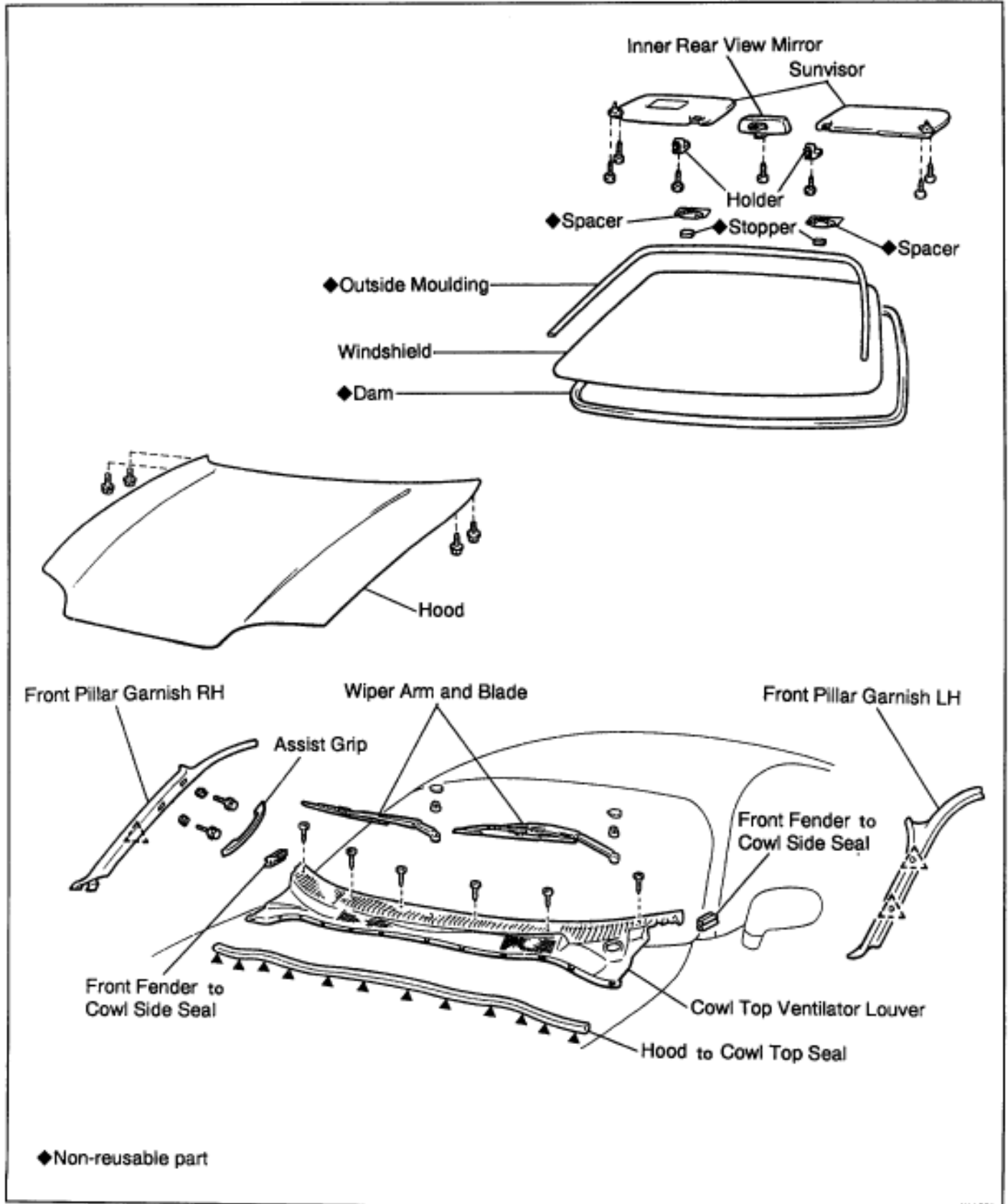
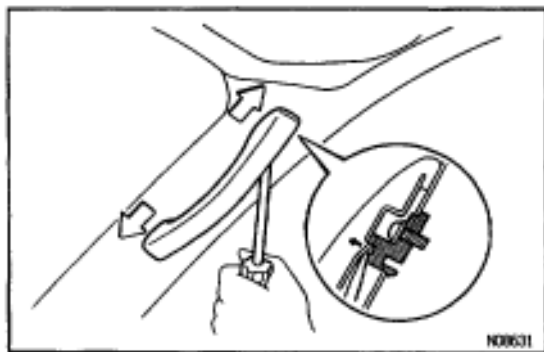


# WINDSHIELD COMPONENTS

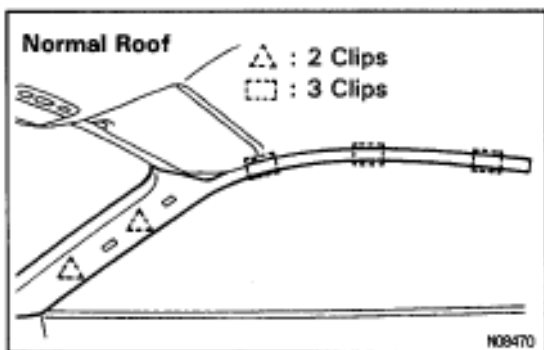




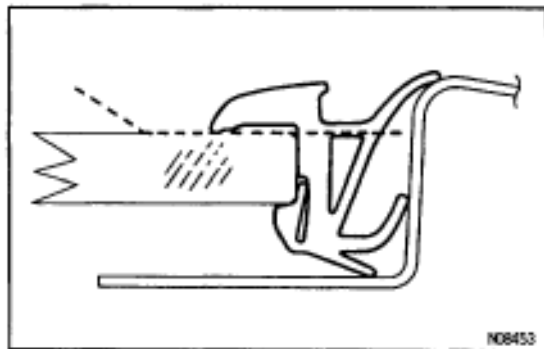
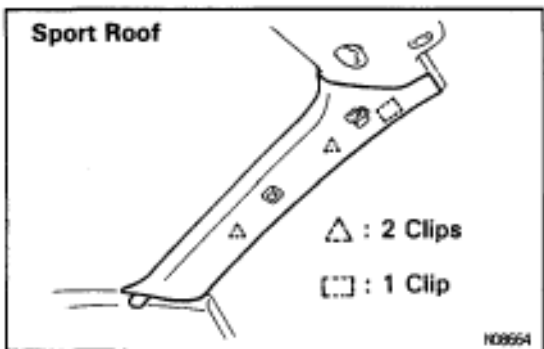
## WINDSHIELD REMOVAL

### 1. REMOVE THESE PARTS:

- (a) Inner rear view mirror
- (b) Sunvisors and holders
- (c) Assist grip



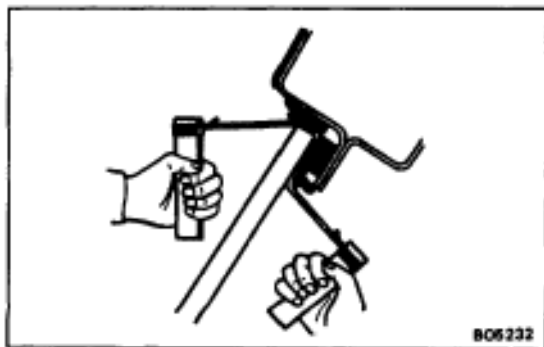
- (d) Front pillar garnishes
- (e) Hood
- (f) Wiper arms and blades
- (g) Cowl top ventilator louver



### 2. REMOVE WINDSHIELD MOULDING

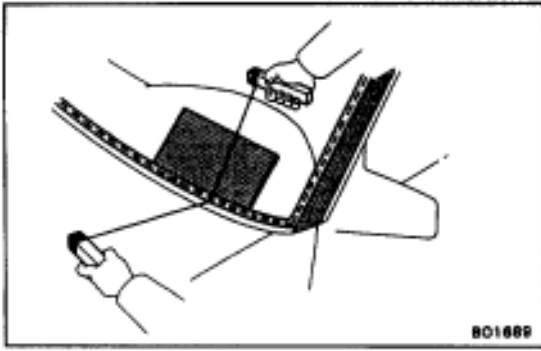
Using a knife, cut off the moulding as shown.

**NOTICE:** Do not damage the body with the knife.



### 3. REMOVE WINDSHIELD GLASS

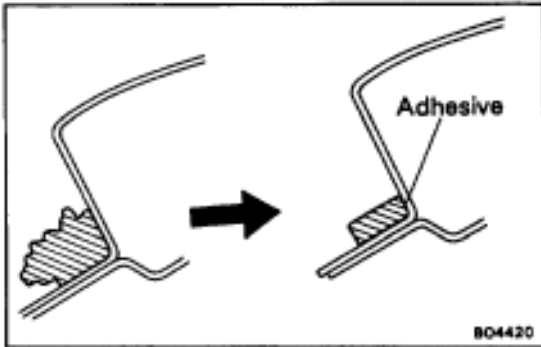
- (a) Push piano wire through from the interior.
  - (b) Tie both wire ends to a wooden block or similar object.
- HINT: Apply adhesive tape to the outer surface of the glass to keep the surface from being scratched.



**NOTICE:** When separating the glass, take care not to damage the paint and interior and exterior ornaments. To prevent scratching the instrument panel when removing the windshield, place a plastic sheet between the piano wire and instrument panel.

- (c) Cut the adhesive by pulling the piano wire around it.
- (d) Remove the glass.

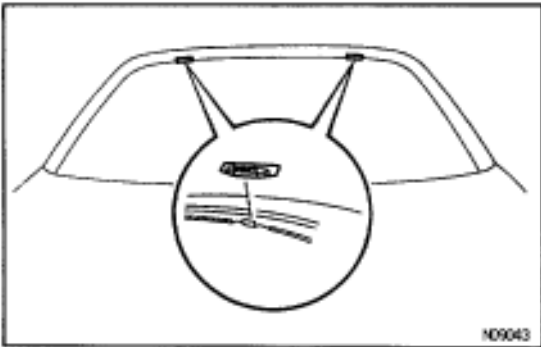
**NOTICE:** Leave as much of the adhesive on the body as possible when cutting off the glass.



## WINDSHIELD INSTALLATION

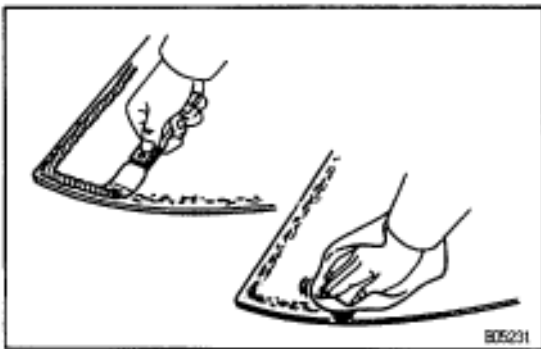
### 1. CLEAN AND SHAPE CONTACT SURFACE OF BODY

- (a) Using a knife, cut away any rough areas on the body.  
HINT: Leave as much of the adhesive on the body as possible.
- (b) Clean the cutting surface of the adhesive with a piece of shop rag saturated in cleaner.  
HINT: Even if all the adhesive has been removed, clean the body.



### 2. INSTALL SPACERS

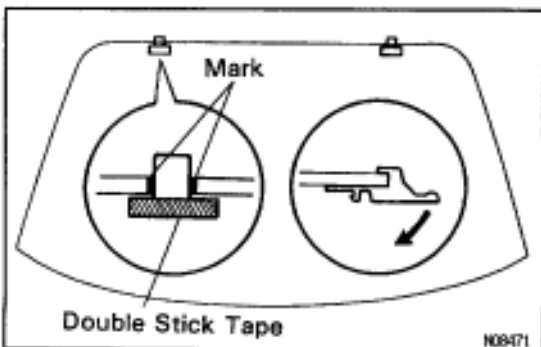
Install the spacers to the body as shown in the illustration.



### 3. CLEAN REMOVED GLASS

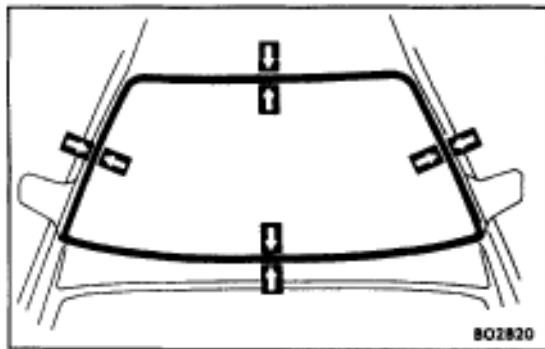
- (a) Using a scraper, remove the adhesive sticking to the glass.
- (b) Clean the glass with cleaner.

**NOTICE:** Do not touch the glass after cleaning it.



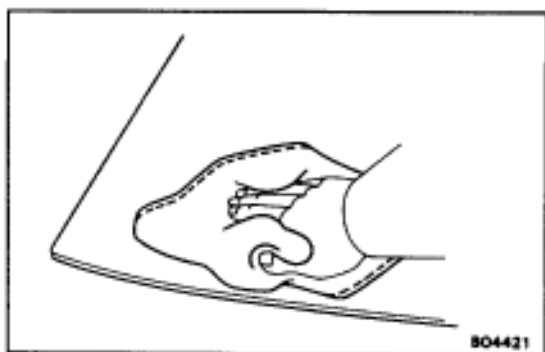
### 4. INSTALL STOPPERS

- (a) Remove adhesive cover from stopper.
- (b) Position the stopper on the edge of the glass as shown on the illustration.
- (c) Break in the protruding part of the stopper.



### 5. POSITION GLASS

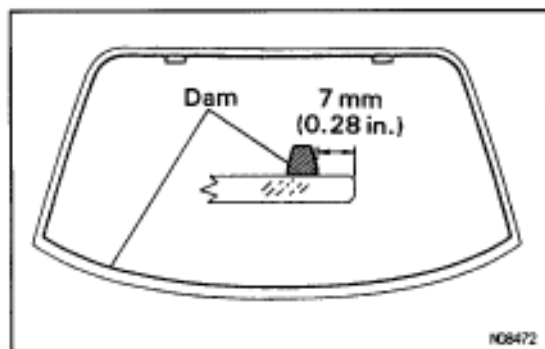
- Place glass in correct position.
- Check that all contacting parts of the glass rim are perfectly even and do not make contact with the fasteners.
- Place reference marks between the glass and body.
- Remove the glass.



### 6. CLEAN CONTACT SURFACE OF GLASS

Using a cleaner, clean the contact surface black colored area around the entire glass rim.

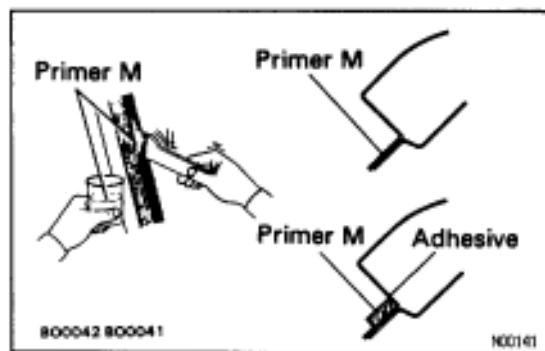
**NOTICE: Do not touch the glass face after cleaning it.**



### 7. INSTALL DAM

Install the dam with double-stick tape all the way around the glass except where the stoppers are installed as shown in the illustration.

**NOTICE: Do not touch the glass face after cleaning it.**

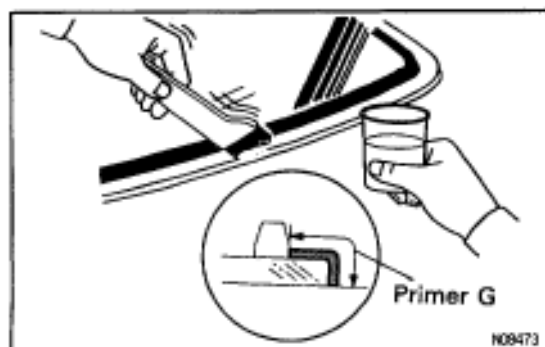


### 8. COAT CONTACT SURFACE OF BODY WITH PRIMER "M"

Using a brush, coat the contact surface on the body with Primer "M".

**NOTICE:**

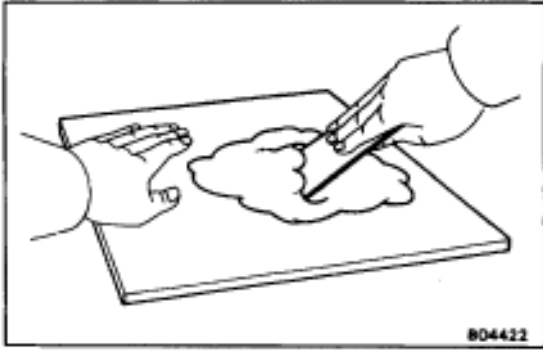
- Let the primer coating dry for 3 minutes or more.
- Do not keep any of the opened primer "M" and "G" for later use.



### 9. COAT CONTACT SURFACE OF GLASS WITH PRIMER "G"

- Using a brush or sponge, coat the edge of the glass and the contact surface with Primer "G".
- Before the Primer dries, wipe it off with a clean shop rag.

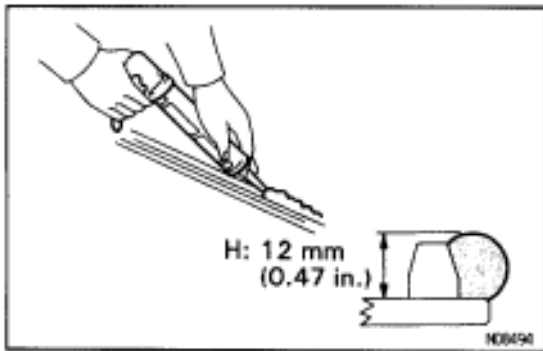
**NOTICE: Let the primer coating dry for 3 minutes or more.**



## 10. MIX ADHESIVE COATING

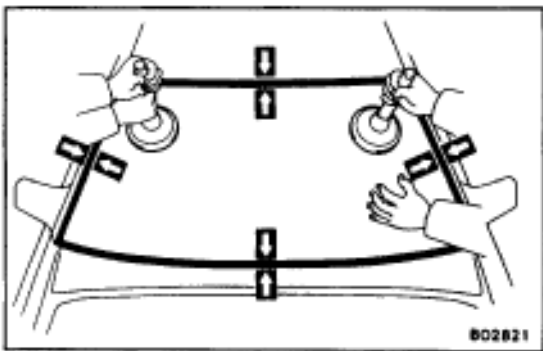
### NOTICE:

- Be sure that installation of the moulding is finished within the adhesive's usable time. (See step 2 on page [BO-7](#))
  - The mixture should be made in 5 minutes or less.
- (a) Thoroughly clean the glass plate and putty spatula with solvent.
  - (b) Thoroughly mix 500 g (17.64 oz.) of the main agent and 75 g (2.65 oz.) of the hardening agent on a glass plate or similar object with a putty spatula.



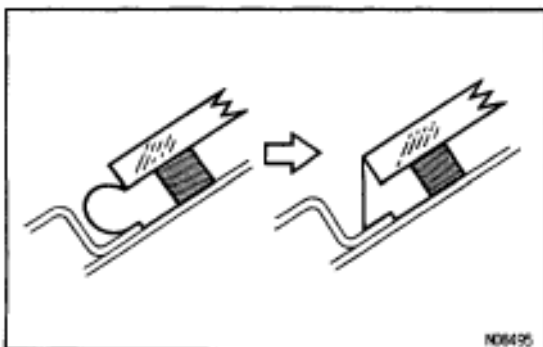
## 11. APPLY ADHESIVE

- (a) Cut off the tip of the cartridge nozzle. Fill the cartridge with adhesive.
  - (b) Load the cartridge into the sealer gun.
  - (c) Coat the glass with adhesive as shown.
- H: 12 mm (0.47 in.)**

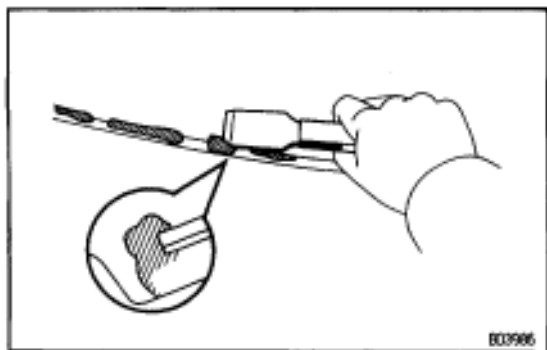


## 12. INSTALL GLASS

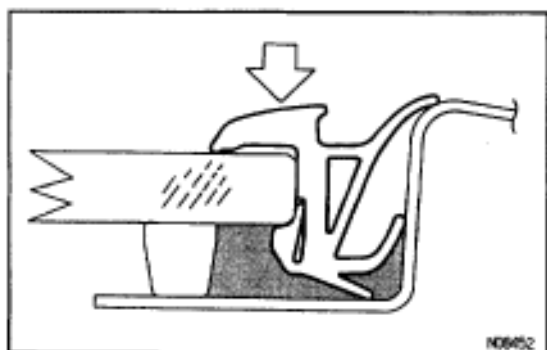
- (a) Position the glass so that the reference marks are lined up, and press in gently along the rim.



- (b) Using a spatula, apply adhesive on the glass rim.  
HINT: Confirm that the dam is attached to the body panel as shown in the illustration.



- (c) Use a scraper to remove any excess or protruding adhesive.
- (d) Fasten glass securely until the adhesive sets.



### 13. INSTALL WINDSHIELD MOULDING

Place the moulding onto the body and install it by hand.

### 14. INSPECT FOR LEAKS AND REPAIR

- (a) Do a leak test after the hardening time has elapsed.
- (b) Seal any leak with auto glass sealer.

**Part No. 08833-00030**

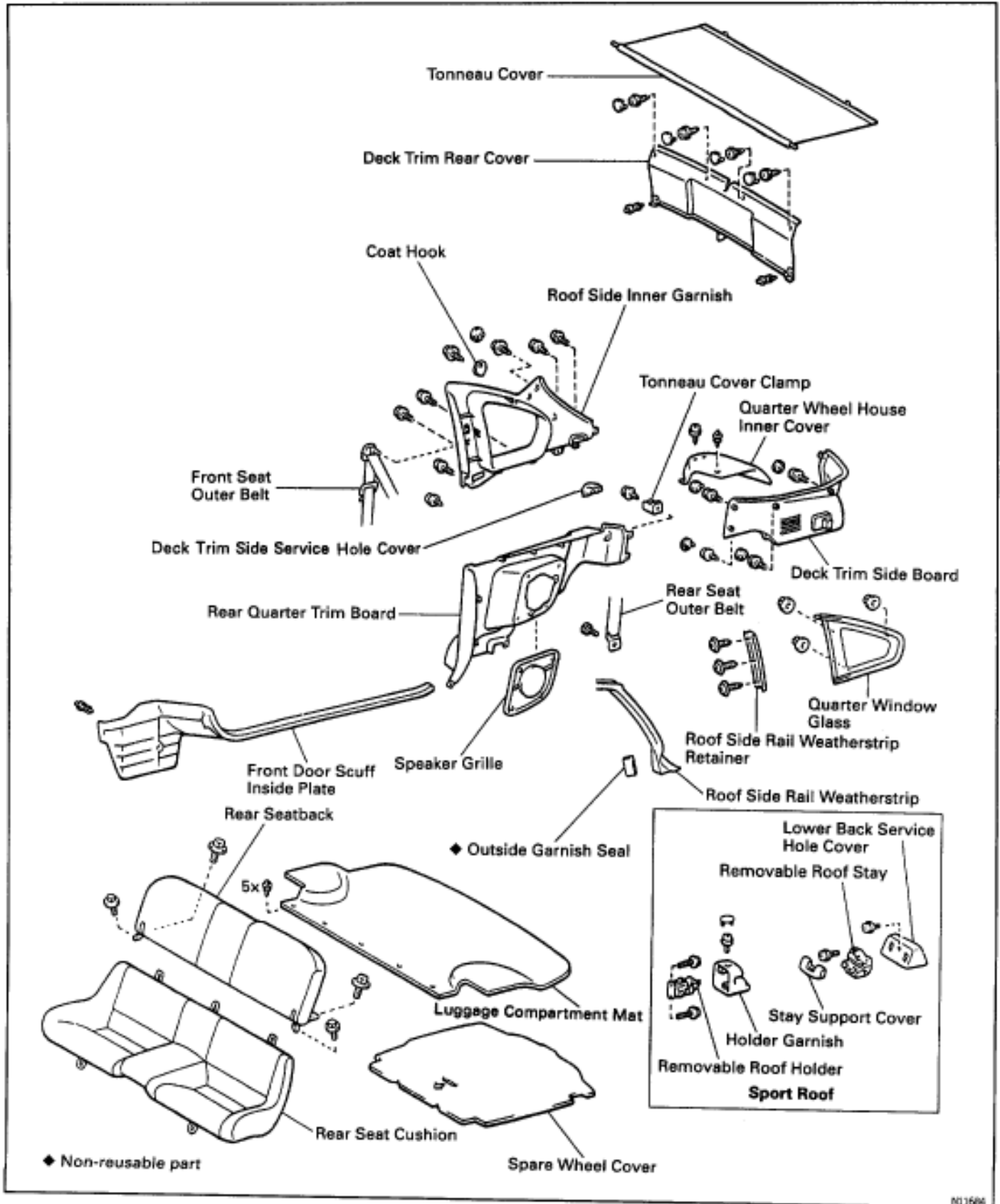
### 15. INSTALL THESE PARTS:

- (a) Cowl top ventilator louver
- (b) Wiper arms and blades
- (c) Hood
- (d) Front pillar garnishes
- (e) Assist grip
- (f) Sunvisors and holders
- (g) Inner rear view mirror

**Torque: 22 N·m (225 kgf·cm, 16 ft·lbf)**

**Torque: 13 N·m (130 kgf·cm, 9.4 ft·lbf)**

# QUARTER WINDOW GLASS COMPONENTS

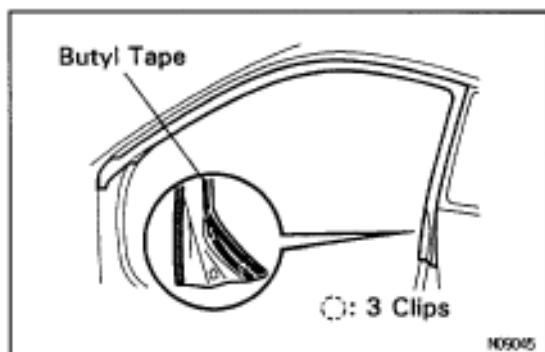


## QUARTER WINDOW GLASS REMOVAL

### 1. REMOVE THESE PARTS:

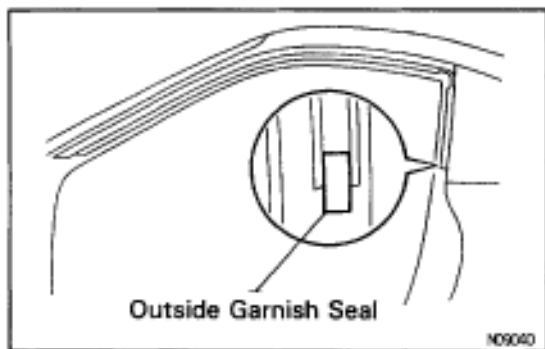
(See pages BO-59 to BO-61)

- (a) Tonneau cover
- (b) Luggage compartment mat
- (c) Spare wheel cover
- (d) Rear seatback
- (e) Removable roof stay RH and LH (Sport roof)
- (f) Deck trim rear cover
- (g) Removable roof holder (Sport roof)
- (h) Quarter wheel house inner cover
- (i) Speaker grille
- (j) Deck trim side board
- (k) Front door scuff inside plate
- (l) Rear quarter trim board
- (m) Front seat outer belt shoulder anchor
- (n) Rear seat outer belt floor anchor
- (o) Roof side inner garnish
- (p) Rear roof headlining (Sport roof)



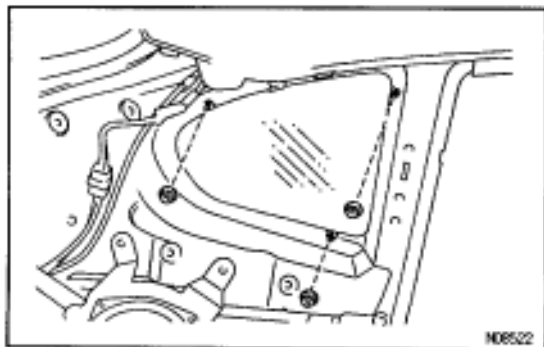
### 2. REMOVE ROOF SIDE RAIL WEATHERSTRIP

- (a) Using the clip remover, remove 3 clips from the rear side of the weatherstrip.
- (b) Remove the rear side of the weatherstrip from the retainer.



### 3. REMOVE ROOF SIDE RAIL WEATHERSTRIP RETAINER

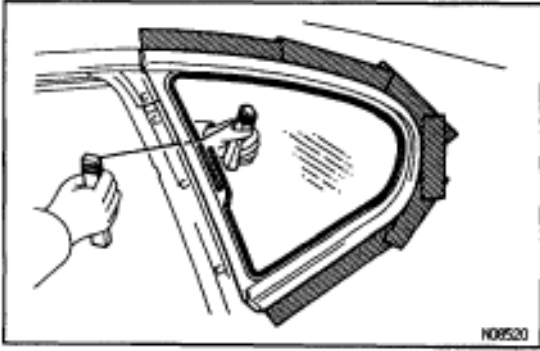
Remove the outside garnish seal and retainer.



### 4. REMOVE QUARTER WINDOW GLASS

- (a) Remove the 3 nuts.

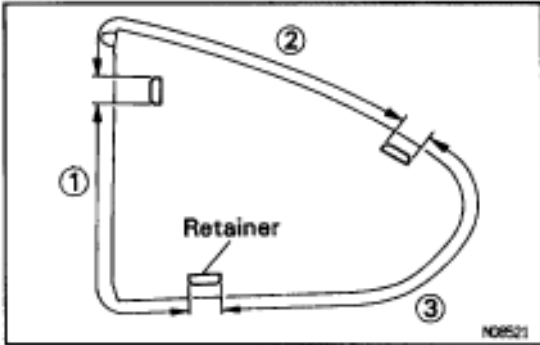




- (b) Push piano wire through from the interior.
- (c) Tie both wire ends to a wooden block or similar object.  
HINT: Apply adhesive tape to the outer surface to keep the surface from being scratched.

**NOTICE: When separating the glass, take care not to damage the paint and exterior.**

- (d) Cut the adhesive by pulling the piano wire around it.  
HINT: Cut the adhesive areas in the order as shown in the illustration, so leave the adhesive where the glass retainer stays.

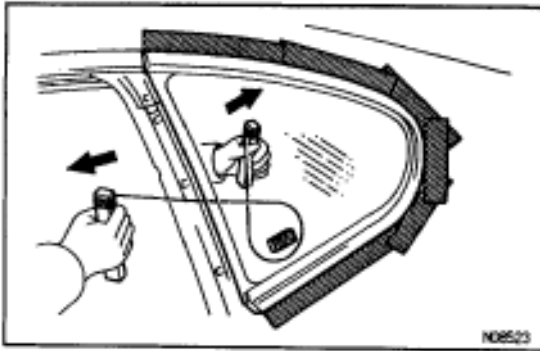


- (e) Let the piano wire pass as shown on the illustration and cut the rest of adhesive by pulling the piano wire.

**NOTICE: Do not damage the glass retainers.**

- (f) Remove the glass.

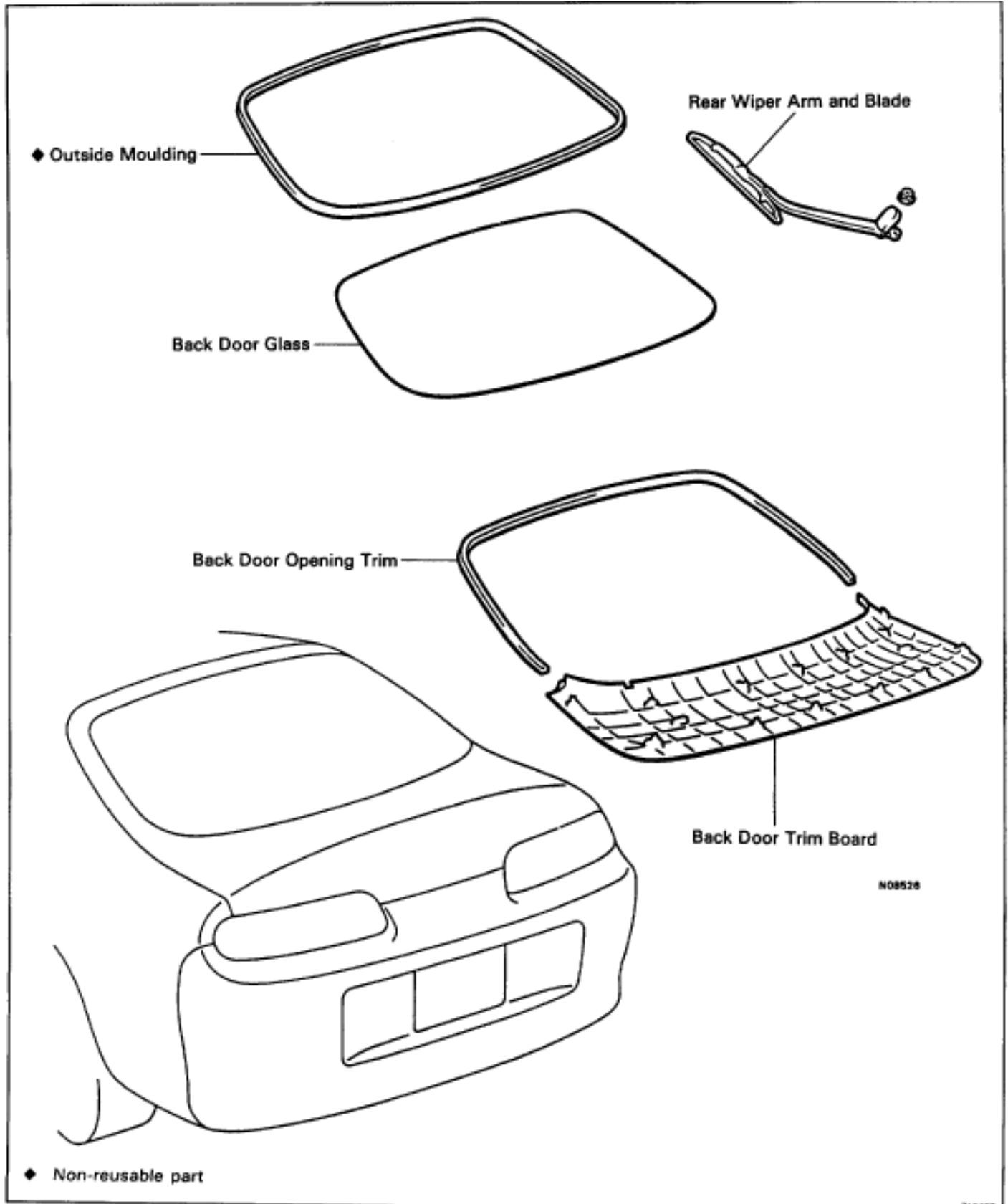
**NOTICE: Leave as much of the adhesive on the body as possible when cutting off the glass.**

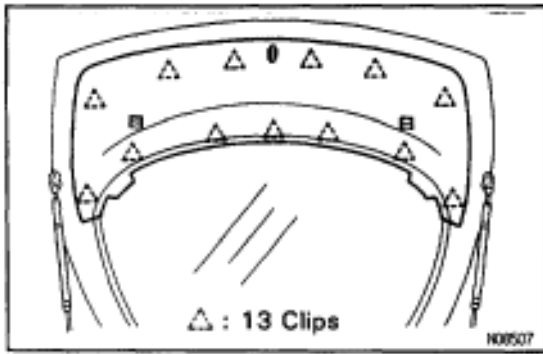


## QUARTER WINDOW GLASS INSTALLATION

Installation is in the reverse order of removal.

# BACK DOOR MOULDING AND GLASS COMPONENTS



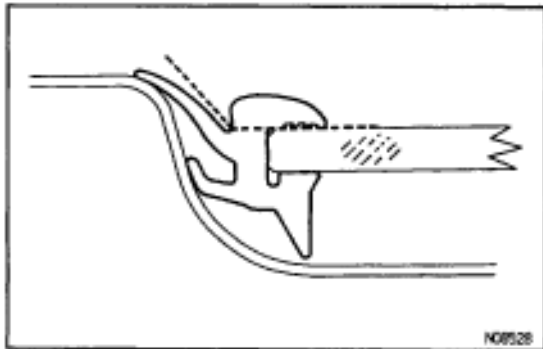


## BACK DOOR MOULDING AND GLASS REMOVAL

### 1. DISCONNECT DEFOGGER CONNECTOR

### 2. REMOVE THESE PARTS:

- (a) Rear wiper arm and blade
- (b) Back door trim board
- (c) Back door opening trim



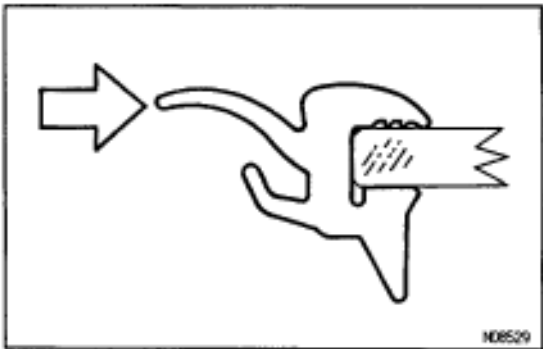
### 3. REMOVE BACK DOOR MOULDING

Using a knife, cut off the moulding as shown.

**NOTICE:** Do not damage the body with the knife.

### 4. REMOVE BACK DOOR GLASS AND MOULDING

**HINT:** Remove the glass and moulding in the same manner as the windshield. (See pages [BO-31](#) and 32)

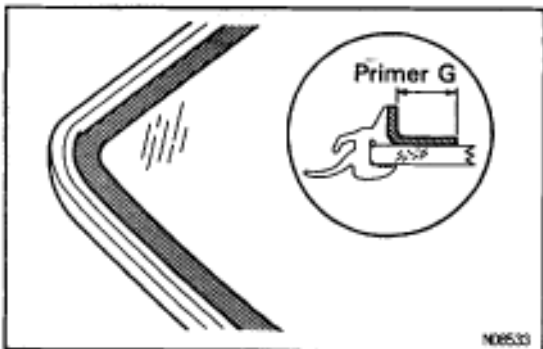


## BACK DOOR MOULDING AND GLASS INSTALLATION

### 1. INSTALL BACK DOOR MOULDING

Place the moulding around the glass and install it by hand.

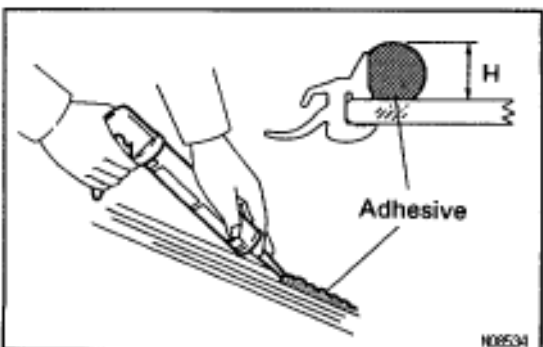
**HINT:** Always remove the back door glass to install the moulding.



### 2. INSTALL BACK DOOR GLASS

**HINT:** Install the glass in the same manner as the windshield. (See pages [BO-32](#) to 35)

- (a) Coat contact surface of the glass with primer "G".



- (b) Apply adhesive.

**H:** 12 mm (0.47 in.)

### 3. INSTALL THESE PARTS:

- (a) Back door opening trim
- (b) Back door trim board
- (c) Rear wiper arm and blade

**Torque:** 11 N·m (110 kgf·cm, 8.0 ft·lbf)

### 4. CONNECT DEFOGGER CONNECTOR