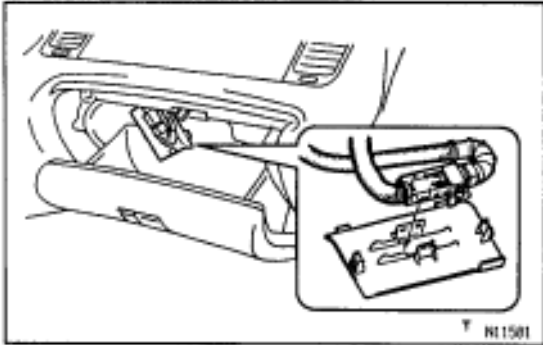


## FRONT PASSENGER AIRBAG ASSEMBLY REMOVAL AND INSTALLATION

### NOTICE:

- If the wiring connector of the SRS is disconnected with the ignition switch at ON or ACC, diagnostic trouble codes will be recorded.
- Never use airbag parts from another vehicle. When replacing parts, replace with new parts.



### 1. DISCONNECT AIRBAG CONNECTOR

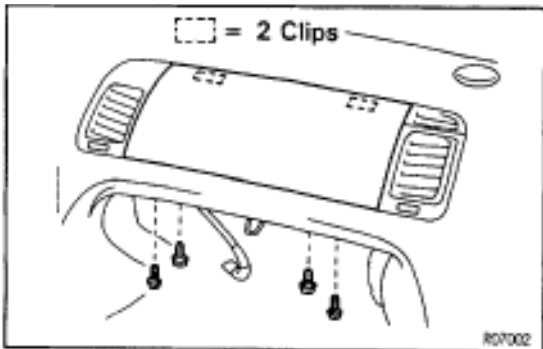
- Remove negative (-) terminal cable from the battery, and wait at least 90 seconds.
- Remove the glove compartment door finish plate inside the instrument panel box.

**NOTICE:** When handling the airbag connector, take care not to damage the airbag wire harness.

- Pull up the connector.
- Disconnect the airbag connector.

### 2. REMOVE THESE PARTS:

- Instrument panel box  
(See page [BO-49](#))
- Heater to register duct No. 4



### 3. REMOVE FRONT PASSENGER AIRBAG ASSEMBLY

- Remove the 4 bolts.
- Pull the front passenger airbag assembly to remove it.

### CAUTION:

- Do not store the front passenger airbag assembly with the airbag door facing down.
- Never disassemble the front passenger airbag assembly.

### 4. INSTALL FRONT PASSENGER AIRBAG ASSEMBLY

- Install the front passenger airbag assembly.
- Install the 2 bolts to instrument panel reinforcement.

**Torque: 21 N·m (210 kgf·cm, 15 ft·lbf)**

- Install the 2 bolts to instrument panel.

**Torque: 8.8 N·m (90 kgf·cm, 78 in·lbf)**

### NOTICE:

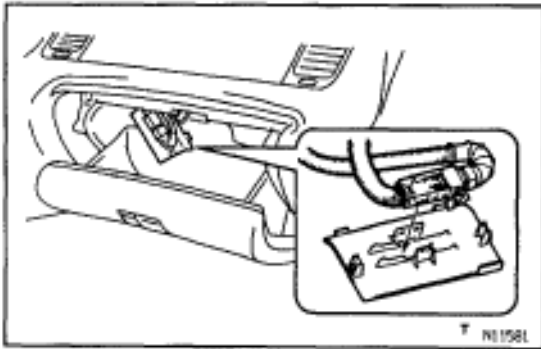
- Make sure the front passenger airbag assembly is installed to the specified torque.

- If the front passenger airbag assembly has been dropped, or there are cracks, dents or other defects in the case or connector, replace the front passenger airbag assembly with a new one.
- Adhesive has been applied to the 2 instrument panel bolts. When the front passenger airbag assembly is removed, always replace the bolts with new ones.
- When installing the front passenger airbag assembly, take care that the wirings do not interfere with other parts and are not pinched between other parts.

#### 5. INSTALL THESE PARTS:

- (a) Heater to register duct No. 4
- (b) Instrument panel box  
(See page [BO-49](#))

**NOTICE:** When installing the instrument panel box, carefully pull out the airbag wire harness from the glove compartment upper hole.



#### 6. CONNECT AIRBAG CONNECTOR

- (a) Connect the airbag connector.
- (b) Put the connector on the glove compartment door finish plate.
- (c) Install the glove compartment door finish plate to the instrument panel box.