

ENGINE CONTROL SYSTEM

SECTION EC

GI

MA

EM

LC

EC

FE

CL

MT

AT

PD

FA

RA

BR

ST

RS

BT

HA

EL

IDX

CONTENTS

DIAGNOSTIC TROUBLE CODE INDEX	2	ON BOARD DIAGNOSTIC SYSTEM	
Alphabetical & P No. Index for DTC	2	DESCRIPTION	34
PRECAUTIONS AND PREPARATION	4	Introduction	34
Special Service Tools	4	Two Trip Detection Logic	34
Commercial Service Tools	4	Emission-related Diagnostic Information	35
Supplemental Restraint System (SRS) "AIR		Malfunction Indicator Lamp (MIL).....	46
BAG".....	5	OBD System Operation Chart.....	49
Precautions for On Board Diagnostic (OBD)		CONSULT	54
System of Engine and A/T.....	5	Generic Scan Tool (GST)	67
Engine Fuel & Emission Control System	6	TROUBLE DIAGNOSIS — Introduction	69
Precautions	7	Introduction	69
ENGINE AND EMISSION CONTROL OVERALL		Diagnostic Worksheet.....	69
SYSTEM	9	TROUBLE DIAGNOSIS — Work Flow	71
Circuit Diagram	9	Work Flow	71
ECCS Component Parts Location.....	10	Description for Work Flow	72
System Diagram	12	TROUBLE DIAGNOSIS — Basic Inspection	73
Vacuum Hose Drawing	13	Basic Inspection.....	73
System Chart.....	14	TROUBLE DIAGNOSIS — General Description	76
ENGINE AND EMISSION BASIC CONTROL		Diagnostic Trouble Code (DTC) Inspection	
SYSTEM DESCRIPTION	15	Priority Chart.....	76
Multiport Fuel Injection (MFI) System	15	Fail-Safe Chart.....	77
Distributor Ignition (DI) System	17	Symptom Matrix Chart.....	78
Air Conditioning Cut Control.....	18	CONSULT Reference Value in Data Monitor	
Fuel Cut Control (at no load & high engine		Mode.....	81
speed).....	19	Major Sensor Reference Graph in Data Monitor	
EVAPORATIVE EMISSION SYSTEM	20	Mode.....	84
Description.....	20	ECM Terminals and Reference Value	86
Inspection.....	20	TROUBLE DIAGNOSIS FOR INTERMITTENT	
Evaporative Emission Line Drawing.....	23	INCIDENT	96
POSITIVE CRANKCASE VENTILATION	25	Description	96
Description	25	Common I/I Report Situations	96
Inspection.....	25	Diagnostic Procedure	96
BASIC SERVICE PROCEDURE	26	TROUBLE DIAGNOSIS FOR POWER SUPPLY	97
Fuel Pressure Release	26	Main Power Supply and Ground Circuit.....	97
Fuel Pressure Check.....	26	TROUBLE DIAGNOSIS FOR DTC P0100	102
Fuel Pressure Regulator Check	27	Mass Air Flow Sensor (MAFS)	102
Injector Removal and Installation	27	TROUBLE DIAGNOSIS FOR DTC P0105	111
Idle Speed/Ignition Timing/Idle Mixture Ratio		Absolute Pressure Sensor.....	111
Adjustment.....	28		

CONTENTS (Cont'd)

TROUBLE DIAGNOSIS FOR DTC P0110	119	TROUBLE DIAGNOSIS FOR DTC P0335	232
Intake Air Temperature Sensor.....	119	Crankshaft Position Sensor (CKPS) (OBD).....	232
TROUBLE DIAGNOSIS FOR DTC P0115	125	TROUBLE DIAGNOSIS FOR DTC P0340	237
Engine Coolant Temperature Sensor (ECTS)		Camshaft Position Sensor (CMPS).....	237
(Circuit).....	125	TROUBLE DIAGNOSIS FOR DTC P0400	243
TROUBLE DIAGNOSIS FOR DTC P0120	130	EGR Function (Close).....	243
Throttle Position Sensor.....	130	TROUBLE DIAGNOSIS FOR DTC P0402	251
TROUBLE DIAGNOSIS FOR DTC P0125	141	EGRC-BPT Valve Function.....	251
Engine Coolant Temperature (ECT) Sensor.....	141	TROUBLE DIAGNOSIS FOR DTC P0420	256
TROUBLE DIAGNOSIS FOR DTC P0130	146	Three Way Catalyst Function.....	256
Front Heated Oxygen Sensor (Circuit) (Front		TROUBLE DIAGNOSIS FOR DTC P0440	260
HO2S).....	146	Evaporative Emission (EVAP) Control System	
TROUBLE DIAGNOSIS FOR DTC P0131	152	(Small Leak) (Negative Pressure).....	260
Front Heated Oxygen Sensor (Lean Shift		TROUBLE DIAGNOSIS FOR DTC P0443	271
Monitoring) (Front HO2S).....	152	Evaporative Emission (EVAP) Canister Purge	
TROUBLE DIAGNOSIS FOR DTC P0132	158	Volume Control Valve (Circuit).....	271
Front Heated Oxygen Sensor (Rich Shift		TROUBLE DIAGNOSIS FOR DTC P0446	277
Monitoring) (Front HO2S).....	158	Evaporative Emission (EVAP) Canister Vent	
TROUBLE DIAGNOSIS FOR DTC P0133	164	Control Valve (Circuit).....	277
Front Heated Oxygen Sensor (Response		TROUBLE DIAGNOSIS FOR DTC P0450	282
Monitoring) (Front HO2S).....	164	Evaporative Emission (EVAP) Control System	
TROUBLE DIAGNOSIS FOR DTC P0134	172	Pressure Sensor.....	282
Front Heated Oxygen Sensor (High Voltage)		TROUBLE DIAGNOSIS FOR DTC P0500	287
(Front HO2S).....	172	Vehicle Speed Sensor (VSS).....	287
TROUBLE DIAGNOSIS FOR DTC P0135	177	TROUBLE DIAGNOSIS FOR DTC P0505	291
Front Heated Oxygen Sensor Heater.....	177	Idle Air Control Valve (IACV) — Auxiliary Air	
TROUBLE DIAGNOSIS FOR DTC P0137	181	Control (AAC) Valve.....	291
Rear Heated Oxygen Sensor (Min. Voltage		TROUBLE DIAGNOSIS FOR DTC P0510	298
Monitoring) (Rear HO2S).....	181	Closed Throttle Position Switch.....	298
TROUBLE DIAGNOSIS FOR DTC P0138	188	TROUBLE DIAGNOSIS FOR DTC P0600	303
Rear Heated Oxygen Sensor (Max. Voltage		A/T Control.....	303
Monitoring) (Rear HO2S).....	188	TROUBLE DIAGNOSIS FOR DTC P0605	306
TROUBLE DIAGNOSIS FOR DTC P0139	195	Engine Control Module (ECM)-ECCS Control	
Rear Heated Oxygen Sensor (Response		Module.....	306
Monitoring) (Rear HO2S).....	195	TROUBLE DIAGNOSIS FOR DTC P1105	308
TROUBLE DIAGNOSIS FOR DTC P0140	201	Manifold Absolute Pressure (MAP)/	
Rear Heated Oxygen Sensor (High Voltage)		Barometric Pressure (BARO) Switch Solenoid	
(Rear HO2S).....	201	Valve.....	308
TROUBLE DIAGNOSIS FOR DTC P0141	206	TROUBLE DIAGNOSIS FOR DTC P1148	316
Rear Heated Oxygen Sensor Heater.....	206	Closed Loop Control.....	316
TROUBLE DIAGNOSIS FOR DTC P0171	210	TROUBLE DIAGNOSIS FOR DTC P1320	318
Fuel Injection System Function (Lean side).....	210	Ignition Signal.....	318
TROUBLE DIAGNOSIS FOR DTC P0172	215	TROUBLE DIAGNOSIS FOR DTC P1336	324
Fuel Injection System Function (Rich side).....	215	Crankshaft Position Sensor (CKPS) (OBD)	
TROUBLE DIAGNOSIS FOR DTC P0180	220	(COG).....	324
Tank Fuel Temperature Sensor.....	220	TROUBLE DIAGNOSIS FOR DTC P1400	329
TROUBLE DIAGNOSIS FOR DTC P0300 - P0304	224	EGRC-Solenoid Valve.....	329
No. 4 - 1 Cylinder Misfire, Multiple Cylinder		TROUBLE DIAGNOSIS FOR DTC P1401	334
Misfire.....	224	EGR Temperature Sensor.....	334
TROUBLE DIAGNOSIS FOR DTC P0325	229	TROUBLE DIAGNOSIS FOR DTC P1402	340
Knock Sensor (KS).....	229	EGR Function (Open).....	340

CONTENTS (Cont'd)

TROUBLE DIAGNOSIS FOR DTC P1440347	TROUBLE DIAGNOSIS FOR DTC P1493398	
Evaporative Emission (EVAP) Control System (Small Leak) (Positive Pressure).....347	Evaporative Emission (EVAP) Canister Purge Control Valve/Solenoid Valve398	GI
TROUBLE DIAGNOSIS FOR DTC P1444358	TROUBLE DIAGNOSIS FOR DTC P1605405	
Evaporative Emission (EVAP) Canister Purge Volume Control Valve358	A/T Diagnosis Communication Line405	MA
TROUBLE DIAGNOSIS FOR DTC P1446365	TROUBLE DIAGNOSIS FOR DTC P1706408	
Evaporative Emission (EVAP) Canister Vent Control Valve (Close).....365	Park/Neutral Position Switch408	EM
TROUBLE DIAGNOSIS FOR DTC P1447370	TROUBLE DIAGNOSIS FOR OVERHEAT413	
Evaporative Emission (EVAP) Control System Purge Flow Monitoring.....370	Overheat413	EM
TROUBLE DIAGNOSIS FOR DTC P1448378	TROUBLE DIAGNOSIS FOR NON-DETECTABLE ITEMS425	LC
Evaporative Emission (EVAP) Canister Vent Control Valve (Open)378	Injector425	
TROUBLE DIAGNOSIS FOR DTC P1490383	Start Signal428	EC
Vacuum Cut Valve Bypass Valve (Circuit).....383	Fuel Pump431	
TROUBLE DIAGNOSIS FOR DTC P1491388	Power Steering Oil Pressure Switch436	FE
Vacuum Cut Valve Bypass Valve388	IACV-Air Regulator440	
TROUBLE DIAGNOSIS FOR DTC P1492393	IACV-FICD Solenoid Valve443	CL
Evaporative Emission (EVAP) Canister Purge Control Valve/Solenoid Valve (Circuit).....393	5th Position Switch448	
	Electric Load Signal.....450	MT
	MIL & Data Link Connectors452	
	SERVICE DATA AND SPECIFICATIONS (SDS)453	AT
	General Specifications.....453	
	Inspection and Adjustment453	PD

When you read wiring diagrams:

- Read GI section, "HOW TO READ WIRING DIAGRAMS".
- Read EL section, "POWER SUPPLY ROUTING" for power distribution circuit.

When you perform trouble diagnoses, read GI section, "HOW TO FOLLOW FLOW CHART IN TROUBLE DIAGNOSES" and "HOW TO PERFORM EFFICIENT DIAGNOSIS FOR AN ELECTRICAL INCIDENT".

GI
MA
EM
LC
EC
FE
CL
MT
AT
PD
FA
RA
BR
ST
RS
BT
HA
EL
IDX

DIAGNOSTIC TROUBLE CODE INDEX

Alphabetical & P No. Index for DTC

ALPHABETICAL INDEX FOR DTC

Items (CONSULT screen terms)	DTC*6		Reference page
	CONSULT GST*2	ECM*1	
Unable to access ECCS	—	—	EC-77
*COOLAN T SEN/CIRC	P0125	0908	EC-141
A/T 1ST GR FNCTN	P0731	1103	AT-92
A/T 2ND GR FNCTN	P0732	1104	AT-97
A/T 3RD GR FNCTN	P0733	1105	AT-101
A/T 4TH GR FNCTN	P0734	1106	AT-105
A/T COMM LINE	P0600	—	EC-303
A/T DIAG COMM LINE	P1605	0804	EC-405
A/T TCC S/V FNCTN	P0744	1107	AT-117
ABSL PRES SEN/CIRC	P0105	0803	EC-111
AIR TEMP SEN/CIRC	P0110	0401	EC-119
ATF TEMP SEN/CIRC	P0710	1208	AT-82
CAM POS SEN/CIR	P0340	0101	EC-237
CLOSED LOOP	P1148	0307	EC-316
CLOSED TP SW/CIRC	P0510	0203	EC-298
COOLANT T SEN/CIRC	P0115	0103	EC-125
CPS/CIRC (OBD) COG	P1336	0905	EC-324
CPS/CIRCUIT (OBD)	P0335	0802	EC-232
CYL 1 MISFIRE	P0301	0608	EC-224
CYL 2 MISFIRE	P0302	0607	EC-224
CYL 3 MISFIRE	P0303	0606	EC-224
CYL 4 MISFIRE	P0304	0605	EC-224
ECM	P0605	0301	EC-306
EGR SYSTEM	P0400	0302	EC-243
EGR SYSTEM	P1402	0514	EC-340
EGR TEMP SEN/CIRC	P1401	0305	EC-334
EGRC SOLENOID/V	P1400	1005	EC-329
EGRC-BPT VALVE	P0402	0306	EC-251
ENGINE SPEED SIG*4	P0725	1207	AT-89
EVAP PURG FLOW/MON	P1447	0111	EC-370
EVAP SMALL LEAK	P1440	0213	EC-347
EVAP SMALL LEAK	P0440	0705	EC-260
EVAPO SYS PRES SEN	P0450	0704	EC-282
FRONT O2 SENSOR	P0130	0303	EC-146
FR O2 SEN HEATER	P0135	0901	EC-177
FRONT O2 SENSOR	P0133	0409	EC-164
FRONT O2 SENSOR	P0132	0410	EC-158
FRONT O2 SENSOR	P0131	0411	EC-152
FRONT O2 SENSOR	P0134	0412	EC-172
FUEL SYS DIAG-LEAN	P0171	0115	EC-210
FUEL SYS DIAG-RICH	P0172	0114	EC-215
FUEL TEMP SEN/CIRC	P0180	0402	EC-220
IACV/AAC VLV/CIRC	P0505	0205	EC-291

Items (CONSULT screen terms)	DTC*6		Reference page
	CONSULT GST*2	ECM*1	
IGN SIGNAL-PRIMARY	P1320	0201	EC-318
INHIBITOR SW/CIRC	P0705	1101	AT-78
KNOCK SEN/CIRCUIT	P0325	0304	EC-229
L/PRESS SOL/CIRC	P0745	1205	AT-124
MAF SEN/CIRCUIT*3	P0100	0102	EC-102
MAP/BAR SW SOL/CIR	P1105	1302	EC-308
MULTI CYL MISFIRE	P0300	0701	EC-224
NO SELF DIAGNOSTIC FAILURE INDICATED	P0000	0505	—
NO SELF DIAGNOSTIC FAILURE INDICATED	No DTC	Flash- ing*5	EC-46
O/R CLTCH SOL/CIRC	P1760	1203	AT-142
OVER HEAT	—	0208	EC-413
P-N POS SW/CIRCUIT	P1706	1003	EC-408
PURG CONT/V & S/V	P1493	0312	EC-398
PURG CONT/V S/V	P1492	0807	EC-393
PURG VOLUME CONT/V	P1444	0214	EC-358
PURG VOLUME CONT/V	P0443	1008	EC-271
REAR O2 SENSOR	P0138	0510	EC-188
REAR O2 SENSOR	P0137	0511	EC-181
REAR O2 SENSOR	P0140	0512	EC-201
REAR O2 SENSOR	P0139	0707	EC-195
RR O2 SEN HEATER	P0141	0902	EC-206
SFT SOL A/CIRC*3	P0750	1108	AT-128
SFT SOL B/CIRC*3	P0755	1201	AT-132
TCC SOLENOID/CIRC	P0740	1204	AT-113
THRTL POS SEN/CIRC*3	P0120	0403	EC-130
TP SEN/CIRC A/T*3	P1705	1206	AT-136
TW CATALYST SYSTEM	P0420	0702	EC-256
VC CUT/V BYPASS/V	P1491	0311	EC-388
VC/V BYPASS/V	P1490	0801	EC-383
VEH SPD SEN/CIR AT*4	P0720	1102	AT-86
VEH SPEED SEN/CIRC	P0500	0104	EC-287
VENT CONTROL VALVE	P1446	0215	EC-365
VENT CONTROL VALVE	P1448	0309	EC-378
VENT CONTROL VALVE	P0446	0903	EC-277

*1: In Diagnostic Test Mode II (Self-diagnostic results). These numbers are controlled by NISSAN.

*2: These numbers are prescribed by SAE J2012.

*3: When the fail-safe operation occurs, the MIL illuminates.

*4: The MIL illuminates after TCM (Transmission control module) enters the fail-safe mode in two consecutive trips, if both the "Revolution sensor" and the "Engine speed signal" meet the fail-safe condition at the same time.

*5: While engine is running.

*6: 1st trip DTC No. is the same as DTC No.

DIAGNOSTIC TROUBLE CODE INDEX

Alphabetical & P No. Index for DTC (Cont'd)

P NO. INDEX FOR DTC

DTC*6		Items (CONSULT screen terms)	Reference page
CONSULT GST*2	ECM*1		
—	—	Unable to access ECCS	EC-77
No DTC	Flash- ing*5	NO SELF DIAGNOSTIC FAILURE INDICATED	EC-46
P0000	0505	NO SELF DIAGNOSTIC FAILURE INDICATED	—
P0100	0102	MAF SEN/CIRCUIT*3	EC-102
P0105	0803	ABSL PRES SEN/CIRC	EC-111
P0110	0401	AIR TEMP SEN/CIRC	EC-119
P0115	0103	COOLANT T SEN/CIRC	EC-125
P0120	0403	THRTL POS SEN/CIRC*3	EC-130
P0125	0908	*COOLAN T SEN/CIRC	EC-141
P0130	0303	FRONT O2 SENSOR	EC-146
P0131	0411	FRONT O2 SENSOR	EC-152
P0132	0410	FRONT O2 SENSOR	EC-158
P0133	0409	FRONT O2 SENSOR	EC-164
P0134	0412	FRONT O2 SENSOR	EC-172
P0135	0901	FR O2 SEN HEATER	EC-177
P0137	0511	REAR O2 SENSOR	EC-181
P0138	0510	REAR O2 SENSOR	EC-188
P0139	0707	REAR O2 SENSOR	EC-195
P0140	0512	REAR O2 SENSOR	EC-201
P0141	0902	RR O2 SEN HEATER	EC-206
P0171	0115	FUEL SYS DIAG-LEAN	EC-210
P0172	0114	FUEL SYS DIAG-RICH	EC-215
P0180	0402	FUEL TEMP SEN/CIRC	EC-220
P0300	0701	MULTI CYL MISFIRE	EC-224
P0301	0608	CYL 1 MISFIRE	EC-224
P0302	0607	CYL 2 MISFIRE	EC-224
P0303	0606	CYL 3 MISFIRE	EC-224
P0304	0605	CYL 4 MISFIRE	EC-224
P0325	0304	KNOCK SEN/CIRCUIT	EC-229
P0335	0802	CPS/CIRCUIT (OBD)	EC-232
P0340	0101	CAM POS SEN/CIR	EC-237
P0400	0302	EGR SYSTEM	EC-243
P0402	0306	EGRC-BPT VALVE	EC-251
P0420	0702	TW CATALYST SYSTEM	EC-256
P0440	0705	EVAP SMALL LEAK	EC-260
P0443	1008	PURG VOLUME CONT/V	EC-271
P0446	0903	VENT CONTROL VALVE	EC-277
P0450	0704	EVAP SYS PRES SEN	EC-282
P0500	0104	VEH SPEED SEN/CIRC	EC-287
P0505	0205	IACV/AAC VLV/CIRC	EC-291
P0510	0203	CLOSED TP SW/CIRC	EC-298
P0600	—	A/T COMM LINE	EC-303

DTC*6		Items (CONSULT screen terms)	Reference page
CONSULT GST*2	ECM*1		
P0605	0301	ECM	EC-306
P0705	1101	INHIBITOR SW/CIRC	AT-78
P0710	1208	ATF TEMP SEN/CIRC	AT-82
P0720	1102	VEH SPD SEN/CIR AT*4	AT-86
P0725	1207	ENGINE SPEED SIG*4	AT-89
P0731	1103	A/T 1ST GR FNCTN	AT-92
P0732	1104	A/T 2ND GR FNCTN	AT-97
P0733	1105	A/T 3RD GR FNCTN	AT-101
P0734	1106	A/T 4TH GR FNCTN	AT-105
P0740	1204	TCC SOLENOID/CIRC	AT-113
P0744	1107	A/T TCC S/V FNCTN	AT-117
P0745	1205	L/PRESS SOL/CIRC	AT-124
P0750	1108	SFT SOL A/CIRC*3	AT-128
P0755	1201	SFT SOL B/CIRC*3	AT-132
P1105	1302	MAP/BAR SW SOL/CIR	EC-308
P1148	0307	CLOSED LOOP	EC-316
P1320	0201	IGN SIGNAL-PRIMARY	EC-318
P1336	0905	CPS/CIRC (OBD) COG	EC-324
P1400	1005	EGRC SOLENOID/V	EC-329
P1401	0305	EGR TEMP SEN/CIRC	EC-334
P1402	0514	EGR SYSTEM	EC-340
P1440	0213	EVAP SMALL LEAK	EC-347
P1444	0214	PURG VOLUME CONT/V	EC-358
P1446	0215	VENT CONTROL VALVE	EC-365
P1447	0111	EVAP PURG FLOW/MON	EC-370
P1448	0309	VENT CONTROL VALVE	EC-378
P1490	0801	VC/V BYPASS/V	EC-383
P1491	0311	VC CUT/V BYPASS/V	EC-388
P1492	0807	PURG CONT/V S/V	EC-393
P1493	0312	PURG CONT/V & S/V	EC-398
P1605	0804	A/T DIAG COMM LINE	EC-405
P1705	1206	TP SEN/CIRC A/T*3	AT-136
P1706	1003	P-N POS SW/CIRCUIT	EC-408
P1760	1203	O/R CLTCH SOL/CIRC	AT-142
—	0208	OVERHEAT	EC-413

*1: In Diagnostic Test Mode II (Self-diagnostic results). These numbers are controlled by NISSAN.

*2: These numbers are prescribed by SAE J2012.

*3: When the fail-safe operation occurs, the MIL illuminates.

*4: The MIL illuminates after TCM (Transmission control mod-
ule) enters the fail-safe mode in two consecutive trips, if
both the "Revolution sensor" and the "Engine speed
signal" meet the fail-safe condition at the same time.

*5: While engine is running.

*6: 1st trip DTC No. is the same as DTC No.

GI

MA

EM

LC

EC

FE

CL

MT

AT

PD

FA

RA

BR

ST

RS

BT

HA

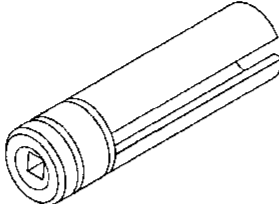
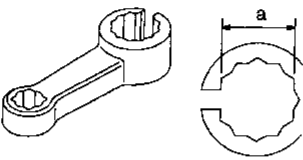
EL

IDX

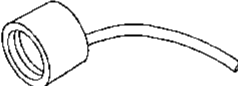
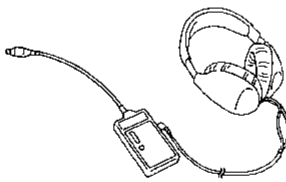
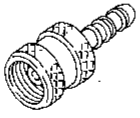
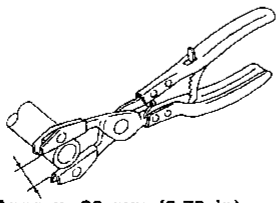
PRECAUTIONS AND PREPARATION

Special Service Tools

The actual shapes of Kent-Moore tools may differ from those of special service tools illustrated here.

Tool number (Kent-Moore No.) Tool name	Description
KV10117100 (J36471-A) Heated oxygen sensor wrench	 <p style="text-align: center;">NT379</p> <p style="text-align: right;">Loosening or tightening front heated oxygen sensor with 22 mm (0.87 in) hexagon nut</p>
KV10114400 (J-38365) Heated oxygen sensor wrench	 <p style="text-align: center;">NT636</p> <p style="text-align: right;">Loosening or tightening rear heated oxygen sensor</p> <p style="text-align: right;">a: 22 mm (0.87 in)</p>

Commercial Service Tools

Tool name	Description
Fuel filler cap adapter	 <p style="text-align: center;">NT653</p> <p style="text-align: right;">Checking fuel tank vacuum relief valve opening pressure</p>
Leak detector (J41416)	 <p style="text-align: center;">NT703</p> <p style="text-align: right;">When locating the EVAP leak.</p>
EVAP service port adapter (J41413-OBD)	 <p style="text-align: center;">NT704</p> <p style="text-align: right;">When applying positive pressure through EVAP service port.</p>
Hose clipper (—)	 <p style="text-align: center;">NT720</p> <p style="text-align: right;">Approx. 20 mm (0.79 in)</p> <p style="text-align: right;">This tool is used to clamp the EVAP purge hose between the fuel tank and EVAP canister applied to DTC P1440 [EVAP control system (Small leak — Positive pressure)].</p>

PRECAUTIONS AND PREPARATION

Supplemental Restraint System (SRS) "AIR BAG"

The Supplemental Restraint System "AIR BAG", used along with a seat belt, helps to reduce the risk or severity of injury to the driver and front passenger in a frontal collision. The Supplemental Restraint System consists of air bag modules (located in the center of the steering wheel and in the instrument panel on the passenger side), a diagnosis sensor unit, warning lamp, wiring harness and spiral cable. Information necessary to service the system safely is included in the **RS section** of this Service Manual.

WARNING:

- To avoid rendering the SRS inoperative, which could increase the risk of personal injury or death in the event of a collision which would result in air bag inflation, all maintenance must be performed by an authorized NISSAN dealer.
- Improper maintenance, including incorrect removal and installation of the SRS, can lead to personal injury caused by unintentional activation of the system.
- Do not use electrical test equipment on any circuit related to the SRS unless instructed to in this Service Manual. SRS wiring harnesses are covered with yellow insulation just before the harness connectors for easy identification.

Precautions for On Board Diagnostic (OBD) System of Engine and A/T

The ECM (ECCS control module) has an on board diagnostic system. It will light up the malfunction indicator lamp (MIL) to warn the driver of a malfunction causing emission deterioration.

CAUTION:

- Be sure to turn the ignition switch "OFF" and disconnect the negative battery terminal before any repair or inspection work. The open/short circuit of related switches, sensors, solenoid valves, etc. will cause the MIL to light up.
- Be sure to connect and lock the connectors securely after work. A loose (unlocked) connector will cause the MIL to light up due to the open circuit. (Be sure the connector is free from water, grease, dirt, bent terminals, etc.)
- Be sure to route and secure the harnesses properly after work. The interference of the harness with a bracket, etc. may cause the MIL to light up due to the short circuit.
- Be sure to connect rubber tubes properly after work. A misconnected or disconnected rubber tube may cause the MIL to light up due to the malfunction of the EGR system or fuel injection system, etc.
- Be sure to erase the unnecessary malfunction information (repairs completed) from the ECM and TCM (Transmission control module) before returning the vehicle to the customer.

GI

MA

EM

LC

EC

FE

CL

MT

AT

PD

FA

RA

BR

ST

RS

BT

HA

EL

IDX

PRECAUTIONS AND PREPARATION

Engine Fuel & Emission Control System

ECM

- Do not disassemble ECM (ECCS control module).
- Do not turn diagnosis mode selector forcibly.
- If a battery terminal is disconnected, the memory will return to the ECM value. The ECM will now start to

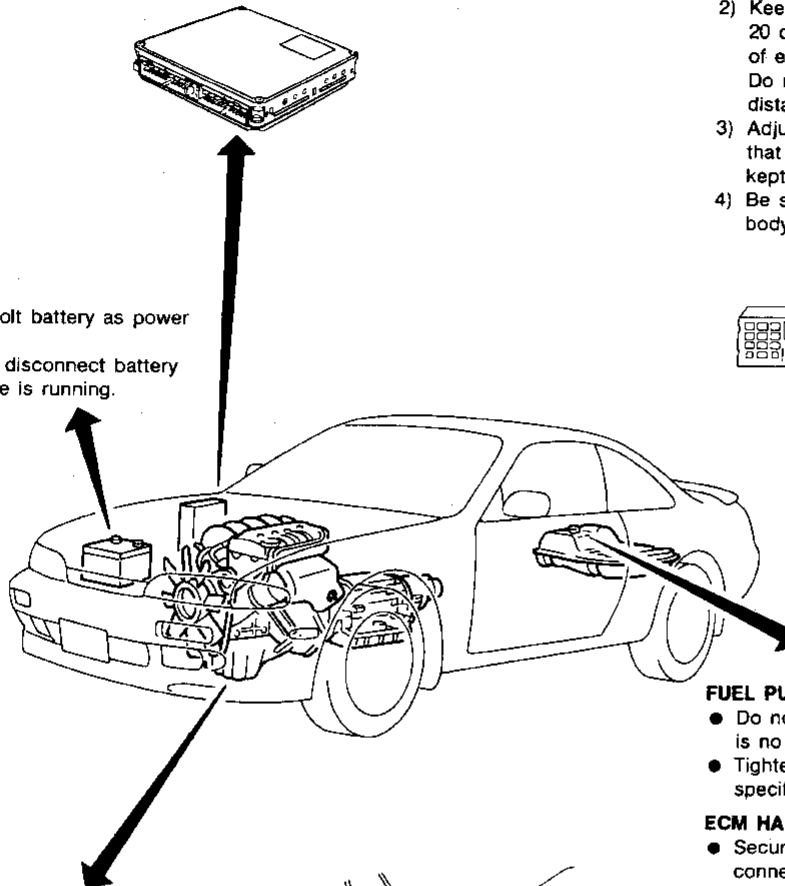
self-control at its initial value. Engine operation can vary slightly when the terminal is disconnected. However, this is not an indication of a problem. Do not replace parts because of a slight variation.

WIRELESS EQUIPMENT

- When installing C.B. ham radio or a mobile phone, be sure to observe the following as it may adversely affect electronic control systems depending on its installation location.
 - 1) Keep the antenna as far as possible away from the ECM.
 - 2) Keep the antenna feeder line more than 20 cm (7.9 in) away from the harness of electronic controls. Do not let them run parallel for a long distance.
 - 3) Adjust the antenna and feeder line so that the standing-wave ratio can be kept smaller.
 - 4) Be sure to ground the radio to vehicle body.

BATTERY

- Always use a 12 volt battery as power source.
- Do not attempt to disconnect battery cables while engine is running.



ECCS PARTS HANDLING

- Handle mass air flow sensor carefully to avoid damage.
- Do not disassemble mass air flow sensor.
- Do not clean mass air flow sensor with any type of detergent.
- Do not disassemble IACV-AAC valve.
- Even a slight leak in the air intake system can cause serious problems.
- Do not shock or jar the camshaft position sensor.

WHEN STARTING

- Do not depress accelerator pedal when starting.
- Immediately after starting, do not rev up engine unnecessarily.
- Do not rev up engine just prior to shutdown.

FUEL PUMP

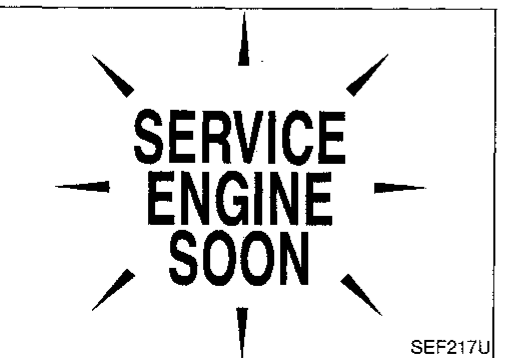
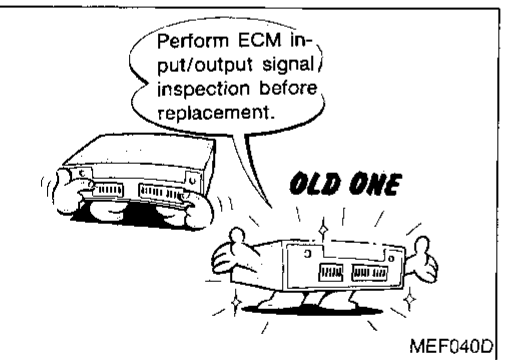
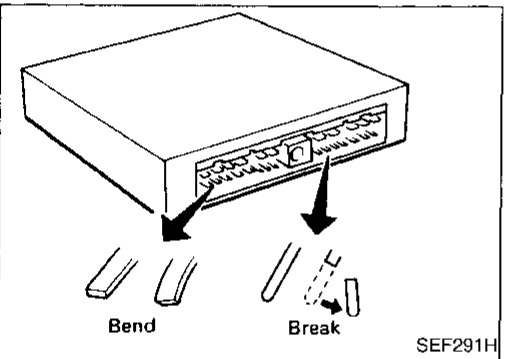
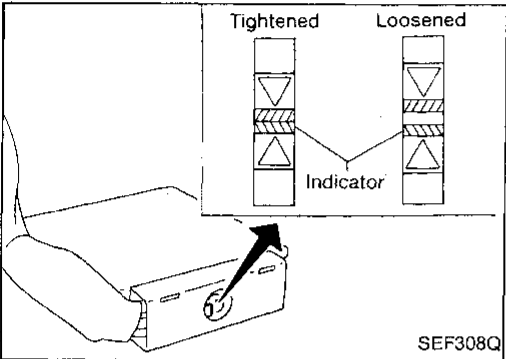
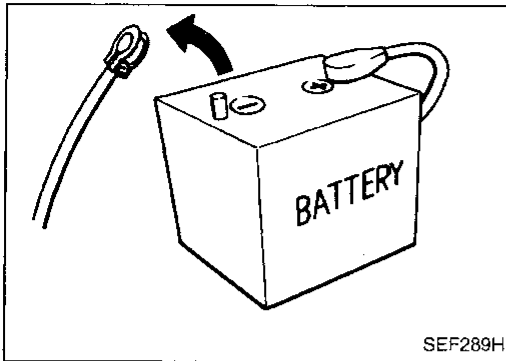
- Do not operate fuel pump when there is no fuel in lines.
- Tighten fuel hose clamps to the specified torque. (Refer to MA section.)

ECM HARNESS HANDLING

- Securely connect ECM harness connectors. A poor connection can cause an extremely high (surge) voltage to develop in coil and condenser, thus resulting in damage to ICs.
- Keep ECM harness at least 10 cm (3.9 in) away from adjacent harnesses, to prevent an ECM system malfunction due to receiving external noise, degraded operation of ICs, etc.
- Keep ECM parts and harnesses dry.
- Before removing parts, turn off ignition switch and then disconnect battery ground cable.

SEF181PA

PRECAUTIONS AND PREPARATION



Precautions

- Before connecting or disconnecting the ECM harness connector, turn ignition switch OFF and disconnect negative battery terminal. Failure to do so may damage the ECM because battery voltage is applied to ECM even if ignition switch is turned off.

- When connecting ECM harness connector, tighten securing bolt until the gap between orange indicators disappears.
 \bullet : 3.0 - 5.0 N·m (0.3 - 0.5 kg·m, 26 - 43 in·lb)

- When connecting or disconnecting pin connectors into or from ECM, take care not to damage pin terminals (bend or break). Make sure that there are not any bends or breaks on ECM pin terminal, when connecting pin connectors.

- Before replacing ECM, perform Terminals and Reference Value inspection and make sure ECM functions properly. Refer to EC-86.

- After performing each TROUBLE DIAGNOSIS, perform "OVERALL FUNCTION CHECK" or "DTC (Diagnostic Trouble Code) CONFIRMATION PROCEDURE". The DTC should not be displayed in the "DIAGNOSTIC TROUBLE CODE CONFIRMATION PROCEDURE" if the repair is completed. The "OVERALL FUNCTION CHECK" should be a good result if the repair is completed.

GI

MA

EM

LC

EC

FE

CL

MT

AT

PD

FA

RA

BR

ST

RS

BT

HA

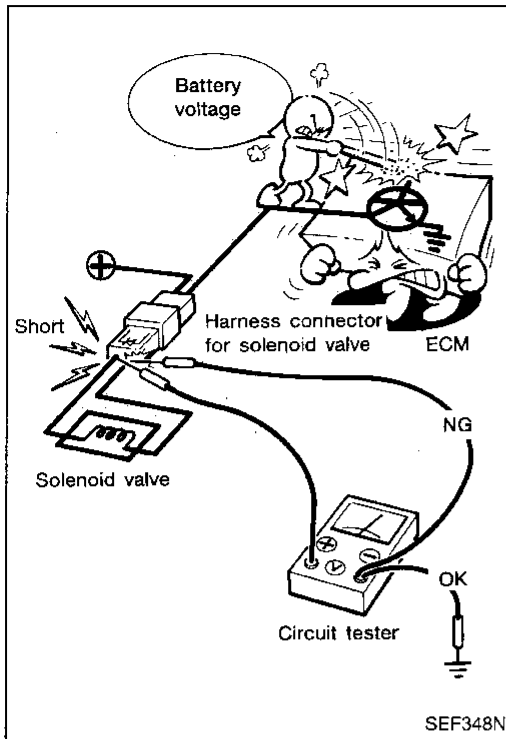
EL

IDX

PRECAUTIONS AND PREPARATION

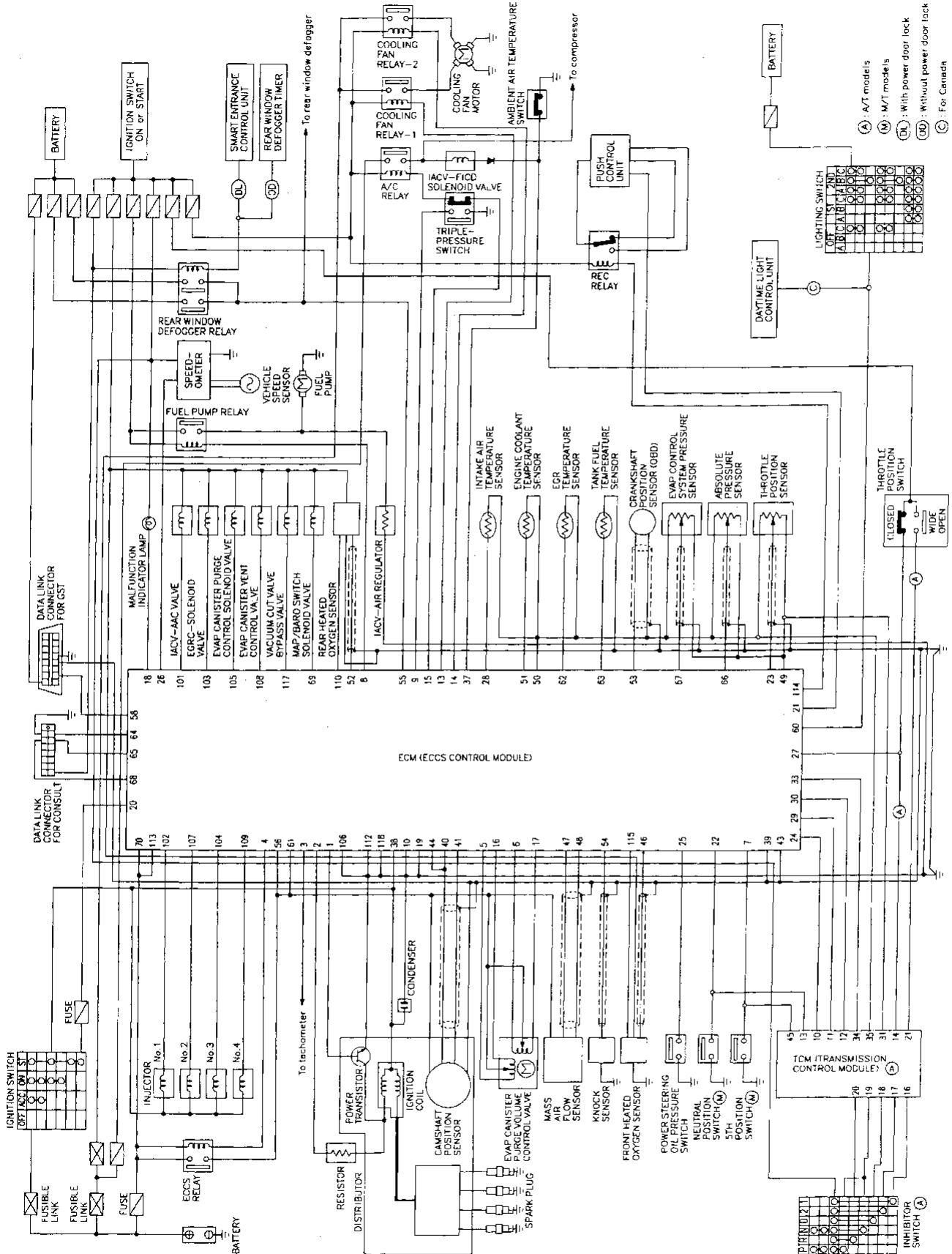
Precautions (Cont'd)

- When measuring ECM signals with a circuit tester, never allow the two tester probes to contact. Accidental contact of probes will cause a short circuit and damage the ECM power transistor.



ENGINE AND EMISSION CONTROL OVERALL SYSTEM

Circuit Diagram

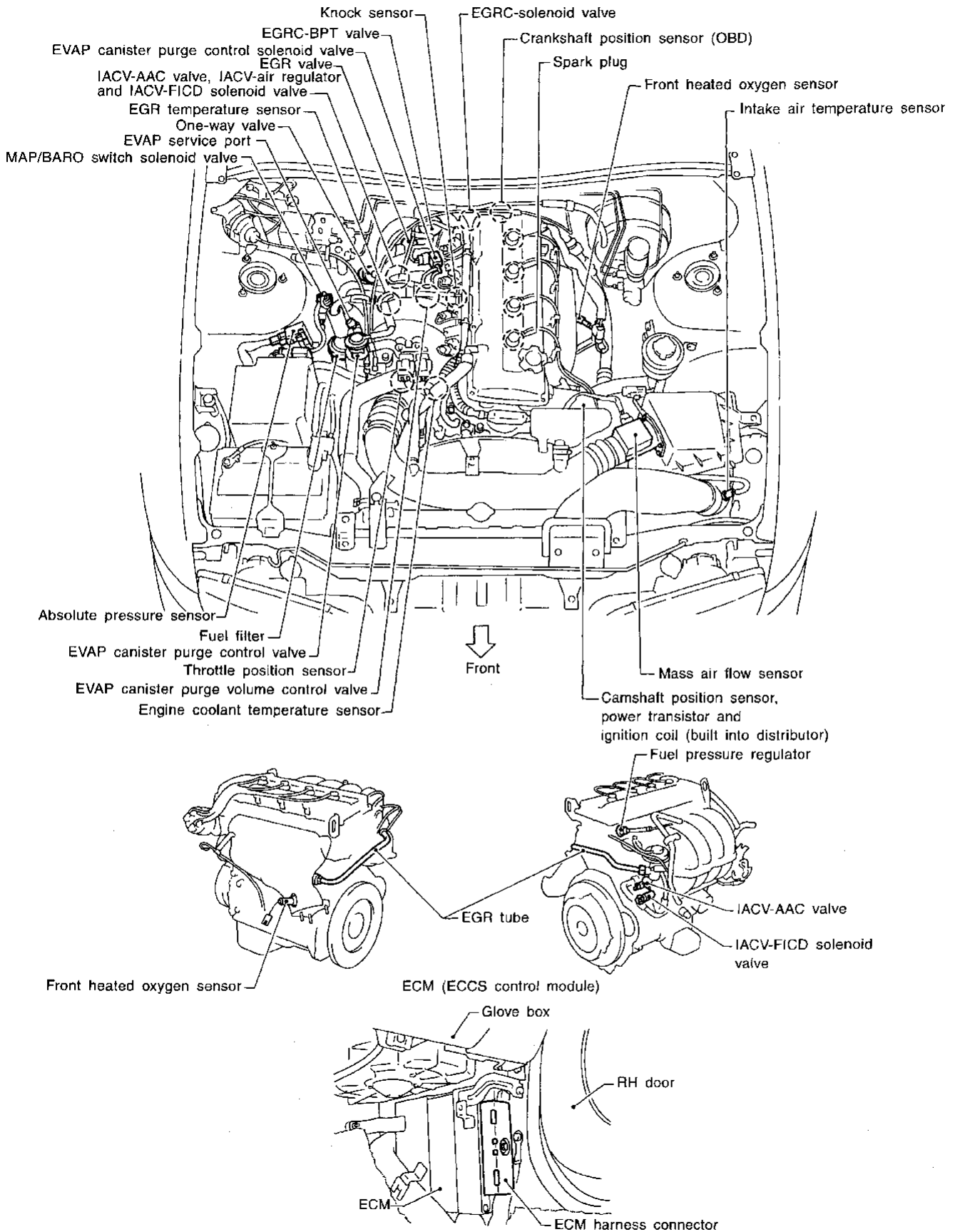


- Ⓐ: A/T models
- Ⓑ: M/T models
- Ⓒ: With power door lock
- Ⓓ: Without power door lock
- Ⓔ: For Canada

GI
MA
EM
LC
EC
FE
CL
MT
AT
PD
FA
RA
BR
ST
RS
BT
HA
EL
IDX

ENGINE AND EMISSION CONTROL OVERALL SYSTEM

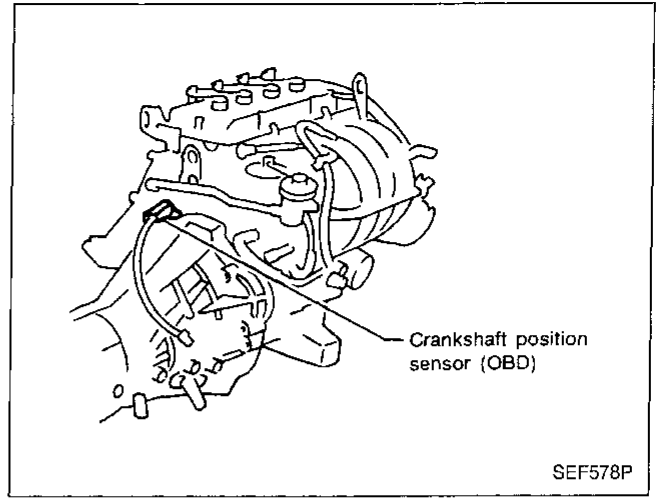
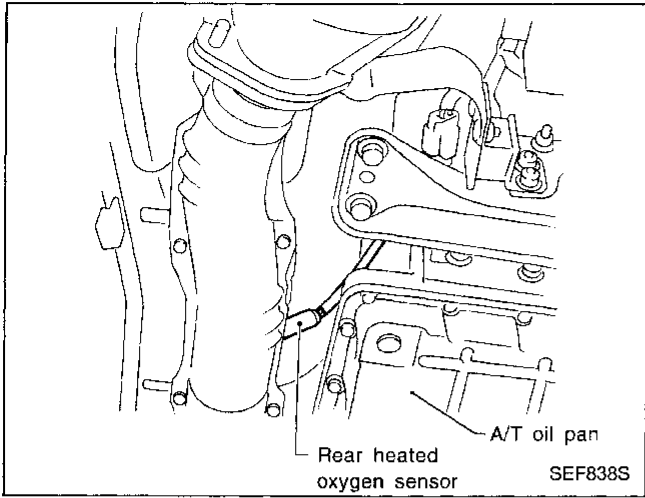
ECCS Component Parts Location



SEF022V

ENGINE AND EMISSION CONTROL OVERALL SYSTEM

ECCS Component Parts Location (Cont'd)



GI

MA

EM

LC

EC

FE

CL

MT

AT

PD

FA

RA

BR

ST

RS

BT

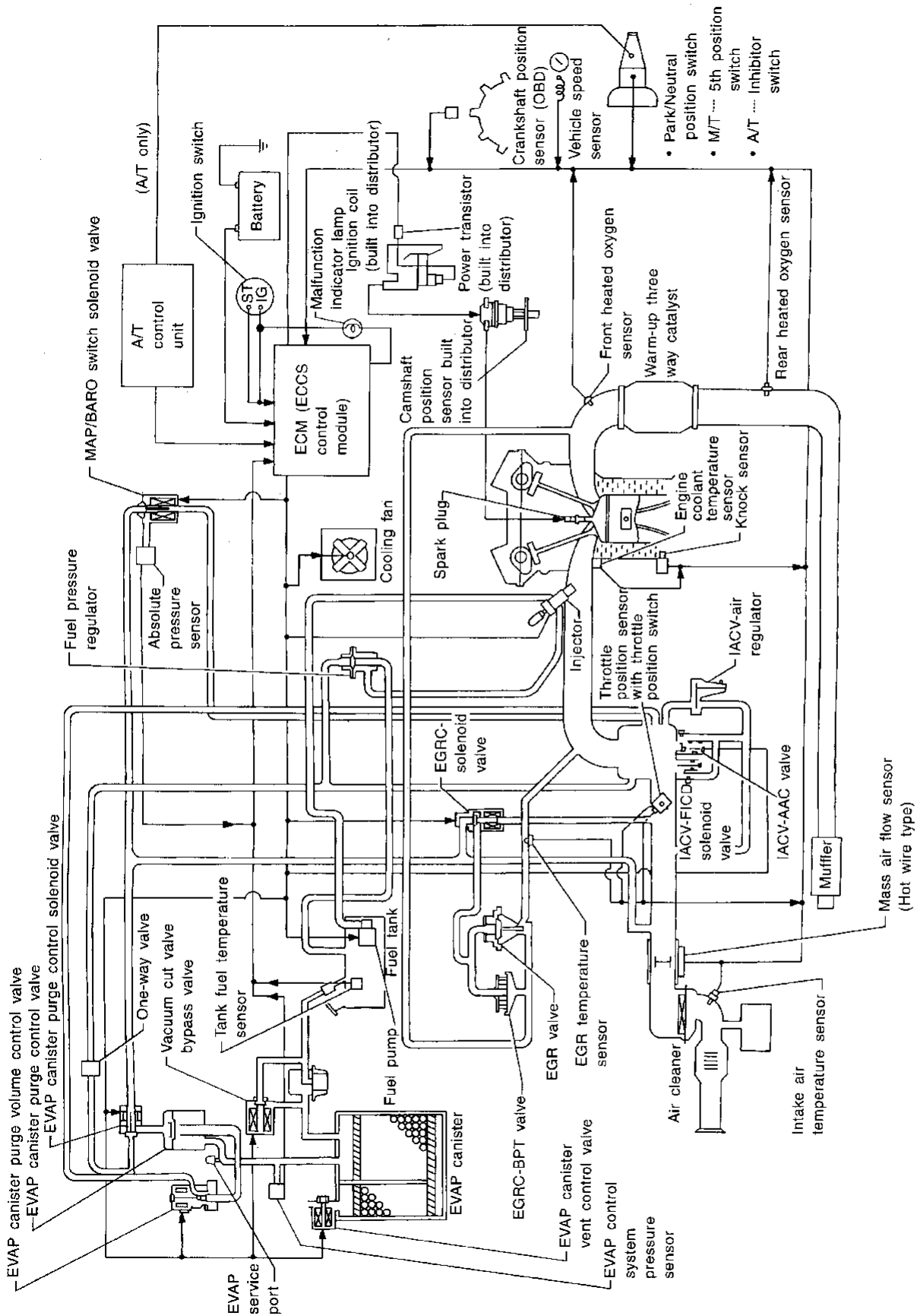
HA

EL

IDX

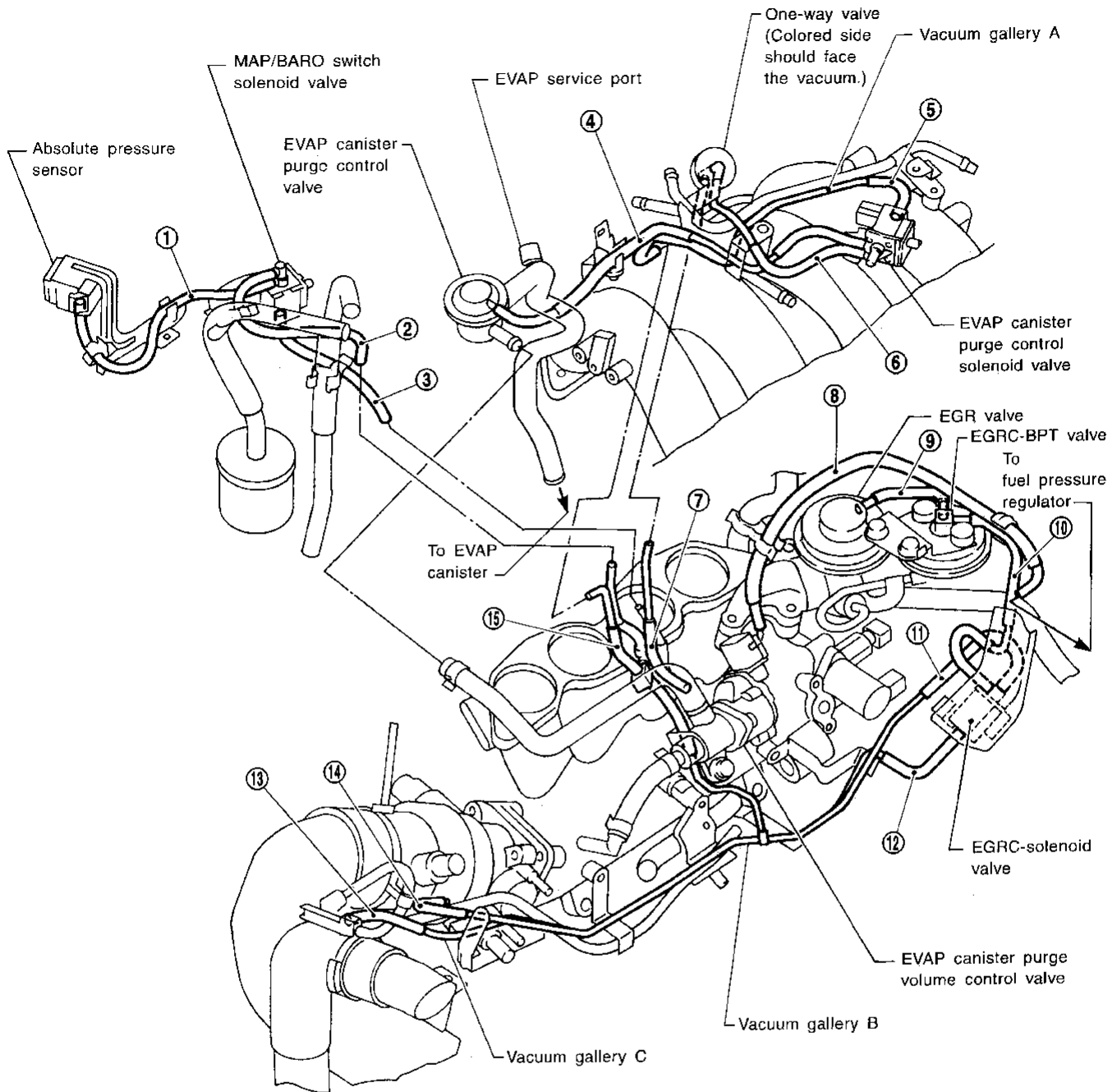
ENGINE AND EMISSION CONTROL OVERALL SYSTEM

System Diagram



ENGINE AND EMISSION CONTROL OVERALL SYSTEM

Vacuum Hose Drawing



- ① Absolute pressure sensor to MAP/BARO switch solenoid valve
- ② MAP/BARO switch solenoid valve to Vacuum gallery B
- ③ MAP/BARO switch solenoid valve to Intake manifold collector
- ④ EVAP canister purge control valve to EVAP canister purge control solenoid valve
- ⑤ EVAP canister purge control solenoid valve to Vacuum gallery A

- ⑥ EVAP canister purge control solenoid valve to One-way valve
- ⑦ One-way valve to Intake manifold collector
- ⑧ Intake manifold collector to fuel pressure regulator
- ⑨ EGR valve to EGRC-BPT valve
- ⑩ EGRC-BPT valve to EGRC solenoid valve

- ⑪ EGRC-solenoid valve to Vacuum gallery B
- ⑫ EGRC-solenoid valve to Vacuum gallery C
- ⑬ Vacuum gallery C to Intake air duct
- ⑭ Vacuum gallery B to Throttle body
- ⑮ Vacuum gallery A to Vacuum gallery B

SEF024V

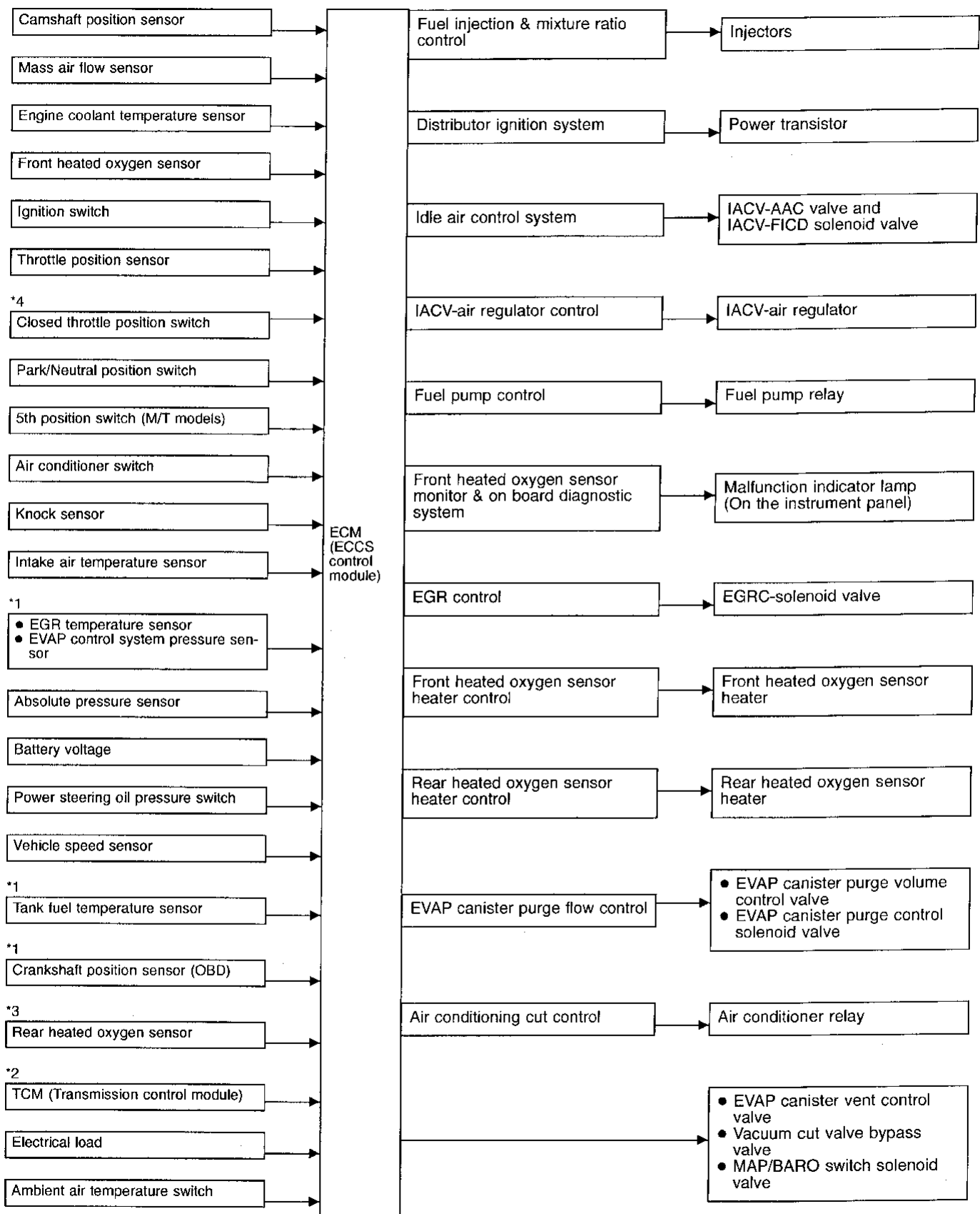
Refer to "System Diagram", EC-12, for vacuum control system.

Note: Do not use soapy water or any type of solvent while installing hoses or purge hoses.

GI
MA
EM
LC
EC
FE
CL
MT
AT
PD
FA
RA
BR
ST
RS
BT
HA
EL
DX

ENGINE AND EMISSION CONTROL OVERALL SYSTEM

System Chart



*1: These sensors are not used to control the engine system. They are used only for the on board diagnosis.

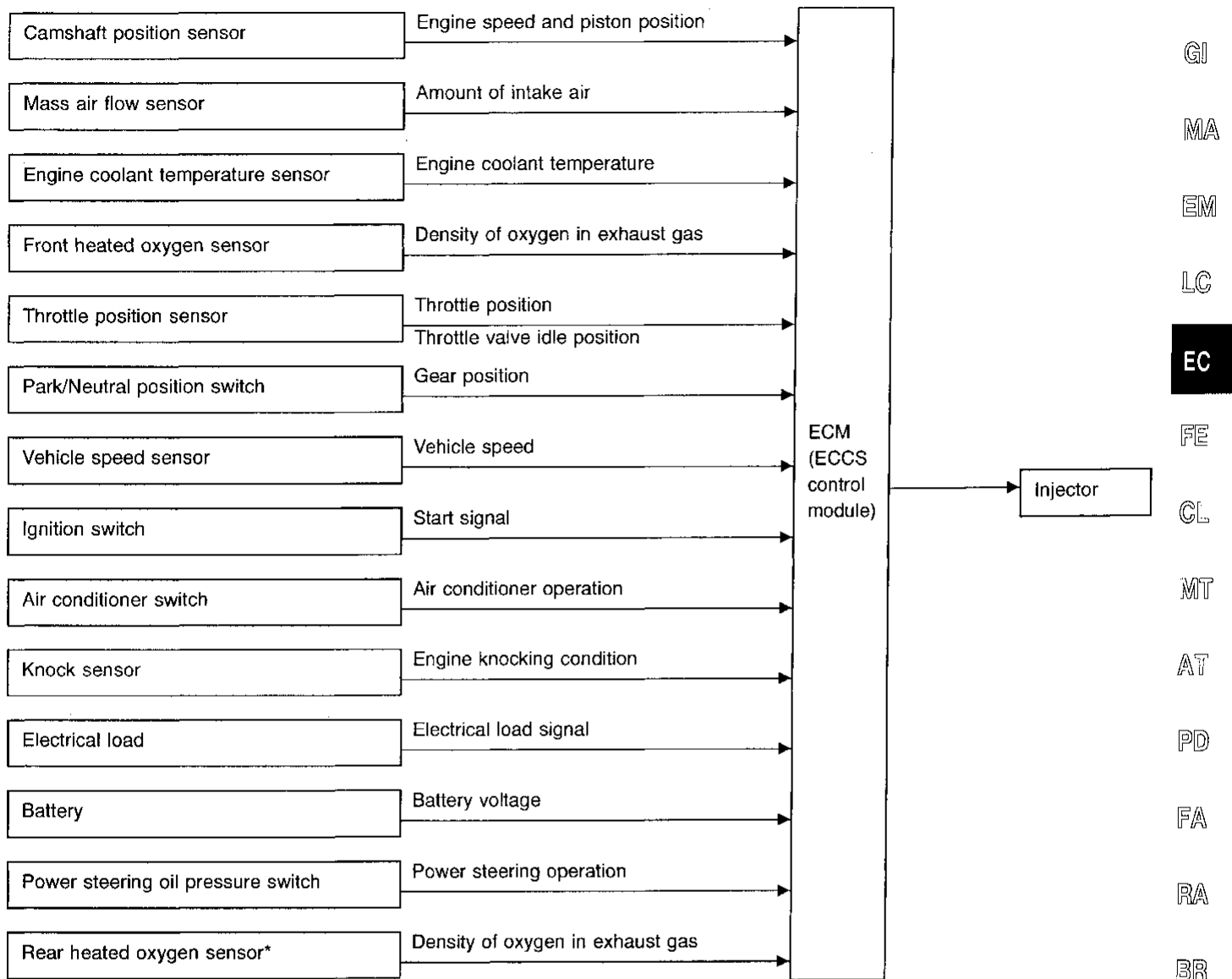
*2: The DTC related to A/T will be sent to ECM.

*3: This sensor is not used to control the engine system under normal conditions.

*4: This switch will operate in place of the throttle position sensor to control EVAP parts if the sensor malfunctions.

Multiport Fuel Injection (MFI) System

INPUT/OUTPUT SIGNAL LINE



* Under normal conditions, this sensor is not for engine control operation.

BASIC MULTI-PORT FUEL INJECTION SYSTEM

The amount of fuel injected from the fuel injector is determined by the ECM. The ECM controls the length of time the valve remains open (injection pulse duration). The amount of fuel injected is a program value in the ECM memory. The program value is preset by engine operating conditions. These conditions are determined by input signals (for engine speed and intake air) from both the camshaft position sensor and the mass air flow sensor.

VARIOUS FUEL INJECTION INCREASE/DECREASE COMPENSATION

In addition, the amount of fuel injected is compensated to improve engine performance under various operating conditions as listed below.

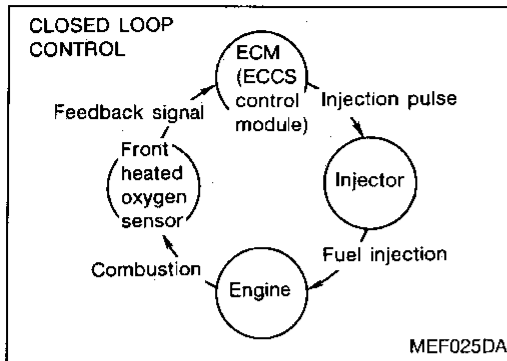
<Fuel increase>

- During warm-up
- When starting the engine
- During acceleration
- Hot-engine operation
- When selector lever is changed from "N" to "D" (A/T models only)
- High-load, high-speed operation

<Fuel decrease>

- During deceleration
- During high engine speed operation

ENGINE AND EMISSION BASIC CONTROL SYSTEM DESCRIPTION



Multiport Fuel Injection (MFI) System (Cont'd) MIXTURE RATIO FEEDBACK CONTROL (CLOSED LOOP CONTROL)

The mixture ratio feedback system provides the best air-fuel mixture ratio for driveability and emission control. The three way catalyst can then better reduce CO, HC and NO_x emissions. This system uses a front heated oxygen sensor in the exhaust manifold to monitor if the engine operation is rich or lean. The ECM adjusts the injection pulse width according to the sensor voltage signal. For more information about the front heated oxygen sensor, refer to EC-146. This maintains the mixture ratio within the range of stoichiometric (ideal air-fuel mixture).

This stage is referred to as the closed loop control condition.

Rear heated oxygen sensor is located downstream of the three way catalyst. Even if the switching characteristics of the front heated oxygen sensor shift, the air-fuel ratio is controlled to stoichiometric by the signal from the rear heated oxygen sensor.

OPEN LOOP CONTROL

The open loop system condition refers to when the ECM detects any of the following conditions. Feedback control stops in order to maintain stabilized fuel combustion.

- Deceleration and acceleration
- High-load, high-speed operation
- Malfunction of front heated oxygen sensor or its circuit
- Insufficient activation of front heated oxygen sensor at low engine coolant temperature
- High engine coolant temperature
- During warm-up
- When starting the engine

MIXTURE RATIO SELF-LEARNING CONTROL

The mixture ratio feedback control system monitors the mixture ratio signal transmitted from the front heated oxygen sensor. This feedback signal is then sent to the ECM. The ECM controls the basic mixture ratio as close to the theoretical mixture ratio as possible. However, the basic mixture ratio is not necessarily controlled as originally designed. Both manufacturing differences (i.e., mass air flow sensor hot film) and characteristic changes during operation (i.e., injector clogging) directly affect mixture ratio. Accordingly, the difference between the basic and theoretical mixture ratios is monitored in this system. This is then computed in terms of "injection pulse duration" to automatically compensate for the difference between the two ratios.

"Fuel trim" refers to the feedback compensation value compared against the basic injection duration. Fuel trim includes short term fuel trim and long term fuel trim.

"Short term fuel trim" is the short-term fuel compensation used to maintain the mixture ratio at its theoretical value. The signal from the front heated oxygen sensor indicates whether the mixture ratio is RICH or LEAN compared to the theoretical value. The signal then triggers a reduction in fuel volume if the mixture ratio is rich, and an increase in fuel volume if it is lean.

"Long term fuel trim" is overall fuel compensation carried out long-term to compensate for continual deviation of the short term fuel trim from the central value. Such deviation will occur due to individual engine differences, wear over time and changes in the usage environment.

ENGINE AND EMISSION BASIC CONTROL SYSTEM DESCRIPTION

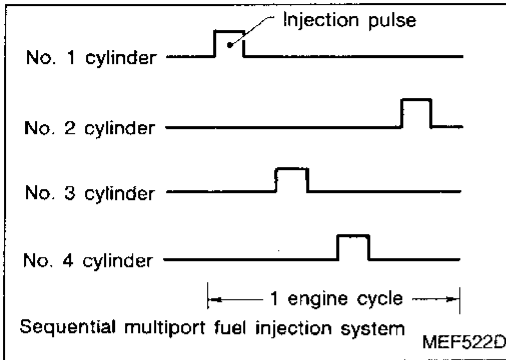
Multiport Fuel Injection (MFI) System (Cont'd)

FUEL INJECTION TIMING

Two types of systems are used.

Sequential multiport fuel injection system

Fuel is injected into each cylinder during each engine cycle according to the firing order. This system is used when the engine is running.

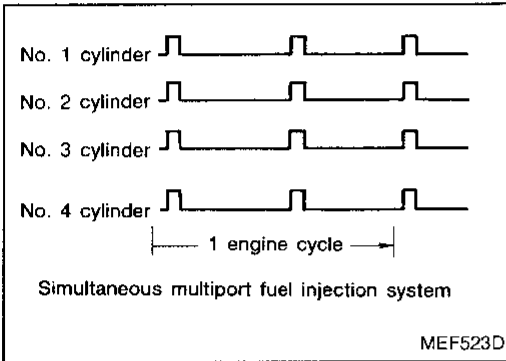


Simultaneous multiport fuel injection system

Fuel is injected simultaneously into all four cylinders twice each engine cycle. In other words, pulse signals of the same width are simultaneously transmitted from the ECM.

The four injectors will then receive the signals two times for each engine cycle.

This system is used when the engine is being started and/or if the fail-safe system (CPU) is operating.

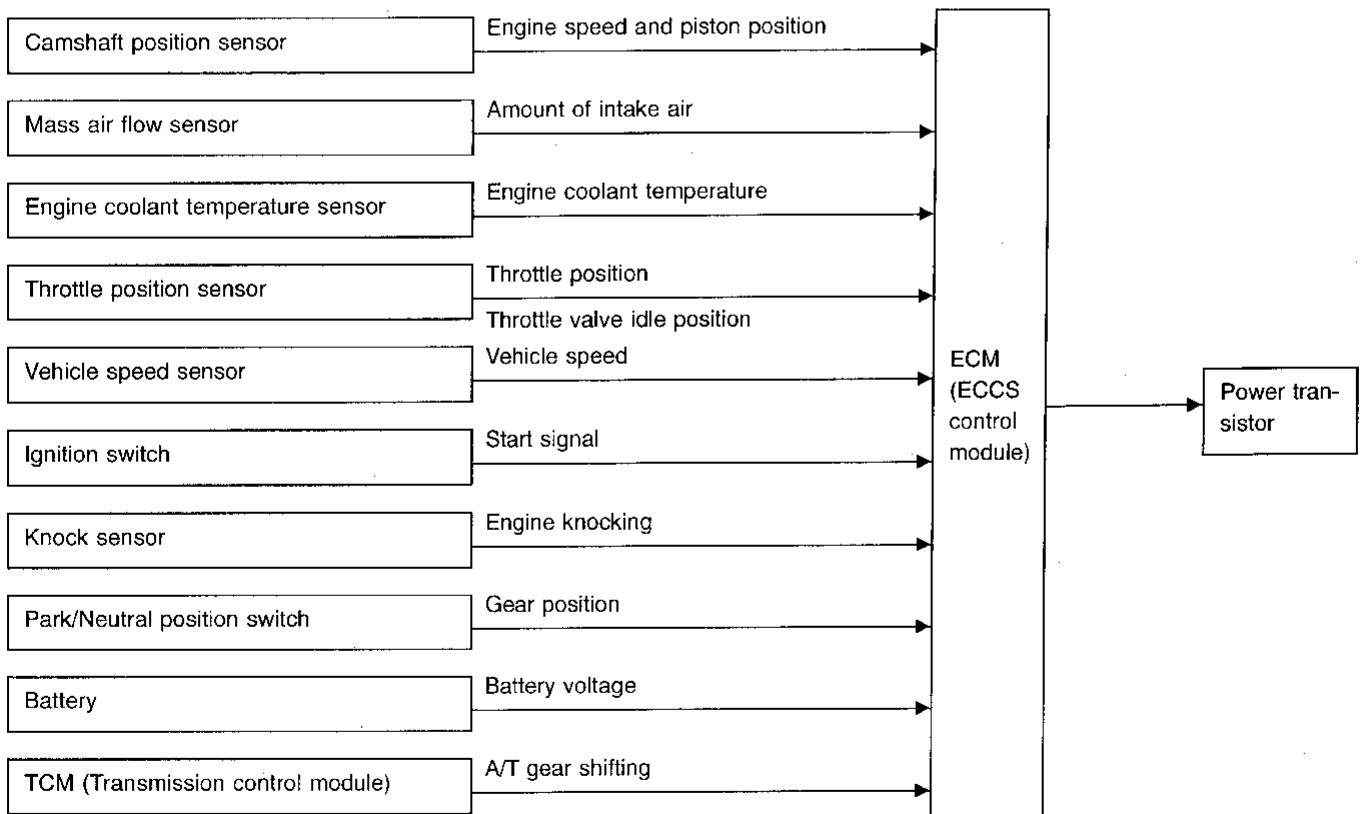


FUEL SHUT-OFF

Fuel to each cylinder is cut off during deceleration or operation of the engine at excessively high speeds.

Distributor Ignition (DI) System

INPUT/OUTPUT SIGNAL LINE



GI
MA
EM
LC
EC
FE
CL
MT
AT
PD
FA
RA
BR
ST
RS
BT
HA
EL
IDX

ENGINE AND EMISSION BASIC CONTROL SYSTEM DESCRIPTION

Distributor Ignition (DI) System (Cont'd)

SYSTEM DESCRIPTION

The ignition timing is controlled by the ECM to maintain the best air-fuel ratio for every running condition of the engine.

The ignition timing data is stored in the ECM. This data forms the map shown.

The ECM receives information such as the injection pulse width and camshaft position sensor signal. Computing this information, ignition signals are transmitted to the power transistor.

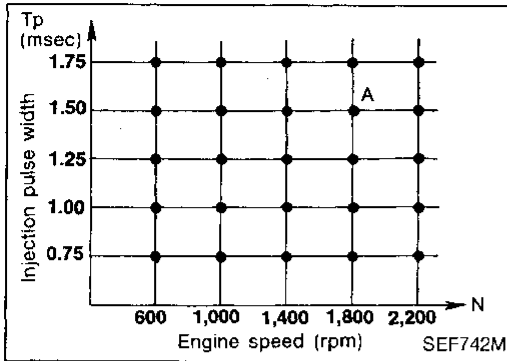
e.g., N: 1,800 rpm, Tp: 1.50 msec
A°BTDC

During the following conditions, the ignition timing is revised by the ECM according to the other data stored in the ECM.

- At starting
- During warm-up
- At idle
- At low battery voltage
- During acceleration

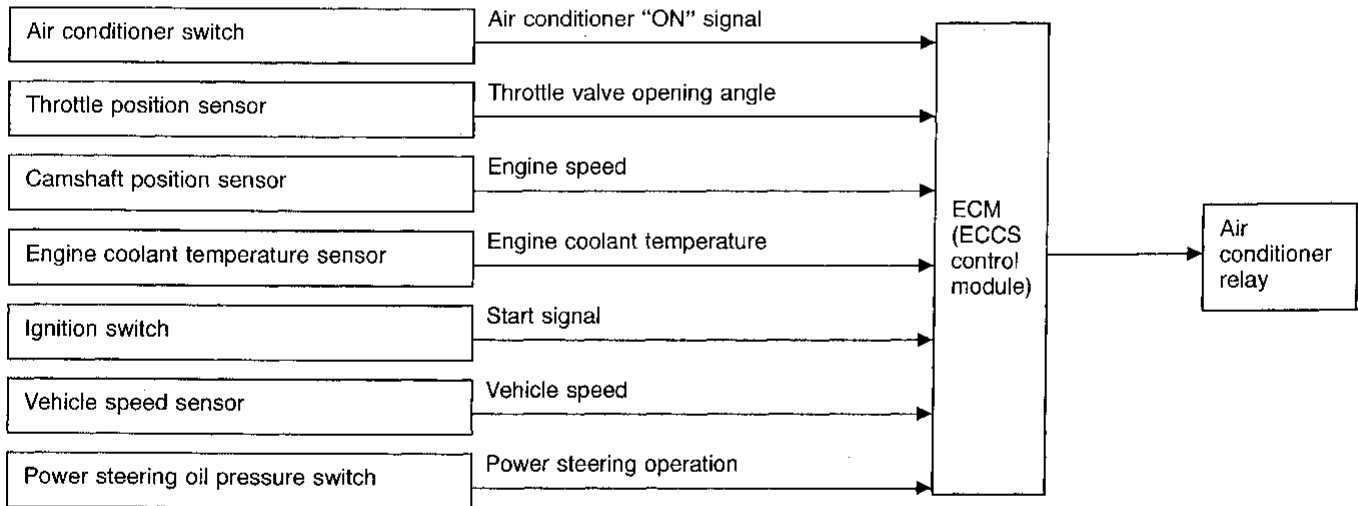
The knock sensor retard system is designed only for emergencies. The basic ignition timing is programmed within the anti-knocking zone, if recommended fuel is used under dry conditions. The retard system does not operate under normal driving conditions.

If engine knocking occurs, the knock sensor monitors the condition. The signal is transmitted to the ECM (ECCS control module). The ECM retards the ignition timing to eliminate the knocking condition.



Air Conditioning Cut Control

INPUT/OUTPUT SIGNAL LINE



SYSTEM DESCRIPTION

This system improves engine operation when the air conditioner is used.

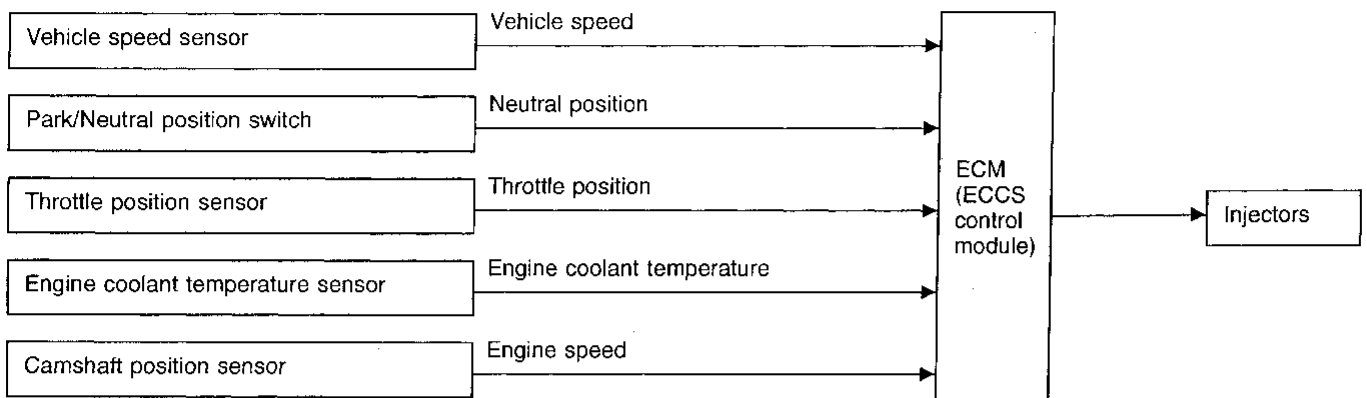
Under the following conditions, the air conditioner is turned off.

- When the accelerator pedal is fully depressed.
- When cranking the engine.
- At high engine speeds.
- When the engine coolant temperature becomes excessively high.
- When operating power steering during low engine speed or low vehicle speed.
- When engine speed is excessively low.

ENGINE AND EMISSION BASIC CONTROL SYSTEM DESCRIPTION

Fuel Cut Control (at no load & high engine speed)

INPUT/OUTPUT SIGNAL LINE



If the engine speed is above 3,000 rpm with no load, (for example, in neutral and engine speed over 3,000 rpm) fuel will be cut off after some time. The exact time when the fuel is cut off varies based on engine speed.

Fuel cut will operate until the engine speed reaches 1,500 rpm, then fuel cut is cancelled.

NOTE:

This function is different from deceleration control listed under "Multiport Fuel Injection (MFI) System", EC-15.

GI

MA

EM

LC

EC

FE

CL

MT

AT

PD

FA

RA

BR

ST

RS

BT

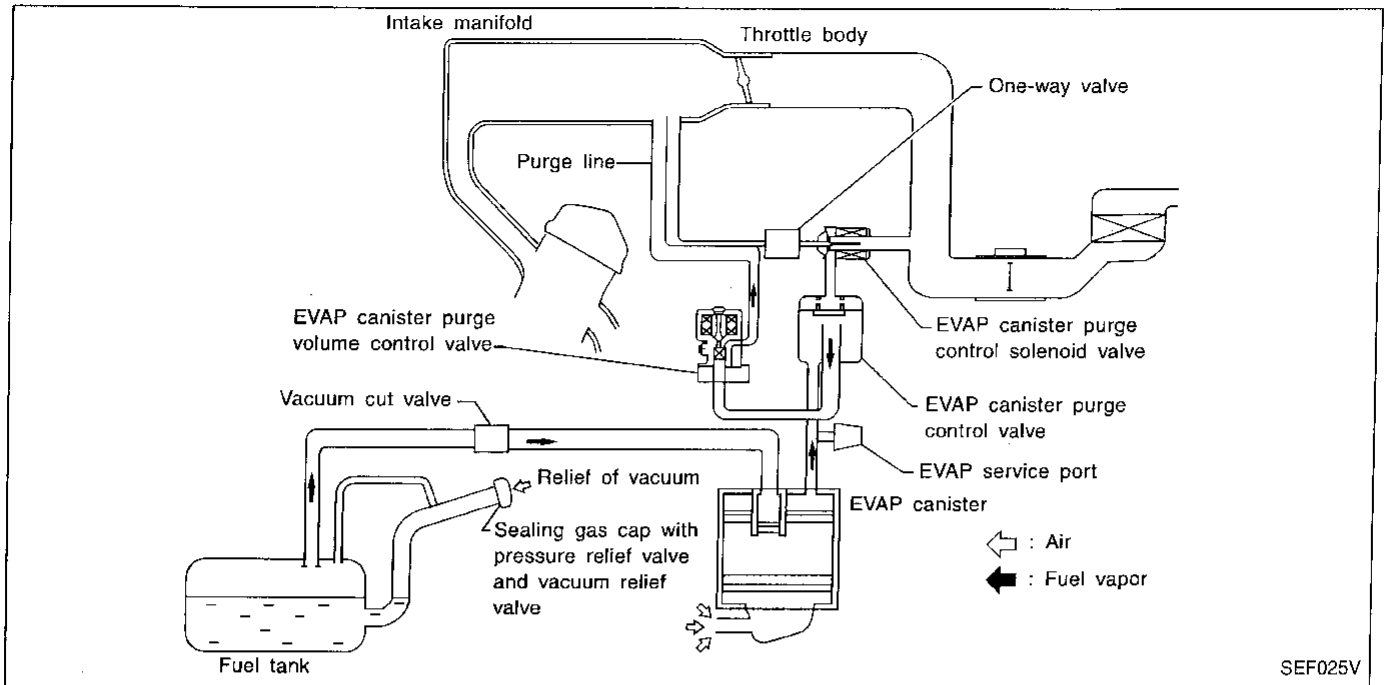
HA

EL

IDX

EVAPORATIVE EMISSION SYSTEM

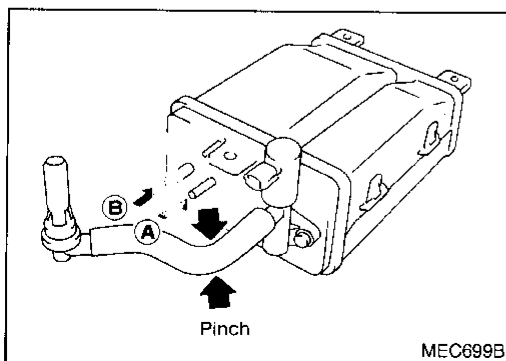
Description



The evaporative emission system is used to reduce hydrocarbons emitted into the atmosphere from the fuel system. This reduction of hydrocarbons is accomplished by activated charcoals in the EVAP canister.

The fuel vapor in the sealed fuel tank is led into the EVAP canister which contains activated carbon and the vapor is stored there when the engine is not operating or when refueling to the fuel tank. The vapor in the EVAP canister is purged by the air through the purge line to the intake manifold when the engine is operating. EVAP canister purge volume control valve is controlled by ECM. When the engine operates, the flow rate of vapor controlled by EVAP canister purge volume control valve is proportionally regulated as the air flow increases.

EVAP canister purge control valve also shuts off the vapor purge line during decelerating and idling.



Inspection

EVAP CANISTER

Check EVAP canister as follows:

1. Pinch the fresh air hose.
2. Blow air into port (A) and check that air flows freely through port (B).

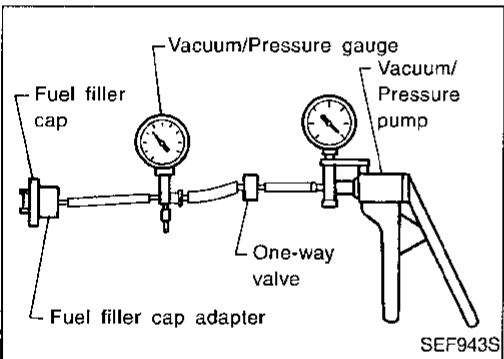
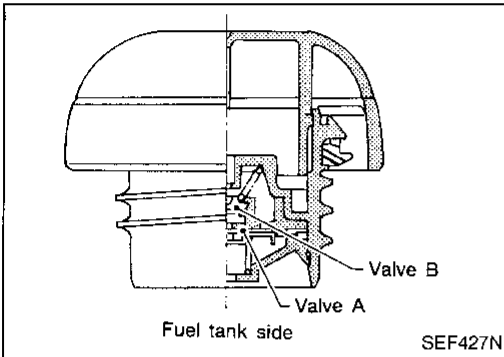
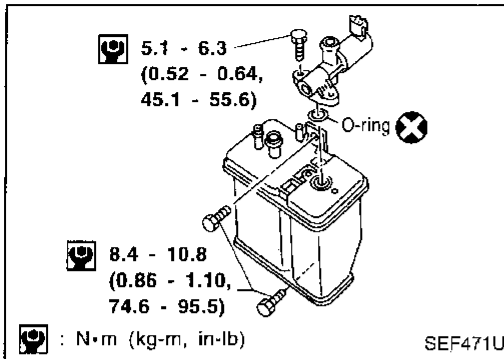
EVAPORATIVE EMISSION SYSTEM

Inspection (Cont'd)

TIGHTENING TORQUE

Tighten EVAP canister as shown in the figure.

Make sure new O-ring is installed properly between EVAP canister and EVAP vent control valve.



FUEL TANK VACUUM RELIEF VALVE (Built into fuel filler cap)

1. Wipe clean valve housing.
2. Check valve opening pressure and vacuum.

Pressure:

15.3 - 20.0 kPa (0.156 - 0.204 kg/cm², 2.22 - 2.90 psi)

Vacuum:

-6.0 to -3.3 kPa (-0.061 to -0.034 kg/cm², -0.87 to -0.48 psi)

3. If out of specification, replace fuel filler cap as an assembly.

CAUTION:

Use only a genuine fuel filler cap as a replacement. If an incorrect fuel filler cap is used, the MIL may come on.

EVAP CANISTER PURGE CONTROL VALVE

Refer to EC-393.

VACUUM CUT VALVE AND VACUUM CUT VALVE BYPASS VALVE

Refer to EC-383.

EVAPORATIVE EMISSION (EVAP) CANISTER PURGE VOLUME CONTROL VALVE

Refer to EC-271.

EVAPORATIVE EMISSION (EVAP) CANISTER PURGE CONTROL SOLENOID VALVE

Refer to EC-393.

TANK FUEL TEMPERATURE SENSOR

Refer to EC-220.

GI

MA

EM

LC

EC

FE

CL

Mt

AT

PD

FA

RA

BR

ST

RS

BT

HA

EL

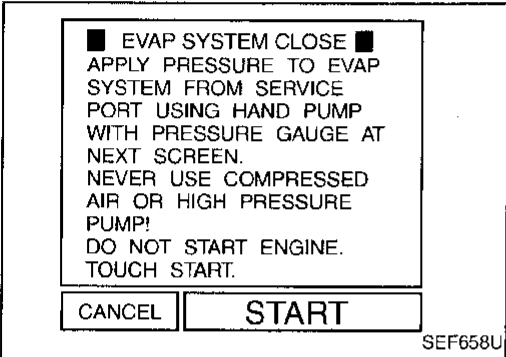
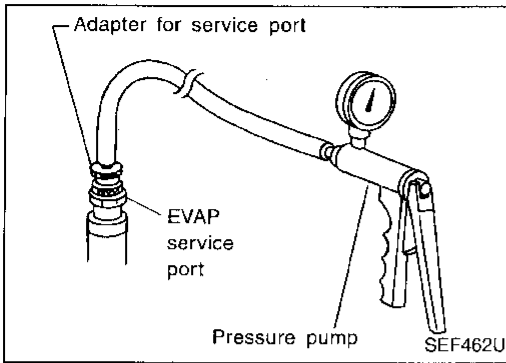
IDX

EVAPORATIVE EMISSION SYSTEM

Inspection (Cont'd)

EVAP SERVICE PORT

Positive pressure is delivered to the EVAP system through the EVAP service port. If fuel vapor leakage in the EVAP system occurs, use a leak detector to locate the leak.



How to detect fuel vapor leakage

CAUTION:

- Never use compressed air or a high pressure pump.
- Do not start engine.
- Do not exceed 4.12 kPa (0.042 kg/cm², 0.6 psi) of pressure in EVAP system.

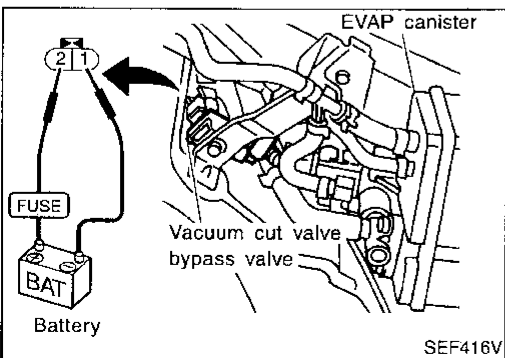
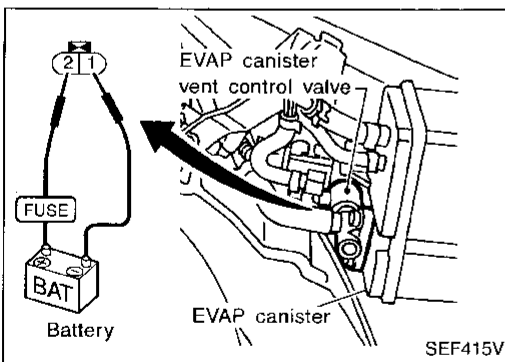
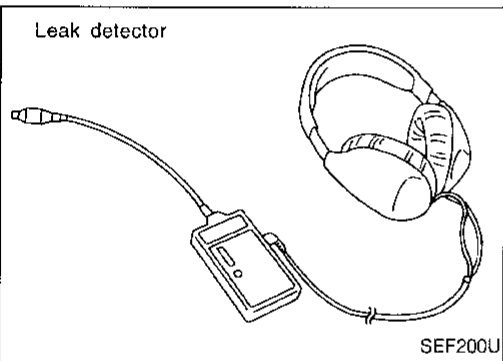
NOTE:

Improper installation of adapter to the service port may cause a leak.

1. Attach the adapter securely to the EVAP SERVICE port.
2. Also attach the pressure pump and hose.
3. Turn ignition switch "ON".
4. Select the "EVAP SYSTEM CLOSE" of "WORK SUPPORT MODE" with CONSULT.
5. Touch "START". A bar graph (Pressure indicating display) will appear on the screen.
6. Apply positive pressure to the EVAP system until the pressure indicator reaches the middle of the bar graph.
7. Remove adapter and hose with pressure pump.
8. Locate the leak using a leak detector. Refer to "Evaporative Emission Line Drawing", on next page.

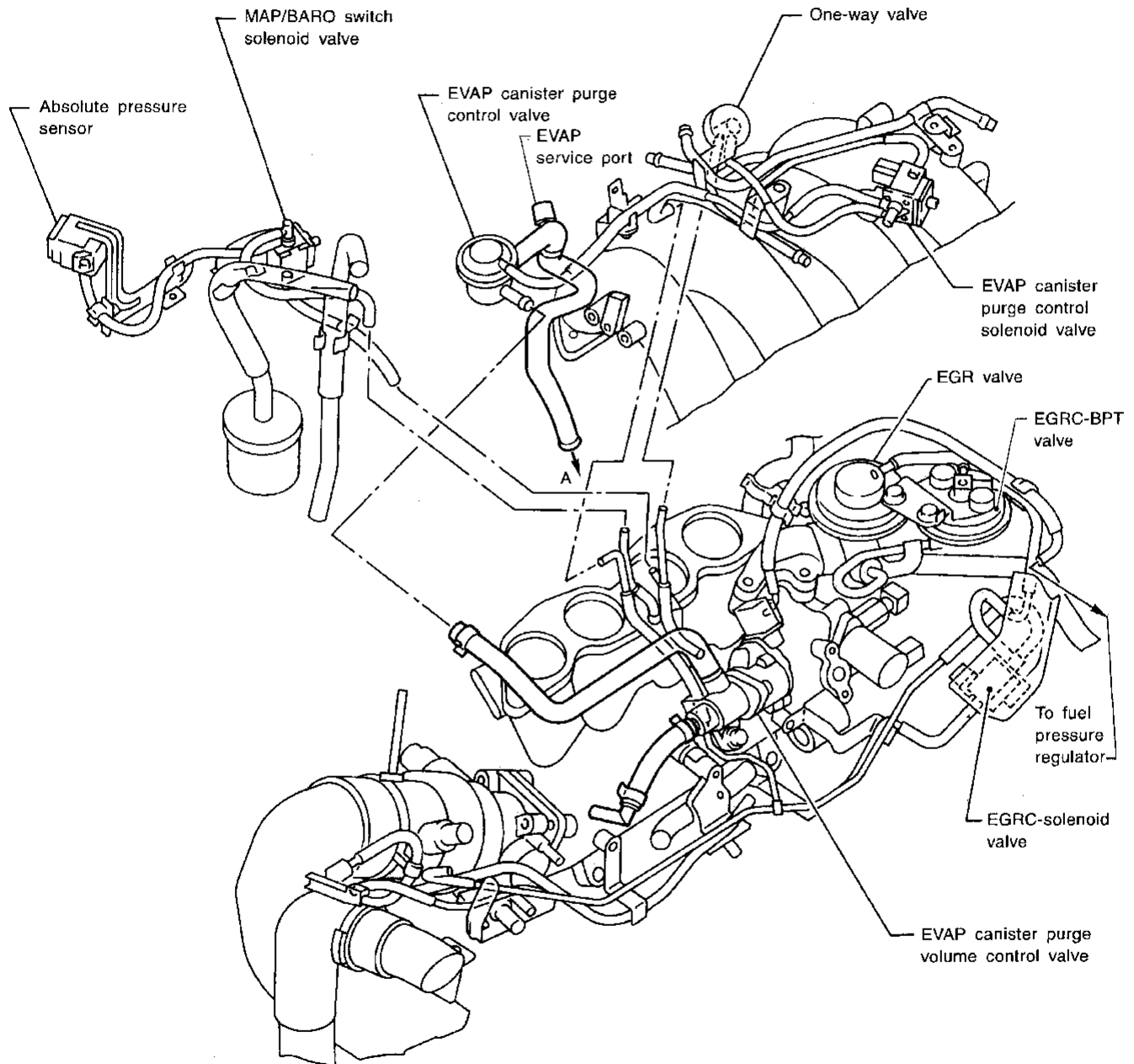
OR

1. Attach the adapter securely to the EVAP service port and pressure pump with pressure gauge to the EVAP service port.
2. Apply battery voltage to between the terminals of both EVAP canister vent control valve and vacuum cut valve bypass valve to make a closed EVAP system.
3. To locate the leak, deliver positive pressure to the EVAP system until pressure gauge points reach 1.38 to 2.76 kPa (0.014 to 0.028 kg/cm², 0.2 to 0.4 psi).
4. Remove adapter and hose with pressure pump.
5. Locate the leak using a leak detector. Refer to "Evaporative Emission Line Drawing", on next page.



EVAPORATIVE EMISSION SYSTEM

Evaporative Emission Line Drawing



GI

MA

EM

LC

EC

FE

CL

MT

AT

PD

FA

RA

BR

ST

RS

BT

HA

EL

IDX

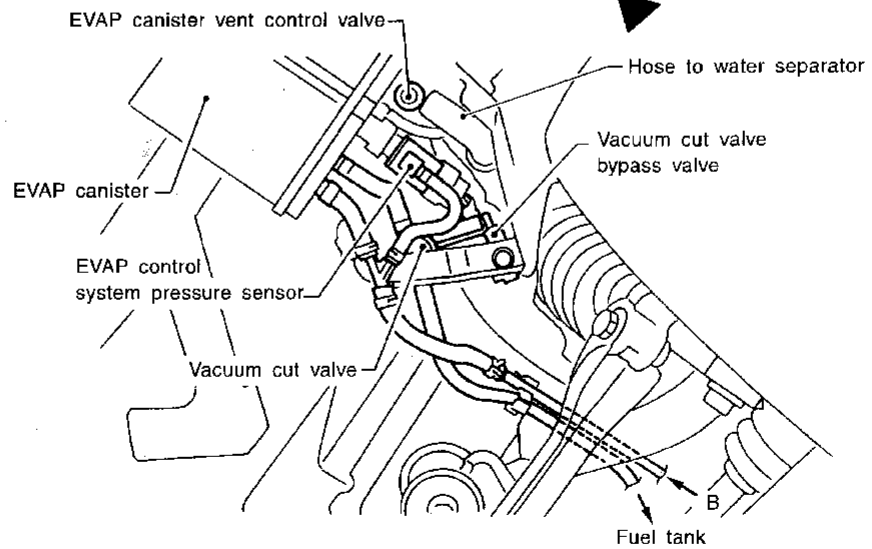
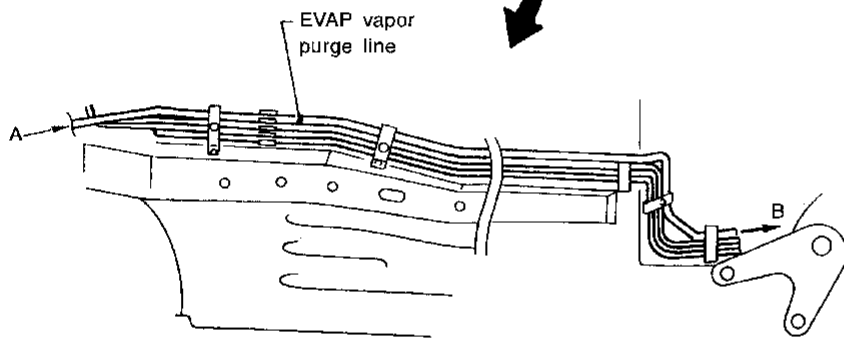
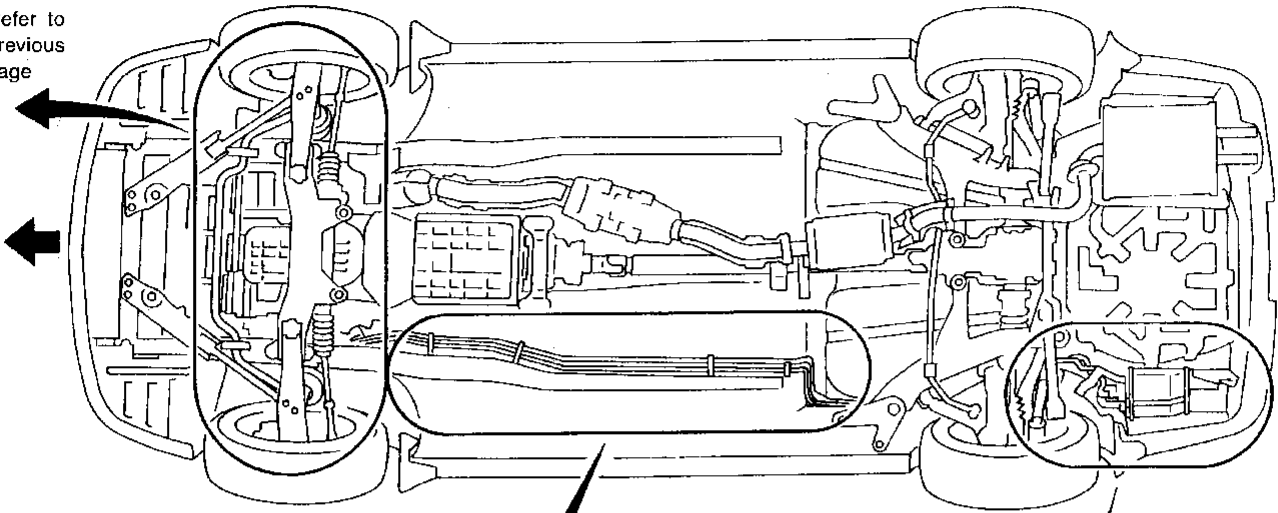
Note: Do not use soapy water or any type of solvent while installing vacuum hoses or purge hoses.

SEF026V

EVAPORATIVE EMISSION SYSTEM

Evaporative Emission Line Drawing (Cont'd)

Refer to
previous
page



POSITIVE CRANKCASE VENTILATION

Description

This system returns blow-by gas to the intake collector.

The positive crankcase ventilation (PCV) valve is provided to conduct crankcase blow-by gas to the intake manifold.

During partial throttle operation of the engine, the intake manifold sucks the blow-by gas through the PCV valve.

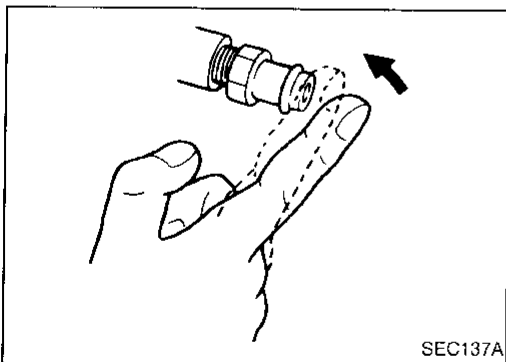
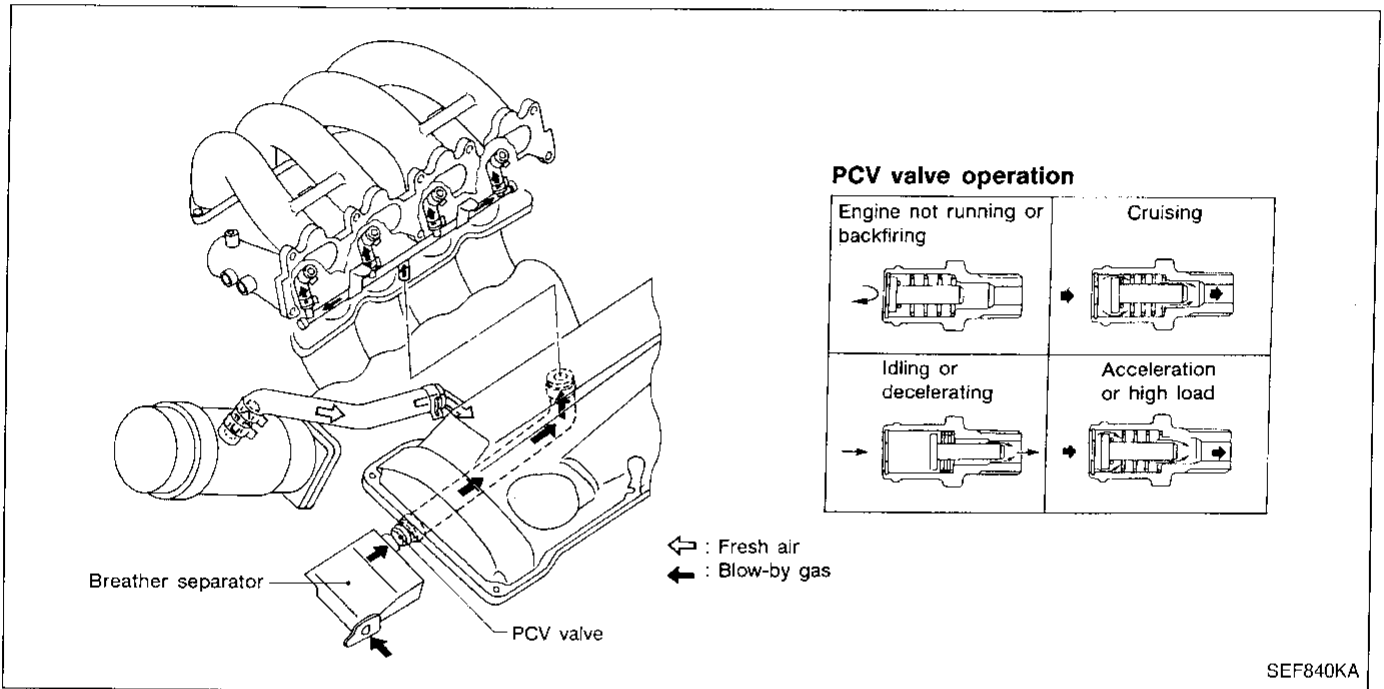
Normally, the capacity of the valve is sufficient to handle any blow-by and a small amount of ventilating air.

The ventilating air is then drawn from the air duct

into the crankcase. In this process the air passes through the hose connecting air inlet tubes to rocker cover.

Under full-throttle condition, the manifold vacuum is insufficient to draw the blow-by flow through the valve. The flow goes through the hose connection in the reverse direction.

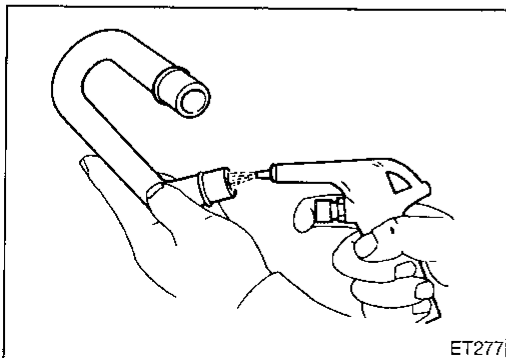
On vehicles with an excessively high blow-by, the valve does not meet the requirement. This is because some of the flow will go through the hose connection to the intake collector under all conditions.



Inspection

PCV (Positive Crankcase Ventilation) VALVE

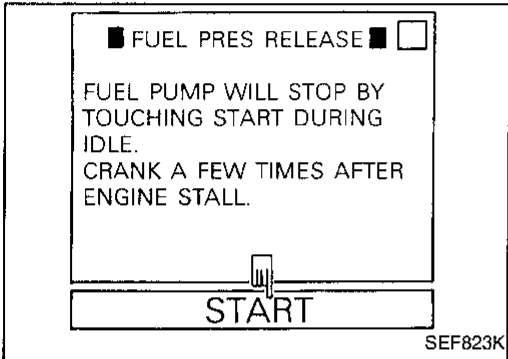
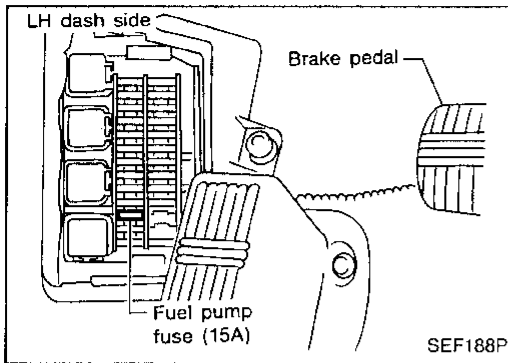
With engine running at idle, remove PCV valve from breather separator. A properly working valve makes a hissing noise as air passes through it. A strong vacuum should be felt immediately when a finger is placed over the valve inlet.



VENTILATION HOSE

1. Check hoses and hose connections for leaks.
2. Disconnect all hoses and clean with compressed air. If any hose cannot be freed of obstructions, replace.

BASIC SERVICE PROCEDURE

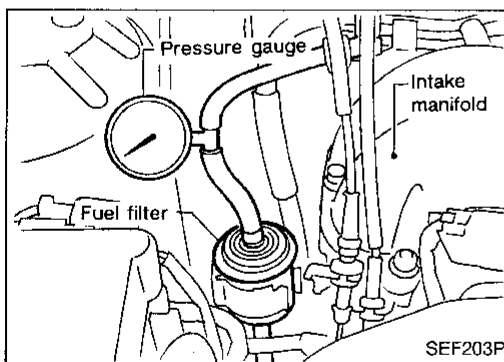


Fuel Pressure Release

Before disconnecting fuel line, release fuel pressure from fuel line to eliminate danger.

1. Turn ignition switch ON.
2. Perform "FUEL PRESSURE RELEASE" in "WORK SUPPORT" mode with CONSULT.
3. Start engine.
4. After engine stalls, crank it two or three times to release all fuel pressure.
5. Turn ignition switch OFF.

1. Remove fuse for fuel pump.
2. Start engine.
3. After engine stalls, crank it two or three times to release all fuel pressure.
4. Turn ignition switch off and reconnect fuel pump fuse.



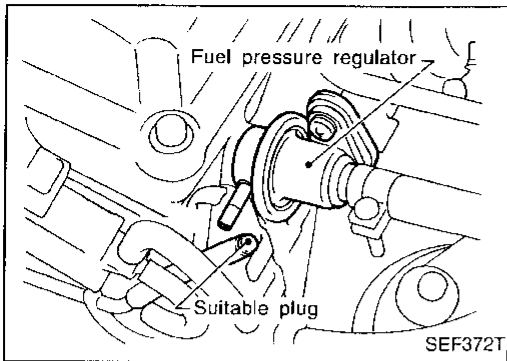
Fuel Pressure Check

- When reconnecting fuel line, always use new clamps.
- Make sure that clamp screw does not contact adjacent parts.
- Use a torque driver to tighten clamps.
- Use Pressure Gauge to check fuel pressure.
- Do not perform fuel pressure check with system operating. Fuel pressure gauge may indicate false readings.

1. Release fuel pressure to zero.
2. Disconnect fuel hose between fuel filter and fuel tube (engine side).
3. Install pressure gauge between fuel filter and fuel tube.
4. Start engine and check for fuel leakage.

BASIC SERVICE PROCEDURE

Fuel Pressure Check (Cont'd)



5. Read the indication of fuel pressure gauge.

At idling:

With vacuum hose connected

Approximately 235 kPa (2.4 kg/cm², 34 psi)

With vacuum hose disconnected

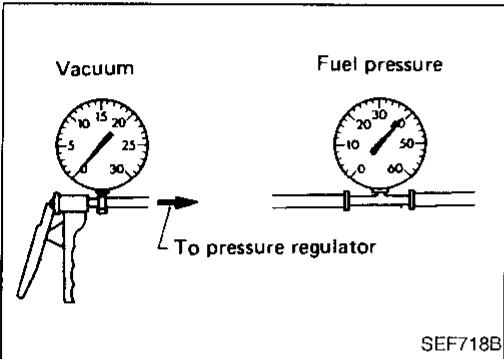
Approximately 294 kPa (3.0 kg/cm², 43 psi)

If results are unsatisfactory, perform Fuel Pressure Regulator Check.

GI

MA

EM



Fuel Pressure Regulator Check

1. Stop engine and disconnect fuel pressure regulator vacuum hose from intake manifold.
2. Plug intake manifold with a rubber cap.
3. Connect variable vacuum source to fuel pressure regulator.
4. Start engine and read indication of fuel pressure gauge as vacuum is changed.

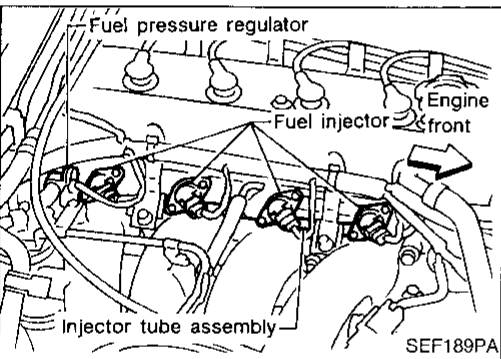
Fuel pressure should decrease as vacuum increases. If results are unsatisfactory, replace fuel pressure regulator.

LC

EC

FE

CL



Injector Removal and Installation

1. Release fuel pressure to zero.
2. Remove injector tube assembly with injectors from intake manifold.
3. Remove injectors from injector tube assembly.
 - Push injector tail piece.
 - Do not pull on the connector.
4. Install injectors as follows:
 - a. Clean exterior of injector tail piece.
 - b. Use new O-rings.

Always replace O-rings with new ones.

Lubricate O-rings with a smear of engine oil.

5. Install injectors with fuel tube assembly to intake manifold. Tighten in numerical order shown in the figure.
 - a. First, tighten all bolts to 9.3 to 10.8 N-m (0.95 to 1.1 kg-m, 6.9 to 8.0 ft-lb).
 - b. Then, tighten all bolts to 21 to 26 N-m (2.1 to 2.7 kg-m, 15 to 20 ft-lb).
6. Install fuel hoses to fuel tube assembly.
7. Reinstall any parts removed in reverse order of removal.

CAUTION:

After properly connecting injectors to fuel tube assembly, check connections for fuel leakage.

MT

AT

PD

FA

RA

BR

ST

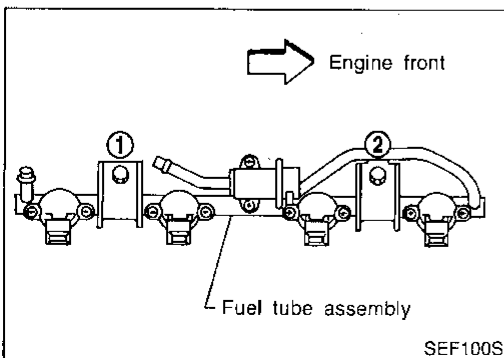
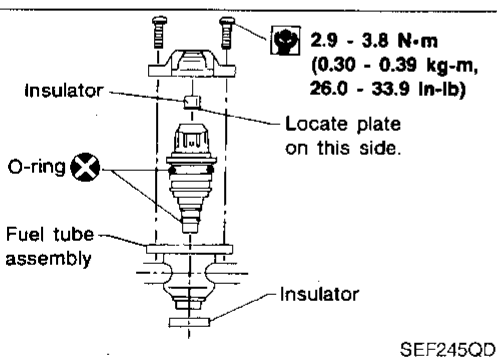
RS

BT

HA

EL

IDX



BASIC SERVICE PROCEDURE

Idle Speed/Ignition Timing/Idle Mixture Ratio Adjustment

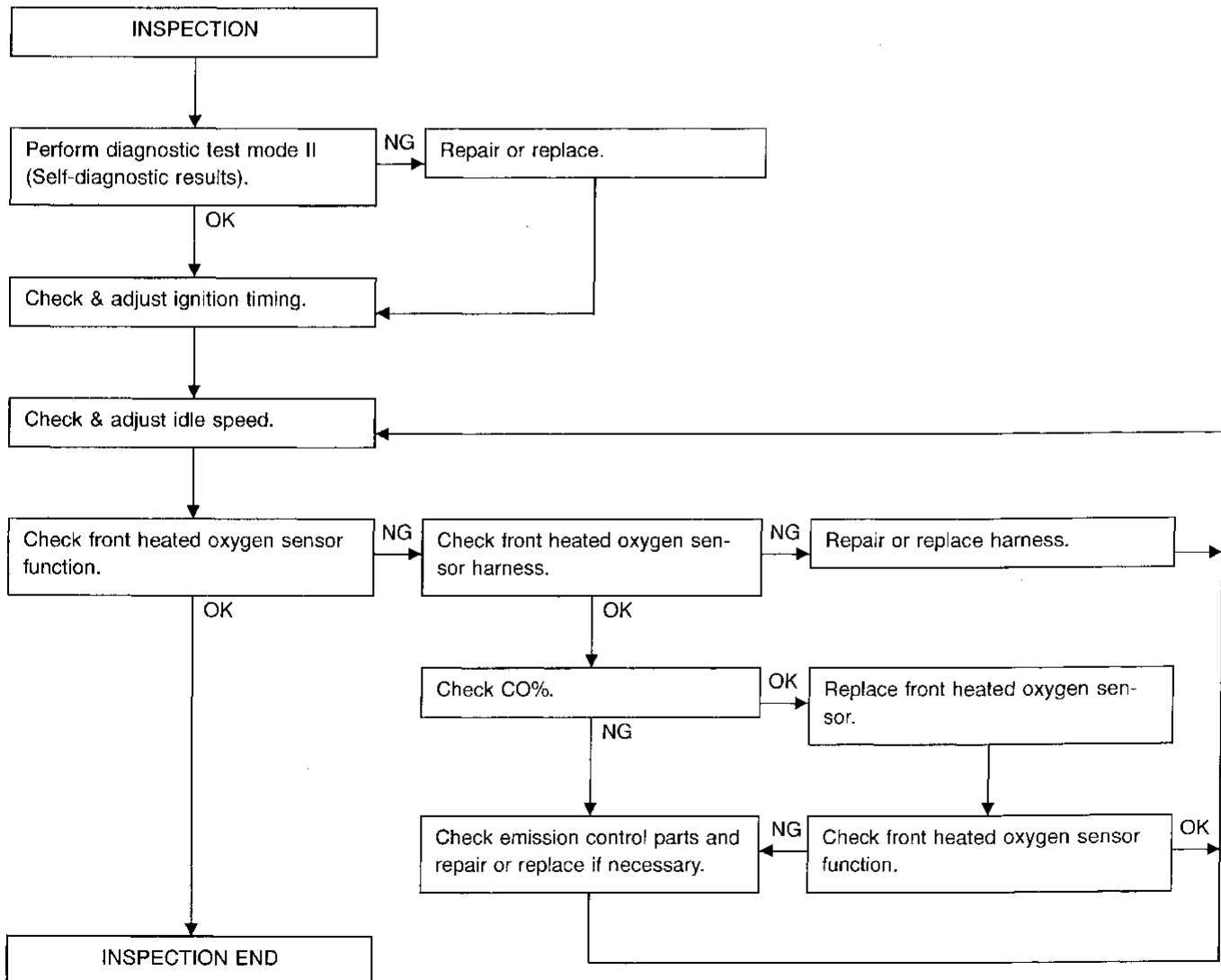
PREPARATION

- Make sure that the following parts are in good order.

- (1) Battery
- (2) Ignition system
- (3) Engine oil and coolant levels
- (4) Fuses
- (5) ECM harness connector
- (6) Vacuum hoses
- (7) Air intake system
(Oil filler cap, oil level gauge, etc.)
- (8) Fuel pressure
- (9) Engine compression
- (10) EGR valve operation
- (11) Throttle valve
- (12) EVAP system

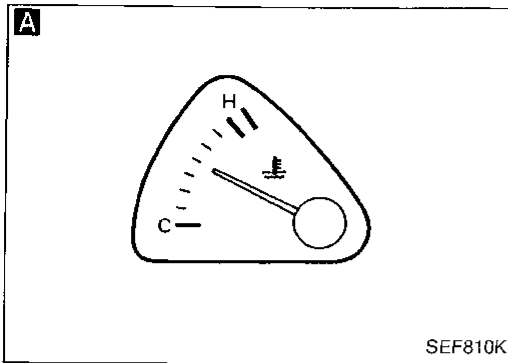
- On models equipped with air conditioner, checks should be carried out while the air conditioner is "OFF".
- On models equipped with automatic transaxle, when checking idle speed, ignition timing and mixture ratio, checks should be carried out while shift lever is in "N" position.
- When measuring "CO" percentage, insert probe more than 40 cm (15.7 in) into tail pipe.
- Turn off headlamps, heater blower, rear defogger.
- Keep front wheels pointed straight ahead.
- Make the check after the cooling fan has stopped.

Overall inspection sequence



BASIC SERVICE PROCEDURE

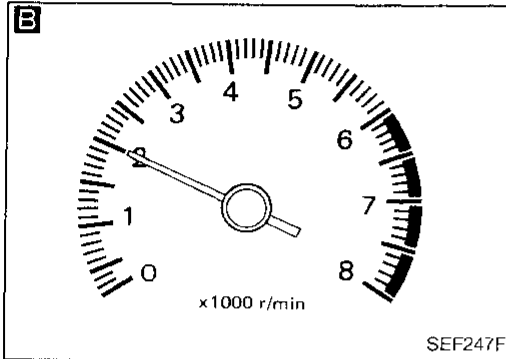
Idle Speed/Ignition Timing/Idle Mixture Ratio Adjustment (Cont'd)



START

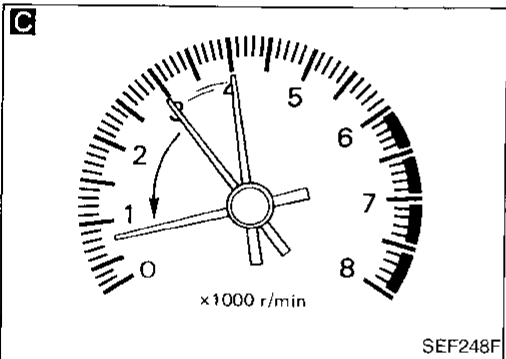
Visually check the following:

- Air cleaner clogging
- Hoses and ducts for leaks
- EGR valve operation
- Electrical connectors
- Gasket
- Throttle valve and throttle position sensor operations



A Start engine and warm it up until engine coolant temperature indicator points to the middle of gauge and ensure that engine speed is below 1,000 rpm.

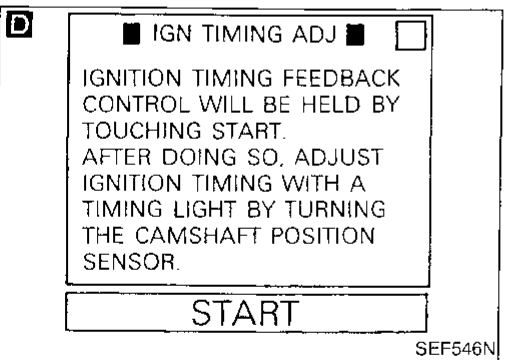
B Open engine hood and run engine at about 2,000 rpm for about 2 minutes under no-load.



Perform ECM Self-diagnosis.

OK → NG → Repair or replace components as necessary.

C Run engine at about 2,000 rpm for about 2 minutes under no-load. Rev engine two or three times under no-load, then run engine for about 1 minute at idle speed.



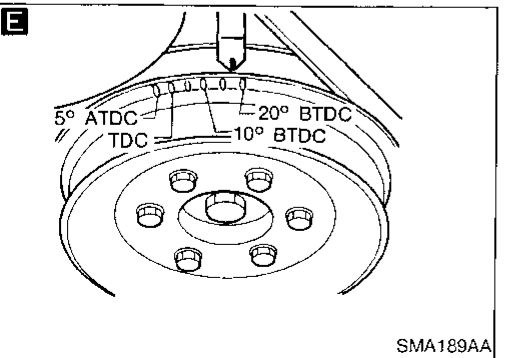
D

1. Select "IGNITION TIMING ADJ" in WORK SUPPORT mode.
2. Touch "START".

⌚ 1. Stop engine and disconnect throttle position sensor harness connector.

2. Start engine.

Rev engine (2,000 - 3,000 rpm) 2 or 3 times under no-load and run engine at idle speed.



E Check ignition timing with a timing light.

20°±2° BTDC (A/T in "N" position)

OK → NG

A (Go to next page.) **B** (Go to next page.)

GI
MA
EM
LC
EC
FE
CL
MT
AT
PD
FA
RA
BR
ST
RS
BT
IA
EL
IDX

BASIC SERVICE PROCEDURE

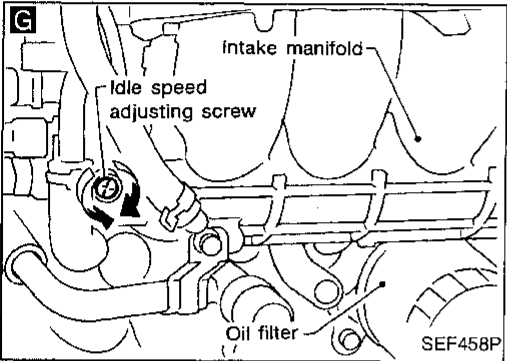
Idle Speed/Ignition Timing/Idle Mixture Ratio Adjustment (Cont'd)

F ■ IGN TIMING ADJ ■ □

IGNITION TIMING FEEDBACK CONTROL WILL BE HELD BY TOUCHING START. AFTER DOING SO, ADJUST IGNITION TIMING WITH A TIMING LIGHT BY TURNING THE CAMSHAFT POSITION SENSOR.

START

SEF546N



H

BACK

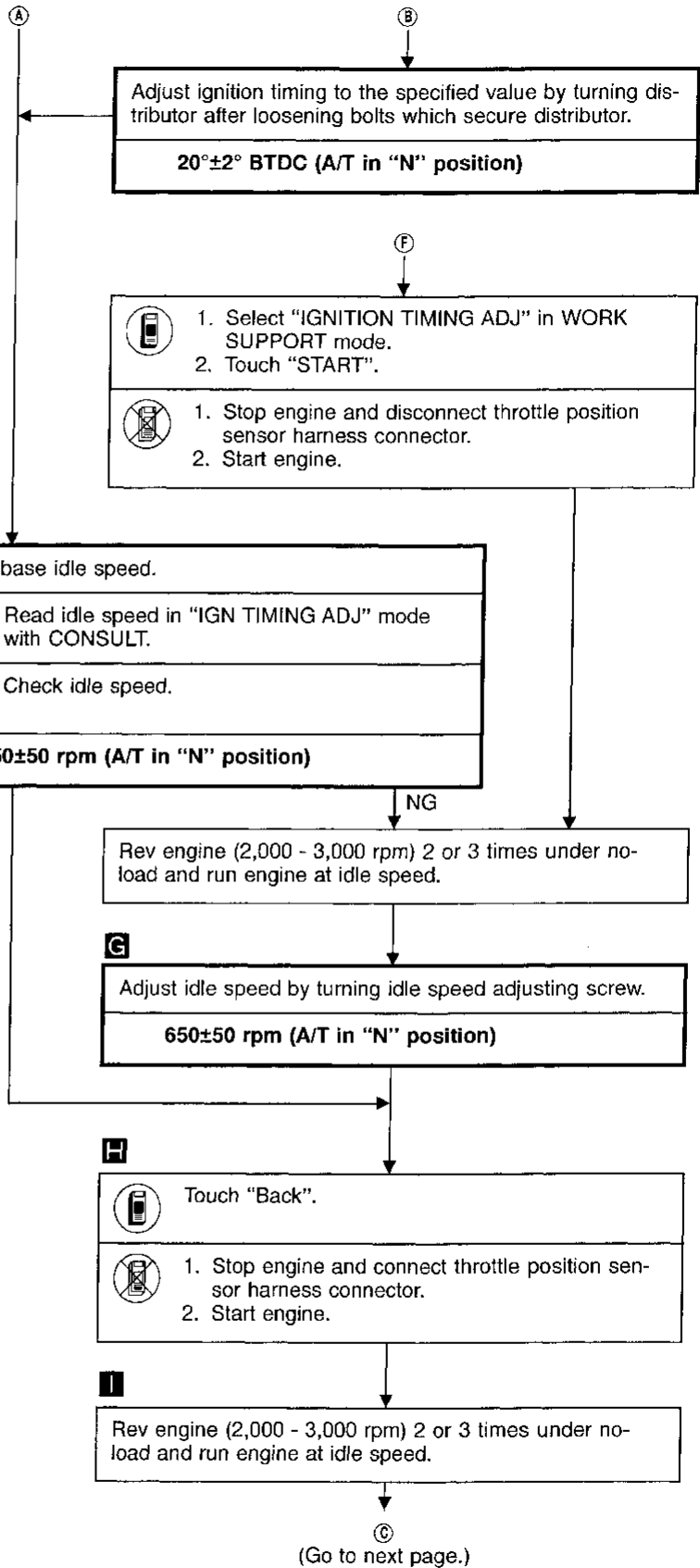
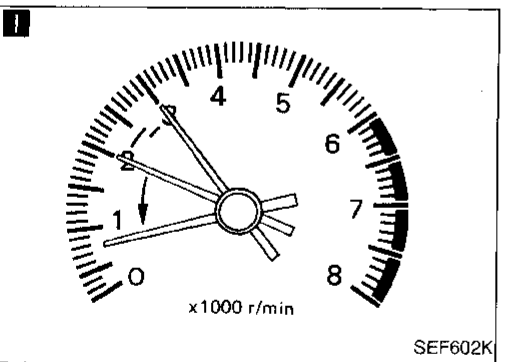
MODE

LIGHT ON

LIGHT OFF

ENTER

SEF913J



BASIC SERVICE PROCEDURE

Idle Speed/Ignition Timing/Idle Mixture Ratio Adjustment (Cont'd)

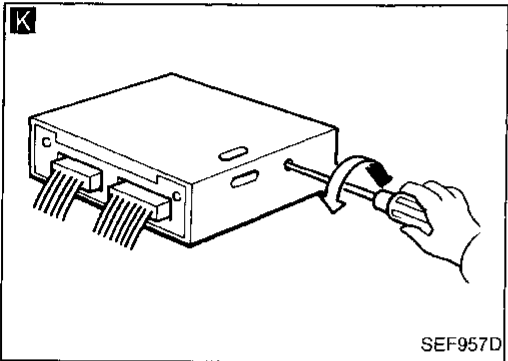
J

☆ MONITOR ☆ NO FAIL

CMPS•RPM(REF) 700rpm

RECORD

SEF190P



K

☆ MONITOR ☆ NO FAIL

CMPS•RPM (REF) 2000rpm

FR O2 MNTR RICH

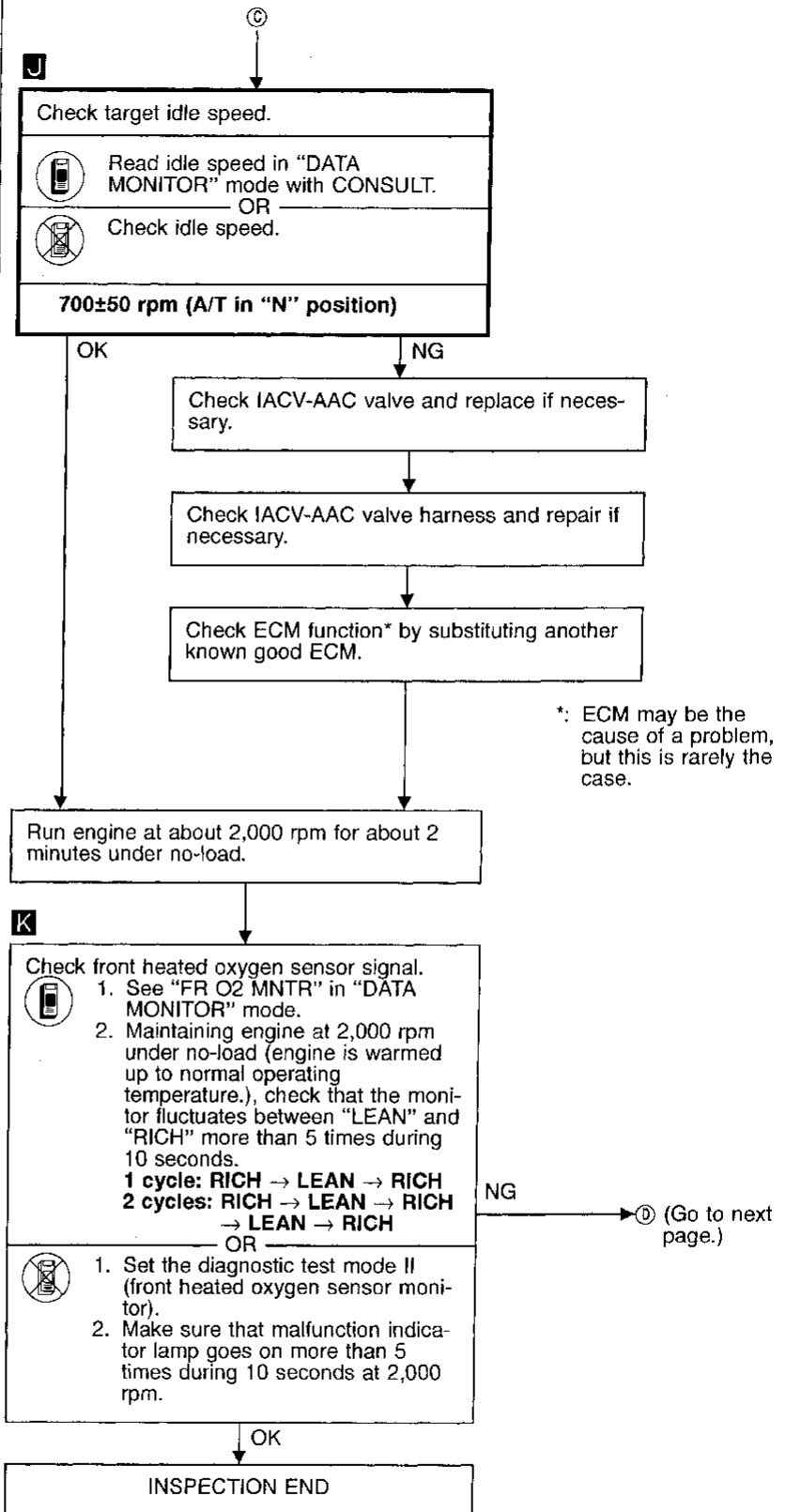
RECORD

SEF054P

K

SERVICE ENGINE SOON

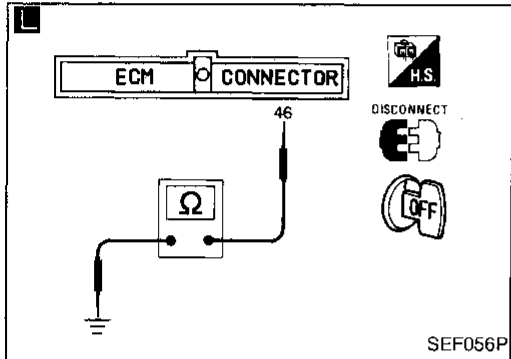
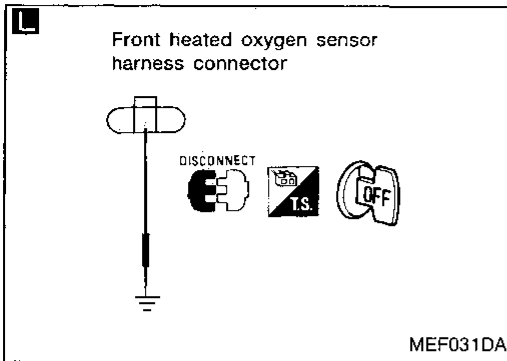
SEF217U



GI
MA
EM
LC
EC
FE
CL
MT
AT
PD
FA
RA
BR
ST
RS
BT
HA
EL
IDX

BASIC SERVICE PROCEDURE

Idle Speed/Ignition Timing/Idle Mixture Ratio Adjustment (Cont'd)



- L**
- Check front heated oxygen sensor harness:
1. Turn off engine and disconnect battery ground cable.
 2. Disconnect ECM harness connector from ECM.
 3. Disconnect front heated oxygen sensor harness connector and connect terminal for front heated oxygen sensor to ground with a jumper wire.
 4. Check for continuity between terminal No. 46 of ECM harness connector and ground metal on vehicle body.

Continuity exists ... OK
Continuity does not exist ... NG

Repair harness.

Ⓟ
(Go to EC-30.)

OK

Connect ECM harness connector to ECM.

- Ⓜ
1. Select "ENG COOLANT TEMP" in "ACTIVE TEST" mode.
 2. Set "COOLANT TEMP" at 5°C (41°F).

- Ⓜ
1. Disconnect engine coolant temperature sensor harness connector.
 2. Connect a resistor (4.4 kΩ) between terminals of engine coolant temperature sensor harness connector.

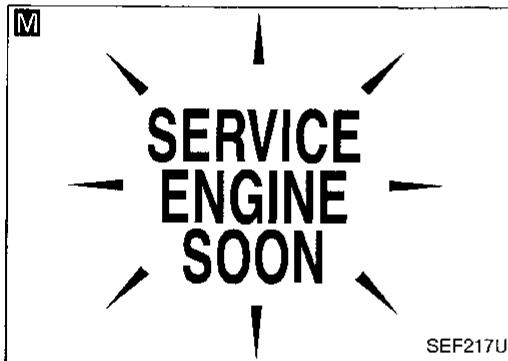
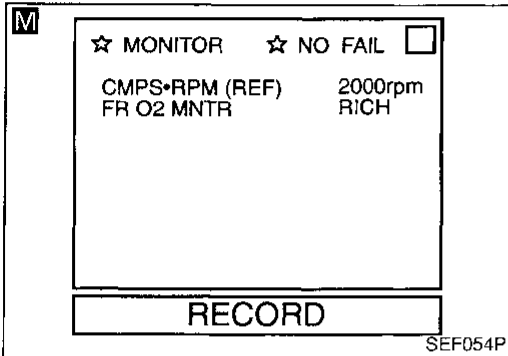
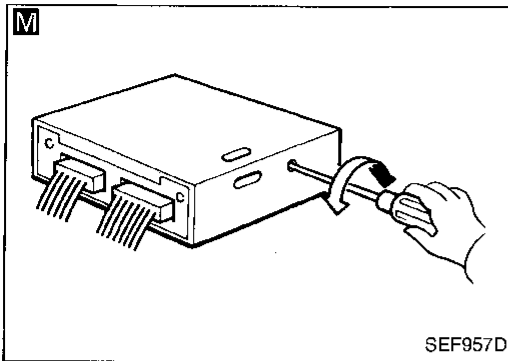
Start engine and warm it up until engine coolant temperature indicator points to the middle of gauge.
(Be careful to start engine after setting "COOLANT TEMP" or installing a 4.4 kΩ resistor.)

Rev engine two or three times under no-load then run engine at idle speed.

Ⓜ
(Go to next page.)

BASIC SERVICE PROCEDURE

Idle Speed/Ignition Timing/Idle Mixture Ratio Adjustment (Cont'd)



Check "CO"%.

Idle CO: Less than 5.3 - 12.8% and engine runs smoothly.

After checking "CO"%
 Touch "BACK".

1. Disconnect the resistor from terminals of engine coolant temperature sensor.
2. Connect engine coolant temperature sensor harness connector to engine coolant temperature sensor.

Replace front heated oxygen sensor.

1. See "FR O2 MNTR" in "DATA MONITOR" mode.
2. Maintaining engine at 2,000 rpm under no-load (engine is warmed up to normal operating temperature.), check that the monitor fluctuates between "LEAN" and "RICH" more than 5 times during 10 seconds.
1 cycle: RICH → LEAN → RICH
2 cycles: RICH → LEAN → RICH → LEAN → RICH

OR

1. Set the diagnostic test mode II (front heated oxygen sensor monitor).
2. Make sure that malfunction indicator lamp goes on more than 5 times during 10 seconds at 2,000 rpm.

Connect front heated oxygen sensor harness connector to front oxygen sensor.

Check fuel pressure regulator.

Check mass air flow sensor.

Check injector and clean or replace if necessary.

Check engine coolant temperature sensor.

Check ECM function* by substituting another known good ECM.

(Go to EC-30.)

*: ECM may be the cause of a problem, but this is rarely the case.

● If a vehicle contains a part which is operating outside of design specifications with no MIL illumination, the part shall not be replaced prior to emission testing unless it is determined that the part has been tampered with or abused in such a way that the diagnostic system cannot reasonably be expected to detect the resulting malfunction.

GI

MA

EM

LC

EC

FE

CL

MT

AT

PD

FA

RA

BR

ST

RS

BT

HA

EL

IDX

ON BOARD DIAGNOSTIC SYSTEM DESCRIPTION

Introduction

The ECM (ECCS control module) has an on board diagnostic system, which detects malfunctions related to engine sensors or actuators. The ECM also records various emission-related diagnostic information including:

- Diagnostic Trouble Code (DTC)Mode 3 of SAE J1979
- Freeze Frame dataMode 2 of SAE J1979
- System Readiness Test (SRT) codeMode 1 of SAE J1979
- 1st Trip Diagnostic Trouble Code (1st Trip DTC).....Mode 7 of SAE J1979
- 1st Trip Freeze Frame data
- Test values and Test limitsMode 6 of SAE J1979

The above information can be checked using procedures listed in the table below.

	DTC	1st trip DTC	Freeze Frame data	1st trip Freeze Frame data	SRT code	Test value
Diagnostic test mode II (Self-diagnostic results)	○	○*1				
CONSULT	○	○	○	○	○	
GST	○	○*2	○		○	○

*1: When DTC and 1st trip DTC simultaneously appear on the display, they cannot be clearly distinguished from each other.

*2: 1st trip DTCs for self-diagnoses concerning SRT items cannot be shown on the GST display.

The malfunction indicator lamp (MIL) on the instrument panel lights up when the same malfunction is detected in two consecutive trips (Two trip detection logic), or when the ECM enters fail-safe mode (Refer to EC-77.).

Two Trip Detection Logic

When a malfunction is detected for the first time, 1st trip DTC and 1st trip Freeze Frame data are stored in the ECM memory. The MIL will not light up at this stage. <1st trip>

If the same malfunction is detected again during the next drive, the DTC and Freeze Frame data are stored in the ECM memory, and the MIL lights up. The MIL lights up at the same time when the DTC is stored. <2nd trip> The "trip" in the "Two Trip Detection Logic" means a driving mode in which self-diagnosis is performed during vehicle operation. Specific on board diagnostic items will cause the ECM to light up or blink the MIL, and store DTC and Freeze Frame data, even in the 1st trip, as shown below.

Items	MIL			DTC		1st trip DTC	
	1st trip		2nd trip lighting up	1st trip displaying	2nd trip displaying	1st trip displaying	2nd trip displaying
	Blinking	Lighting up					
Misfire (Possible three way catalyst damage) — DTC: P0300 - P0304 (0701, 0605 - 0608) is being detected	X			X		X	
Misfire (Possible three way catalyst damage) — DTC: P0300 - P0304 (0701, 0605 - 0608) has been detected		X		X		X	
Closed loop control — DTC: P1148 (0307)		X		X		X	
Fail-safe items (Refer to EC-77.)		X		X*1		X*1	
Except above			X		X	X	X

*1: Except "ECM".

Emission-related Diagnostic Information

DTC AND 1ST TRIP DTC

The 1st trip DTC (whose number is the same as the DTC number) is displayed for the latest self-diagnostic result obtained. If the ECM memory was cleared previously, and the 1st trip DTC did not reoccur, the 1st trip DTC will not be displayed. If a malfunction is detected during the 1st trip, the 1st trip DTC is stored in the ECM memory. The MIL will not light up (two trip detection logic). If the same malfunction is not detected in the 2nd trip (meeting the required driving pattern), the 1st trip DTC is cleared from the ECM memory. If the same malfunction is detected in the 2nd trip, both the 1st trip DTC and DTC are stored in the ECM memory and the MIL lights up. In other words, the DTC is stored in the ECM memory and the MIL lights up when the same malfunction occurs in two consecutive trips. If a 1st trip DTC is stored and a non-diagnostic operation is performed between the 1st and 2nd trips, only the 1st trip DTC will continue to be stored. For malfunctions that blink or light up the MIL during the 1st trip, the DTC and 1st trip DTC are stored in the ECM memory.

Procedures for clearing the DTC and the 1st trip DTC from the ECM memory are described in "HOW TO ERASE EMISSION-RELATED DIAGNOSTIC INFORMATION". Refer to EC-44.


For malfunctions in which 1st trip DTCs are displayed, refer to EC-42. These items are required by legal regulations to continuously monitor the system/component. In addition, the items monitored non-continuously are also displayed on CONSULT.


1st trip DTC is specified in Mode 7 of SAE J1979. 1st trip DTC detection occurs without lighting up the MIL and therefore does not warn the driver of a problem. However, 1st trip DTC detection will not prevent the vehicle from being tested, for example during Inspection/Maintenance (I/M) tests.


When a 1st trip DTC is detected, check, print out or write down and erase (1st trip) DTC and Freeze Frame data as specified in "Work Flow" procedure Step II, refer to page EC-71. Then perform "Diagnostic trouble code confirmation procedure" or "Overall function check" to try to duplicate the problem. If the malfunction is duplicated, the item requires repair.

How to read DTC and 1st trip DTC

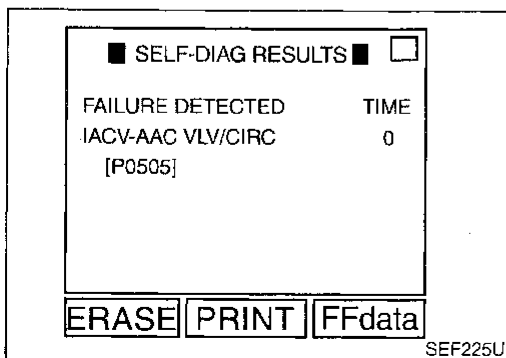
DTC and 1st trip DTC can be read by the following methods.

 1. The number of blinks of the malfunction indicator lamp in the Diagnostic Test Mode II (Self-Diagnostic Results) Examples: 0101, 0201, 1003, 1104, etc.
These DTCs are controlled by NISSAN.

 2. CONSULT or GST (Generic Scan Tool) Examples: P0340, P1320, P0705, P0750, etc.
These DTCs are prescribed by SAE J2012.

 (CONSULT also displays the malfunctioning component or system.)

- 1st trip DTC No. is the same as DTC No.
- Output of a DTC indicates a malfunction. However, Mode II and GST do not indicate whether the malfunction is still occurring or has occurred in the past and has returned to normal. CONSULT can identify malfunction status as shown below. Therefore, using CONSULT (if available) is recommended.

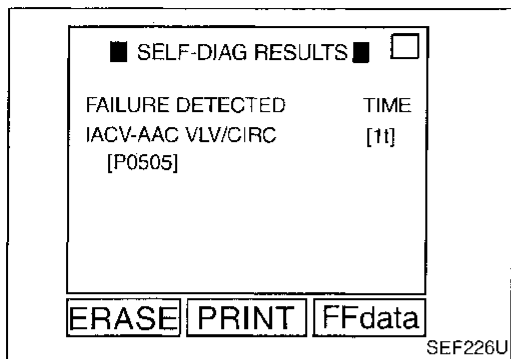


A sample of CONSULT display for DTC is shown at left. DTC or 1st trip DTC of a malfunction is displayed in SELF-DIAGNOSTIC RESULTS mode of CONSULT. Time data indicates how many times the vehicle was driven after the last detection of a DTC. If the DTC is being detected currently, the time data will be "0".

GI
 MA
 EM
 LC
EC
 FE
 CL
 MT
 AT
 PD
 FA
 RA
 BR
 ST
 RS
 BT
 HA
 EL
 IDX

ON BOARD DIAGNOSTIC SYSTEM DESCRIPTION

Emission-related Diagnostic Information (Cont'd)



If a 1st trip DTC is stored in the ECM, the time data will be "[1t]".

FREEZE FRAME DATA AND 1ST TRIP FREEZE FRAME DATA

The ECM records the driving conditions such as fuel system status, calculated load value, engine coolant temperature, short term fuel trim, long term fuel trim, engine speed, vehicle speed and absolute pressure sensor at the moment a malfunction is detected.

Data which are stored in the ECM memory, along with the 1st trip DTC, are called 1st trip freeze frame data. The data, stored together with the DTC data, are called freeze frame data and displayed on CONSULT or GST. The 1st trip freeze frame data can only be displayed on the CONSULT screen, not on the GST. For details, see EC-57.

Only one set of freeze frame data (either 1st trip freeze frame data or freeze frame data) can be stored in the ECM. 1st trip freeze frame data is stored in the ECM memory along with the 1st trip DTC. There is no priority for 1st trip freeze frame data and it is updated each time a different 1st trip DTC is detected. However, once freeze frame data (2nd trip detection/MIL on) is stored in the ECM memory, 1st trip freeze frame data is no longer stored. Remember, only one set of freeze frame data can be stored in the ECM. The ECM has the following priorities to update the data.

Priority	Items	
1	Freeze frame data	Misfire --- DTC: P0300 - P0304 (0701, 0605 - 0608) Fuel Injection System Function --- DTC: P0171 (0115), P0172 (0114)
2		Except the above items (Includes A/T related items)
3	1st trip freeze frame data	

For example, the EGR malfunction (Priority: 2) was detected and the freeze frame data was stored in the 2nd trip. After that when the misfire (Priority: 1) is detected in another trip, the freeze frame data will be updated from the EGR malfunction to the misfire. The 1st trip freeze frame data is updated each time a different malfunction is detected. There is no priority for 1st trip freeze frame data. However, once freeze frame data is stored in the ECM memory, first trip freeze data is no longer stored (because only one freeze frame data or first trip freeze frame data can be stored in the ECM). If freeze frame data is stored in the ECM memory and freeze frame data with the same priority occurs later, the first (original) freeze frame data remains unchanged in the ECM memory.

Both 1st trip freeze frame data and freeze frame data (along with the DTCs) are cleared when the ECM memory is erased. Procedures for clearing the ECM memory are described in "HOW TO ERASE EMISSION-RELATED DIAGNOSTIC INFORMATION". Refer to EC-44.

SYSTEM READINESS TEST (SRT) CODE

System Readiness Test (SRT) code is specified in Mode 1 of SAE J1979. It indicates whether the self-diagnostic tests for non-continuously monitored items have been completed or not.

Inspection/Maintenance (I/M) tests of the on board diagnostic (OBD) II system may become the legal requirements in some states/areas. All SRT codes must be set in this case. Unless all SRT codes are set, conducting the I/M test may not be allowed.

SRT codes are set after self-diagnosis has been performed one or more times. This occurs regardless of whether the diagnosis is in "OK" or "NG", and whether or not the diagnosis is performed in consecutive trips. The following table lists the five SRT items (18 test items) for the ECCS used in S14 models.

ON BOARD DIAGNOSTIC SYSTEM DESCRIPTION

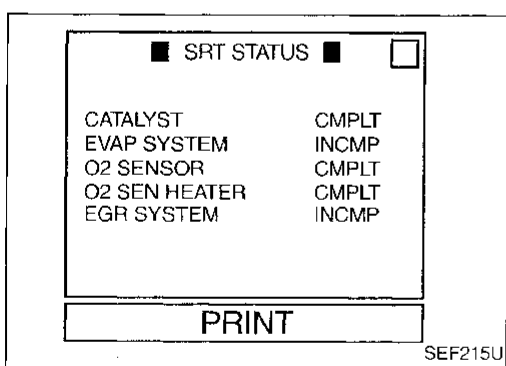
Emission-related Diagnostic Information (Cont'd)

SRT items	Self-diagnostic test items
Catalyst monitoring	<ul style="list-style-type: none"> • Three way catalyst function P0420 (0702)
EVAP system monitoring	<ul style="list-style-type: none"> • EVAP control system (Small leak — Negative pressure) P0440 (0705) • EVAP control system (Small leak — Positive pressure) P1440 (0213) • EVAP control system purge flow monitoring P1447 (0111)
Oxygen sensor monitoring	<ul style="list-style-type: none"> • Front heated oxygen sensor (Response monitoring) P0133 (0409) • Front heated oxygen sensor (Rich shift monitoring) P0132 (0410) • Front heated oxygen sensor (Lean shift monitoring) P0131 (0411) • Front heated oxygen sensor (Circuit) P0130 (0303) • Front heated oxygen sensor (High voltage) P0134 (0412) • Rear heated oxygen sensor (Response monitoring) P0139 (0707) • Rear heated oxygen sensor (Max. voltage monitoring) P0138 (0510) • Rear heated oxygen sensor (Min. voltage monitoring) P0137 (0511) • Rear heated oxygen sensor (High voltage) P0140 (0512)
Oxygen sensor heater monitoring	<ul style="list-style-type: none"> • Front heated oxygen sensor heater P0135 (0901) • Rear heated oxygen sensor heater P0141 (0902)
EGR system monitoring	<ul style="list-style-type: none"> • EGR function (Close) P0400 (0302) • EGR function (Open) P1402 (0514) • EGRC-BPT valve function P0402 (0306)

Together with the DTC, the SRT code is cleared from the ECM memory using the method described later (Refer to EC-44). In addition, after ECCS components/system are repaired or if the battery terminals remain disconnected for more than 24 hours, all SRT codes may be cleared from the ECM memory.

How to display SRT code

1. Selecting "SRT STATUS" in "DTC CONFIRMATION" mode with CONSULT.
For items whose SRT codes are set, a "CMPLT" is displayed on the CONSULT screen; for items whose SRT codes are not set, "INCMP" is displayed.
2. Selecting Mode 1 with GST (Generic Scan Tool)



A sample of CONSULT display for SRT code is shown at left. "INCMP" means the self-diagnosis is incomplete and SRT is not set. "CMPLT" means the self-diagnosis is complete and SRT is set.

How to set SRT code

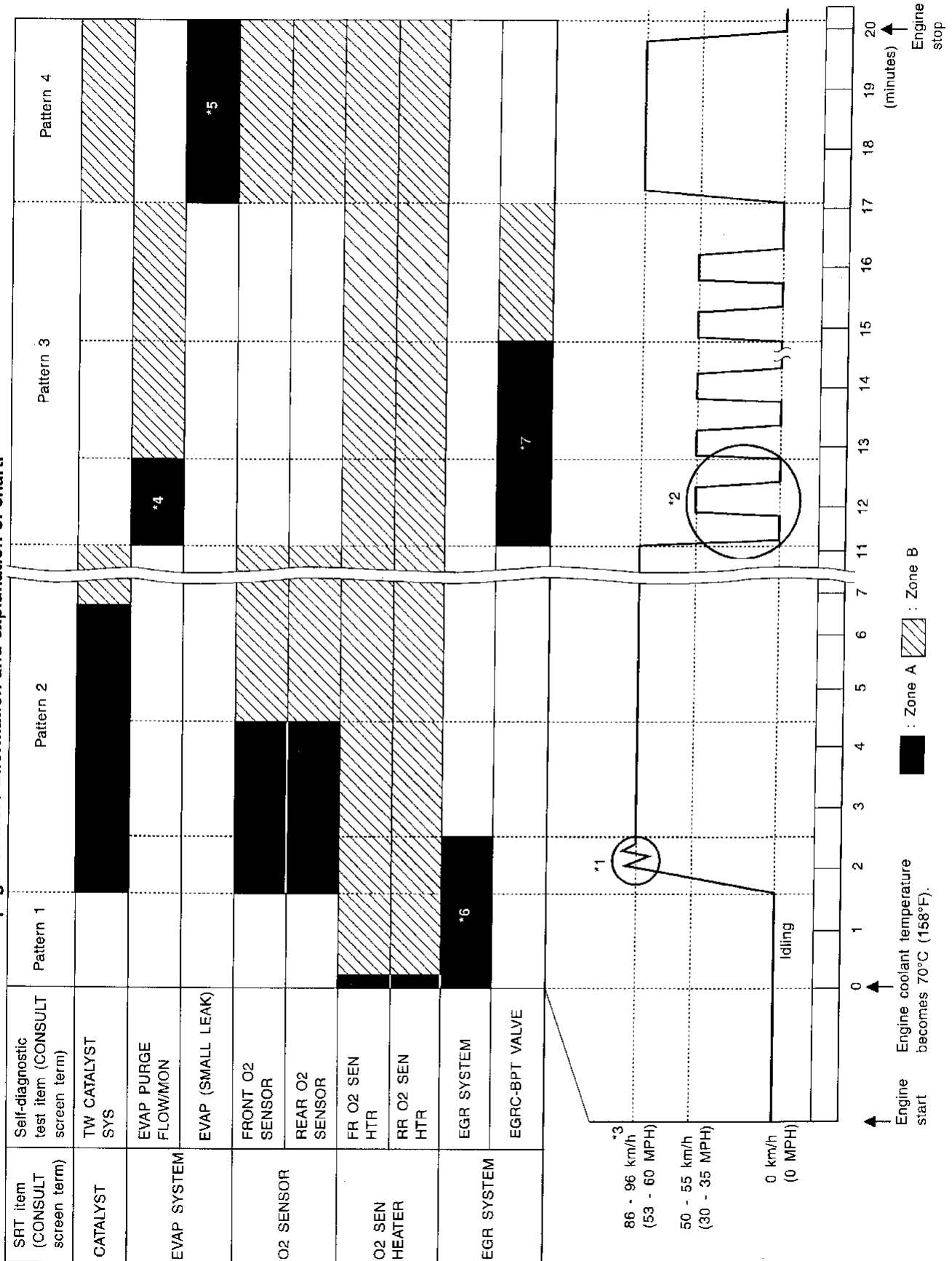
To set all SRT codes, self-diagnosis for the items indicated above must be performed one or more times. Each diagnosis may require a long period of actual driving under various conditions. The most efficient driving pattern in which SRT codes can be properly set is explained on the next page. The driving pattern should be performed one or more times to set all SRT codes.

ON BOARD DIAGNOSTIC SYSTEM DESCRIPTION

Emission-related Diagnostic Information (Cont'd)

Driving pattern

Note: Always drive vehicle in safe manner according to traffic conditions and obey all traffic laws. Refer to next page for more information and explanation of chart.



ON BOARD DIAGNOSTIC SYSTEM DESCRIPTION

Emission-related Diagnostic Information (Cont'd)

- The time required for each diagnosis varies with road surface conditions, weather, altitude, individual driving habits, etc.

Zone A refers to the range where the time required, for the diagnosis under normal conditions*, is the shortest. Zone B refers to the range where the diagnosis can still be performed if the diagnosis is not completed within zone A.

*: Normal conditions refer to the following:

- Sea level
- Flat road
- Ambient air temperature: 20 - 30°C (68 - 86°F)
- Diagnosis is performed as quickly as possible under normal conditions.

Under different conditions [For example: ambient air temperature other than 20 - 30°C (68 - 86°F)], diagnosis may also be performed.

- Pattern 1:
- The engine is started at the engine coolant temperature of -10 to 35°C (14 to 95°F) (where the voltage between the ECM terminals ⑤ and ⑥ is 3.0 - 4.3V).
 - The engine must be operated at idle speed until the engine coolant temperature is greater than 70°C (158°F) (where the voltage between the ECM terminals ⑤ and ⑥ is lower than 1.4V).
 - The engine is started at the tank fuel temperature of warmer than 0°C (32°F) (where the voltage between the ECM terminal ③ and ground is less than 4.1V).

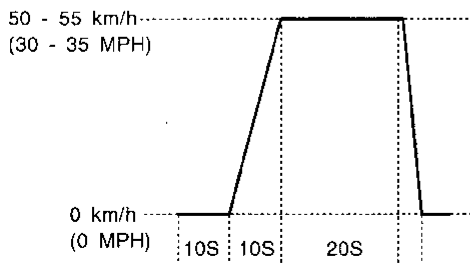
- Pattern 2:
- When steady-state driving is performed again even after it is interrupted, each diagnosis can be conducted. In this case, the time required for diagnosis may be extended.

- Pattern 3:
- The driving pattern outlined in *2 must be repeated at least 3 times.
On M/T models, shift gears following "suggested upshift speeds" schedule at right.

- Pattern 4:
- Tests are performed after the engine has been operated for at least 17 minutes.
 - The accelerator pedal must be held very steady during steady-state driving.
 - If the accelerator pedal is moved, the test must be conducted all over again.

- *1: Depress the accelerator pedal until vehicle speed is 90 km/h (56 MPH), then release the accelerator pedal and keep it released for more than 10 seconds. Depress the accelerator pedal until vehicle speed is 90 km/h (56 MPH) again.

- *2: Operate the vehicle in the following driving pattern.
- 1) Decelerate vehicle to 0 km/h and let engine idle.
 - 2) Repeat driving pattern shown below at least 10 times.
 - During acceleration, hold the accelerator pedal as steady as possible. (The THROTL POS SEN value of CONSULT should be between 0.8 to 1.2V.)
 - 3) Repeat steps 1 and 2 until the EGR system SRT is set.



SEF414S

- *3: Checking the vehicle speed with CONSULT or GST is advised.
- *4: The driving pattern may be omitted when "PURG FLOW P1447" is performed using the "DTC WORK SUPPORT" mode with CONSULT.
- *5: The driving pattern may be omitted when "EVAP SML LEAK P0440" is performed using the "DTC WORK SUPPORT" mode with CONSULT.
- *6: The driving pattern may be omitted when all the followings are performed using the "DTC WORK SUPPORT" mode with CONSULT.
- "EGR SYSTEM P0400"
 - "EGR SYSTEM P1402"
- *7: The driving pattern may be omitted when all the followings are performed using the "DTC WORK SUPPORT" mode with CONSULT.
- "PURGE FLOW P1447"
 - "EGRC-BPT/LV P0402"

GI

MA

EM

LC

EC

FE

CL

MT

AT

PD

FA

RA

BR

ST

RS

BT

HA

EL

IDX

ON BOARD DIAGNOSTIC SYSTEM DESCRIPTION

Emission-related Diagnostic Information (Cont'd)

Suggested transmission gear position for A/T models

Set the selector lever in the "D" position with "OD" ON.

Suggested upshift speeds for M/T models

Shown below are suggested vehicle speeds for shifting into a higher gear. These suggestions relate to fuel economy and vehicle performance. Actual upshift speeds will vary according to road conditions, the weather and individual driving habits.

For normal acceleration in low altitude areas [less than 1,219 m (4,000 ft)]:

Gear change	ACCEL shift point km/h (MPH)	CRUISE shift point km/h (MPH)
1st to 2nd	24 (15)	24 (15)
2nd to 3rd	40 (25)	29 (18)
3rd to 4th	58 (36)	48 (30)
4th to 5th	64 (40)	63 (39)

For quick acceleration in low altitude areas and high altitude areas [over 1,219 m (4,000 ft)]:

Gear change	km/h (MPH)
1st to 2nd	24 (15)
2nd to 3rd	40 (25)
3rd to 4th	64 (40)
4th to 5th	72 (45)

Suggested maximum speed in each gear

Downshift to a lower gear if the engine is not running smoothly, or if you need to accelerate.

Do not exceed the maximum suggested speed (shown below) in any gear. For level road driving, use the highest gear suggested for that speed. Always observe posted speed limits and drive according to the road conditions to ensure safe operation. Do not over-rev the engine when shifting to a lower gear as it may cause engine damage or loss of vehicle control.

Gear	km/h (MPH)
1st	50 (30)
2nd	95 (60)

ON BOARD DIAGNOSTIC SYSTEM DESCRIPTION

Emission-related Diagnostic Information (Cont'd)

TEST VALUE AND TEST LIMIT (GST only — not applicable to CONSULT)

The following is the information specified in Mode 6 of SAE J1979.

The test value is a parameter used to determine whether a system/circuit diagnostic test is "OK" or "NG" while being monitored by the ECM during self-diagnosis. The test limit is a reference value which is specified as the maximum or minimum value and is compared with the test value being monitored.

Items for which these data (test value and test limit) are displayed are the same as SRT code items (9 test items).

These data (test value and test limit) are specified by Test ID (TID) and Component ID (CID) and can be displayed on the GST screen.

X: Applicable
—: Not applicable

SRT item (CONSULT display)	Self-diagnostic test item	Test value (GST display)		Test limit	Application
		TID	CID		
CATALYST	Three way catalyst function	01H	01H	Max.	X
		02H	81H	Min.	X
EVAP SYSTEM	EVAP control system (Small leak)	05H	03H	Max.	X
	EVAP control system purge flow monitoring	06H	83H	Min.	X
O2 SENSOR	Front heated oxygen sensor	09H	04H	Max.	X
		0AH	84H	Min.	X
		0BH	04H	Max.	X
		0CH	04H	Max.	X
	Rear heated oxygen sensor	19H	86H	Min.	X
		1AH	86H	Min.	X
		1BH	06H	Max.	X
		1CH	06H	Max.	X
O2 SENSOR HEATER	Front heated oxygen sensor heater	29H	08H	Max.	X
		2AH	88H	Min.	X
	Rear heated oxygen sensor heater	2DH	0AH	Max.	X
		2EH	8AH	Min.	X
EGR SYSTEM	EGR function	31H	8CH	Min.	X
		32H	8CH	Min.	X
		33H	8CH	Min.	X
		34H	8CH	Min.	X
		35H	0CH	Max.	X
	EGRC-BPT valve function	36H	0CH	Max.	X
		37H	8CH	Min.	X

GI

MA

EM

LC

EC

FE

CL

MT

AT

PD

FA

RA

BR

ST

RS

BT

HA

EL

IDX

ON BOARD DIAGNOSTIC SYSTEM DESCRIPTION

Emission-related Diagnostic Information (Cont'd)

EMISSION-RELATED DIAGNOSTIC INFORMATION ITEMS

X: Applicable
—: Not applicable

Items (CONSULT screen terms)	DTC*4		SRT code	Test value/ Test limit	1st trip DTC	Reference page
	CONSULT GST*2	ECM*1				
NO SELF DIAGNOSTIC FAILURE INDICATED	P0000	0505	—	—	—	—
MAF SEN/CIRCUIT	P0100	0102	—	—	X	EC-102
ABSL PRES SEN/CIRC	P0105	0803	—	—	X	EC-111
AIR TEMP SEN/CIRC	P0110	0401	—	—	X	EC-119
COOLANT T SEN/CIRC	P0115	0103	—	—	X	EC-125
THRRTL POS SEN/CIRC	P0120	0403	—	—	X	EC-130
*COOLAN T SEN/CIRC	P0125	0908	—	—	X	EC-141
FRONT O2 SENSOR	P0130	0303	X	X	X*3	EC-146
FRONT O2 SENSOR	P0131	0411	X	X	X*3	EC-152
FRONT O2 SENSOR	P0132	0410	X	X	X*3	EC-158
FRONT O2 SENSOR	P0133	0409	X	X	X*3	EC-164
FRONT O2 SENSOR	P0134	0412	X	X	X*3	EC-172
FR O2 SEN HEATER	P0135	0901	X	X	X*3	EC-177
REAR O2 SENSOR	P0137	0511	X	X	X*3	EC-181
REAR O2 SENSOR	P0138	0510	X	X	X*3	EC-188
REAR O2 SENSOR	P0139	0707	X	X	X*3	EC-195
REAR O2 SENSOR	P0140	0512	X	X	X*3	EC-201
RR O2 SEN HEATER	P0141	0902	X	X	X*3	EC-206
FUEL SYS DIAG-LEAN	P0171	0115	—	—	X	EC-210
FUEL SYS DIAG-RICH	P0172	0114	—	—	X	EC-215
FUEL TEMP SEN/CIRC	P0180	0402	—	—	X	EC-220
MULTI CYL MISFIRE	P0300	0701	—	—	X	EC-224
CYL 1 MISFIRE	P0301	0608	—	—	X	EC-224
CYL 2 MISFIRE	P0302	0607	—	—	X	EC-224
CYL 3 MISFIRE	P0303	0606	—	—	X	EC-224
CYL 4 MISFIRE	P0304	0605	—	—	X	EC-224
KNOCK SEN/CIRCUIT	P0325	0304	—	—	X	EC-229
CPS/CIRCUIT (OBD)	P0335	0802	—	—	X	EC-232
CAM POS SEN/CIR	P0340	0101	—	—	X	EC-237
EGR SYSTEM	P0400	0302	X	X	X*3	EC-243
EGRC-BPT VALVE	P0402	0306	X	X	X*3	EC-251
TW CATALYST SYSTEM	P0420	0702	X	X	X*3	EC-256
EVAP SMALL LEAK	P0440	0705	X	X	X*3	EC-260
PURG VOLUME CONT/V	P0443	1008	—	—	X	EC-271
VENT CONTROL VALVE	P0446	0903	—	—	X	EC-277
EVAPO SYS PRES SEN	P0450	0704	—	—	X	EC-282

*1: In Diagnostic Test Mode II (Self-diagnostic results). These numbers are controlled by NISSAN.

*2: These numbers are prescribed by SAE J2012.

*3: These are not displayed with GST.

*4: 1st trip DTC No. is the same as DTC No.

ON BOARD DIAGNOSTIC SYSTEM DESCRIPTION

Emission-related Diagnostic Information (Cont'd)

X: Applicable
—: Not applicable

Items (CONSULT screen terms)	DTC*4		SRT code	Test value/ Test limit	1st trip DTC	Reference page
	CONSULT GST*2	ECM*1				
VEH SPEED SEN/CIRC	P0500	0104	—	—	X	EC-287
IACV/AAC VLV/CIRC	P0505	0205	—	—	X	EC-291
CLOSED TP SW/CIRC	P0510	0203	—	—	X	EC-298
A/T COMM LINE	P0600	—	—	—	—	EC-303
ECM	P0605	0301	—	—	X	EC-306
INHIBITOR SW/CIRC	P0705	1101	—	—	X	AT-78
ATF TEMP SEN/CIRC	P0710	1208	—	—	X	AT-82
VEH SPD SEN/CIR AT	P0720	1102	—	—	X	AT-86
ENGINE SPEED SIG	P0725	1207	—	—	X	AT-89
A/T 1ST GR FNCTN	P0731	1103	—	—	X	AT-92
A/T 2ND GR FNCTN	P0732	1104	—	—	X	AT-97
A/T 3RD GR FNCTN	P0733	1105	—	—	X	AT-101
A/T 4TH GR FNCTN	P0734	1106	—	—	X	AT-105
TCC SOLENOID/CIRC	P0740	1204	—	—	X	AT-113
A/T TCC S/V FNCTN	P0744	1107	—	—	X	AT-117
L/PRESS SOL/CIRC	P0745	1205	—	—	X	AT-124
SFT SOL A/CIRC	P0750	1108	—	—	X	AT-128
SFT SOL B/CIRC	P0755	1201	—	—	X	AT-132
MAP/BAR SW SOL/CIR	P1105	1302	—	—	X	EC-308
CLOSED LOOP	P1148	0307	—	—	X	EC-316
IGN SIGNAL-PRIMARY	P1320	0201	—	—	X	EC-318
CPS/CIRC (OBD) COG	P1336	0905	—	—	X	EC-324
EGRC SOLENOID/V	P1400	1005	—	—	X	EC-329
EGR TEMP SEN/CIRC	P1401	0305	—	—	X	EC-334
EGR SYSTEM	P1402	0514	X	X	X*3	EC-340
EVAP SMALL LEAK	P1440	0213	X	X	X*3	EC-347
PURG VOLUME CONT/V	P1444	0214	—	—	X	EC-358
VENT CONTROL VALVE	P1446	0215	—	—	X	EC-365
EVAP PURG FLOW/MON	P1447	0111	X	X	X*3	EC-370
VENT CONTROL VALVE	P1448	0309	—	—	X	EC-378
VC/V BYPASS/V	P1490	0801	—	—	X	EC-383
VC CUT/V BYPASS/V	P1491	0311	—	—	X	EC-388
PURG CONT/V S/V	P1492	0807	—	—	X	EC-393
PURG CONT/V & S/V	P1493	0312	—	—	X	EC-398
A/T DIAG COMM LINE	P1605	0804	—	—	X	EC-405
TP SEN/CIRC AT	P1705	1206	—	—	X	AT-136
P-N POS SW/CIRCUIT	P1706	1003	—	—	X	EC-408
O/R CLTCH SOL/CIRC	P1760	1203	—	—	X	AT-142

*1: In Diagnostic Test Mode II (Self-diagnostic results). These numbers are controlled by NISSAN.

*2: These numbers are prescribed by SAE J2012.

*3: These are not displayed with GST.

*4: 1st trip DTC No. is the same as DTC No.

ON BOARD DIAGNOSTIC SYSTEM DESCRIPTION

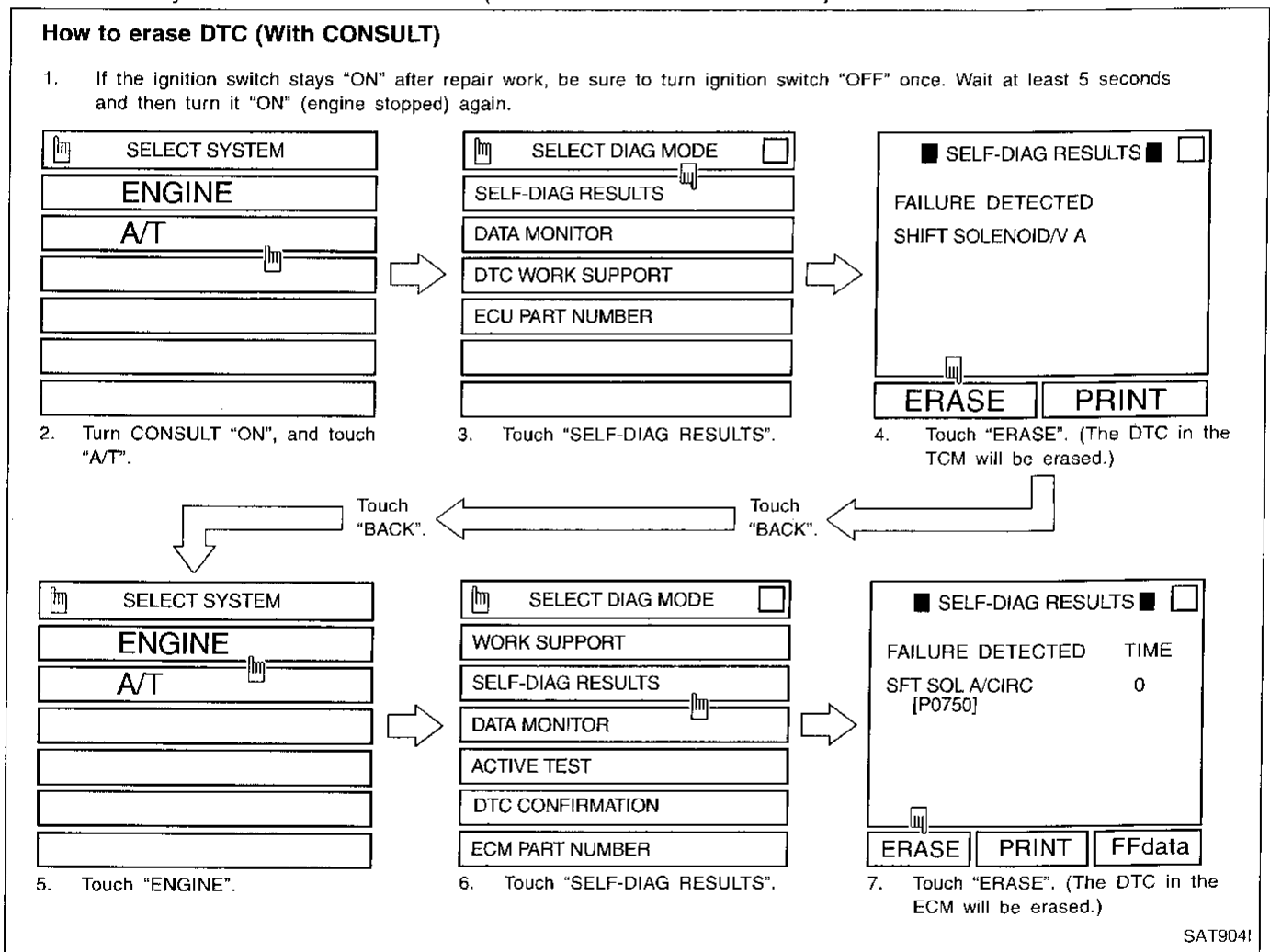
Emission-related Diagnostic Information (Cont'd)

HOW TO ERASE EMISSION-RELATED DIAGNOSTIC INFORMATION

How to erase DTC (With CONSULT)

Note: If the diagnostic trouble code is not for A/T related items (see EC-2), skip steps 2 through 4.

1. If the ignition switch stays "ON" after repair work, be sure to turn ignition switch "OFF" once. Wait at least 5 seconds and then turn it "ON" (engine stopped) again.
 2. Turn CONSULT "ON" and touch "A/T".
 3. Touch "SELF-DIAG RESULTS".
 4. Touch "ERASE". [The DTC in the TCM (Transmission control module) will be erased.] Then touch "BACK" twice.
 5. Touch "ENGINE".
 6. Touch "SELF-DIAG RESULTS".
 7. Touch "ERASE". (The DTC in the ECM will be erased.)
- If DTCs are displayed for both ECM and TCM (Transmission control module), they need to be erased individually from the ECM and TCM (Transmission control module).



The emission-related diagnostic information in the ECM can be erased by selecting "ERASE" in the "SELF-DIAG RESULTS" mode with CONSULT.

How to erase DTC (With GST)

Note: If the diagnostic trouble code is not for A/T related items (see EC-2), skip step 2.

1. If the ignition switch stays "ON" after repair work, be sure to turn ignition switch "OFF" once. Wait at least 5 seconds and then turn it "ON" (engine stopped) again.

ON BOARD DIAGNOSTIC SYSTEM DESCRIPTION

Emission-related Diagnostic Information (Cont'd)

2. Perform "SELF-DIAGNOSTIC PROCEDURE (Without CONSULT)" in AT section titled "TROUBLE DIAGNOSIS", "Self-diagnosis". (The engine warm-up step can be skipped when performing the diagnosis only to erase the DTC.)
3. Select Mode 4 with GST (Generic Scan Tool).
The emission-related diagnostic information in the ECM can be erased by selecting Mode 4 with GST (Generic Scan Tool).

GI

MA



How to erase DTC (No Tools)

Note: If the diagnostic trouble code is not for A/T related items (see EC-2), skip step 2.

1. If the ignition switch stays "ON" after repair work, be sure to turn ignition switch "OFF" once. Wait at least 5 seconds and then turn it "ON" again.
2. Perform "SELF-DIAGNOSTIC PROCEDURE (Without CONSULT)" in AT section titled "TROUBLE DIAGNOSIS", "Self-diagnosis". (The engine warm-up step can be skipped when performing the diagnosis only to erase the DTC.)
3. Change the diagnostic test mode from Mode II to Mode I by turning the mode selector on the ECM. (See EC-47.)

EM

LC

EC

The emission-related diagnostic information in the ECM can be erased by changing the diagnostic test mode from Diagnostic Test Mode II to Mode I by turning the mode selector on the ECM. (Refer to EC-47.)

FE

Note:

- If the battery is disconnected, the emission-related diagnostic information will be lost after approx. 24 hours.
- Erasing the emission-related diagnostic information using CONSULT or GST is easier and quicker than switching the mode selector on the ECM.
- The following data are cleared when the ECM memory is erased.
 1. Diagnostic trouble codes
 2. 1st trip diagnostic trouble codes
 3. Freeze frame data
 4. 1st trip freeze frame data
 5. System readiness test (SRT) codes
 6. Test values
 7. Others

CL

MT

AT

PD

Actual work procedures are explained using a DTC as an example. Be careful so that not only the DTC, but all of the data listed above, are cleared from the ECM memory during work procedures.

FA

RA

BR

ST

RS

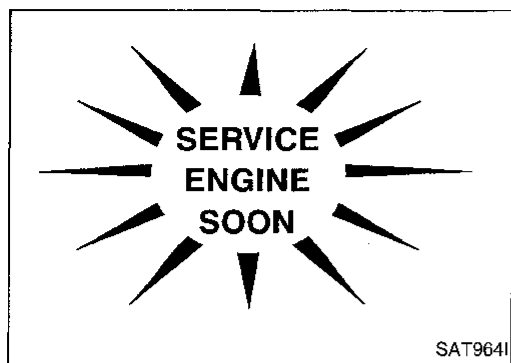
BT

HA

EL

DX

ON BOARD DIAGNOSTIC SYSTEM DESCRIPTION



Malfunction Indicator Lamp (MIL)

1. The malfunction indicator lamp will light up when the ignition switch is turned ON without the engine running. This is a bulb check.
 - If the malfunction indicator lamp does not light up, refer to EL section ("WARNING LAMPS AND CHIME") or see EC-452.
2. When the engine is started, the malfunction indicator lamp should go off. If the lamp remains on, the on board diagnostic system has detected an engine system malfunction.

ON BOARD DIAGNOSTIC SYSTEM FUNCTION

The on board diagnostic system has the following four functions.

Diagnostic Test Mode I




1. BULB CHECK : This function checks the MIL bulb for damage (blown, open circuit, etc.).
If the MIL does not come on, check MIL circuit and ECM test mode selector. (See next page.)
2. MALFUNCTION WARNING : This is a usual driving condition. When a malfunction is detected twice in two consecutive driving cycles (two trip detection logic), the MIL will light up to inform the driver that a malfunction has been detected. The following malfunctions will light up or blink the MIL in the 1st trip.
 - "Misfire (Possible three way catalyst damage)"
 - "Closed loop control"
 - Fail-safe mode

Diagnostic Test Mode II

3. SELF-DIAGNOSTIC RESULTS : This function allows DTCs and 1st trip DTCs to be read.
4. FRONT HEATED OXYGEN SENSOR MONITOR : This function allows the fuel mixture condition (lean or rich), monitored by front heated oxygen sensor, to be read.

MIL flashing without DTC

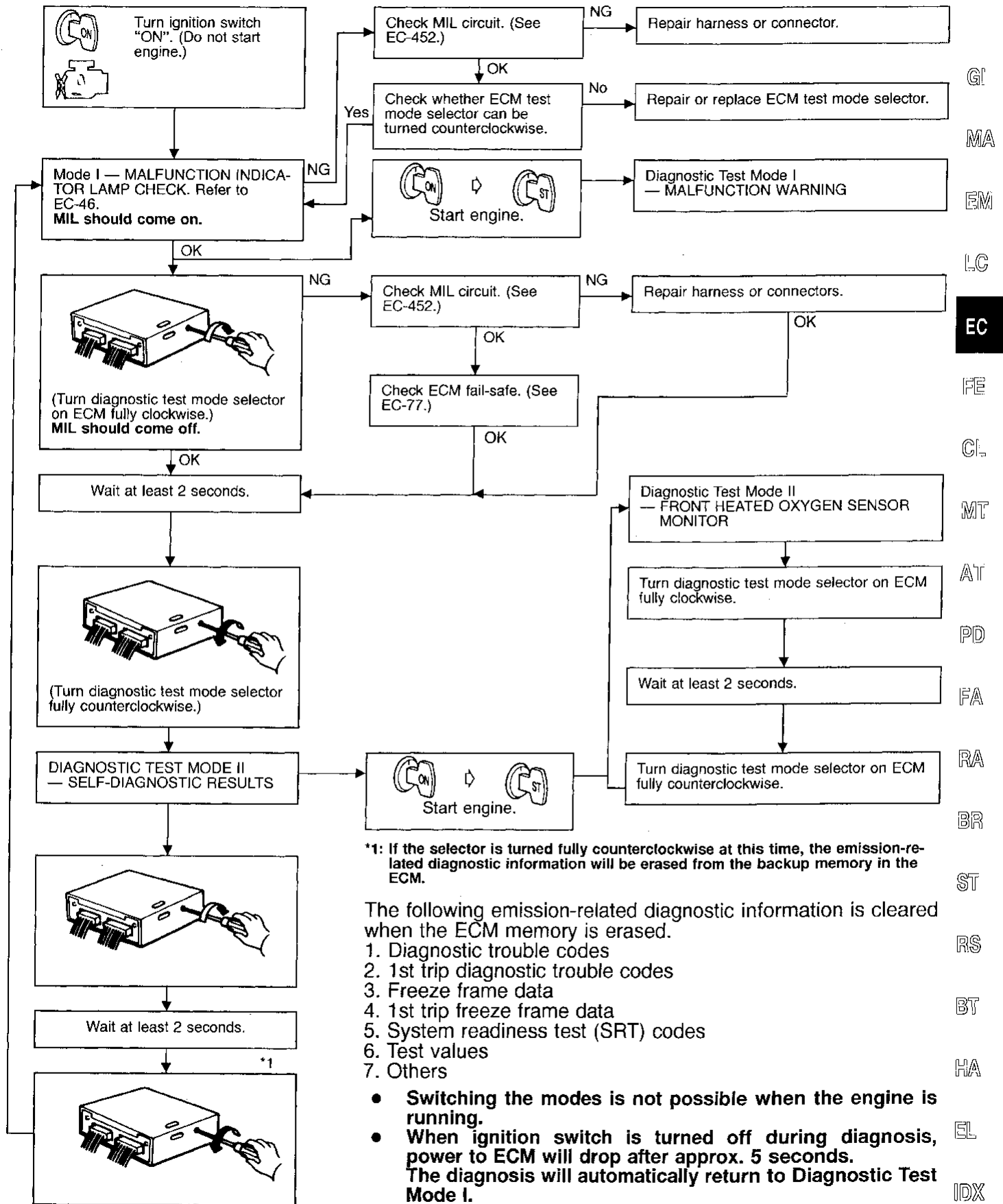
If the ECM is in Diagnostic Test Mode II, MIL may flash when engine is running. In this case, check ECM test mode selector following "HOW TO SWITCH DIAGNOSTIC TEST MODES" on next page. How to switch the diagnostic test (function) modes, and details of the above functions are described later. (Refer to EC-47.)

Condition		Diagnostic Test Mode I	Diagnostic Test Mode II
Ignition switch in "ON" position 	Engine stopped 	BULB CHECK	SELF-DIAGNOSTIC RESULTS
	Engine running 	MALFUNCTION WARNING	FRONT HEATED OXYGEN SENSOR MONITOR

ON BOARD DIAGNOSTIC SYSTEM DESCRIPTION

Malfunction Indicator Lamp (MIL) (Cont'd)

HOW TO SWITCH DIAGNOSTIC TEST MODES



*1: If the selector is turned fully counterclockwise at this time, the emission-related diagnostic information will be erased from the backup memory in the ECM.

The following emission-related diagnostic information is cleared when the ECM memory is erased.

1. Diagnostic trouble codes
2. 1st trip diagnostic trouble codes
3. Freeze frame data
4. 1st trip freeze frame data
5. System readiness test (SRT) codes
6. Test values
7. Others

- Switching the modes is not possible when the engine is running.
- When ignition switch is turned off during diagnosis, power to ECM will drop after approx. 5 seconds. The diagnosis will automatically return to Diagnostic Test Mode I.
- Turn back diagnostic test mode selector to the fully counterclockwise position whenever vehicle is in use.

ON BOARD DIAGNOSTIC SYSTEM DESCRIPTION

Malfunction Indicator Lamp (MIL) (Cont'd)

DIAGNOSTIC TEST MODE I — BULB CHECK

In this mode, the MALFUNCTION INDICATOR LAMP on the instrument panel should stay ON. If it remains OFF, check the bulb. Refer to EL section ("WARNING LAMPS AND CHIME") or see EC-452.

DIAGNOSTIC TEST MODE I — MALFUNCTION WARNING

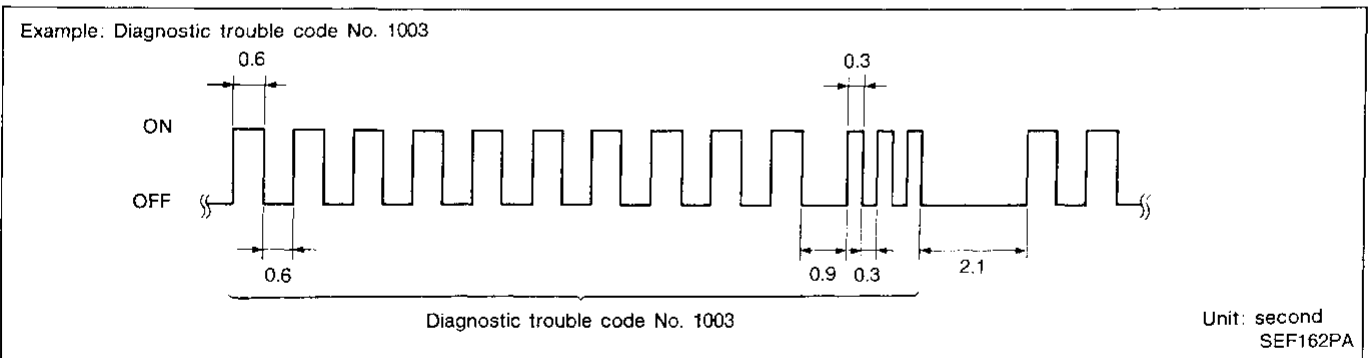
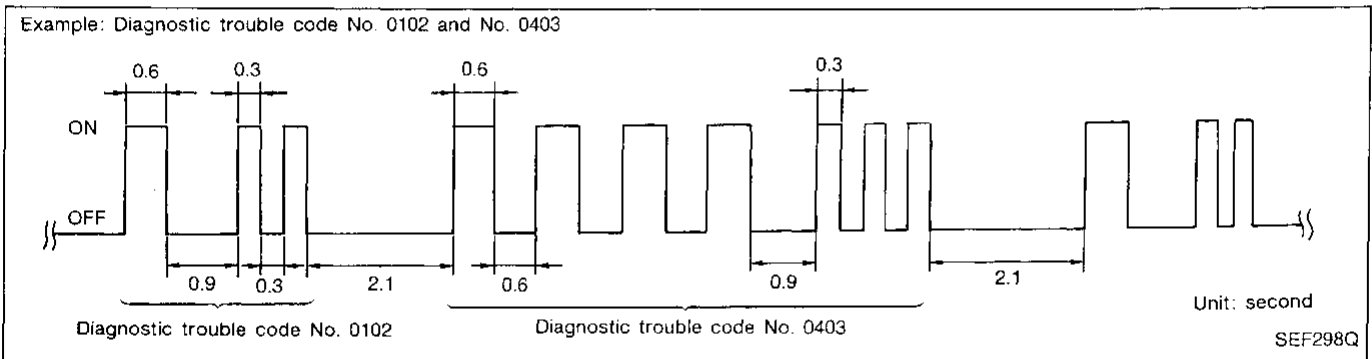
MALFUNCTION INDICATOR LAMP	Condition
ON	When the malfunction is detected or the ECM's CPU is malfunctioning.
OFF	No malfunction.

- These Diagnostic Trouble Code Numbers are clarified in Diagnostic Test Mode II (SELF-DIAGNOSTIC RESULTS).

DIAGNOSTIC TEST MODE II — SELF-DIAGNOSTIC RESULTS

In this mode, the DTC and 1st trip DTC are indicated by the number of blinks of the MALFUNCTION INDICATOR LAMP.

The DTC and 1st trip DTC are displayed at the same time. If the MIL does not illuminate in diagnostic test mode 1 (Malfunction warning), all displayed items are 1st trip DTC's. If only one code is displayed when the MIL illuminates in diagnostic test mode II (SELF-DIAGNOSTIC RESULTS), it is a DTC; if two or more codes are displayed, they may be either DTC's or 1st trip DTC's. DTC No. is same as that of 1st trip DTC. These unidentified codes can be identified by using the consult or GST. A DTC will be used as an example for how to read a code.



Long (0.6 second) blinking indicates the two LH digits of number and short (0.3 second) blinking indicates the two RH digits of number. For example, the malfunction indicator lamp blinks 10 times for 6 seconds (0.6 sec x 10 times) and then it blinks three times for about 1 second (0.3 sec x 3 times). This indicates the DTC "1003" and refers to the malfunction of the neutral position switch.

In this way, all the detected malfunctions are classified by their diagnostic trouble code numbers. The DTC "0505" refers to no malfunction. (See DIAGNOSTIC TROUBLE CODE (DTC) INDEX, EC-2.)

ON BOARD DIAGNOSTIC SYSTEM DESCRIPTION

Malfunction Indicator Lamp (MIL) (Cont'd)

How to erase diagnostic test mode II (Self-diagnostic results)

The diagnostic trouble code can be erased from the backup memory in the ECM when the diagnostic test mode is changed from Diagnostic Test Mode II to Diagnostic Test Mode I. (Refer to "HOW TO SWITCH DIAGNOSTIC TEST MODES".)

- If the battery is disconnected, the diagnostic trouble code will be lost from the backup memory after approx. 24 hours.
- Be careful not to erase the stored memory before starting trouble diagnoses.

DIAGNOSTIC TEST MODE II — FRONT HEATED OXYGEN SENSOR MONITOR

In this mode, the MALFUNCTION INDICATOR LAMP displays the condition of the fuel mixture (lean or rich) which is monitored by the front heated oxygen sensor.

MALFUNCTION INDICATOR LAMP	Fuel mixture condition in the exhaust gas	Air fuel ratio feedback control condition
ON	Lean	Closed loop system
OFF	Rich	
*Remains ON or OFF	Any condition	Open loop system

*: Maintains conditions just before switching to open loop.

To check the front heated oxygen sensor function, start engine in the Diagnostic Test Mode II and warm it up until engine coolant temperature indicator points to the middle of the gauge.

Next run engine at about 2,000 rpm for about 2 minutes under no-load conditions. Then make sure that the MALFUNCTION INDICATOR LAMP comes ON more than 5 times within 10 seconds with engine running at 2,000 rpm under no-load.

OBD System Operation Chart

RELATIONSHIP BETWEEN MIL, 1ST TRIP DTC, DTC, AND DETECTABLE ITEMS

- When a malfunction is detected for the first time, the 1st trip DTC and the 1st trip freeze frame data are stored in the ECM memory.
- When the same malfunction is detected in two consecutive trips, the DTC and the freeze frame data are stored in the ECM memory, and the MIL will come on. For details, refer to "Two Trip Detection Logic" on EC-34.
- The MIL will go off after the vehicle is driven 3 times with no malfunction. The drive is counted only when the recorded driving pattern is met (as stored in the ECM). If another malfunction occurs while counting, the counter will reset.
- The DTC and the freeze frame data will be stored until the vehicle is driven 40 times (driving pattern A) without the same malfunction recurring (except for Misfire and Fuel Injection System). For Misfire and Fuel Injection System, the DTC and freeze frame data will be stored until the vehicle is driven 80 times (driving pattern C) without the same malfunction recurring. The "TIME" in "SELF-DIAGNOSTIC RESULTS" mode of CONSULT will count the number of times the vehicle is driven.
- The 1st trip DTC is not displayed when the self-diagnosis results in "OK" for the 2nd trip.

SUMMARY CHART

Items	Fuel Injection System	Misfire	Except the lefts
MIL (goes off)	3 (pattern B)	3 (pattern B)	3 (pattern B)
DTC, Freeze Frame Data (no display)	80 (pattern C)	80 (pattern C)	40 (pattern A)
1st Trip DTC (clear)	1 (pattern C), *1	1 (pattern C), *1	1 (pattern B)
1st Trip Freeze Frame Data (clear)	*1, *2	*1, *2	1 (pattern B)

Details about patterns "A", "B", and "C" are on EC-53.

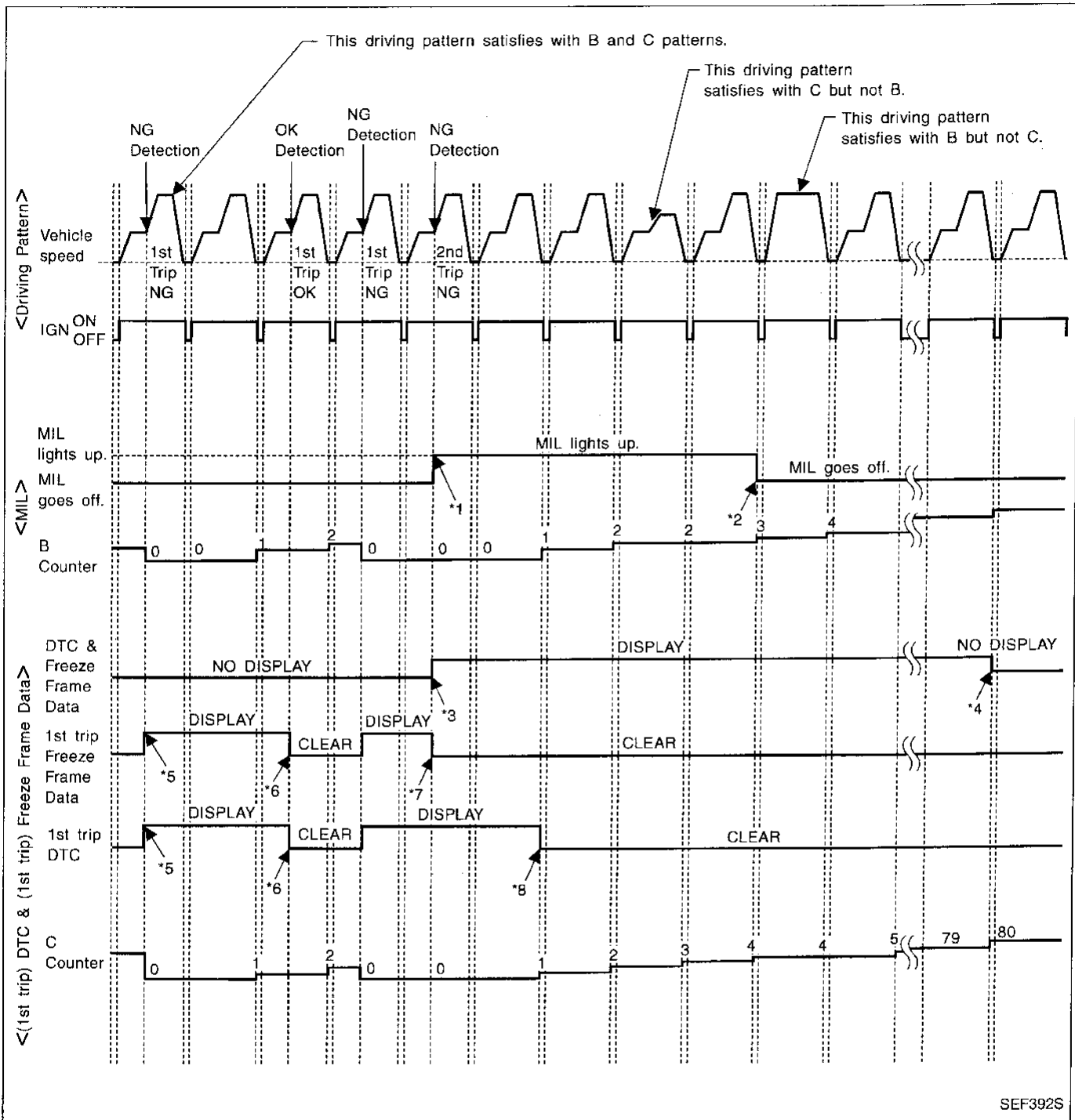
*1: Clear timing is at the moment OK is detected.

*2: Clear timing is when the same malfunction is detected in the 2nd trip.

ON BOARD DIAGNOSTIC SYSTEM DESCRIPTION

OBD System Operation Chart (Cont'd)

RELATIONSHIP BETWEEN MIL, DTC, 1ST TRIP DTC AND DRIVING PATTERNS FOR "MISFIRE" <EXHAUST QUALITY DETERIORATION>, "FUEL INJECTION SYSTEM"



SEF392S

- *1: When the same malfunction is detected in two consecutive trips, MIL will light up.
- *2: MIL will go off after vehicle is driven 3 times (pattern B) without any malfunctions.
- *3: When the same malfunction is detected in two consecutive trips, the DTC and the freeze frame data will be stored in ECM.
- *4: The DTC and the freeze frame data will not be displayed any longer after vehicle is driven 80 times (pattern C) without the same malfunction. (The DTC and the freeze frame data still remain in ECM.)

- *5: When a malfunction is detected for the first time, the 1st trip DTC and the 1st trip freeze frame data will be stored in ECM.
- *6: The 1st trip DTC and the 1st trip freeze frame data will be cleared at the moment OK is detected.
- *7: When the same malfunction is detected in the 2nd trip, the 1st trip freeze frame data will be cleared.
- *8: 1st trip DTC will be cleared when vehicle is driven once (pattern C) without the same malfunction after DTC is stored in ECM.

ON BOARD DIAGNOSTIC SYSTEM DESCRIPTION

OBd System Operation Chart (Cont'd)

EXPLANATION FOR DRIVING PATTERNS FOR "MISFIRE <EXHAUST QUALITY DETERIORATION>", "FUEL INJECTION SYSTEM"

<Driving pattern B>

Driving pattern B means the vehicle operation as follows:

All components and systems should be monitored at least once by the OBD system.

- The B counter will be cleared when the malfunction is detected once regardless of the driving pattern.
- The B counter will be counted up when driving pattern B is satisfied without any malfunction.
- The MIL will go off when the B counter reaches 3. (*2 in "OBd SYSTEM OPERATION CHART")

<Driving pattern C>

Driving pattern C means the vehicle operation as follows:

(1) The following conditions should be satisfied at the same time:

Engine speed: (Engine speed in the freeze frame data) ± 375 rpm

Calculated load value: (Calculated load value in the freeze frame data) $\times (1 \pm 0.1)$ [%]

Engine coolant temperature (T) condition:

- When the freeze frame data shows lower than 70°C (158°F), "T" should be lower than 70°C (158°F).
- When the freeze frame data shows higher than or equal to 70°C (158°F), "T" should be higher than or equal to 70°C (158°F).

Example:

If the stored freeze frame data is as follows:

Engine speed: 850 rpm, Calculated load value: 30%, Engine coolant temperature: 80°C (176°F)

To be satisfied with driving pattern C, the vehicle should run under the following conditions:

Engine speed: 475 - 1,225 rpm, Calculated load value: 27 - 33%, Engine coolant temperature: more than $\geq 70^\circ\text{C}$ (158°F)

- The C counter will be cleared when the malfunction is detected regardless of (1).
- The C counter will be counted up when (1) is satisfied without the same malfunction.
- The DTC will not be displayed after C counter reaches 80.
- The 1st trip DTC will be cleared when C counter is counted once without the same malfunction after DTC is stored in ECM.

GI

MA

EM

LC

EC

FE

CL

MT

AT

PD

FA

RA

BR

ST

RS

BT

HA

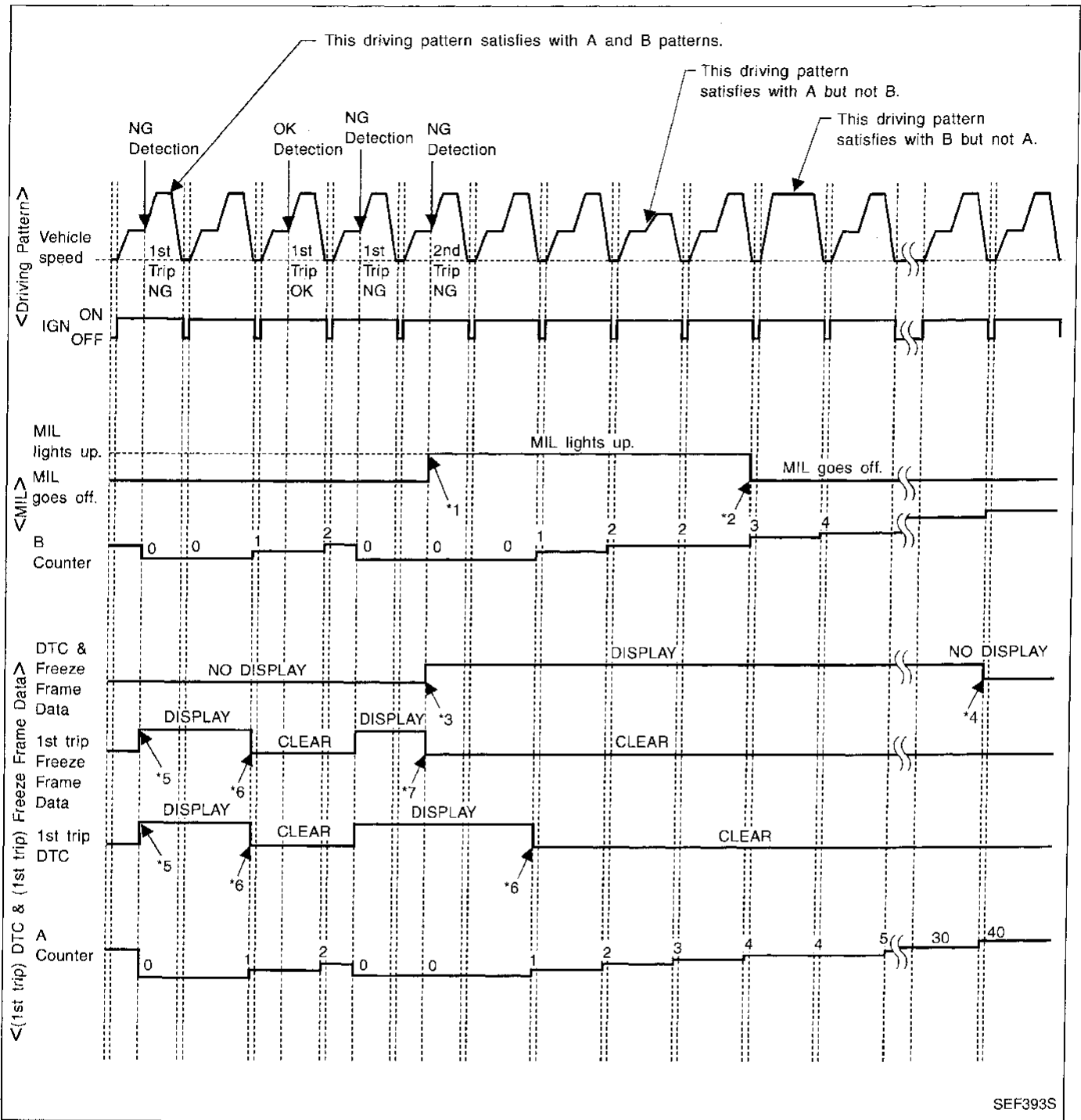
EL

IDX

ON BOARD DIAGNOSTIC SYSTEM DESCRIPTION

OBD System Operation Chart (Cont'd)

RELATIONSHIP BETWEEN MIL, DTC, 1ST TRIP DTC AND DRIVING PATTERNS EXCEPT FOR "MISFIRE <EXHAUST QUALITY DETERIORATION>", "FUEL INJECTION SYSTEM"



*1: When the same malfunction is detected in two consecutive trips, MIL will light up.

*2: MIL will go off after vehicle is driven 3 times (pattern B) without any malfunctions.

*3: When the same malfunction is detected in two consecutive trips, the DTC and the freeze frame data will be stored in ECM.

*4: The DTC and the freeze frame data will not be displayed any longer after vehicle is driven 40 times (pattern A) without the same malfunction.
(The DTC and the freeze frame data still remain in ECM.)

*5: When a malfunction is detected for the first time, the 1st trip DTC and the 1st trip freeze frame data will be stored in ECM.

*6: 1st trip DTC will be cleared after vehicle is driven once (pattern B) without the same malfunction.

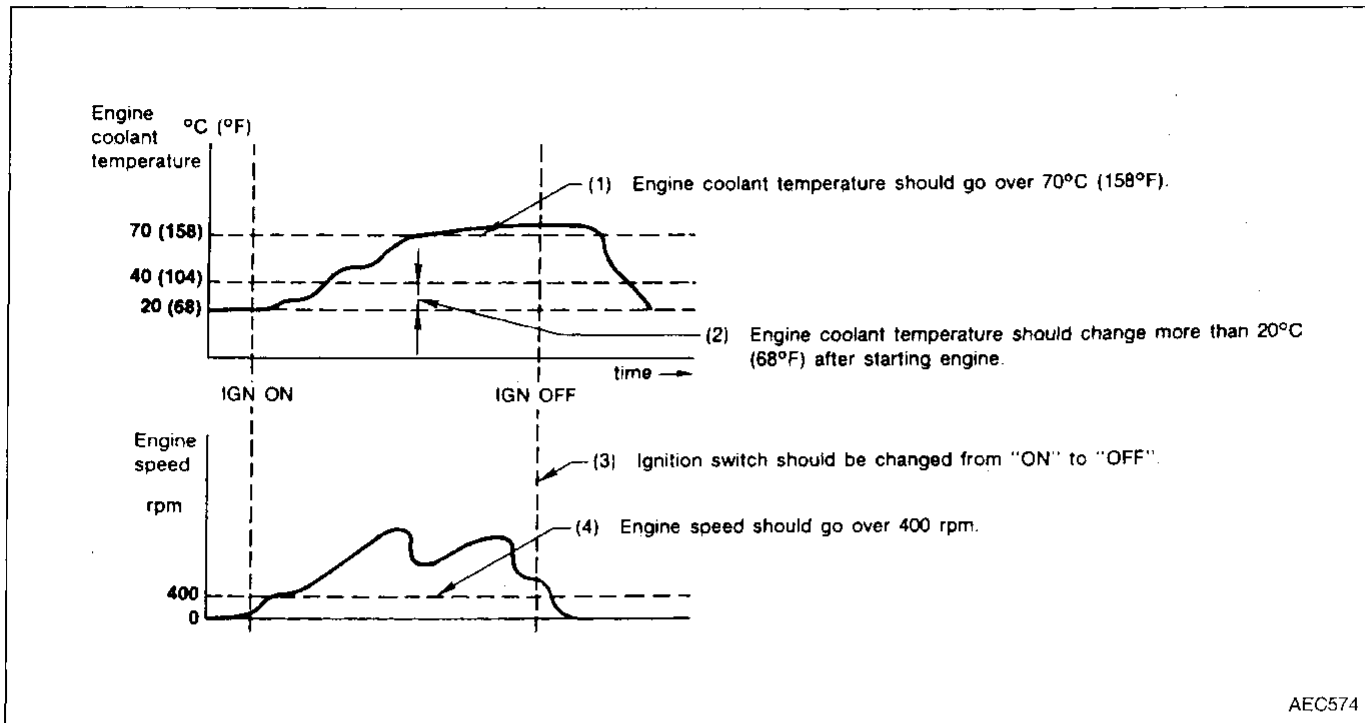
*7: When the same malfunction is detected in the 2nd trip, the 1st trip freeze frame data will be cleared.

ON BOARD DIAGNOSTIC SYSTEM DESCRIPTION

OBD System Operation Chart (Cont'd)

EXPLANATION FOR DRIVING PATTERNS EXCEPT FOR "MISFIRE <EXHAUST QUALITY DETERIORATION>", "FUEL INJECTION SYSTEM"

<Driving pattern A>



- The A counter will be cleared when the malfunction is detected regardless of (1) - (4).
- The A counter will be counted up when (1) - (4) are satisfied without the same malfunction.
- The DTC will not be displayed after the A counter reaches 40.

<Driving pattern B>

Driving pattern B means the vehicle operation as follows:

All components and systems should be monitored at least once by the OBD system.

- The B counter will be cleared when the malfunction is detected once regardless of the driving pattern.
- The B counter will be counted up when driving pattern B is satisfied without any malfunctions.
- The MIL will go off when the B counter reaches 3 (*2 in "OBD SYSTEM OPERATION CHART").

CI

MA

EM

LC

EC

FE

CL

MT

AT

PD

FA

RA

BR

ST

RS

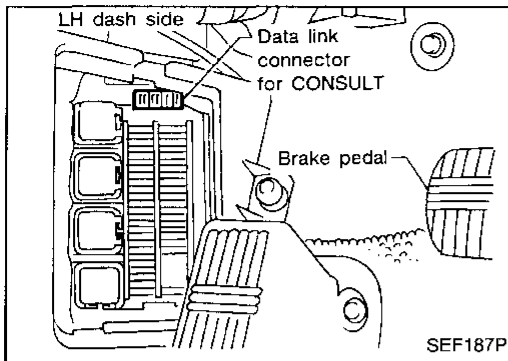
BT

HA

EL

IDX

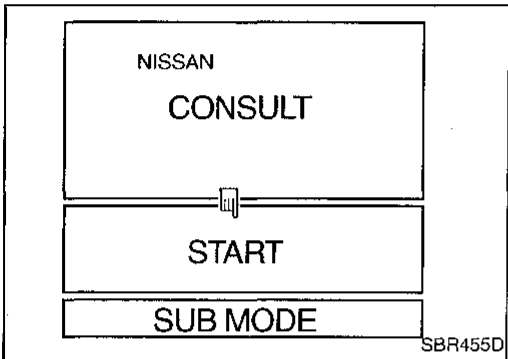
ON BOARD DIAGNOSTIC SYSTEM DESCRIPTION



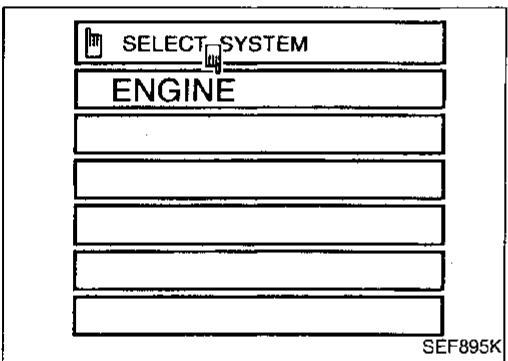
CONSULT

CONSULT INSPECTION PROCEDURE

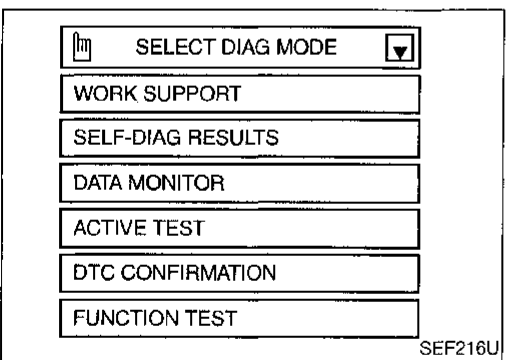
1. Turn off ignition switch.
2. Connect "CONSULT" to data link connector for CONSULT.
(Data link connector for CONSULT is located behind the fuse box cover.)



3. Turn on ignition switch.
4. Touch "START".

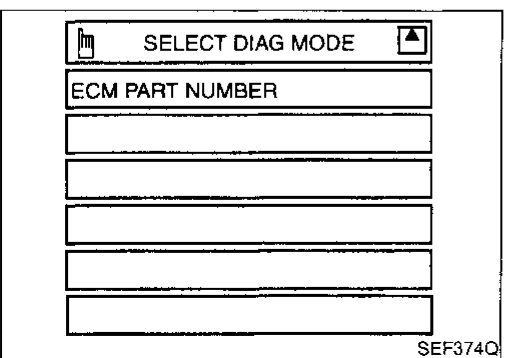


5. Touch "ENGINE".



6. Perform each diagnostic test mode according to each service procedure.

For further information, see the CONSULT Operation Manual. This sample shows the display when using the UE0BD98 program card. Screen differs in accordance with the program card used.



ON BOARD DIAGNOSTIC SYSTEM DESCRIPTION

CONSULT (Cont'd)

ECCS COMPONENT PARTS/CONTROL SYSTEMS APPLICATION

Item		DIAGNOSTIC TEST MODE								
		WORK SUP-PORT	SELF-DIAGNOSTIC RESULTS*1		DATA MONITOR	ACTIVE TEST	FUNCTION TEST	SRT-OBD TEST VALUE		
				FREEZE FRAME DATA*2						
ECCS COMPONENT PARTS	INPUT	Camshaft position sensor		X	X	X			GI	
		Mass air flow sensor		X		X			MA	
		Engine coolant temperature sensor		X	X	X	X		EM	
		Front heated oxygen sensor		X		X		X	X	
		Rear heated oxygen sensor		X		X			X	
		Vehicle speed sensor		X	X	X		X		LC
		Throttle position sensor	X	X		X		X		
		Tank fuel temperature sensor		X		X	X			EC
		EVAP control system pressure sensor		X		X				
		Absolute pressure sensor		X		X				
		EGR temperature sensor		X		X				FE
		Intake air temperature sensor		X		X				
		Crankshaft position sensor (OBD)		X						
		Knock sensor		X						CL
		Ignition switch (start signal)				X		X		
		Closed throttle position switch		X						MT
		Closed throttle position switch (throttle position sensor signal)				X		X		
		Air conditioner switch				X				AT
	Park/Neutral position switch		X		X		X			
	Power steering oil pressure switch				X		X		PD	
	Air conditioner pressure switch				X					
	Battery voltage				X					
	Ambient air temperature switch				X				FA	
	Electrical load				X					
	OUTPUT	Injectors				X	X	X		RA
		Power transistor (Ignition timing)	X	X (Ignition signal)		X	X	X		BR
		IACV-AAC valve	X	X		X	X	X		ST
		EVAP canister purge volume control valve		X		X	X			RS
		Air conditioner relay				X				BT
		Fuel pump relay	X			X	X	X		HA
		Cooling fan				X	X	X		EL
		EGRC-solenoid valve		X		X	X	X*3		IDX
		Front heated oxygen sensor heater		X		X			X	
Rear heated oxygen sensor heater			X		X			X		
EVAP canister purge control solenoid valve			X		X	X				
EVAP canister vent control valve			X		X	X				
Vacuum cut valve bypass valve			X		X	X				
MAP/BARO switch solenoid valve			X		X	X				
Calculated load value				X	X					

X: Applicable

*1: This item includes 1st trip DTCs.

*2: This mode includes 1st trip freeze frame data or freeze frame data. The items appear on CONSULT screen in freeze frame data mode only if a 1st trip DTC or DTC is detected. For details, refer to EC-36.

*3: If this test mode is not available, use "ACTIVE TEST" mode.

ON BOARD DIAGNOSTIC SYSTEM DESCRIPTION

CONSULT (Cont'd)

FUNCTION

Diagnostic test mode	Function
Work support	This mode enables a technician to adjust some devices faster and more accurately by following the indications on the CONSULT unit.
Self-diagnostic results	Self-diagnostic results such as 1st trip DTC, DTCs and 1st trip freeze frame data or freeze frame data can be read and erased quickly.*1
Data monitor	Input/Output data in the ECM can be read.
Active test	Diagnostic Test Mode in which CONSULT drives some actuators apart from the ECMs and also shifts some parameters in a specified range.
DTC confirmation	The status of system monitoring tests and the self-diagnosis status/result can be confirmed.
Function test	Conducted by CONSULT instead of a technician to determine whether each system is "OK" or "NG".
ECM part numbers	ECM part numbers can be read.

*1 The following emission-related diagnostic information is cleared when the ECM memory is erased.

1. Diagnostic trouble codes
2. 1st trip diagnostic trouble codes
3. Freeze frame data
4. 1st trip freeze frame data
5. System readiness test (SRT) codes
6. Test values
7. Others

WORK SUPPORT MODE

WORK ITEM	CONDITION	USAGE
THRTL POS SEN ADJ	CHECK THE THROTTLE POSITION SENSOR SIGNAL. ADJUST IT TO THE SPECIFIED VALUE BY ROTATING THE SENSOR BODY UNDER THE FOLLOWING CONDITIONS. <ul style="list-style-type: none"> ● IGN SW "ON" ● ENG NOT RUNNING ● ACC PEDAL NOT PRESSED 	When adjusting throttle position sensor initial position
IGNITION TIMING ADJ	<ul style="list-style-type: none"> ● IGNITION TIMING FEEDBACK CONTROL WILL BE HELD BY TOUCHING "START". AFTER DOING SO, ADJUST IGNITION TIMING WITH A TIMING LIGHT BY TURNING THE CRANK-SHAFT POSITION SENSOR. 	When adjusting initial ignition timing
IACV-AAC VALVE ADJ	SET ENGINE SPEED AT THE SPECIFIED VALUE UNDER THE FOLLOWING CONDITIONS. <ul style="list-style-type: none"> ● ENGINE WARMED UP ● NO-LOAD 	When adjusting idle speed
FUEL PRESSURE RELEASE	<ul style="list-style-type: none"> ● FUEL PUMP WILL STOP BY TOUCHING "START" DURING IDLING. CRANK A FEW TIMES AFTER ENGINE STALLS. 	When releasing fuel pressure from fuel line
EVAP SYSTEM CLOSE	OPEN THE VACUUM CUT VALVE BYPASS VALVE AND CLOSE THE EVAP CANISTER VENT CONTROL VALVE IN ORDER TO MAKE EVAP SYSTEM CLOSE UNDER THE FOLLOWING CONDITIONS. <ul style="list-style-type: none"> ● IGN SW "ON" ● ENGINE NOT RUNNING ● AMBIENT TEMPERATURE IS ABOVE 0°C (32°F). ● NO VACUUM AND NO HIGH PRESSURE IN EVAP SYSTEM ● TANK FUEL TEMP. IS MORE THAN 0°C (32°F). ● WITHIN 10 MINUTES AFTER STARTING "EVAP SYSTEM CLOSE" 	When detecting EVAP vapor leak point of EVAP system

ON BOARD DIAGNOSTIC SYSTEM DESCRIPTION

CONSULT (Cont'd)

SELF-DIAGNOSTIC MODE

DTC and 1st trip DTC

Regarding items of "DTC and 1st trip DTC", refer to "DIAGNOSTIC TROUBLE CODE INDEX" (See EC-2.).

Freeze frame data and 1st trip freeze frame data

Freeze frame data item*	Description	
DIAG TROUBLE CODE [PXXXX]	<ul style="list-style-type: none"> ECCS component part/control system has a trouble code, it is displayed as "PXXXX". [Refer to "Alphabetical & P No. Index for DTC" (EC-2).] 	GI MA EM LC
FUEL SYS	<ul style="list-style-type: none"> "Fuel injection system status" at the moment a malfunction is detected is displayed. One mode in the following is displayed. <ul style="list-style-type: none"> "MODE 2": Open loop due to detected system malfunction "MODE 3": Open loop due to driving conditions (power enrichment, deceleration enrichment) "MODE 4": Closed loop - using oxygen sensor(s) as feedback for fuel control "MODE 5": Open loop - has not yet satisfied condition to go to closed loop 	EC FE
CAL/LD VALUE [%]	<ul style="list-style-type: none"> The calculated load value at the moment a malfunction is detected is displayed. 	
COOLANT TEMP [°C] or [°F]	<ul style="list-style-type: none"> The engine coolant temperature at the moment a malfunction is detected is displayed. 	CL
S-FUEL TRIM [%]	<ul style="list-style-type: none"> "Short-term fuel trim" at the moment a malfunction is detected is displayed. The short-term fuel trim indicates dynamic or instantaneous feedback compensation to the base fuel schedule. 	MT
L-FUEL TRIM [%]	<ul style="list-style-type: none"> "Long-term fuel trim" at the moment a malfunction is detected is displayed. The long-term fuel trim indicates much more gradual feedback compensation to the base fuel schedule than short-term fuel trim. 	AT
ENGINE SPEED [rpm]	<ul style="list-style-type: none"> The engine speed at the moment a malfunction is detected is displayed. 	PD
VHCL SPEED [km/h] or [mph]	<ul style="list-style-type: none"> The vehicle speed at the moment a malfunction is detected is displayed. 	FA
ABSOL PRESS [kPa] or [kg/cm ²] or [psi]	<ul style="list-style-type: none"> The absolute pressure at the moment a malfunction is detected is displayed. 	RA

*: The items are the same as those of 1st trip freeze frame data.

BR

ST

RS

BT

HA

EL

IDX

ON BOARD DIAGNOSTIC SYSTEM DESCRIPTION

CONSULT (Cont'd)

DATA MONITOR MODE

Monitored item [Unit]	ECM input signals	Main signals	Description	Remarks
CMPS-RPM (REF) [rpm]	<input type="radio"/>	<input type="radio"/>	<ul style="list-style-type: none"> Indicates the engine speed computed from the REF signal (180° signal) of the camshaft position sensor. 	<ul style="list-style-type: none"> The accuracy of detection becomes poor if engine speed drops below the idle rpm. If the signal is interrupted while the engine is running, an abnormal value may be indicated.
MAS AIR/FL SE [V]	<input type="radio"/>	<input type="radio"/>	<ul style="list-style-type: none"> The signal voltage of the mass air flow sensor is displayed. 	<ul style="list-style-type: none"> When the engine is stopped, a certain value is indicated.
COOLAN TEMP/S [°C] or [°F]	<input type="radio"/>	<input type="radio"/>	<ul style="list-style-type: none"> The engine coolant temperature (determined by the signal voltage of the engine coolant temperature sensor) is displayed. 	<ul style="list-style-type: none"> When the engine coolant temperature sensor is open or short-circuited, ECM enters fail-safe mode. The engine coolant temperature determined by the ECM is displayed.
FR O2 SENSOR [V]	<input type="radio"/>	<input type="radio"/>	<ul style="list-style-type: none"> The signal voltage of the front heated oxygen sensor is displayed. 	
RR O2 SENSOR [V]	<input type="radio"/>	<input type="radio"/>	<ul style="list-style-type: none"> The signal voltage of the rear heated oxygen sensor is displayed. 	
FR O2 MNTR [RICH/LEAN]	<input type="radio"/>	<input type="radio"/>	<ul style="list-style-type: none"> Display of front oxygen sensor signal during air-fuel ratio feedback control: RICH ... means the mixture became "rich", and control is being affected toward a leaner mixture. LEAN ... means the mixture became "lean", and control is being affected toward a rich mixture. 	<ul style="list-style-type: none"> After turning ON the ignition switch, "RICH" is displayed until air-fuel mixture ratio feedback control begins. When the air-fuel ratio feedback is clamped, the value just before the clamping is displayed continuously.
RR O2 MNTR [RICH/LEAN]	<input type="radio"/>	<input type="radio"/>	<ul style="list-style-type: none"> Display of rear heated oxygen sensor signal: RICH ... means the amount of oxygen downstream three way catalyst is relatively small. LEAN ... means the amount of oxygen downstream three way catalyst is relatively large. 	<ul style="list-style-type: none"> When the engine is stopped, a certain value is indicated.
VHCL SPEED SE [km/h] or [mph]	<input type="radio"/>	<input type="radio"/>	<ul style="list-style-type: none"> The vehicle speed computed from the vehicle speed sensor signal is displayed. 	

NOTE:

Any monitored item that does not match the vehicle being diagnosed is deleted from the display automatically.

ON BOARD DIAGNOSTIC SYSTEM DESCRIPTION

CONSULT (Cont'd)

Monitored item [Unit]	ECM input signals	Main signals	Description	Remarks	
BATTERY VOLT [V]	○	○	<ul style="list-style-type: none"> The power supply voltage of ECM is displayed. 		GI
THRTL POS SEN [V]	○	○	<ul style="list-style-type: none"> The throttle position sensor signal voltage is displayed. 		MA
TANK F/TMP SE [°C] or [°F]	○		<ul style="list-style-type: none"> The fuel temperature judged from the tank fuel temperature sensor signal voltage is displayed. 		EM
EGR TEMP SEN [V]	○		<ul style="list-style-type: none"> The signal voltage of the EGR temperature sensor is displayed. 		LC
INT/A TEMP SE [°C] or [°F]	○		<ul style="list-style-type: none"> The intake air temperature determined by the signal voltage of the intake air temperature sensor is indicated. 		EC
START SIGNAL [ON/OFF]	○	○	<ul style="list-style-type: none"> Indicates [ON/OFF] condition from the starter signal. 	<ul style="list-style-type: none"> After starting the engine, [OFF] is displayed regardless of the starter signal. 	FE
CLSD THL/P SW [ON/OFF]	○	○	<ul style="list-style-type: none"> Indicates [ON/OFF] condition from the closed throttle position switch signal. 		CL
AIR COND SIG [ON/OFF]	○	○	<ul style="list-style-type: none"> Indicates [ON/OFF] condition of the air conditioner switch as determined by the air conditioner signal. 		MT
P/N POSI SW [ON/OFF]	○	○	<ul style="list-style-type: none"> Indicates [ON/OFF] condition from the park/neutral position switch signal. 		AT
PW/ST SIGNAL [ON/OFF]	○	○	<ul style="list-style-type: none"> [ON/OFF] condition of the power steering oil pressure switch determined by the power steering oil pressure signal is indicated. 		PD
LOAD SIGNAL [ON/OFF]	○	○	<ul style="list-style-type: none"> Indicates [ON/OFF] condition from the electrical load signal and/or lighting switch. ON ... rear defogger is operating and/or lighting switch is on. OFF ... rear defogger is not operating and lighting switch is not on. 		FA RA
AMB TEMP SW	○	○	<ul style="list-style-type: none"> Indicates [ON/OFF] condition from the ambient air temperature switch signal. 		BR
IGNITION SW [ON/OFF]	○		<ul style="list-style-type: none"> Indicates [ON/OFF] condition from ignition switch. 		ST
A/C PRESS SW [ON/OFF]	○		<ul style="list-style-type: none"> Indicates [ON/OFF] condition of the air conditioning triple-pressure switch (medium-pressure side) determined by the pressure of the air conditioning high pressure side. 		RS BT
INJ PULSE [msec]		○	<ul style="list-style-type: none"> Indicates the actual fuel injection pulse width compensated by ECM according to the input signals. 	<ul style="list-style-type: none"> When the engine is stopped, a certain computed value is indicated. 	HA
B/FUEL SCHDL [msec]		○	<ul style="list-style-type: none"> "Base fuel schedule" indicates the fuel injection pulse width programmed into ECM, prior to any learned on board correction. 		EL
IGN TIMING [BTDC]		○	<ul style="list-style-type: none"> Indicates the ignition timing computed by ECM according to the input signals. 		IDX

ON BOARD DIAGNOSTIC SYSTEM DESCRIPTION

CONSULT (Cont'd)

Monitored item [Unit]	ECM input signals	Main signals	Description	Remarks
IACV-AAC/V [%]		○	<ul style="list-style-type: none"> Indicates the idle air control valve (AAC valve) control value computed by ECM according to the input signals. 	
PURG VOL C/V [step]			<ul style="list-style-type: none"> Indicates the EVAP canister purge volume control valve computed by the ECM according to the input signals. The opening becomes larger as the value increases. 	
A/F ALPHA [%]		○	<ul style="list-style-type: none"> The mean value of the air-fuel ratio feedback correction factor per cycle is indicated. 	<ul style="list-style-type: none"> When the engine is stopped, a certain value is indicated. This data also includes the data for the air-fuel ratio learning control.
EVAP SYS PRES [V]			<ul style="list-style-type: none"> The signal voltage of EVAP control system pressure sensor is displayed. 	
AIR COND RLY [ON/OFF]			<ul style="list-style-type: none"> The air conditioner relay control condition (determined by ECM according to the input signal) is indicated. 	
FUEL PUMP RLY [ON/OFF]			<ul style="list-style-type: none"> Indicates the fuel pump relay control condition determined by ECM according to the input signals. 	
COOLING FAN [HI/LOW/OFF]			<ul style="list-style-type: none"> The control condition of the cooling fan (determined by ECM according to the input signal) is indicated. HI ... High speed operation LOW ... Low speed operation OFF ... Stop 	
EGRC SOL/V [ON/OFF]			<ul style="list-style-type: none"> The control condition of the EGRC-sole-noid valve (determined by ECM according to the input signal) is indicated. ON ... EGR operation is cut-off OFF ... EGR is operational 	
VENT CONT/V [ON/OFF]			<ul style="list-style-type: none"> The control condition of the EVAP canister vent control valve (determined by ECM according to the input signal) is indicated. ON ... Closed OFF ... Open 	
FR O2 HEATER			<ul style="list-style-type: none"> Indicates [ON/OFF] condition of front heated oxygen sensor heater determined by ECM according to the input signals. 	
VC/V BYPASS/V [ON/OFF]			<ul style="list-style-type: none"> The control condition of the vacuum cut valve bypass valve (determined by ECM according to the input signal) is indicated. ON ... Open OFF ... Closed 	

ON BOARD DIAGNOSTIC SYSTEM DESCRIPTION

CONSULT (Cont'd)

Monitored item [Unit]	ECM input signals	Main signals	Description	Remarks	
PURG CONT S/V [ON/OFF]			<ul style="list-style-type: none"> The control condition of the EVAP canister purge control solenoid valve (computed by the engine control module according to the input signals) is indicated. ON ... Canister purge is operational OFF ... Canister purge operation is cut-off 	GI MA EM	
CAL/LD VALUE [%]			<ul style="list-style-type: none"> "Calculated load value" indicates the value of the current airflow divided by peak airflow. 	LC	
ABSOL TH-P/S [%]			<ul style="list-style-type: none"> "Absolute throttle position sensor" indicates the throttle opening computed by ECM according to the signal voltage of the throttle position sensor. 	EC	
MASS AIRFLOW [g·m/s]			<ul style="list-style-type: none"> Indicates the mass airflow computed by ECM according to the signal voltage of the mass airflow sensor. 	FE CL	
MAP/BARO SW/V [MAP/BARO]			<ul style="list-style-type: none"> The control condition of the MAP/BARO switch solenoid valve (determined by ECM according to the input signal) is indicated. MAP ... Intake manifold absolute pressure BARO ... Barometric pressure 	MT AT	
ABSOL PRES/SE [V]			<ul style="list-style-type: none"> The signal voltage of the absolute pressure sensor is displayed. 	PD	
VOLTAGE [V]			<ul style="list-style-type: none"> Voltage measured by the voltage probe. 	FA	
PULSE [msec] or [Hz] or [%]			<ul style="list-style-type: none"> Pulse width, frequency or duty cycle measured by the pulse probe. 	<ul style="list-style-type: none"> Only "#" is displayed if item is unable to be measured. Figures with "#"s are temporary ones. They are the same figures as an actual piece of data which was just previously measured. 	RA BR

ST

RS

BT

HA

EL

IDX

ON BOARD DIAGNOSTIC SYSTEM DESCRIPTION

CONSULT (Cont'd)

ACTIVE TEST MODE

TEST ITEM	CONDITION	JUDGEMENT	CHECK ITEM (REMEDY)
FUEL INJECTION	<ul style="list-style-type: none"> Engine: Return to the original trouble condition Change the amount of fuel injection using CONSULT. 	If trouble symptom disappears, see CHECK ITEM.	<ul style="list-style-type: none"> Harness and connector Fuel injectors Front heated oxygen sensor
IACV-AAC/V OPENING	<ul style="list-style-type: none"> Engine: After warming up, idle the engine. Change the IACV-AAC valve opening percent using CONSULT. 	Engine speed changes according to the opening percent.	<ul style="list-style-type: none"> Harness and connector IACV-AAC valve
ENG COOLANT TEMP	<ul style="list-style-type: none"> Engine: Return to the original trouble condition Change the engine coolant temperature using CONSULT. 	If trouble symptom disappears, see CHECK ITEM.	<ul style="list-style-type: none"> Harness and connector Engine coolant temperature sensor Fuel injectors
IGNITION TIMING	<ul style="list-style-type: none"> Engine: Return to the original trouble condition Timing light: Set Retard the ignition timing using CONSULT. 	If trouble symptom disappears, see CHECK ITEM.	<ul style="list-style-type: none"> Adjust initial ignition timing
POWER BALANCE	<ul style="list-style-type: none"> Engine: After warming up, idle the engine. Air conditioner switch "OFF" Shift lever "N" Cut off each injector signal one at a time using CONSULT. 	Engine runs rough or dies.	<ul style="list-style-type: none"> Harness and connector Compression Injectors Power transistor Spark plugs Ignition coils
COOLING FAN	<ul style="list-style-type: none"> Ignition switch: ON Turn the cooling fan "ON" and "OFF" using CONSULT. 	Cooling fan moves and stops.	<ul style="list-style-type: none"> Harness and connector Cooling fan motor
FUEL PUMP RELAY	<ul style="list-style-type: none"> Ignition switch: ON (Engine stopped) Turn the fuel pump relay "ON" and "OFF" using CONSULT and listen to operating sound. 	Fuel pump relay makes the operating sound.	<ul style="list-style-type: none"> Harness and connector Fuel pump relay
EGRC SOLENOID VALVE	<ul style="list-style-type: none"> Ignition switch: ON Turn solenoid valve "ON" and "OFF" with the CONSULT and listen to operating sound. 	Solenoid valve makes an operating sound.	<ul style="list-style-type: none"> Harness and connector Solenoid valve
SELF-LEARNING CONT	<ul style="list-style-type: none"> In this test, the coefficient of self-learning control mixture ratio returns to the original coefficient by touching "CLEAR" on the screen. 		
PURG VOL CONT/V	<ul style="list-style-type: none"> Engine: After warming up, run engine at 1,500 rpm. Change the EVAP canister purge volume control valve opening step using CONSULT. 	Engine speed changes according to the opening step.	<ul style="list-style-type: none"> Harness and connector EVAP canister purge volume control valve
PURG CONT S/V	<ul style="list-style-type: none"> Engine: Run engine at 2,000 rpm. Turn the EVAP canister purge control solenoid valve "ON" and "OFF" using CONSULT and listen for operating sound. 	EVAP canister purge control solenoid valve makes an operating sound. Check vacuum signal for EVAP canister purge control valve. VC ON ... Vacuum exists. VC OFF ... Vacuum does not exist.	<ul style="list-style-type: none"> Harness and connector EVAP canister purge control solenoid valve Vacuum hose
MAP/BARO SW/V	<ul style="list-style-type: none"> Ignition switch: ON (Engine stopped) Turn the MAP/BARO switch solenoid valve between "MAP" and "BARO" using CONSULT and listen for operating sound. 	MAP/BARO switch solenoid valve makes an operating sound.	<ul style="list-style-type: none"> Harness and connector MAP/BARO switch solenoid valve
TANK F/TEMP SEN	<ul style="list-style-type: none"> Change the tank fuel temperature using CONSULT. 		

ON BOARD DIAGNOSTIC SYSTEM DESCRIPTION

CONSULT (Cont'd)

DTC CONFIRMATION MODE

SRT STATUS mode

For details, refer to "SYSTEM READINESS TEST (SRT) CODE", EC-36.

DTC WORK SUPPORT mode

TEST MODE	TEST ITEM	CONDITION	REFERENCE PAGE
EVAPORATIVE SYSTEM	PURGE FLOW P1447	Refer to corresponding trouble diagnosis for DTC.	EC-370
	VC CUT/V BP/V P1491		EC-388
	PURG VOL CN/V P1444		EC-358
	EVAP SML LEAK P0440		EC-260
	EVAP SML LEAK P1440		EC-347
FR O2 SENSOR	FR O2 SENSOR P0130		EC-146
	FR O2 SENSOR P0131		EC-152
	FR O2 SENSOR P0132		EC-158
	FR O2 SENSOR P0133		EC-164
RR O2 SENSOR	RR O2 SENSOR P0137		EC-181
	RR O2 SENSOR P0138		EC-188
	RR O2 SENSOR P0139		EC-195
EGR SYSTEM	EGR SYSTEM P0400		EC-243
	EGRC-BPT/VLV P0402		EC-251
	EGR SYSTEM P1402		EC-340

FUNCTION TEST MODE

FUNCTION TEST ITEM	CONDITION	JUDGEMENT		CHECK ITEM (REMEDY)
SELF-DIAG RESULTS	<ul style="list-style-type: none"> Ignition switch: ON (Engine stopped) Displays the results of on board diagnostic system. 	—		Objective system
CLOSED THROTTLE POSI	<ul style="list-style-type: none"> Ignition switch: ON (Engine stopped) Throttle position sensor circuit is tested when throttle is opened and closed fully. ("IDLE POSITION" is the test item name for the vehicles in which idle is selected by throttle position sensor.) 	Throttle valve: opened	OFF	<ul style="list-style-type: none"> Harness and connector Throttle position sensor (Closed throttle position) Throttle position sensor (Closed throttle position) adjustment Throttle linkage Verify operation in DATA MONITOR mode.
		Throttle valve: closed	ON	
THROTTLE POSI SEN CKT	<ul style="list-style-type: none"> Ignition switch: ON (Engine stopped) Throttle position sensor circuit is tested when throttle is opened and closed fully. 	Range (Throttle valve fully opened — Throttle valve fully closed)	More than 3.0V	<ul style="list-style-type: none"> Harness and connector Throttle position sensor Throttle position sensor adjustment Throttle linkage Verify operation in DATA MONITOR mode.
PARK/NEUT POSI SW CKT	<ul style="list-style-type: none"> Ignition switch: ON (Engine stopped) Inhibitor position switch circuit is tested when shift lever is manipulated. 	Out of N/P positions	OFF	<ul style="list-style-type: none"> Harness and connector Inhibitor switch Linkage or Inhibitor switch adjustment
		In N/P positions	ON	

ON BOARD DIAGNOSTIC SYSTEM DESCRIPTION

CONSULT (Cont'd)

FUNCTION TEST ITEM	CONDITION	JUDGEMENT		CHECK ITEM (REMEDY)
FUEL PUMP CIRCUIT	<ul style="list-style-type: none"> Ignition switch: ON (Engine stopped) Fuel pump circuit is tested by checking the pulsation in fuel pressure when fuel tube is pinched. 	There is pressure pulsation on the fuel feed hose.		<ul style="list-style-type: none"> Harness and connector Fuel pump Fuel pump relay Fuel filter clogging Fuel level
EGRC SOL/V CIRCUIT*	<ul style="list-style-type: none"> Ignition switch: ON (Engine stopped) EGRC-solenoid valve circuit is tested by checking solenoid valve operating noise. 	The solenoid valve makes an operating sound every 3 seconds.		<ul style="list-style-type: none"> Harness and connector EGRC-solenoid valve
COOLING FAN CIRCUIT	<ul style="list-style-type: none"> Ignition switch: ON (Engine stopped) Cooling fan circuit is tested when cooling fan is rotated. 	<ul style="list-style-type: none"> The cooling fan rotates and stops every 3 seconds. 		<ul style="list-style-type: none"> Harness and connector Cooling fan motor Cooling fan relay
START SIGNAL CIRCUIT	<ul style="list-style-type: none"> Ignition switch: ON → START Start signal circuit is tested when engine is started by operating the starter. Battery voltage and engine coolant temperature before cranking, and average battery voltage, mass air flow sensor output voltage and cranking speed during cranking are displayed. 	Start signal: OFF → ON		<ul style="list-style-type: none"> Harness and connector Ignition switch
PW/ST SIGNAL CIRCUIT	<ul style="list-style-type: none"> Ignition switch: ON (Engine running) Power steering circuit is tested when steering wheel is rotated fully and then set to a straight line running position. 	Locked position	ON	<ul style="list-style-type: none"> Harness and connector Power steering oil pressure switch Power steering oil pump
		Neutral position	OFF	
VEHICLE SPEED SEN CKT	<ul style="list-style-type: none"> Vehicle speed sensor circuit is tested when vehicle is running at a speed of 10 km/h (6 MPH) or higher. 	Vehicle speed sensor input signal is greater than 4 km/h (2 MPH).		<ul style="list-style-type: none"> Harness and connector Vehicle speed sensor Speedometer
IGN TIMING ADJ	<ul style="list-style-type: none"> After warming up, idle the engine. Ignition timing is checked by reading ignition timing with a timing light and checking whether it agrees with specifications. 	The timing light indicates the same value on the screen.		<ul style="list-style-type: none"> Adjust ignition timing (by moving camshaft position sensor or distributor) Camshaft position sensor drive mechanism
MIXTURE RATIO TEST	<ul style="list-style-type: none"> Air-fuel ratio feedback circuit (injection system, ignition system, vacuum system, etc.) is tested by examining the front heated oxygen sensor output at 2,000 rpm under non-loaded state. 	Front heated oxygen sensor COUNT: More than 5 times during 10 seconds		<ul style="list-style-type: none"> INJECTION SYS (Injector, fuel pressure regulator, harness or connector) IGNITION SYS (Spark plug, power transistor, ignition coil, harness or connector) VACUUM SYS (Intake air leaks) Front heated oxygen sensor circuit Front heated oxygen sensor operation Fuel pressure high or low Mass air flow sensor

*: If this test mode is not available, use "ACTIVE TEST" mode.

ON BOARD DIAGNOSTIC SYSTEM DESCRIPTION

CONSULT (Cont'd)

FUNCTION TEST ITEM	CONDITION	JUDGEMENT	CHECK ITEM (REMEDY)
IACV-AAC/V SYSTEM	<ul style="list-style-type: none"> ● After warming up, idle the engine. ● IACV-AAC valve system is tested by detecting change in engine speed when IACV-AAC valve opening is changed to 0%, 20% and 80%. 	Difference in engine speed is greater than 150 rpm between when valve opening is at 80% and 20%.	<ul style="list-style-type: none"> ● Harness and connector ● IACV-AAC valve ● Air passage restriction between air inlet and IACV-AAC valve ● IAS (Idle adjusting screw) adjustment
POWER BALANCE	<ul style="list-style-type: none"> ● After warming up, idle the engine. ● Injector operation of each cylinder is stopped one after another, and resultant change in engine rotation is examined to evaluate combustion of each cylinder. (This is only displayed for models where a sequential multipoint fuel injection system is used.) 	Difference in engine speed is greater than 25 rpm before and after cutting off the injector of each cylinder.	<ul style="list-style-type: none"> ● Injector circuit (Injector, harness or connector) ● Ignition circuit (Spark plug, ignition coil with power transistor harness or connector) ● Compression ● Valve timing

GI

MA

EM

LC

EC

FE

CL

MT

AT

PD

FA

RA

BR

ST

RS

BT

HA

EL

IDX

ON BOARD DIAGNOSTIC SYSTEM DESCRIPTION

CONSULT (Cont'd)

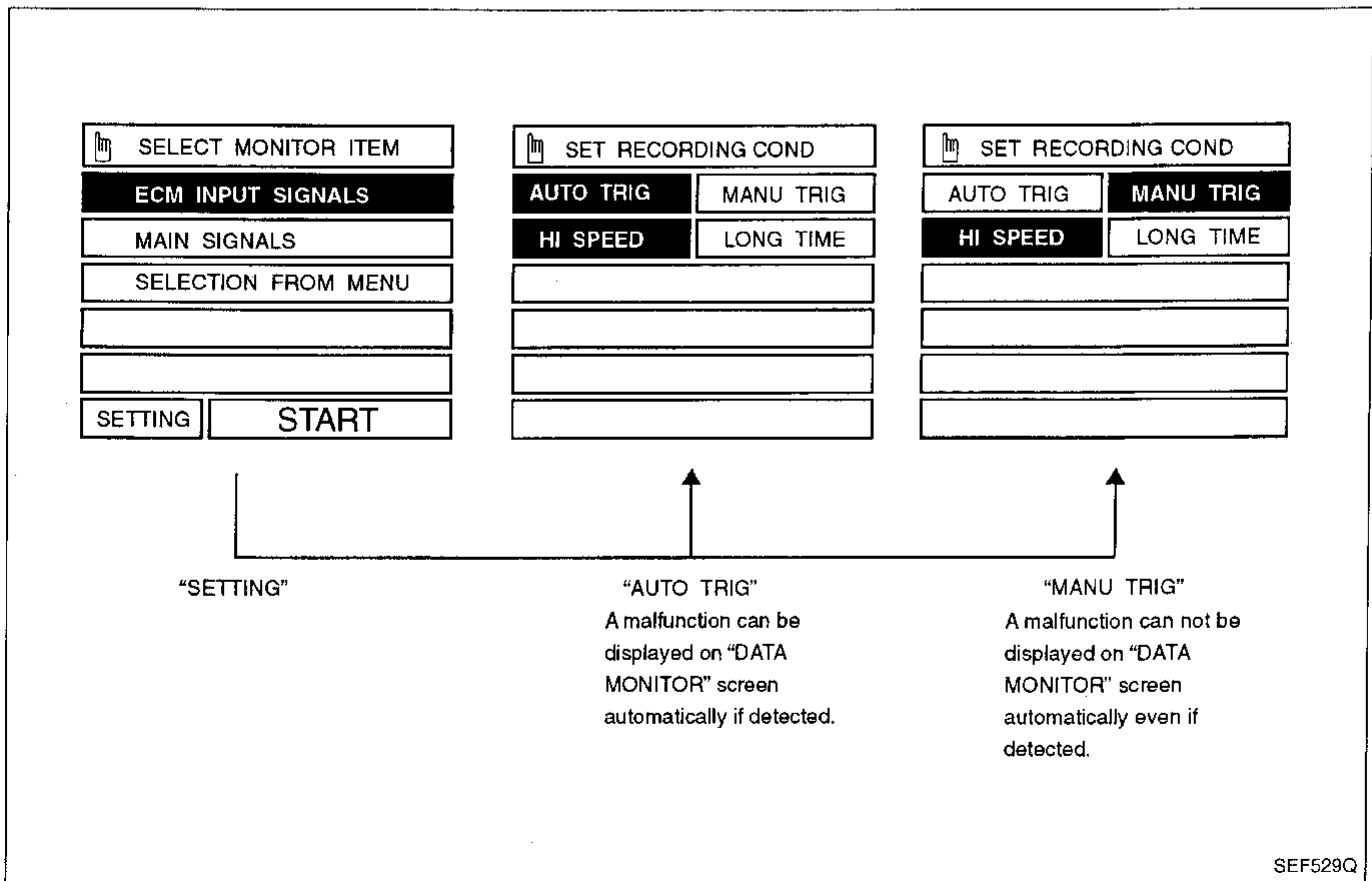
REAL TIME DIAGNOSIS IN DATA MONITOR MODE (Recording vehicle data)

CONSULT has two kinds of triggers and they can be selected by touching "SETTING" in "DATA MONITOR" mode.

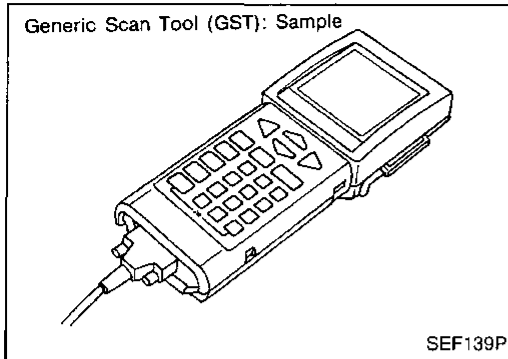
1. "AUTO TRIG" (Automatic trigger):
 - The malfunction will be identified on the CONSULT screen in real time. In other words, DTC/1st trip DTC and malfunction item will be displayed at the moment the malfunction is detected by ECM. DATA MONITOR can be performed continuously until a malfunction is detected. However, DATA MONITOR cannot continue any longer after the malfunction detection.
2. "MANU TRIG" (Manual trigger):
 - DTC/1st trip DTC and malfunction item will not be displayed automatically on CONSULT screen even though a malfunction is detected by ECM. DATA MONITOR can be performed continuously even though a malfunction is detected.

Use these triggers as follows:

1. "AUTO TRIG"
 - While trying to detect the DTC/1st trip DTC by performing the "DIAGNOSTIC TROUBLE CODE CONFIRMATION PROCEDURE", be sure to select to "DATA MONITOR (AUTO TRIG)" mode. You can confirm the malfunction at the moment it is detected.
 - While narrowing down the possible causes, CONSULT should be set in "DATA MONITOR (AUTO TRIG)" mode, especially in case the incident is intermittent. When you are inspecting the circuit by gently shaking (or twisting) the suspicious connectors, components and harness in the "DIAGNOSTIC TROUBLE CODE CONFIRMATION PROCEDURE", the moment a malfunction is found the DTC/1st trip DTC will be displayed. (Refer to GI section, "Incident Simulation Tests" in "HOW TO PERFORM EFFICIENT DIAGNOSIS FOR AN ELECTRICAL INCIDENT".)
2. "MANU TRIG"
 - If the malfunction is displayed as soon as "DATA MONITOR" is selected, reset CONSULT to "MANU TRIG". By selecting "MANU TRIG" you can monitor and store the data. The data can be utilized for further diagnosis, such as a comparison with the value for the normal operating condition.



ON BOARD DIAGNOSTIC SYSTEM DESCRIPTION



Generic Scan Tool (GST)

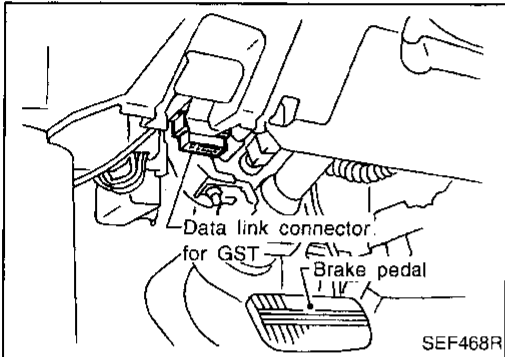
DESCRIPTION

Generic Scan Tool (OBDII scan tool) complying with SAE J1978 has 7 different functions explained on the next page. ISO9141 is used as the protocol. The name "GST" or "Generic Scan Tool" is used in this service manual.

GI

MA

EM



GST INSPECTION PROCEDURE

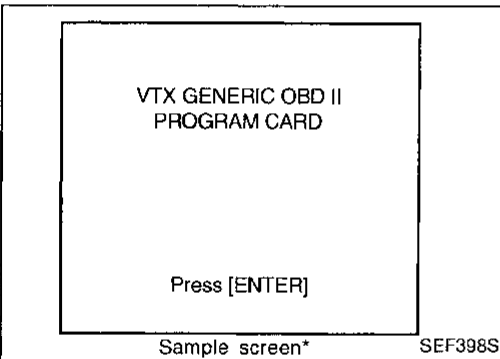
1. Turn off ignition switch.
2. Connect "GST" to data link connector for GST. (Data link connector for GST is located under LH dash panel near the fuse box cover.)

LC

EC

FE

CL



3. Turn on ignition switch.
4. Enter the program according to instruction on the screen or in the operation manual.

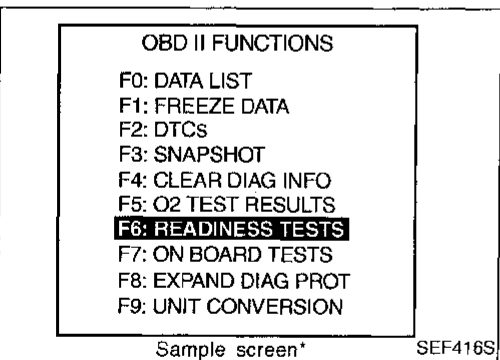
MT

(*: Regarding GST screens in this section, sample screens are shown.)

AT

PD

FA



5. Perform each diagnostic mode according to each service procedure.

RA

For further information, see the GST Operation Manual of the tool maker.

BR

ST

RS

BT

HA

EL

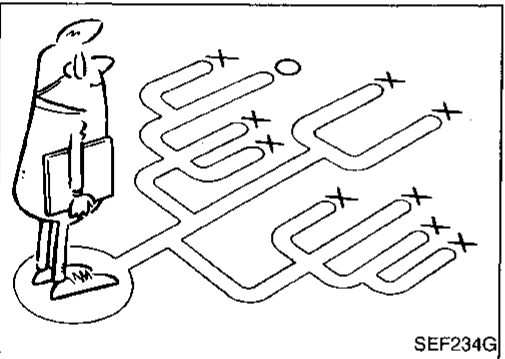
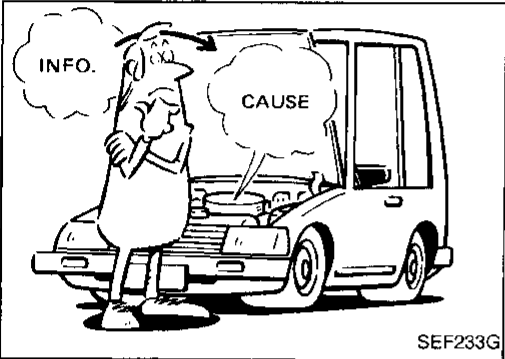
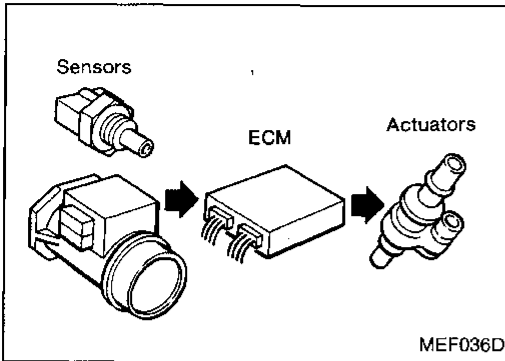
IDX

ON BOARD DIAGNOSTIC SYSTEM DESCRIPTION

Generic Scan Tool (GST) (Cont'd)

FUNCTION

Diagnostic test mode		Function
MODE 1	READINESS TESTS	This mode gains access to current emission-related data values, including analog inputs and outputs, digital inputs and outputs, and system status information.
MODE 2	(FREEZE DATA)	This mode gains access to emission-related data value which were stored by ECM during the freeze frame. [For details, refer to "Freeze Frame Data" (EC-57).]
MODE 3	DTCs	This mode gains access to emission-related power train trouble codes which were stored by ECM.
MODE 4	CLEAR DIAG INFO	This mode can clear all emission-related diagnostic information. This includes: <ul style="list-style-type: none"> ● Clear number of diagnostic trouble codes (MODE 1) ● Clear diagnostic trouble codes (MODE 3) ● Clear trouble code for freeze frame data (MODE 1) ● Clear freeze frame data (MODE 2) ● Reset status of system monitoring test (MODE 1) ● Clear on board monitoring test results (MODE 6 and 7)
MODE 6	(ON BOARD TESTS)	This mode accesses the results of on board diagnostic monitoring tests of specific components/systems that are not continuously monitored.
MODE 7	(ON BOARD TESTS)	This mode enables the off board test drive to obtain test results for emission-related powertrain components/systems that are continuously monitored during normal driving conditions.
MODE 8	—	This mode can close EVAP system in ignition switch "ON" position (Engine stopped). When this mode is performed, following parts can be opened or closed. <ul style="list-style-type: none"> ● EVAP canister vent control open ● Vacuum cut valve bypass valve closed In the following conditions, this mode cannot function. <ul style="list-style-type: none"> ● Low ambient temperature ● Low battery voltage ● Engine running ● Ignition switch "OFF" ● Low fuel temperature ● Too much pressure is applied to EVAP system



KEY POINTS	
WHAT	Vehicle & engine model
WHEN	Date, Frequencies
WHERE	Road conditions
HOW	Operating conditions, Weather conditions, Symptoms

SEF907L

Introduction

The engine has an ECM to control major systems such as fuel control, ignition control, idle air control system, etc. The ECM accepts input signals from sensors and instantly drives actuators. It is essential that both input and output signals are proper and stable. At the same time, it is important that there are no problems such as vacuum leaks, fouled spark plugs, or other problems with the engine.

It is much more difficult to diagnose a problem that occurs intermittently rather than continuously. Most intermittent problems are caused by poor electric connections or improper wiring. In this case, careful checking of suspected circuits may help prevent the replacement of good parts.

A visual check only may not find the cause of the problems. A road test with CONSULT (or GST) or a circuit tester connected should be performed. Follow the "Work Flow" on EC-71.

Before undertaking actual checks, take a few minutes to talk with a customer who approaches with a driveability complaint. The customer can supply good information about such problems, especially intermittent ones. Find out what symptoms are present and under what conditions they occur. A "Diagnostic Worksheet" like the example on next page should be used.

Start your diagnosis by looking for "conventional" problems first. This will help troubleshoot driveability problems on an electronically controlled engine vehicle.

Diagnostic Worksheet

There are many operating conditions that lead to the malfunction of engine components. A good grasp of such conditions can make trouble-shooting faster and more accurate.

In general, each customer feels differently about a problem. It is important to fully understand the symptoms or conditions for a customer complaint.

Utilize a diagnostic worksheet like the one on the next page in order to organize all the information for troubleshooting.

Some conditions may cause the malfunction indicator lamp to come on steady or blink and DTC to be detected. Examples:

- Vehicle ran out of fuel, which caused the engine to misfire.
- Fuel filler cap was left off or incorrectly screwed on, allowing fuel to evaporate into the atmosphere [for the models with EVAP (SMALL LEAK) diagnosis].

GI

MA

EM

LC

EC

FE

CL

MT

AT

PD

FA

RA

BR

ST

RS

BT

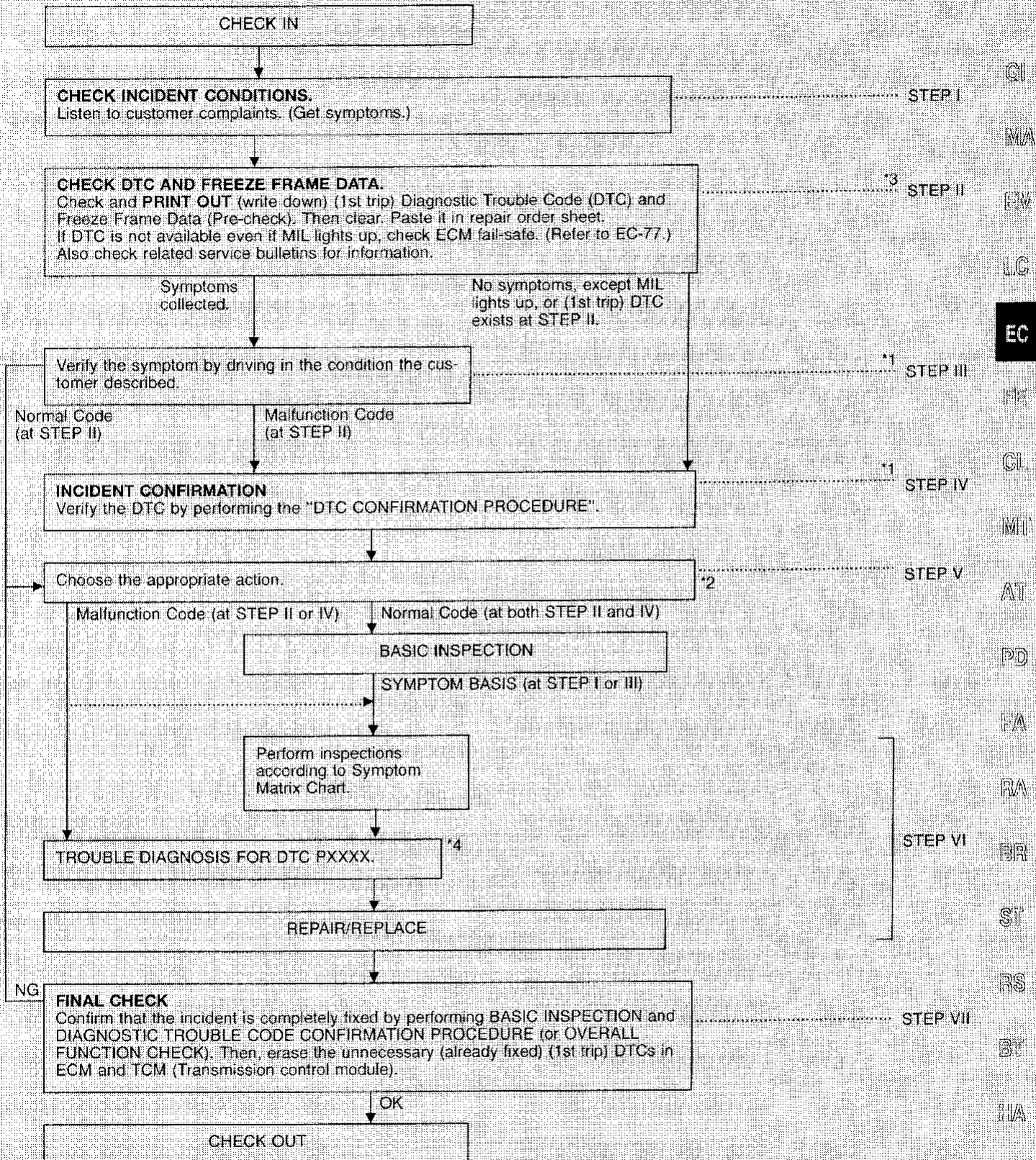
HA

EL

IDX

TROUBLE DIAGNOSIS — Work Flow

Work Flow



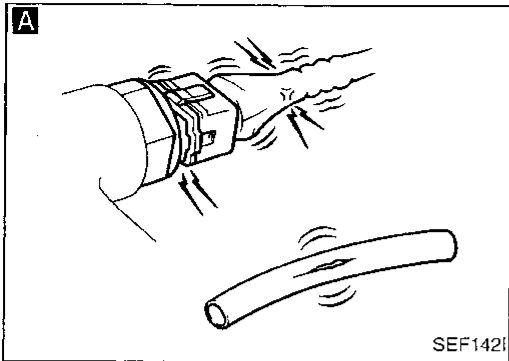
- *1: If the incident cannot be duplicated, refer to "TROUBLE DIAGNOSIS FOR INTERMITTENT INCIDENT", EC-96.
- *2: If the on board diagnostic system cannot be performed, check main power supply and ground circuit. Refer to "TROUBLE DIAGNOSIS FOR POWER SUPPLY", EC-97.
- *3: If time data of "SELF-DIAG RESULTS" is other than "0" or "1" refer to "TROUBLE DIAGNOSIS FOR INTERMITTENT", EC-96.
- *4: If the malfunctioning part cannot be found, refer to "TROUBLE DIAGNOSIS FOR INTERMITTENT INCIDENT", EC-96.

TROUBLE DIAGNOSIS — Work Flow

Description for Work Flow

STEP	DESCRIPTION
STEP I	Get detailed information about the conditions and the environment when the incident/symptom occurred using the "DIAGNOSTIC WORK SHEET", EC-70.
STEP II	<p>Before confirming the concern, check and write down (print out using CONSULT or Generic Scan Tool) the (1st trip) Diagnostic Trouble Code (DTC) and the (1st trip) freeze frame data, then erase the code and the data. (Refer to EC-44.) The (1st trip) DTC and the (1st trip) freeze frame data can be used when duplicating the incident at STEP III & IV.</p> <p>Study the relationship between the cause, specified by (1st trip) DTC, and the symptom described by the customer. (The "Symptom Matrix Chart" will be useful. See EC-78.)</p> <p>Also check related service bulletins for information.</p>
STEP III	<p>Try to confirm the symptom and under what conditions the incident occurs.</p> <p>The "DIAGNOSTIC WORK SHEET" and the freeze frame data are useful to verify the incident. Connect CONSULT to the vehicle in DATA MONITOR (AUTO TRIG) mode and check real time diagnosis results.</p> <p>If the incident cannot be verified, perform INCIDENT SIMULATION TESTS. (Refer to GI section.)</p> <p>If the malfunction code is detected, skip STEP IV and perform STEP V.</p>
STEP IV	<p>Try to detect the (1st trip) Diagnostic Trouble Code by driving in (or performing) the "DIAGNOSTIC TROUBLE CODE CONFIRMATION PROCEDURE". Check and read the (1st trip) DTC and (1st trip) freeze frame data by using CONSULT or Generic Scan Tool.</p> <p>During the (1st trip) DTC verification, be sure to connect CONSULT to the vehicle in DATA MONITOR (AUTO TRIG) mode and check real time diagnosis results.</p> <p>If the incident cannot be verified, perform INCIDENT SIMULATION TESTS. (Refer to GI section.)</p> <p>In case the "DIAGNOSTIC TROUBLE CODE CONFIRMATION PROCEDURE" is not available, perform the "OVERALL FUNCTION CHECK" instead. The (1st trip) DTC cannot be displayed by this check, however, this simplified "check" is an effective alternative.</p> <p>The "NG" result of the "OVERALL FUNCTION CHECK" is the same as the (1st trip) DTC detection.</p>
STEP V	<p>Take the appropriate action based on the results of STEP I through IV.</p> <p>If the malfunction code is indicated, proceed to TROUBLE DIAGNOSIS FOR DTC PXXXX.</p> <p>If the normal code is indicated, proceed to the BASIC INSPECTION. (Refer to EC-73.) Then perform inspections according to the Symptom Matrix Chart. (Refer to EC-78.)</p>
STEP VI	<p>Identify where to begin diagnosis based on the relationship study between symptom and possible causes. Inspect the system for mechanical binding, loose connectors or wiring damage using (tracing) "Harness Layouts". Gently shake the related connectors, components or wiring harness with CONSULT set in "DATA MONITOR (AUTO TRIG)" mode.</p> <p>Check the voltage of the related ECM terminals or monitor the output data from the related sensors with CONSULT. Refer to EC-81.</p> <p>The "DIAGNOSTIC PROCEDURE" in EC section contains a description based on open circuit inspection. A short circuit inspection is also required for the circuit check in the DIAGNOSTIC PROCEDURE. For details, refer to GI section ("HOW TO PERFORM EFFICIENT DIAGNOSIS FOR AN ELECTRICAL INCIDENT", "Circuit Inspection").</p> <p>Repair or replace the malfunction parts.</p>
STEP VII	<p>Once you have repaired the circuit or replaced a component, you need to run the engine in the same conditions and circumstances which resulted in the customer's initial complaint.</p> <p>Perform the "DIAGNOSTIC TROUBLE CODE CONFIRMATION PROCEDURE" and confirm the normal code [Diagnostic trouble code No. P0000 or 0505] is detected. If the incident is still detected in the final check, perform STEP VI by using a different method from the previous one.</p> <p>Before returning the vehicle to the customer, be sure to erase the unnecessary (already fixed) (1st trip) DTC in ECM and TCM (Transmission control module). (Refer to EC-44.)</p>

TROUBLE DIAGNOSIS — Basic Inspection

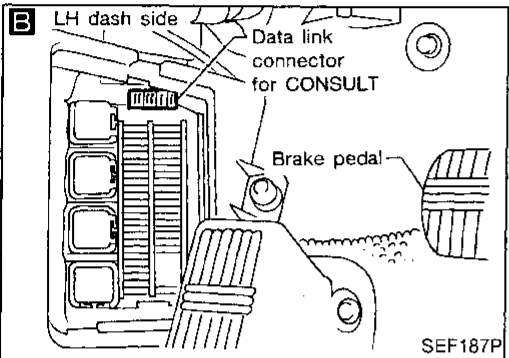


Basic Inspection

Precaution:

Perform Basic Inspection without electrical or mechanical loads applied;

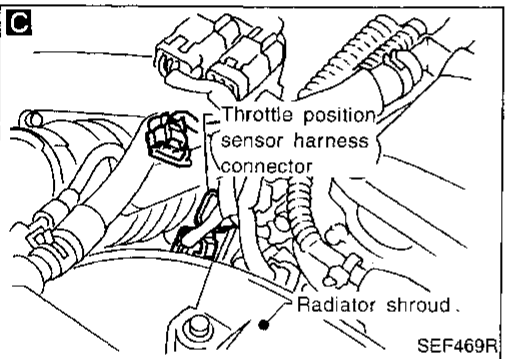
- Headlamp switch is OFF,
- Air conditioner switch is OFF,
- Rear window defogger switch is OFF,
- Steering wheel is in the straight-ahead position, etc.



A

BEFORE STARTING

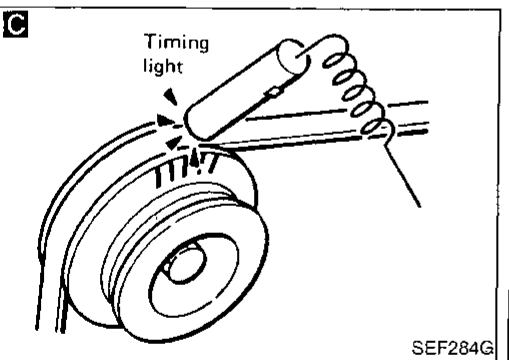
1. Check service records for any recent repairs that may indicate a related problem, or the current need for scheduled maintenance.
2. Open engine hood and check the following:
 - Harness connectors for improper connections
 - Vacuum hoses for splits, kinks, or improper connections
 - Wiring for improper connections, pinches, or cuts



B

CONNECT CONSULT TO THE VEHICLE.

Connect "CONSULT" to the data link connector for CONSULT and select "ENGINE" from the menu. Refer to EC-54.



C

CHECK IGNITION TIMING.

1. Warm up engine to normal operating temperature.
2. Stop engine and disconnect throttle position sensor harness connector.
3. Start engine.
4. Check ignition timing at idle using timing light.

Ignition timing:
 $20^{\circ} \pm 2^{\circ}$ BTDC

NG

Adjust ignition timing by turning distributor.

OK

CHECK BASE IDLE SPEED.

Does engine speed fall to the following speed?

650 ± 50 rpm (in "N" position)

NG

Adjust engine speed by turning idle speed adjusting screw.

OK

(Go to (A) on next page.)

GI

MA

EM

LC

EC

FE

CL

MT

AT

PD

FA

RA

BR

ST

RS

BT

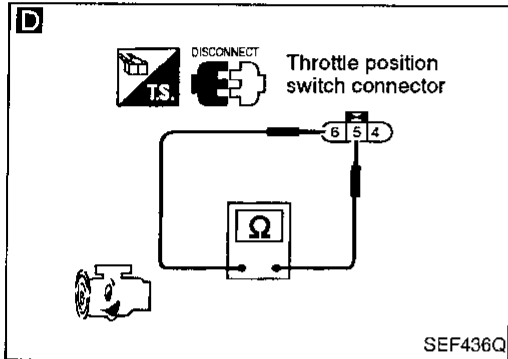
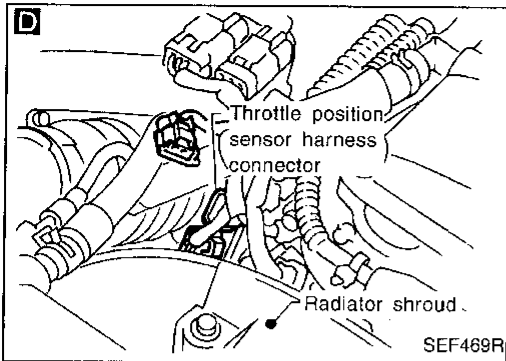
HA

EL

IDX

TROUBLE DIAGNOSIS — Basic Inspection

Basic Inspection (Cont'd)



D

CHECK CLOSED THROTTLE POSITION SWITCH IDLE POSITION (A/T model only).

1. Select "A/T", then "DATA MONITOR".
2. Select "ENGINE SPEED" and "CLOSED THL/SW".
3. Read "CLOSED THL/SW" signal under the following condition:
 - Raise engine speed to 2,000 rpm.
 - Gradually lower engine speed. "CLOSED THL/SW" should be turned "ON" at 900 ± 150 rpm with transmission in N position.

OR

1. Disconnect throttle position sensor harness connector and closed throttle position switch harness connector.
2. Check continuity between closed throttle position switch terminals ⑤ and ⑥ under the following conditions.
 - Raise engine speed to 2,000 rpm.
 - Gradually lower engine speed. Continuity should exist (Closed throttle position switch closes) at 900 ± 150 rpm with transmission in N position.

NG

Adjust continuity signal by rotating throttle position sensor body. Then, go to ③.

Ⓐ

OK

Reconnect throttle position sensor harness connector and closed throttle position switch harness connector.

Ⓑ

TROUBLE DIAGNOSIS — Basic Inspection

Basic Inspection (Cont'd)

E

■ THRTL POS SEN ADJ ■ □

*** ADJ MONITOR ***

THRTL POS SEN 0.52V

===== MONITOR =====

CMPS•RPM (REF) 0rpm

CLSD THL/P SW ON

SEF441R

E

Radiator shroud

CONNECT

H.S.

SEF654R

E

CHECK THROTTLE POSITION SENSOR IDLE POSITION.

1. Perform "THRTL POS SEN. ADJ." in "WORK SUPPORT" mode.
2. Check that output voltage of throttle position sensor is approx. 0.3 to 0.7V (Throttle valve fully closes.) and "CLSD THL/P SW" stays "ON".

OR

⌚ Measure output voltage of throttle position sensor using voltmeter, and check that it is approx. 0.3 to 0.7V. (Throttle valve fully closed.)

NG

Adjust output voltage to 0.5V by rotating throttle position sensor body. Then, go to ⓐ.

ⓐ

RESET IDLE POSITION MEMORY.

1. Warm up engine to normal operating temperature and stop.
 - ⓞ Select "CLSD THL/P SW" in "DATA MONITOR" mode with CONSULT before stopping engine.
2. Reconnect throttle position sensor harness connector and closed throttle position switch harness connector.
3. Turn ignition switch "ON".
4. Turn ignition switch "OFF" and wait at least 5 seconds.
5. ⓞ Repeat steps 3. and 4. until "CLSD THL/P SW" in "DATA MONITOR" mode with CONSULT changes to "ON".
 - ⌚ Repeat steps 3. and 4. 20 times.

OK

CHECK TARGET IDLE SPEED

ⓞ Read the engine idle speed in "DATA MONITOR" mode with CONSULT.

M/T = 700±50 rpm
A/T = 700±50 rpm
(in "N" position)

OR

⌚ Check idle speed.

M/T = 700±50 rpm
A/T = 700±50 rpm
(in "N" position)

NG

Adjust idle speed. (See page EC-28.)

OK

After this inspection, unnecessary (1st trip) DTC might be displayed. Erase the stored memory in ECM and A/T control unit. Refer to "ON BOARD DIAGNOSTIC SYSTEM DESCRIPTION" (EC-44) and "HOW TO ERASE DTC" in AT section.

OK

INSPECTION END

GI
MA
EM
LC
EC
FE
CL
MT
AT
PD
FA
RA
BR
ST
RS
BT
HA
EL
IDX

TROUBLE DIAGNOSIS — General Description

Diagnostic Trouble Code (DTC) Inspection Priority Chart

If some DTCs are displayed at the same time, perform inspections one by one based on the following priority chart.

Priority	Detected items (DTC)		
1	<ul style="list-style-type: none"> ● ECM (P0605, 0301) ● Mass air flow sensor (P0100, 0102) ● Throttle position sensor (P0120, 0403) ● EGRC-solenoid valve (P1400, 1005) ● A/T diagnosis communication line (P1605, 0804) 	<ul style="list-style-type: none"> ● Camshaft position sensor (P0340, 0101) ● Vehicle speed sensor (P0500, 0104) ● Intake air temperature sensor (P0110, 0401) ● Knock sensor (P0325, 0304) ● Tank fuel temperature sensor (P0180, 0402) 	<ul style="list-style-type: none"> ● Engine coolant temperature sensor (P0115, 0103) (P0125, 0908) ● Ignition signal (P1320, 0201) ● Park/Neutral position switch (P1706, 1003)
2	<ul style="list-style-type: none"> ● EGR temperature sensor (P1401, 0305) ● A/T related sensors, solenoid valves and switches (P0705 - P0725, 1101 - 1208) (P0740 - P1760, 1108 - 1206) ● Absolute pressure sensor (P0105, 0803) ● MAP/BARO switch solenoid valve (P1105, 1302) ● Closed throttle position switch (P0510, 0203) 	<ul style="list-style-type: none"> ● Front heated oxygen sensor heater (P0135, 0901) ● Crankshaft position sensor (OBD) (P0335, 0802) (P1336, 0905) ● Vacuum cut valve bypass valve (P1491, 0311) (P1490, 0801) ● EVAP canister purge control valve/solenoid valve (P1492, 0807) (P1493, 0312) 	<ul style="list-style-type: none"> ● Front heated oxygen sensor (P0130 - P0134, 0303 - 0412) ● Rear heated oxygen sensor (P0137 - P0140, 0510 - 0707) ● Rear heated oxygen sensor heater (P0141, 0902) ● EVAP control system pressure sensor (P0450, 0704) ● EVAP canister vent control valve (P1448, 0309) (P0446, 0903) (P1446, 0215) ● EVAP canister purge volume control valve (P1444, 0214) (P0443, 1008) ● EVAP control system purge flow monitoring (P1447, 0111)
3	<ul style="list-style-type: none"> ● EGR function (P0400, 0302) (P1402, 0514) ● EVAP control system (SMALL LEAK) (P0440, 0705) (P1440, 0213) ● EGRC-BPT valve function (P0402, 0306) ● IACV-AAC valve (P0505, 0205) 	<ul style="list-style-type: none"> ● Misfire (P0304 - P0300, 0605 - 0701) ● Closed loop control (P1148, 0307) ● A/T function (P0731 - P0734, 1103 - 1106) (P0744, 1107) 	<ul style="list-style-type: none"> ● Fuel injection system function (P0172, 0114), (P0171, 0115) ● Three way catalyst function (P0420, 0702) ● Signal circuit from TCM to ECM (P0600)

TROUBLE DIAGNOSIS — General Description

Fail-Safe Chart

The ECM enters fail-safe mode, if any of the following malfunctions is detected due to the open or short circuit. When the ECM enters the fail-safe mode, the MIL illuminates.

DTC No.		Detected items	Engine operating condition in fail-safe mode														
CONSULT GST	ECM*1																
P0100	0102	Mass air flow sensor circuit	Engine speed will not rise more than 2,400 rpm due to the fuel cut.														
P0110	0401	Intake air temperature sensor circuit	The ECM controls on the assumption that the intake air temperature is 25°C (77°F).														
P0115	0103	Engine coolant temperature sensor circuit	<p>Engine coolant temperature will be determined by ECM based on the time after turning ignition switch "ON" or "START". CONSULT displays the engine coolant temperature decided by ECM.</p> <table border="1" style="width: 100%; border-collapse: collapse;"> <thead> <tr> <th style="text-align: center;">Condition</th> <th style="text-align: center;">Engine coolant temperature decided (CONSULT display)</th> </tr> </thead> <tbody> <tr> <td>Just as ignition switch is turned ON or Start</td> <td style="text-align: center;">40°C (104°F)</td> </tr> <tr> <td>More than approx. 4 minutes after ignition ON or Start</td> <td style="text-align: center;">80°C (176°F)</td> </tr> <tr> <td>Except as shown above</td> <td style="text-align: center;">40 - 80°C (104 - 176°F) (Depends on the time)</td> </tr> </tbody> </table>	Condition	Engine coolant temperature decided (CONSULT display)	Just as ignition switch is turned ON or Start	40°C (104°F)	More than approx. 4 minutes after ignition ON or Start	80°C (176°F)	Except as shown above	40 - 80°C (104 - 176°F) (Depends on the time)						
Condition	Engine coolant temperature decided (CONSULT display)																
Just as ignition switch is turned ON or Start	40°C (104°F)																
More than approx. 4 minutes after ignition ON or Start	80°C (176°F)																
Except as shown above	40 - 80°C (104 - 176°F) (Depends on the time)																
P0120	0403	Throttle position sensor circuit	<p>Throttle position will be determined based on the injected fuel amount and the engine speed. Therefore, acceleration will be poor.</p> <table border="1" style="width: 100%; border-collapse: collapse;"> <thead> <tr> <th style="text-align: center;">Condition</th> <th style="text-align: center;">Driving condition</th> </tr> </thead> <tbody> <tr> <td>When engine is idling</td> <td style="text-align: center;">Normal</td> </tr> <tr> <td>When accelerating</td> <td style="text-align: center;">Poor acceleration</td> </tr> </tbody> </table>	Condition	Driving condition	When engine is idling	Normal	When accelerating	Poor acceleration								
Condition	Driving condition																
When engine is idling	Normal																
When accelerating	Poor acceleration																
Unable to access ECCS	Unable to access Diagnostic Test Mode II	ECM	<p>ECM fail-safe activating condition The computing function of the ECM was judged to be malfunctioning. When the fail-safe system activates (i.e., if the ECM detects a malfunction condition in the CPU of ECM), the MALFUNCTION INDICATOR LAMP on the instrument panel lights to warn the driver. However it is not possible to access ECCS and DTC cannot be confirmed.</p> <p>Engine control with fail-safe When ECM fail-safe is operating, fuel injection, ignition timing, fuel pump operation, and IACV-AAC valve operation are controlled under certain limitations.</p> <table border="1" style="width: 100%; border-collapse: collapse;"> <thead> <tr> <th colspan="2" style="text-align: center;">ECM fail-safe operation</th> </tr> </thead> <tbody> <tr> <td style="text-align: center;">Engine speed</td> <td style="text-align: center;">Engine speed will not rise more than 3,000 rpm</td> </tr> <tr> <td style="text-align: center;">Fuel injection</td> <td style="text-align: center;">Simultaneous multiport fuel injection system</td> </tr> <tr> <td style="text-align: center;">Ignition timing</td> <td style="text-align: center;">Ignition timing is fixed at the preset valve</td> </tr> <tr> <td style="text-align: center;">Fuel pump</td> <td style="text-align: center;">Fuel pump relay is "ON" when engine is running and "OFF" when engine stalls</td> </tr> <tr> <td style="text-align: center;">IACV-AAC valve</td> <td style="text-align: center;">Full open</td> </tr> <tr> <td style="text-align: center;">Cooling fans</td> <td style="text-align: center;">Cooling fan relay "ON" (High speed condition) when engine is running, and "OFF" when engine stalls.</td> </tr> </tbody> </table> <p>Replace ECM, if ECM fail-safe condition is confirmed.</p>	ECM fail-safe operation		Engine speed	Engine speed will not rise more than 3,000 rpm	Fuel injection	Simultaneous multiport fuel injection system	Ignition timing	Ignition timing is fixed at the preset valve	Fuel pump	Fuel pump relay is "ON" when engine is running and "OFF" when engine stalls	IACV-AAC valve	Full open	Cooling fans	Cooling fan relay "ON" (High speed condition) when engine is running, and "OFF" when engine stalls.
ECM fail-safe operation																	
Engine speed	Engine speed will not rise more than 3,000 rpm																
Fuel injection	Simultaneous multiport fuel injection system																
Ignition timing	Ignition timing is fixed at the preset valve																
Fuel pump	Fuel pump relay is "ON" when engine is running and "OFF" when engine stalls																
IACV-AAC valve	Full open																
Cooling fans	Cooling fan relay "ON" (High speed condition) when engine is running, and "OFF" when engine stalls.																

*1: In Diagnostic Test Mode II (Self-diagnostic results)

TROUBLE DIAGNOSIS — General Description

Symptom Matrix Chart

SYSTEM — Basic engine control system		SYMPTOM													Reference page
		HARD/NO START/RESTART (EXCP. HA)	ENGINE STALL	HESITATION/SURGING/FLAT SPOT	SPARK KNOCK/DETONATION	LACK OF POWER/POOR ACCELERATION	HIGH IDLE/LOW IDLE	ROUGH IDLE/HUNTING	IDLING VIBRATION	SLOW/NO RETURN TO IDLE	OVERHEATS/WATER TEMPERATURE HIGH	EXCESSIVE FUEL CONSUMPTION	EXCESSIVE OIL CONSUMPTION	BATTERY DEAD (UNDER CHARGE)	
Warranty symptom code		AA	AB	AC	AD	AE	AF	AG	AH	AJ	AK	AL	AM	HA	
Fuel	Fuel pump circuit	1	1	2	3	2		2	2			3		2	EC-431
	Fuel pressure regulator system	3	3	4	4	4	4	4	4	4		4			EC-27
	Injector circuit	1	1	2	3	2		2	2			2			EC-425
	Evaporative emission system	3	3	4	4	4	4	4	4	4		4			EC-20
Air	Positive crankcase ventilation system	3	3	4	4	4	4	4	4	4		4	1		EC-25
	IACV-air regulator circuit	2	3	2	3	3	2	2	2	3		3			EC-440
	Incorrect idle speed adjustment	3	3				1	1	1	1		1			EC-28
	IACV-AAC valve circuit	1	1	2	3	3	2	2	2	2		2		2	EC-291
	IACV-FICD solenoid valve circuit	2	2	3	3	3	3	3	3	3		3			EC-443
Ignition	Incorrect ignition timing adjustment	3	3	1	1	1		1	1			1			EC-28
	Ignition circuit	1	1	2	2	2		2	2			2			EC-318
EGR	EGRC-solenoid valve circuit		2	2	3	3						3			EC-329
	EGR system	2	1	2	3	3	3	2	2	3		3			EC-243
Main power supply and ground circuit		2	2	3	3	3		3	3		2	3		2	EC-97
Air conditioner circuit		2	2	3	3	3	3	3	3	3		3		2	HA section

1 - 6: The numbers refer to the checking order.

(continued on next page)

TROUBLE DIAGNOSIS — General Description

Symptom Matrix Chart (Cont'd)

SYSTEM — ECCS system	SYMPTOM														Reference page
	HARD/NO START/RESTART (EXCP. HA)	ENGINE STALL	HESITATION/SURGING/FLAT SPOT	SPARK KNOCK/DETONATION	LACK OF POWER/POOR ACCELERATION	HIGH IDLE/LOW IDLE	ROUGH IDLE/HUNTING	IDLING VIBRATION	SLOW/NO RETURN TO IDLE	OVERHEATS/WATER TEMPERATURE HIGH	EXCESSIVE FUEL CONSUMPTION	EXCESSIVE OIL CONSUMPTION	BATTERY DEAD (UNDER CHARGE)		
Warranty symptom code	AA	AB	AC	AD	AE	AF	AG	AH	AJ	AK	AL	AM	HA		
ECCS															
Camshaft position sensor circuit	2	2	3	3	3		3	3			3			EC-237	
Mass air flow sensor circuit	1	1	2	2	2		2	2			2			EC-102	
Front heated oxygen sensor circuit		1	2	3	2		2	2			2			EC-146, 152	
Engine coolant temperature sensor circuit	1	1	2	3	2	3	2	2	3		2			EC-125, 141	
Throttle position sensor circuit		1	2		2	2	2	2	2		2			EC-130	
Incorrect throttle position sensor adjustment		3	1		1	1	1	1	1		1			EC-73	
Vehicle speed sensor circuit		2	3		3						3			EC-287	
Knock sensor circuit			2								3			EC-229	
ECM	2	2	3	3	3	3	3	3	3	3	3			EC-306, 77	
Start signal circuit	2													EC-428	
Park/Neutral position switch circuit			3		3		3	3			3			EC-408	
Power steering oil pressure switch circuit		2					3	3						EC-436	

1 - 6: The numbers refer to the checking order.

(continued on next page)

GI
MA
EM
LC
EC
FE
CL
MT
AT
PD
FA
RA
BR
ST
RS
BT
HA
EL
IDX

TROUBLE DIAGNOSIS — General Description

Symptom Matrix Chart (Cont'd)

		SYMPTOM												Reference page		
		HARD/NO START/RESTART (EXCP. HA)	ENGINE STALL	HESITATION/SURGING/FLAT SPOT	SPARK KNOCK/DETONATION	LACK OF POWER/POOR ACCELERATION	HIGH IDLE/LOW IDLE	ROUGH IDLE/HUNTING	IDLING VIBRATION	SLOW/NO RETURN TO IDLE	OVERHEATS/WATER TEMPERATURE HIGH	EXCESSIVE FUEL CONSUMPTION	EXCESSIVE OIL CONSUMPTION		BATTERY DEAD (UNDER CHARGE)	
Warranty symptom code		AA	AB	AC	AD	AE	AF	AG	AH	AJ	AK	AL	AM	HA		
Fuel	Fuel tank	5													FE section	
	Fuel piping			5	5	5		5	5			5			—	
	Vapor lock		5													
	Valve deposit															
Poor fuel (Heavy weight gasoline, Low octane)	5		5	5	5		5	5			5					
Air	Air duct														—	
	Air cleaner															
	Air leakage from air duct (Mass air flow sensor — throttle body)		5	5		5		5	5			5				
	Throttle body, Throttle wire	5			5		5		5		5					FE section
	Air leakage from intake manifold/Collector/Gasket															—
Cranking	Battery	1	1	1		1		1	1			1		1	—	
	Alternator circuit															
	Starter circuit	3														EL section
	Clutch interlock switch	4														
	Theft warning circuit	5														
	Flywheel/Drive plate	6														EM section
	Inhibitor switch	4														AT section
Engine	Cylinder head	5	5	5	5	5		5	5			5			—	
	Cylinder head gasket										4	5	3			
	Cylinder block												4			
	Piston															
	Piston ring	6	6	6	6	6		6	6			6				
	Connecting rod															
	Bearing															
	Crankshaft															
Valve mechanism	Timing chain														—	
	Camshaft															
	Intake valve	5	5	5	5	5		5	5			5				
	Exhaust valve												3			
Exhaust	Exhaust manifold/Tube/Muffler/Gasket														—	
	Three way catalyzt	5	5	5	5	5	5	5			5			EM section & FE section		
Lubrication	Oil pan/Oil strainer/Oil pump/Oil filter/Oil gallery														—	
	Oil level (Low)/Filthy oil	5	5	5	5	5		5	5			5		MA, EM, LC section		
Cooling	Radiator/Hose/Radiator filler cap														—	
	Thermostat															
	Water pump															
	Water gallery	5	5	5	5	5		5	5			4	5			
	Cooling fan															
	Coolant level (low)/Contaminated coolant															LC section
															EC section	
															MA section	

1 - 6: The numbers refer to the checking order.

TROUBLE DIAGNOSIS — General Description

CONSULT Reference Value in Data Monitor Mode

Remarks:

- Specification data are reference values.
- Specification data are output/input values which are detected or supplied by the ECM at the connector.
- * Specification data may not be directly related to their components signals/values/operations.
- i.e. Adjust ignition timing with a timing light before monitoring IGN TIMING, because the monitor may show the specification data in spite of the ignition timing not being adjusted to the specification data. This IGN TIMING monitors the data calculated by the ECM according to the signals input from the camshaft position sensor and other ignition timing related sensors.
- If the real-time diagnosis results are NG and the on board diagnostic system results are OK when diagnosing the mass air flow sensor, first check to see if the fuel pump control circuit is normal.

MONITOR ITEM	CONDITION		SPECIFICATION
CMPS-RPM (REF)	<ul style="list-style-type: none"> • Tachometer: Connect • Run engine and compare tachometer indication with the CONSULT value. 		Almost the same speed as the CONSULT value.
MAS AIR/FL SE	<ul style="list-style-type: none"> • Engine: After warming up • Air conditioner switch "OFF" • Shift lever "N" • No-load 	Idle	1.3 - 1.7V
		2,500 rpm	1.7 - 2.1V
COOLAN TEMP/S	<ul style="list-style-type: none"> • Engine: After warming up 		More than 70°C (158°F)
FR O2 SENSOR	<ul style="list-style-type: none"> • Engine: After warming up 	Maintaining engine speed at 2,000 rpm	0 - 0.3V ↔ Approx. 0.6 - 1.0V
FR O2 MNTR			LEAN ↔ RICH Changes more than 5 times during 10 seconds.
RR O2 SENSOR	<ul style="list-style-type: none"> • Engine: After warming up 	Revving engine from idle to 3,000 rpm quickly	0 - 0.3V ↔ Approx. 0.6 - 1.0V
RR O2 MNTR			LEAN ↔ RICH
VHCL SPEED SE	<ul style="list-style-type: none"> • Turn drive wheels and compare speedometer indication with the CONSULT value 		Almost the same speed as the CONSULT value
BATTERY VOLT	<ul style="list-style-type: none"> • Ignition switch: ON (Engine stopped) 		11 - 14V
THRTL POS SEN	<ul style="list-style-type: none"> • Ignition switch: ON (Engine stopped) • Engine: After warming up 	Throttle valve fully closed	0.3 - 0.7V
		Throttle valve fully opened	Approx. 4.0V
EGR TEMP SEN	<ul style="list-style-type: none"> • Engine: After warming up 		Less than 4.5V
START SIGNAL	<ul style="list-style-type: none"> • Ignition switch: ON → START → ON 		OFF → ON → OFF
CLSD THL/P SW	<ul style="list-style-type: none"> • Ignition switch: ON (Engine stopped) • Engine: After warming up 	Throttle valve: Idle position	ON
		Throttle valve: Slightly open	OFF
AIR COND SIG	<ul style="list-style-type: none"> • Engine: After warming up, idle the engine 	Air conditioner switch "OFF"	OFF
		Air conditioner switch "ON" (Compressor operates.)	ON
P/N POSI SW	<ul style="list-style-type: none"> • Ignition switch: ON 	Shift lever "P" or "N"	ON
		Except above	OFF

TROUBLE DIAGNOSIS — General Description

CONSULT Reference Value in Data Monitor Mode (Cont'd)

MONITOR ITEM	CONDITION	SPECIFICATION
PW/ST SIGNAL	<ul style="list-style-type: none"> ● Engine: After warming up, idle the engine 	Steering wheel in neutral position (forward direction) OFF
		The steering wheel is turned ON
IGNITION SW	<ul style="list-style-type: none"> ● Ignition switch ON → OFF 	ON → OFF
A/C PRESS SW	<ul style="list-style-type: none"> ● Air conditioner high pressure side: Increasing to 1,422 - 1,618 kPa (14.5 - 16.5 kg/cm², 206 - 235 psi) 	ON
	<ul style="list-style-type: none"> ● Air conditioner high pressure side: Except above 	OFF
LOAD SIGNAL	<ul style="list-style-type: none"> ● Ignition switch: ON 	Rear window defogger is operating. ON
		Rear window defogger is not operating. OFF
AMB TEMP SW	<ul style="list-style-type: none"> ● Ignition switch: ON ● Compare ambient air temperature with the following: 	Below 19°C (66°F) OFF
		19 - 25°C (66 - 77°F) —
		Above 25°C (77°F) ON
INJ PULSE	<ul style="list-style-type: none"> ● Engine: After warming up ● Air conditioner switch "OFF" ● Shift lever "N" ● No-load 	Idle 2.4 - 3.2 msec.
		2,000 rpm 1.9 - 3.2 msec.
B/FUEL SCHDL	ditto	Idle 1.0 - 1.6 msec
		2,000 rpm 0.7 - 1.3 msec
IGN TIMING	ditto	Idle 20° BTDC
		2,000 rpm More than 25° BTDC
IACV-AAC/V	<ul style="list-style-type: none"> ● Engine: After warming up ● Idle speed ● Shift lever "N" 	<ul style="list-style-type: none"> ● No-load 0 - 50%
		<ul style="list-style-type: none"> ● Air conditioner switch: ON ● Steering wheel: Fully turned ● Rear window defogger switch: ON ● Headlamp switch: ON 70 - 100%
PURG VOL C/V	<ul style="list-style-type: none"> ● Engine: After warming up ● Air conditioner switch "OFF" ● Shift lever "N" 	Vehicle stopped 0 step
		Vehicle running (Shift lever "1") —
A/F ALPHA	<ul style="list-style-type: none"> ● Engine: After warming up 	Maintaining engine speed at 2,000 rpm 51 - 160%
EVAP SYS PRES	<ul style="list-style-type: none"> ● Ignition switch: ON 	Approx. 3.4V
AIR COND RLY	<ul style="list-style-type: none"> ● Air conditioner switch OFF → ON 	OFF → ON
FUEL PUMP RLY	<ul style="list-style-type: none"> ● Ignition switch is turned to ON (Operates for 5 seconds) ● Engine running and cranking ● When engine is stopped (stops in 1.0 seconds) 	ON
	Except as shown above	OFF
COOLING FAN	<ul style="list-style-type: none"> ● After warming up engine, idle the engine. ● Air conditioner switch "OFF" 	Engine coolant temperature is 94°C (201°F) or less OFF
		Engine coolant temperature is between 95°C (203°F) and 99°C (210°F) LOW
		Engine coolant temperature is 100°C (212°F) or more HIGH

TROUBLE DIAGNOSIS — General Description

CONSULT Reference Value in Data Monitor Mode (Cont'd)

MONITOR ITEM	CONDITION	SPECIFICATION
EGRC SOL/V	Idle	ON
	<ul style="list-style-type: none"> • Engine: After warming up • Properly raise drive wheels off of the ground • Set M/T or A/T selector lever in "1" position • Engine speed: Revving from 1,500 - 4,000 rpm [Vehicle speed is over 8 km/h (5 MPH).] 	OFF
VENT CONT/V	<ul style="list-style-type: none"> • Ignition switch: ON 	OFF
FR O2 HEATER	<ul style="list-style-type: none"> • Engine speed: Idle 	ON
	<ul style="list-style-type: none"> • Engine speed: Above 4,400 rpm 	OFF
RR O2 HEATER	<ul style="list-style-type: none"> • Engine speed: Idle 	ON
	<ul style="list-style-type: none"> • Engine speed: Above 2,800 rpm 	OFF
VC/V BYPASS/V	<ul style="list-style-type: none"> • Ignition switch: ON 	OFF
PURG CONT S/V	<ul style="list-style-type: none"> • Engine: After warming up • Shift lever "N" 	Vehicle stopped OFF
		Vehicle running (Shift lever "1") ON
CAL/LD VALUE	<ul style="list-style-type: none"> • Engine: After warming up • Air conditioner switch "OFF" • Shift lever "N" • No-load 	Idle 10.0 - 24.0%
		2,500 rpm 11.0 - 25.0%
ABSOL TH/P/S	<ul style="list-style-type: none"> • Ignition switch: ON (Engine stopped) 	Throttle valve fully closed 0.0%
		Throttle valve fully opened Approx. 84%
MASS AIRFLOW	<ul style="list-style-type: none"> • Engine: After warming up • Air conditioner switch "OFF" • Shift lever "N" • No-load 	Idle 1.5 - 4.5 g-m/s
		2,500 rpm 6.0 - 14.0 g-m/s
MAP/BARO SW/V	<ul style="list-style-type: none"> • For 5 seconds after starting engine 	BARO
	<ul style="list-style-type: none"> • More than 5 seconds after starting engine 	MAP
ABSOL PRES/SE	<ul style="list-style-type: none"> • Engine: After warming up 	Engine is not running Approx. 4.3V
		Idle (10 seconds after starting engine) Approx. 1.2V

GI
 MA
 EM
 LC
EC
 FE
 CL
 MT
 AT
 PD
 FA
 RA
 BR
 ST
 RS
 BT
 HA
 EL
 IDX

TROUBLE DIAGNOSIS — General Description

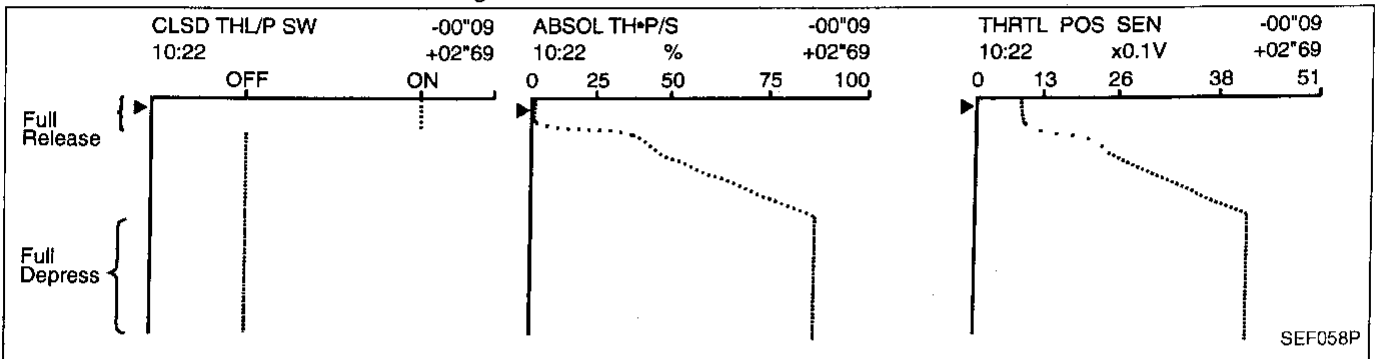
Major Sensor Reference Graph in Data Monitor Mode

The following are the major sensor reference graphs in "DATA MONITOR" mode.
(Select "HI SPEED" in "DATA MONITOR" with CONSULT.)

THRTL POS SEN, ABSOL TH·P/S, CLSD THL/P SW

Below is the data for "THRTL POS SEN", "ABSOL TH·P/S" and "CLSD THL/P SW" when depressing the accelerator pedal with the ignition switch "ON".

The signal of "THRTL POS SEN" and "ABSOL TH·P/S" should rise gradually without any intermittent drop or rise after "CLSD THL/P SW" is changed from "ON" to "OFF".

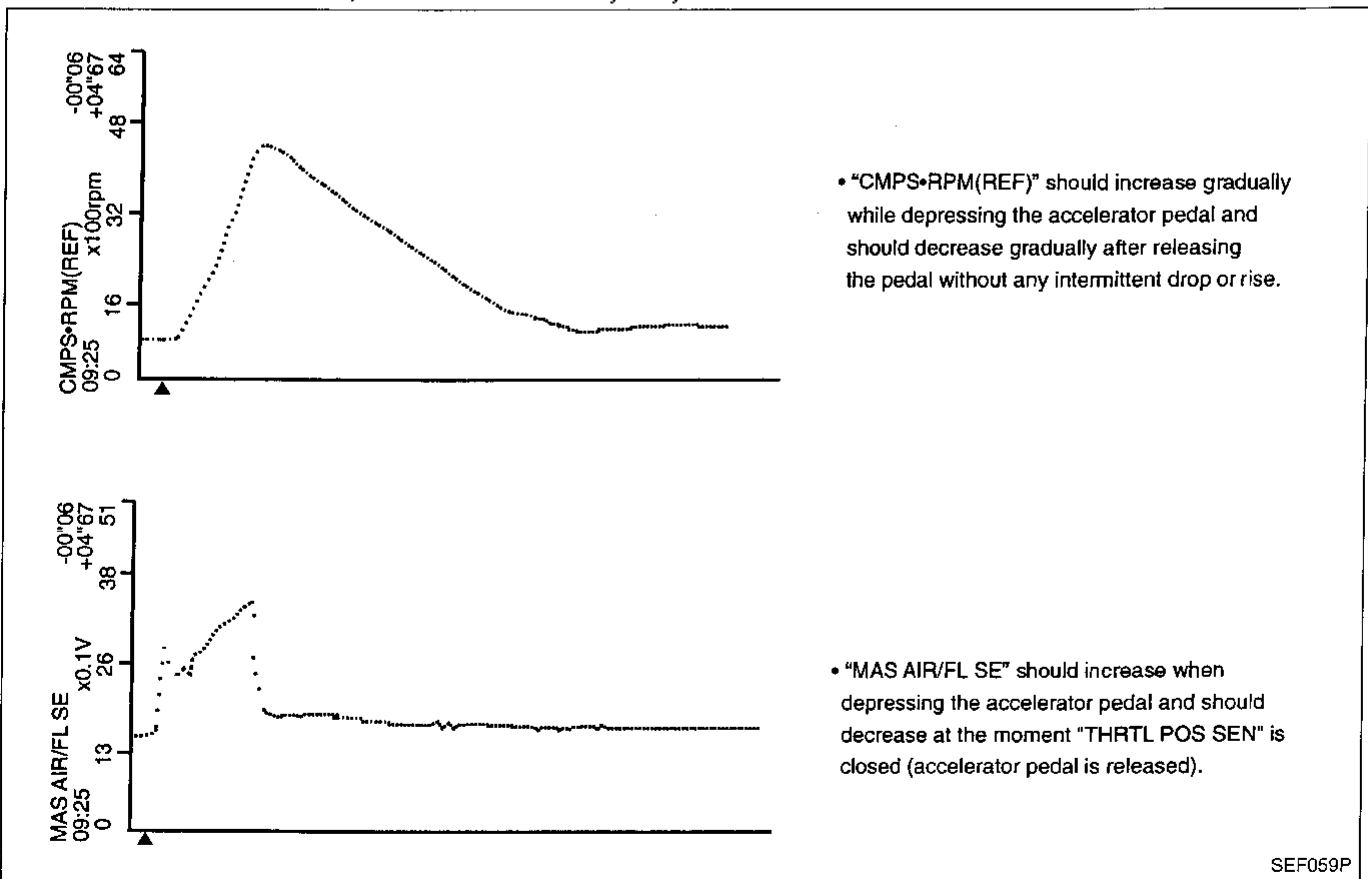


SEF058P

CMPS·RPM (REF), MAS AIR/FL SE, THRTL POS SEN, RR O2 SEN, FR O2 SEN, INJ PULSE

Below is the data for "CMPS·RPM (REF)", "MAS AIR/FL SE", "THRTL POS SEN", "RR O2 SEN", "FR O2 SEN" and "INJ PULSE" when revving engine quickly up to 4,800 rpm under no load after warming up engine to normal operating temperature.

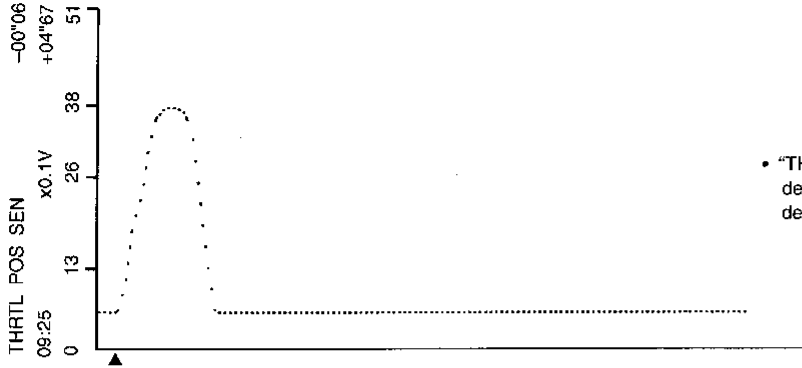
Each value is for reference, the exact value may vary.



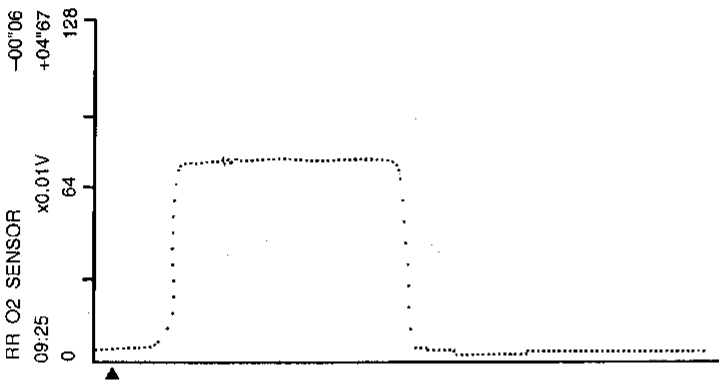
SEF059P

TROUBLE DIAGNOSIS — General Description

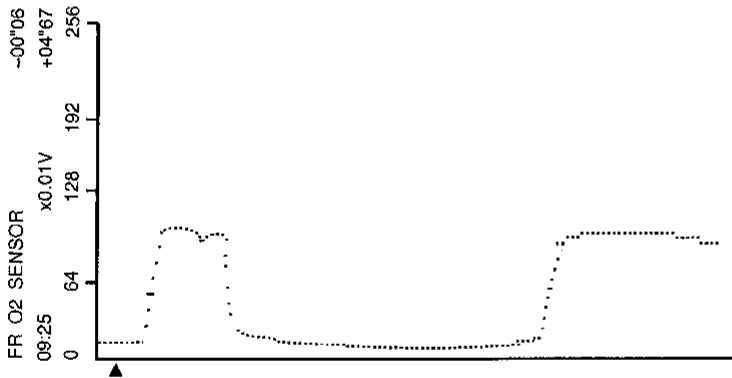
Major Sensor Reference Graph in Data Monitor Mode (Cont'd)



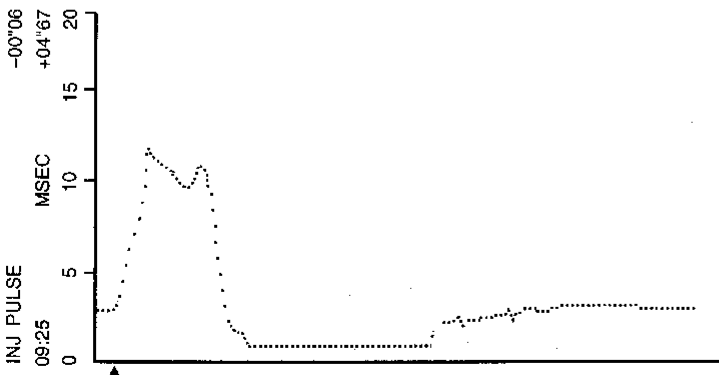
- "THRTL POS SEN" should increase while depressing the accelerator pedal and should decrease while releasing it.



- "RR O2 SENSOR" may increase immediately after depressing the accelerator pedal and may decrease after releasing the pedal.



- "FR O2 SENSOR" may increase immediately after depressing the accelerator pedal and may decrease after releasing the pedal.



- "INJ PULSE" should increase when depressing the accelerator pedal and should decrease when the pedal is released.

GI

MA

EM

LC

EC

FE

CL

MT

AT

PD

FA

RA

BR

ST

RS

BT

HA

EL

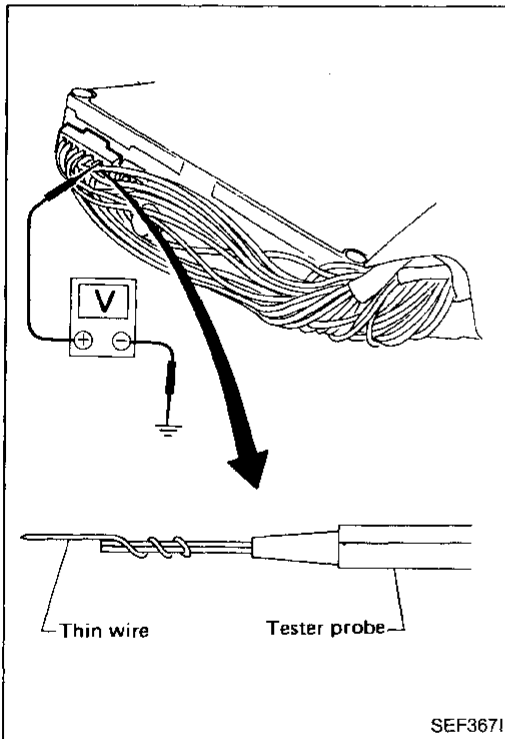
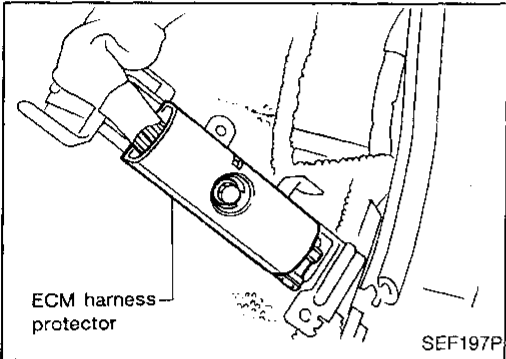
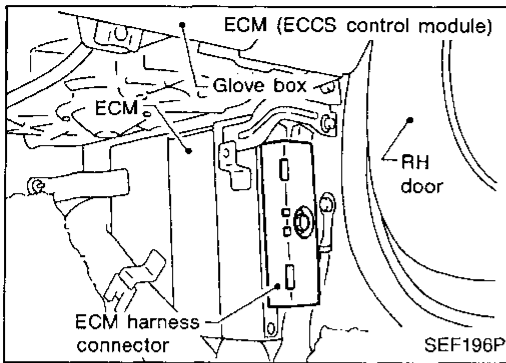
IDX

TROUBLE DIAGNOSIS — General Description

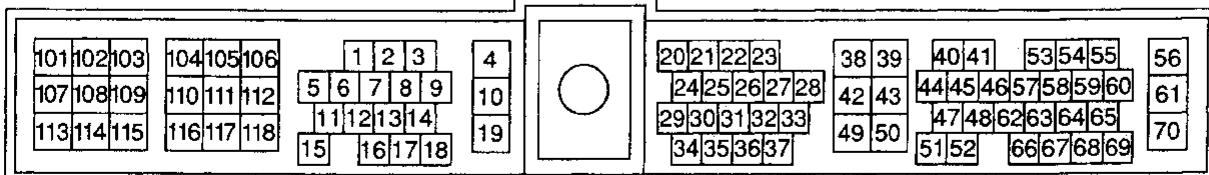
ECM Terminals and Reference Value

PREPARATION

- ECM is located behind the instrument lower cover. For this inspection:
 - Remove instrument lower cover.
- Remove ECM harness protector.
- Perform all voltage measurements with the connector connected. Extend tester probe as shown to perform tests easily.
 - Open harness securing clip to make testing easier.
 - Use extreme care not to touch 2 pins at one time.
 - Data is for comparison and may not be exact.



ECM HARNESS CONNECTOR TERMINAL LAYOUT



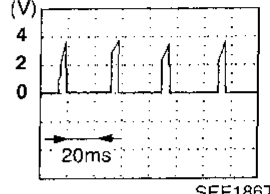
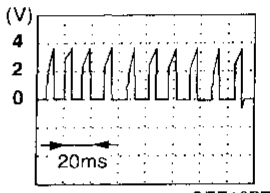
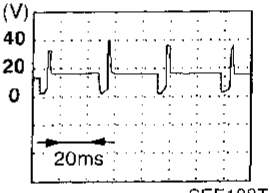
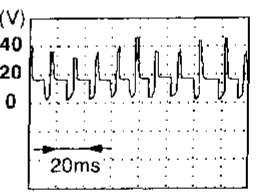
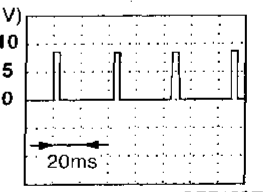
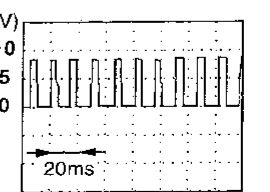
SEF064P

TROUBLE DIAGNOSIS — General Description

ECM Terminals and Reference Value (Cont'd)

ECM INSPECTION TABLE

Specification data are reference values and are measured between each terminal and Ⓞ (ECCS ground).

TER-MINAL NO.	WIRE COLOR	ITEM	CONDITION	DATA (DC Voltage)	
1	W	Ignition signal	<p>Engine is running. (Warm-up condition)</p> <p>└ Idle speed</p>	<p>0.3 - 0.5V</p> 	<p>GI</p> <p>MA</p> <p>EM</p> <p>LC</p>
			<p>Engine is running.</p> <p>└ Engine speed is 2,000 rpm.</p>	<p>0.7 - 1.0V</p> 	<p>EC</p> <p>FE</p> <p>CL</p>
2	W	Ignition check	<p>Engine is running. (Warm-up condition)</p> <p>└ Idle speed</p>	<p>13 - 14V</p> 	<p>MT</p> <p>AT</p> <p>PD</p>
			<p>Engine is running.</p> <p>└ Engine speed is 2,000 rpm.</p>	<p>12 - 13V</p> 	<p>FA</p> <p>RA</p> <p>BR</p>
3	Y/R	Tachometer	<p>Engine is running. (Warm-up condition)</p> <p>└ Idle speed</p>	<p>0.8 - 1.5V</p> 	<p>ST</p> <p>RS</p> <p>BT</p>
			<p>Engine is running.</p> <p>└ Engine speed is 2,000 rpm.</p>	<p>2 - 3V</p> 	<p>HA</p> <p>EL</p> <p>IDX</p>

TROUBLE DIAGNOSIS — General Description

ECM Terminals and Reference Value (Cont'd)

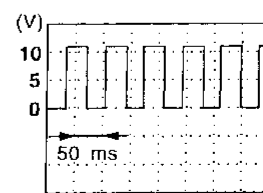
TER-MINAL NO.	WIRE COLOR	ITEM	CONDITION	DATA (DC Voltage)
4	R/B	ECCS relay (Self-shutoff)	<div style="border: 1px solid black; padding: 2px;">Engine is running.</div> <div style="border: 1px solid black; padding: 2px;">Ignition switch "OFF"</div> <ul style="list-style-type: none"> └ For a few seconds after turning ignition switch "OFF" 	0 - 1V
			<div style="border: 1px solid black; padding: 2px;">Ignition switch "OFF"</div> <ul style="list-style-type: none"> └ A few seconds passed after turning ignition switch "OFF" 	BATTERY VOLTAGE (11 - 14V)
5	L	EVAP canister purge volume control valve	<div style="border: 1px solid black; padding: 2px;">Engine is running.</div> <ul style="list-style-type: none"> └ Idle speed 	0 - 0.4V
6	Y/L			
7	Y/L (M/T models)	5th position switch	<div style="border: 1px solid black; padding: 2px;">Ignition switch "ON"</div>	Above 5.0V
			<div style="border: 1px solid black; padding: 2px;">Ignition switch "ON"</div> <ul style="list-style-type: none"> └ Gear is in "5th position". 	Approximately 0V
	R/B (A/T models)	A/T check signal	<div style="border: 1px solid black; padding: 2px;">Ignition switch "ON"</div> <div style="border: 1px solid black; padding: 2px;">Engine is running.</div>	1.0 - 8.0V
8	B/P	Fuel pump relay	<div style="border: 1px solid black; padding: 2px;">Ignition switch "ON"</div> <ul style="list-style-type: none"> └ For 5 seconds after turning ignition switch "ON" 	Approximately 0.9V
			<div style="border: 1px solid black; padding: 2px;">Engine is running.</div> <div style="border: 1px solid black; padding: 2px;">Ignition switch "ON"</div> <ul style="list-style-type: none"> └ More than 5 seconds after turning ignition switch "ON" 	BATTERY VOLTAGE (11 - 14V)
9	OR/B	Air conditioner triple-pressure switch	<div style="border: 1px solid black; padding: 2px;">Ignition switch "ON".</div>	Approximately 7V
10	B	ECCS ground	<div style="border: 1px solid black; padding: 2px;">Engine is running.</div> <ul style="list-style-type: none"> └ Idle speed 	Engine ground
13	OR/L	Cooling fan relay (High)	<div style="border: 1px solid black; padding: 2px;">Engine is running.</div> <ul style="list-style-type: none"> └ Cooling fan is not operating. 	BATTERY VOLTAGE (11 - 14V)
			<div style="border: 1px solid black; padding: 2px;">Engine is running.</div> <ul style="list-style-type: none"> └ Cooling fan (High) is operating. 	0.07 - 0.30V
14	L/G	Cooling fan relay (Low)	<div style="border: 1px solid black; padding: 2px;">Engine is running.</div> <ul style="list-style-type: none"> └ Cooling fan is not operating. 	BATTERY VOLTAGE (11 - 14V)
			<div style="border: 1px solid black; padding: 2px;">Engine is running.</div> <ul style="list-style-type: none"> └ Cooling fan (Low) is operating. 	0.07 - 0.30V
15	B/P	Air conditioner relay	<div style="border: 1px solid black; padding: 2px;">Engine is running.</div> <ul style="list-style-type: none"> └ Both A/C switch and blower switch are "ON"**. 	0.08 - 0.30V
			<div style="border: 1px solid black; padding: 2px;">Engine is running.</div> <ul style="list-style-type: none"> └ A/C switch is "OFF". 	BATTERY VOLTAGE (11 - 14V)
16	W/B	EVAP canister purge volume control valve	<div style="border: 1px solid black; padding: 2px;">Engine is running.</div>	BATTERY VOLTAGE (11 - 14V)
17	R/G		<ul style="list-style-type: none"> └ Idle speed 	(11 - 14V)

*: Any mode except "OFF", ambient air temperature above 10°C (50°F).

TROUBLE DIAGNOSIS — General Description

ECM Terminals and Reference Value (Cont'd)

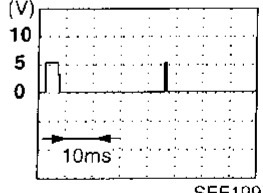
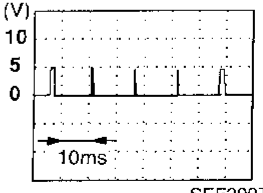
TER-MINAL NO.	WIRE COLOR	ITEM	CONDITION	DATA (DC Voltage)	
18	OR	Malfunction indicator lamp	Ignition switch "ON"	Approximately 0.1V	GI
			Engine is running. └ Idle speed	BATTERY VOLTAGE (11 - 14V)	MA
19	B	ECCS ground	Engine is running. └ Idle speed	Engine ground	EM
20	OR	Start signal	Ignition switch "ON"	Approximately 0V	LC
			Ignition switch "START"	BATTERY VOLTAGE (11 - 14V)	EC
21	OR/L	Air conditioner switch	Engine is running. └ Both air conditioner switch and blower switch are "ON" (Compressor operates)	Approximately 0V	FE
			Engine is running. └ Air conditioner switch is "OFF".	BATTERY VOLTAGE (11 - 14V)	CL
22	G/OR (M/T models) R/G (A/T models)	Neutral position switch (M/T models) Inhibitor switch (A/T models)	Ignition switch "ON" └ Gear position is "Neutral position" (M/T models). └ Gear position is "N" or "P" (A/T models).	Approximately 0V	MT
			Ignition switch "ON" └ Except the above gear position	Approximately 5V	AT PD
23	W	Throttle position sensor	Ignition switch "ON" (Warm-up condition) └ Accelerator pedal fully released	0.3 - 0.7V	FA
			Ignition switch "ON" └ Accelerator pedal fully depressed	Approximately 4V	RA
24	L/G	A/T signal No. 1	Ignition switch "ON"	6 - 8V	BR
			Engine is running. └ Idle speed		
25	PU/W	Power steering oil pressure switch	Engine is running. └ Steering wheel is fully being turned.	Approximately 0V	RS
			Engine is running. └ Steering wheel is not being turned.	Approximately 5V	BT
26	Y/G	Vehicle speed sensor	Engine is running. └ Lift up the vehicle. └ In 1st gear position └ 40 km/h (25 MPH)	0 - Approximately 4.2V	HA EL IDX



SEF642U

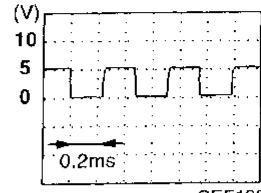
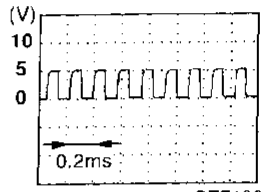
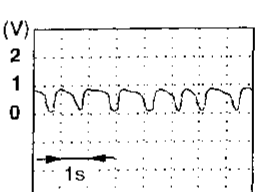
TROUBLE DIAGNOSIS — General Description

ECM Terminals and Reference Value (Cont'd)

TER-MINAL NO.	WIRE COLOR	ITEM	CONDITION	DATA (DC Voltage)
27	LG	Throttle position switch (Closed position)	<div style="border: 1px solid black; padding: 2px;">Ignition switch "ON"</div> (Warm-up condition) ↳ Accelerator pedal fully released	BATTERY VOLTAGE (11 - 14V)
			<div style="border: 1px solid black; padding: 2px;">Ignition switch "ON"</div> ↳ Accelerator pedal depressed	Approximately 0V
28	L/W	Intake air temperature sensor	<div style="border: 1px solid black; padding: 2px;">Engine is running.</div>	Approximately 0 - 4.8V Output voltage varies with intake air temperature.
29	L/W	A/T signal No. 2	<div style="border: 1px solid black; padding: 2px;">Ignition switch "ON"</div> <div style="border: 1px solid black; padding: 2px;">Engine is running.</div> ↳ Idle speed	6 - 8V
30	L/R	A/T signal No. 3	<div style="border: 1px solid black; padding: 2px;">Ignition switch "ON"</div>	0V
33	R/Y	Throttle position sensor signal	<div style="border: 1px solid black; padding: 2px;">Ignition switch "ON"</div> (Warm-up condition) ↳ Accelerator pedal fully released	Approximately 0.4V
			<div style="border: 1px solid black; padding: 2px;">Ignition switch "ON"</div> ↳ Accelerator pedal fully depressed	Approximately 3V
37	L/W	Ambient air temperature switch	<div style="border: 1px solid black; padding: 2px;">Engine is running.</div> ↳ Idle speed	0V
			<div style="border: 1px solid black; padding: 2px;">Engine is running.</div> [Ambient air temperature is above 25°C (77°F).] ↳ Idle speed ↳ Air conditioner is operating.	Approximately 0.2V
38	B/R	Ignition switch	<div style="border: 1px solid black; padding: 2px;">Ignition switch "OFF"</div>	0V
			<div style="border: 1px solid black; padding: 2px;">Ignition switch "ON"</div>	BATTERY VOLTAGE (11 - 14V)
39	B	ECCS ground	<div style="border: 1px solid black; padding: 2px;">Engine is running.</div> ↳ Idle speed	Engine ground
40	W	Camshaft position sensor (Reference signal)	<div style="border: 1px solid black; padding: 2px;">Engine is running.</div> (Warm-up condition) ↳ Idle speed	0.1 - 0.5V  SEF199T
44	W		<div style="border: 1px solid black; padding: 2px;">Engine is running.</div> ↳ Engine speed is 2,000 rpm.	0.2 - 0.4V  SEF200T

TROUBLE DIAGNOSIS — General Description

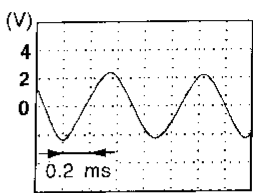
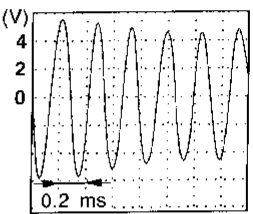
ECM Terminals and Reference Value (Cont'd)

TER-MINAL NO.	WIRE COLOR	ITEM	CONDITION	DATA (DC Voltage)
41	B	Camshaft position sensor (Position signal)	<div style="border: 1px solid black; padding: 2px; display: inline-block;">Engine is running.</div> (Warm-up condition) └ Idle speed	Approximately 2.5V 
			<div style="border: 1px solid black; padding: 2px; display: inline-block;">Engine is running.</div> └ Engine speed is 2,000 rpm.	Approximately 2.3 - 2.5V 
43	B	ECCS ground	<div style="border: 1px solid black; padding: 2px; display: inline-block;">Engine is running.</div> └ Idle speed	Engine ground (Probe this terminal with ⊖ tester probe when measuring.)
46	W	Front heated oxygen sensor	<div style="border: 1px solid black; padding: 2px; display: inline-block;">Engine is running.</div> └ After warming up to normal operating temperature and engine speed is 2,000 rpm	0 - Approximately 1.0V 
47	W	Mass air flow sensor	<div style="border: 1px solid black; padding: 2px; display: inline-block;">Engine is running.</div> (Warm-up condition) └ Idle speed	1.3 - 1.7V
			<div style="border: 1px solid black; padding: 2px; display: inline-block;">Engine is running.</div> (Warm-up condition) └ Engine speed is 2,500 rpm.	1.7 - 2.1V
48	B	Mass air flow sensor ground	<div style="border: 1px solid black; padding: 2px; display: inline-block;">Engine is running.</div> (Warm-up condition) └ Idle speed	Approximately 0V
49	LG/R	Sensors' power supply	<div style="border: 1px solid black; padding: 2px; display: inline-block;">Ignition switch "ON"</div>	Approximately 5V
50	B	Sensors' ground	<div style="border: 1px solid black; padding: 2px; display: inline-block;">Engine is running.</div> (Warm-up condition) └ Idle speed	Approximately 0V
51	L/OR	Engine coolant temperature sensor	<div style="border: 1px solid black; padding: 2px; display: inline-block;">Engine is running.</div>	Approximately 0 - 4.8V Output voltage varies with engine coolant temperature.
52	W	Rear heated oxygen sensor	<div style="border: 1px solid black; padding: 2px; display: inline-block;">Engine is running.</div> └ After warming up to normal operating temperature and revving engine from idle to 3,000 rpm quickly	0 - Approximately 1.0V

CI
 MA
 EM
 EC
 FE
 CL
 MT
 AT
 PD
 FA
 RA
 BR
 ST
 RS
 BT
 HA
 EL
 IDX

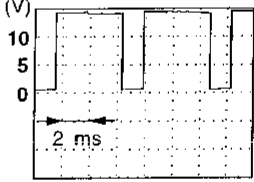
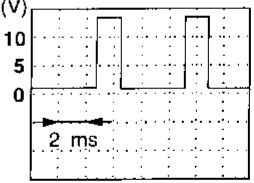
TROUBLE DIAGNOSIS — General Description

ECM Terminals and Reference Value (Cont'd)

TER-MINAL NO.	WIRE COLOR	ITEM	CONDITION	DATA (DC Voltage)
53	P	Crankshaft position sensor (OBD)	<div style="border: 1px solid black; padding: 2px;">Engine is running.</div> (Warm-up condition) └ Idle speed	Approximately 0.5V  SEF643U
			<div style="border: 1px solid black; padding: 2px;">Engine is running.</div> └ Engine speed is 2,000 rpm.	Approximately 0V  SEF644U
54	W	Knock sensor	<div style="border: 1px solid black; padding: 2px;">Engine is running.</div> └ Idle speed	2.0 - 3.0V
55	L/R	Rear window defogger relay	<div style="border: 1px solid black; padding: 2px;">Ignition switch "ON"</div> └ Rear window defogger is "OFF".	Approximately 0V
			<div style="border: 1px solid black; padding: 2px;">Ignition switch "ON"</div> └ Rear window defogger is "ON".	BATTERY VOLTAGE (11 - 14V)
56	B/W	Power supply for ECM	<div style="border: 1px solid black; padding: 2px;">Ignition switch "ON"</div>	BATTERY VOLTAGE (11 - 14V)
61	B/W			BATTERY VOLTAGE (11 - 14V)
58	L/B	Data link connector for GST	<div style="border: 1px solid black; padding: 2px;">Engine is running.</div> └ Idle speed	Approximately 9V
60	R/Y	Headlamp switch	<div style="border: 1px solid black; padding: 2px;">Lighting switch "ON"</div>	BATTERY VOLTAGE (11 - 14V)
			<div style="border: 1px solid black; padding: 2px;">Lighting switch "OFF"</div>	Approximately 0V
62	B/W	EGR temperature sensor	<div style="border: 1px solid black; padding: 2px;">Engine is running.</div> (Warm-up condition) └ Idle speed	Less than 4.5V
			<div style="border: 1px solid black; padding: 2px;">Engine is running.</div> (Warm-up condition) └ EGR system is operating.	Approximately 0 - 3.0V
63	Y	Tank fuel temperature sensor	<div style="border: 1px solid black; padding: 2px;">Engine is running.</div>	Approximately 0 - 4.8V Output voltage varies with fuel temperature.
64	G/B	Data link connector for CONSULT	<div style="border: 1px solid black; padding: 2px;">Engine is running.</div> └ Idle speed (CONSULT is connected and turned on.)	Approximately 0.1V
65	G			4 - 9V
68	G/W			Approximately 3.5V

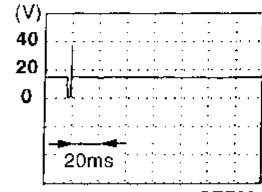
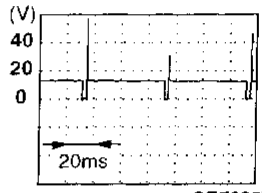
TROUBLE DIAGNOSIS — General Description

ECM Terminals and Reference Value (Cont'd)

TER-MINAL NO.	WIRE COLOR	ITEM	CONDITION	DATA (DC Voltage)
66	W	Absolute pressure sensor	<div style="border: 1px solid black; padding: 2px; display: inline-block;">Ignition switch "ON"</div> For 5 seconds after turning ignition switch "ON"	Approximately 4.4V
			<div style="border: 1px solid black; padding: 2px; display: inline-block;">Engine is running.</div> For 5 seconds after starting engine	
			<div style="border: 1px solid black; padding: 2px; display: inline-block;">Engine is running.</div> (Warm-up condition) More than 5 seconds after starting engine	Approximately 1.2V
67	G	EVAP control system pressure sensor	<div style="border: 1px solid black; padding: 2px; display: inline-block;">Ignition switch "ON"</div>	Approximately 3.4V
69	Y/B	MAP/BARO switch solenoid valve	<div style="border: 1px solid black; padding: 2px; display: inline-block;">Ignition switch "ON"</div> For 5 seconds after turning ignition switch "ON"	Approximately 0V
			<div style="border: 1px solid black; padding: 2px; display: inline-block;">Engine is running.</div> For 5 seconds after starting engine	
			<div style="border: 1px solid black; padding: 2px; display: inline-block;">Ignition switch "ON"</div> More than 5 seconds after turning ignition switch "ON"	BATTERY VOLTAGE (11 - 14V)
			<div style="border: 1px solid black; padding: 2px; display: inline-block;">Engine is running.</div> More than 5 seconds after starting engine	
70	R	Power supply (Back-up)	<div style="border: 1px solid black; padding: 2px; display: inline-block;">Ignition switch "OFF"</div>	BATTERY VOLTAGE (11 - 14V)
101	BR	IACV-AAC valve	<div style="border: 1px solid black; padding: 2px; display: inline-block;">Engine is running.</div> (Warm-up condition) Idle speed	Approximately 12V 
			<div style="border: 1px solid black; padding: 2px; display: inline-block;">Engine is running.</div> (Warm-up condition) Engine speed is 2,000 rpm.	1 - 12V 

TROUBLE DIAGNOSIS — General Description

ECM Terminals and Reference Value (Cont'd)

TERMINAL NO.	WIRE COLOR	ITEM	CONDITION	DATA (DC Voltage)
102	W/B	Injector No. 1	<div style="border: 1px solid black; padding: 2px;">Engine is running.</div> (Warm-up condition) └ Idle speed	BATTERY VOLTAGE (11 - 14V)  SEF204T
104	G/B	Injector No. 3		
107	Y/B	Injector No. 2	<div style="border: 1px solid black; padding: 2px;">Engine is running.</div> (Warm-up condition) └ Engine speed is 2,000 rpm.	BATTERY VOLTAGE (11 - 14V)  SEF205T
109	L/B	Injector No. 4		
103	L/R	EGRC-solenoid valve	<div style="border: 1px solid black; padding: 2px;">Engine is running.</div> (Warm-up condition) └ Properly raise drive wheels off of the ground. └ Set M/T or A/T selector lever in "1" position. └ Engine speed: revving from 1,500 to 3,200 rpm [Vehicle speed is over 8 km/h (5 MPH).]	BATTERY VOLTAGE (11 - 14V)
			<div style="border: 1px solid black; padding: 2px;">Engine is running.</div> (Warm-up condition) └ Idle speed	Approximately 0V
105	Y/R	EVAP canister purge control solenoid valve	<div style="border: 1px solid black; padding: 2px;">Engine is running.</div> └ Idle speed	BATTERY VOLTAGE (11 - 14V)
106	B	ECCS ground	<div style="border: 1px solid black; padding: 2px;">Engine is running.</div> └ Idle speed	Engine ground
108	Y/G	EVAP canister vent control valve	<div style="border: 1px solid black; padding: 2px;">Ignition switch "ON"</div>	BATTERY VOLTAGE (11 - 14V)
110	B	Rear heated oxygen sensor heater	<div style="border: 1px solid black; padding: 2px;">Engine is running.</div> └ Engine speed is below 2,800 rpm.	0 - Approximately 0.3V
			<div style="border: 1px solid black; padding: 2px;">Engine is running.</div> └ Engine speed is above 2,800 rpm.	BATTERY VOLTAGE (11 - 14V)
112	B	ECCS ground	<div style="border: 1px solid black; padding: 2px;">Engine is running.</div> └ Idle speed	Engine ground
113	R	Current return	<div style="border: 1px solid black; padding: 2px;">Engine is running.</div> └ Idle speed	BATTERY VOLTAGE (11 - 14V)
114	OR/L	REC relay	<div style="border: 1px solid black; padding: 2px;">Ignition switch "ON"</div> └ Relay is operating.	BATTERY VOLTAGE (11 - 14V)

TROUBLE DIAGNOSIS — General Description

ECM Terminals and Reference Value (Cont'd)

TER-MINAL NO.	WIRE COLOR	ITEM	CONDITION	DATA (DC Voltage)	
115	L	Front heated oxygen sensor heater	Engine is running.	Approximately 0V	GI
			└ Engine speed is below 4,400 rpm.		
117	G/R	Vacuum cut valve bypass valve	Engine is running.	BATTERY VOLTAGE (11 - 14V)	MA
			└ Engine speed is above 4,400 rpm.		
117	G/R	Vacuum cut valve bypass valve	Ignition switch "ON"	BATTERY VOLTAGE (11 - 14V)	EM
118	B	ECCS ground	Engine is running.	Engine ground	LC
			└ Idle speed		

EC

FE

CL

MT

AT

PD

FA

RA

BR

ST

RS

BT

HA

EL

IDX

TROUBLE DIAGNOSIS FOR INTERMITTENT INCIDENT

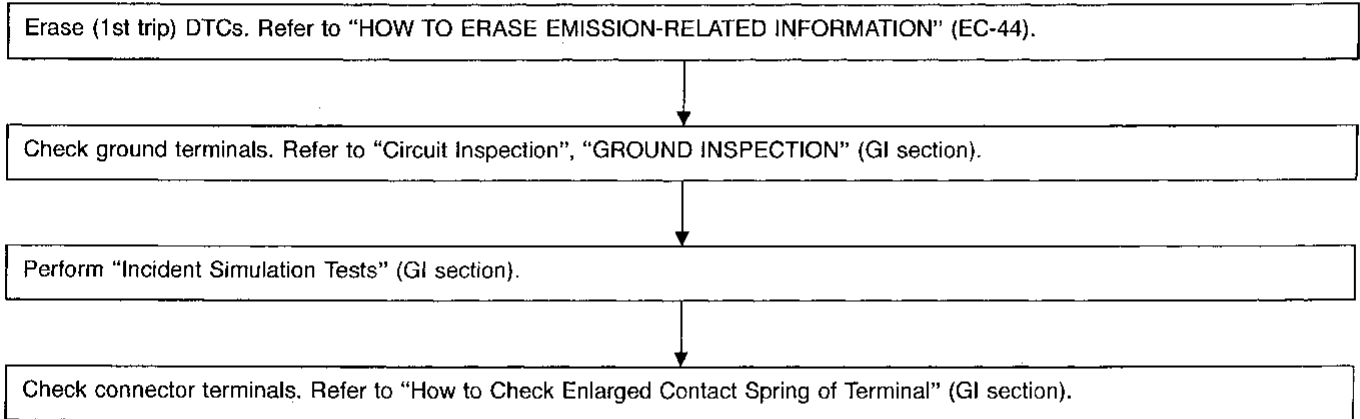
Description

Intermittent incidents (I/I) may occur. In many cases, the problem resolves itself (the part or circuit function returns to normal without intervention). It is important to realize that the symptoms described in the customer's complaint often do not recur on DTC (1st trip) visits. Realize also that the most frequent cause of I/I occurrences is poor electrical connections. Because of this, the conditions under which the incident occurred may not be clear. Therefore, circuit checks made as part of the standard diagnostic procedure may not indicate the specific problem area.

Common I/I Report Situations

STEP in Work Flow	Situation
II	The CONSULT is used. The SELF-DIAG RESULTS screen shows time data other than "0" or "1t".
III	The symptom described by the customer does not recur.
IV	(1st trip) DTC data does not appear during the DTC CONFIRMATION PROCEDURE.
VI	The TROUBLE DIAGNOSIS for PXXXX does not indicate the problem area.

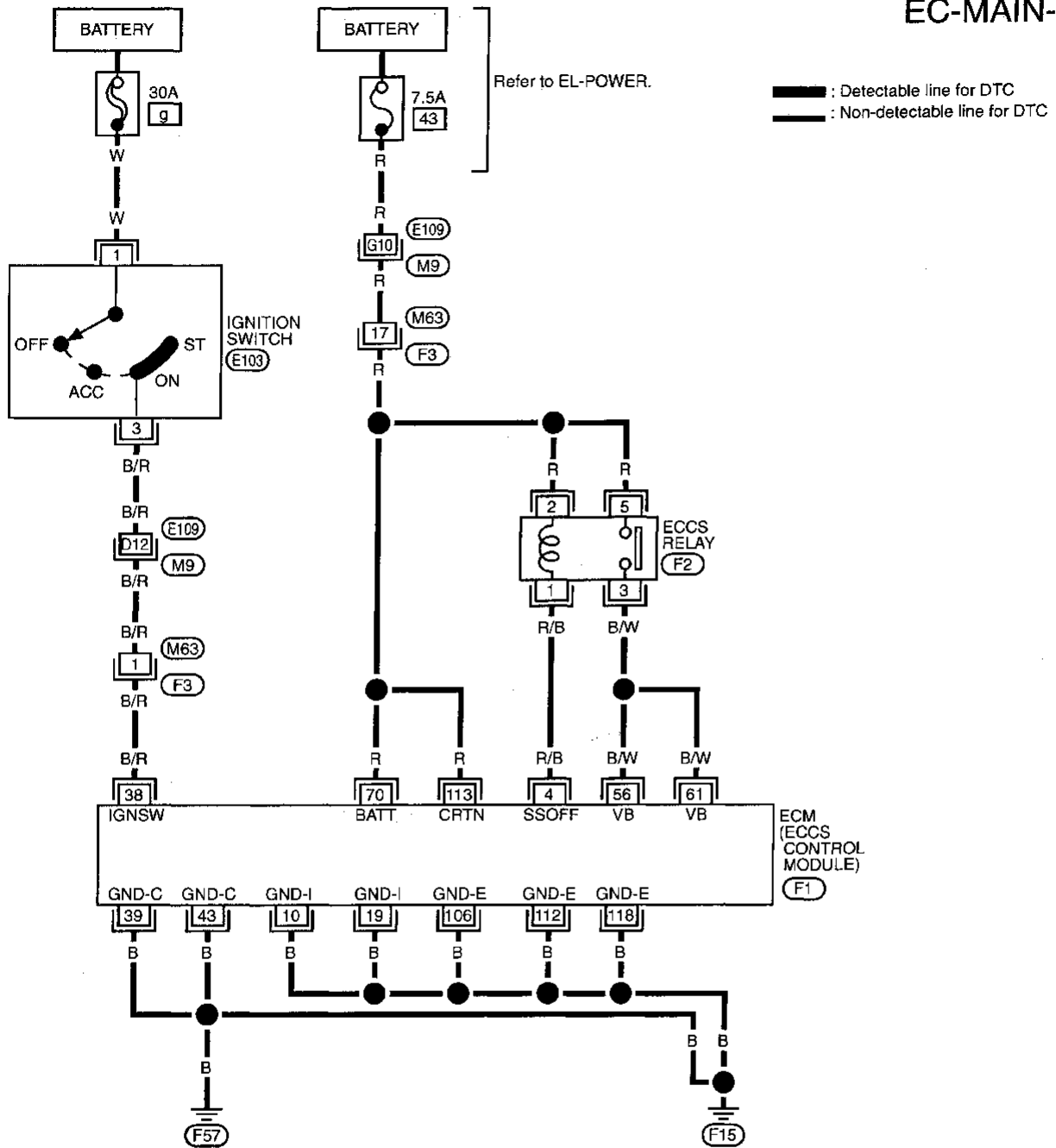
Diagnostic Procedure



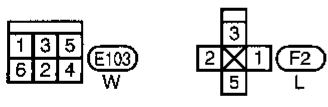
TROUBLE DIAGNOSIS FOR POWER SUPPLY

Main Power Supply and Ground Circuit

EC-MAIN-01

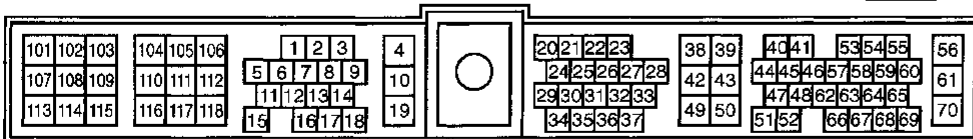


GI
MA
EM
LC
EC
FE
CL
MT
AT
PD
FA
RA
BR
ST
RS



Refer to last page (Foldout page).

(E109), (M9)
(M63), (F3)



BT
HA
EL
IDX

TROUBLE DIAGNOSIS FOR POWER SUPPLY

Main Power Supply and Ground Circuit (Cont'd)

ECM TERMINALS AND REFERENCE VALUE

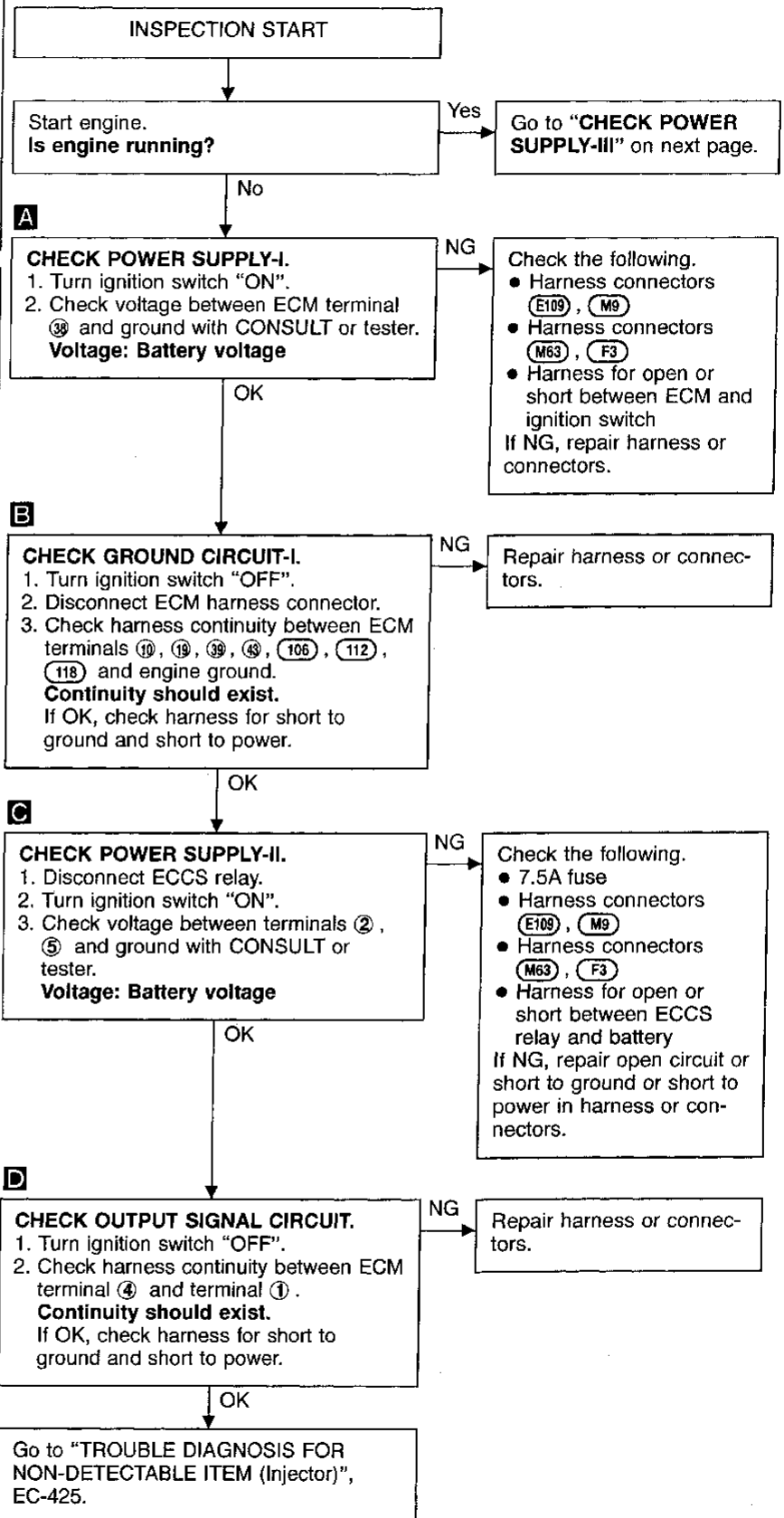
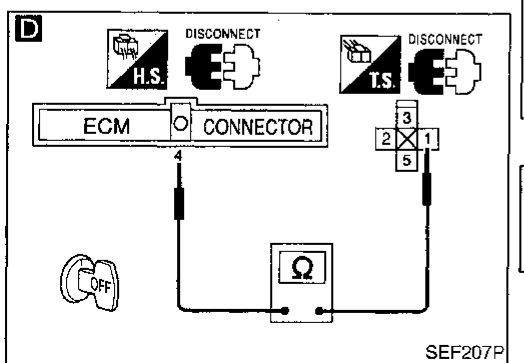
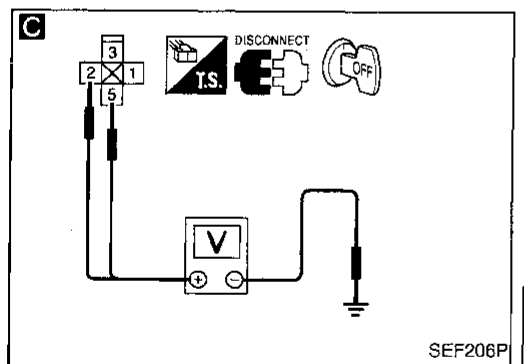
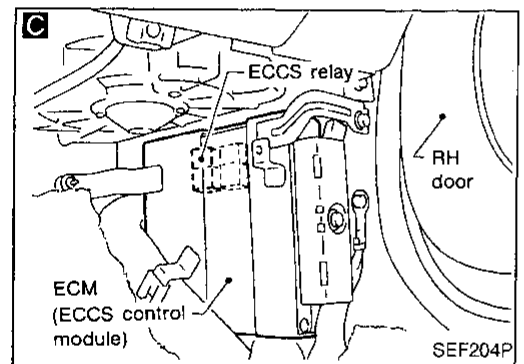
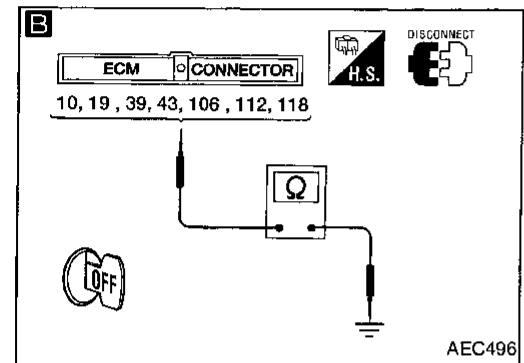
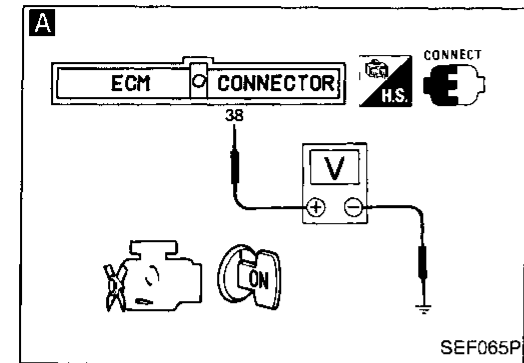
Specification data are reference values and are measured between each terminal and Ⓞ (ECCS ground).

TER-MINAL NO.	WIRE COLOR	ITEM	CONDITION	DATA (DC Voltage)
4	R/B	ECCS relay (Self-shutoff)	<div style="border: 1px solid black; padding: 2px;">Engine is running.</div> <div style="border: 1px solid black; padding: 2px; margin-top: 5px;">Ignition switch "OFF"</div> <div style="margin-left: 20px;">└ For a few seconds after turning ignition switch "OFF"</div>	0 - 1V
			<div style="border: 1px solid black; padding: 2px;">Ignition switch "OFF"</div> <div style="margin-left: 20px;">└ A few seconds passed after turning ignition switch "OFF"</div>	BATTERY VOLTAGE (11 - 14V)
10	B	ECCS ground	<div style="border: 1px solid black; padding: 2px;">Engine is running.</div> <div style="margin-left: 20px;">└ Idle speed</div>	Engine ground
19	B	ECCS ground	<div style="border: 1px solid black; padding: 2px;">Engine is running.</div> <div style="margin-left: 20px;">└ Idle speed</div>	Engine ground
38	B/R	Ignition switch	<div style="border: 1px solid black; padding: 2px;">Ignition switch "OFF"</div>	0V
			<div style="border: 1px solid black; padding: 2px;">Ignition switch "ON"</div>	BATTERY VOLTAGE (11 - 14V)
39	B	ECCS ground	<div style="border: 1px solid black; padding: 2px;">Engine is running.</div> <div style="margin-left: 20px;">└ Idle speed</div>	Engine ground
43	B	ECCS ground	<div style="border: 1px solid black; padding: 2px;">Engine is running.</div> <div style="margin-left: 20px;">└ Idle speed</div>	Engine ground (Probe this terminal with ⊖ tester probe when measuring.)
56	W/R	Power supply for ECM	<div style="border: 1px solid black; padding: 2px;">Ignition switch "ON"</div>	BATTERY VOLTAGE (11 - 14V)
61	W/R			
70	R	Power supply (Back-up)	<div style="border: 1px solid black; padding: 2px;">Ignition switch "OFF"</div>	BATTERY VOLTAGE (11 - 14V)
106	B	ECCS ground	<div style="border: 1px solid black; padding: 2px;">Engine is running.</div> <div style="margin-left: 20px;">└ Idle speed</div>	Engine ground
112	B	ECCS ground	<div style="border: 1px solid black; padding: 2px;">Engine is running.</div> <div style="margin-left: 20px;">└ Idle speed</div>	Engine ground
113	R	Current return	<div style="border: 1px solid black; padding: 2px;">Engine is running.</div> <div style="margin-left: 20px;">└ Idle speed</div>	BATTERY VOLTAGE (11 - 14V)
118	B	ECCS ground	<div style="border: 1px solid black; padding: 2px;">Engine is running.</div> <div style="margin-left: 20px;">└ Idle speed</div>	Engine ground

TROUBLE DIAGNOSIS FOR POWER SUPPLY

Main Power Supply and Ground Circuit (Cont'd)

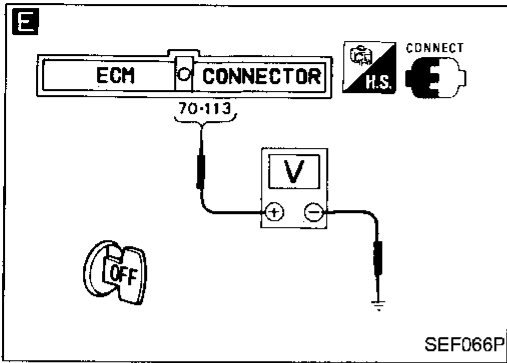
DIAGNOSTIC PROCEDURE



GI
MA
EM
LC
EC
FE
CL
MT
AT
PD
FA
RA
BR
ST
RS
BT
HA
EL
IDX

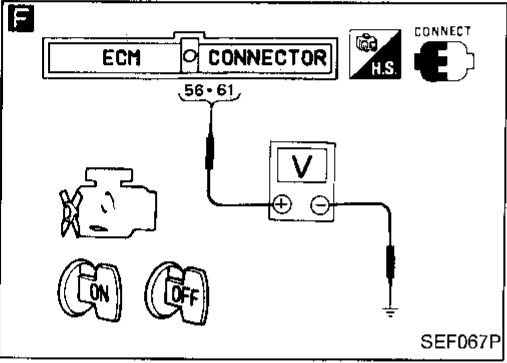
TROUBLE DIAGNOSIS FOR POWER SUPPLY

Main Power Supply and Ground Circuit (Cont'd)



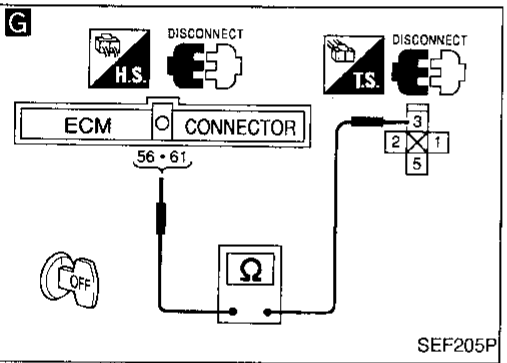
E
CHECK POWER SUPPLY-III.
 Check voltage between ECM terminals 70, 113 and ground with CONSULT or tester.
Voltage: Battery voltage

NG → Check the following.
 • Harness connectors F3, M53
 • Harness connectors M9, E109
 • Harness for open or short between ECM and 7.5A fuse
 If NG, repair harness or connectors.



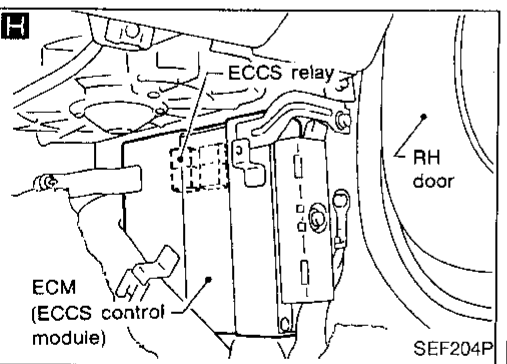
F
CHECK POWER SUPPLY-IV.
 1. Turn ignition switch "ON" and then "OFF".
 2. Check voltage between ECM terminals 56, 61 and ground with CONSULT or tester.
Voltage:
After turning ignition switch "OFF", battery voltage will exist for a few seconds, then drop to approximately 0V.

OK → Go to **K** "CHECK GROUND CIRCUIT" on next page.
 Case-1: Battery voltage does not exist.
 Case-2: Battery voltage exists for more than a few seconds.



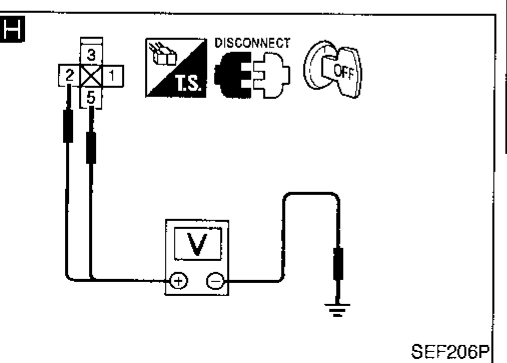
G
CHECK HARNESS CONTINUITY BETWEEN ECCS RELAY AND ECM.
 1. Disconnect ECM harness connector.
 2. Disconnect ECCS relay.
 3. Check harness continuity between ECM terminals 56, 61 and relay terminal 3.
Continuity should exist.
 If OK, check harness for short to ground and short to power.

Case-1 → Go to **J** "CHECK ECCS RELAY" on next page.
 Case-2 → Go to **J** "CHECK ECCS RELAY" on next page.
 NG → Repair harness or connectors.



H
CHECK VOLTAGE BETWEEN ECCS RELAY AND GROUND.
 Check voltage between relay terminals 2, 5 and ground with CONSULT or tester.
Voltage: Battery voltage

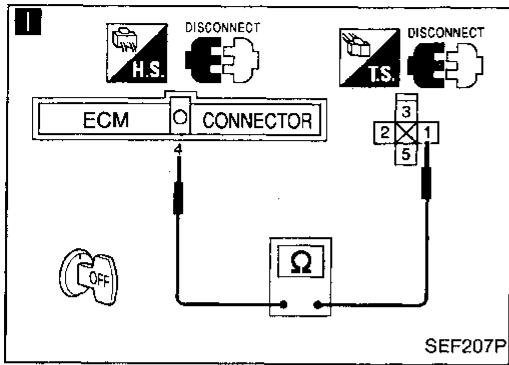
NG → Check the following.
 • Harness for open or short between ECCS relay and 7.5A fuse
 If NG, repair harness or connectors.



OK → **B**

TROUBLE DIAGNOSIS FOR POWER SUPPLY

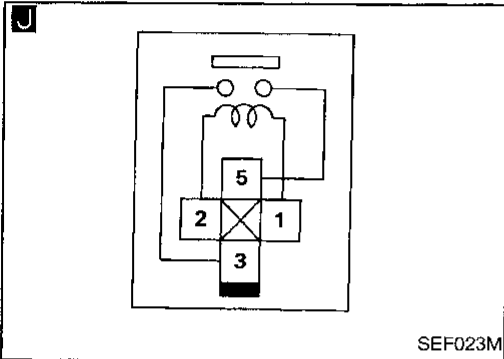
Main Power Supply and Ground Circuit (Cont'd)



I

CHECK OUTPUT SIGNAL CIRCUIT.
 Check harness continuity between ECM terminal ④ and relay terminal ①.
Continuity should exist.
 If OK, check harness for short to ground and short to power.

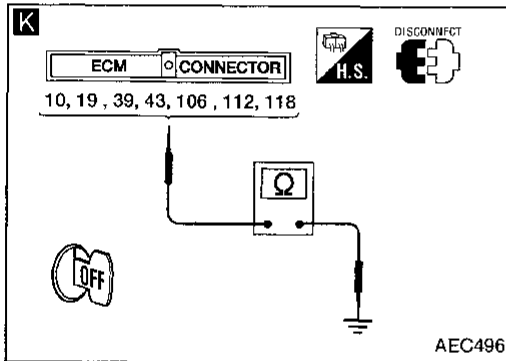
NG → Repair harness or connectors.



J

CHECK ECCS RELAY.
 1. Apply 12V direct current between relay terminals ① and ②.
 2. Check continuity between relay terminals ③ and ⑤.
12V (① - ②) applied:
Continuity exists.
No voltage applied:
No continuity

NG → Replace ECCS relay.



K

CHECK GROUND CIRCUIT.
 Check harness continuity between ECM terminals ⑩, ⑱, ⑳, ㉑, ⑩⑥, ⑪②, ⑪⑧ and engine ground.
Continuity should exist.
 If OK, check harness for short.

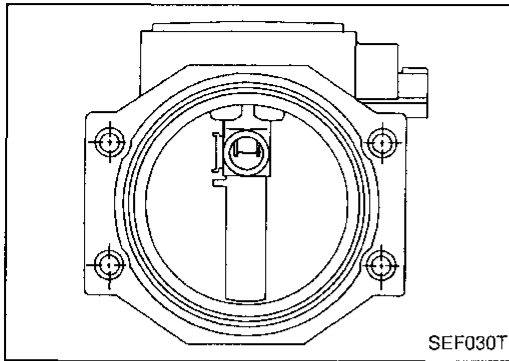
NG → Repair harness or connectors.

OK → Perform "TROUBLE DIAGNOSIS FOR INTERMITTENT INCIDENT", EC-96.

INSPECTION END

GI
 MA
 EM
 LC
EC
 FE
 CL
 MT
 AT
 PD
 FA
 RA
 BR
 ST
 RS
 BT
 HA
 EL
 IDX

TROUBLE DIAGNOSIS FOR DTC P0100



Mass Air Flow Sensor (MAFS)

COMPONENT DESCRIPTION

The mass air flow sensor is placed in the stream of intake air. It measures the intake flow rate by measuring a part of the entire intake flow. It consists of a hot wire that is supplied with electric current from the ECM. The temperature of the hot wire is controlled by the ECM a certain amount. The heat generated by the hot wire is reduced as the intake air flows around it. The more air, the greater the heat loss.

Therefore, the ECM must supply more electric current to maintain the temperature of the hot wire as air flow increases. The ECM detects the air flow by means of this current change.

CONSULT REFERENCE VALUE IN DATA MONITOR MODE

Specification data are reference values.

MONITOR ITEM	CONDITION		SPECIFICATION
MAS AIR/FL SE	<ul style="list-style-type: none"> ● Engine: After warming up ● Air conditioner switch: "OFF" ● Shift lever: "N" ● No-load 	Idle	1.3 - 1.7V
		2,500 rpm	1.7 - 2.1V
CAL/LD VALUE	<ul style="list-style-type: none"> ● Engine: After warming up ● Air conditioner switch: "OFF" ● Shift lever: "N" ● No-load 	Idle	10.0 - 24.0%
		2,500 rpm	11.0 - 25.0%
MASS AIRFLOW	<ul style="list-style-type: none"> ● Engine: After warming up ● Air conditioner switch: "OFF" ● Shift lever: "N" ● No-load 	Idle	1.5 - 4.5 g-m/s
		2,500 rpm	6.0 - 14.0 g-m/s

ECM TERMINALS AND REFERENCE VALUE

Specification data are reference values and are measured between each terminal and Ⓒ (ECCS ground).

TER-MINAL NO.	WIRE COLOR	ITEM	CONDITION	DATA (DC Voltage)
47	W	Mass air flow sensor	Engine is running. (Warm-up condition) └ Idle speed	1.3 - 1.7V
			Engine is running. (Warm-up condition) └ Engine speed is 2,500 rpm.	1.7 - 2.1V
48	B	Mass air flow sensor ground	Engine is running. (Warm-up condition) └ Idle speed	Approximately 0V

TROUBLE DIAGNOSIS FOR DTC P0100

Mass Air Flow Sensor (MAFS) (Cont'd)

ON BOARD DIAGNOSIS LOGIC

Diagnostic Trouble Code No.	Malfunction is detected when ...	Check Items (Possible Cause)
P0100 0102	A) An excessively high voltage from the sensor is sent to ECM when engine is not running.	<ul style="list-style-type: none"> ● Harness or connectors (The sensor circuit is open or shorted.) ● Mass air flow sensor
	C) A high voltage from the sensor is sent to ECM under light load driving condition.	
	B) An excessively low voltage from the sensor is sent to ECM* when engine is running.	<ul style="list-style-type: none"> ● Harness or connectors (The sensor circuit is open or shorted.) ● Intake air leaks ● Mass air flow sensor
	D) A low voltage from the sensor is sent to ECM under heavy load driving condition.	

*: When this malfunction is detected, the ECM enters fail-safe mode and the MIL lights up.

Detected items	Engine operating condition in fail-safe mode
Mass air flow sensor circuit	Engine speed will not rise more than 2,400 rpm due to the fuel cut.

DIAGNOSTIC TROUBLE CODE CONFIRMATION PROCEDURE

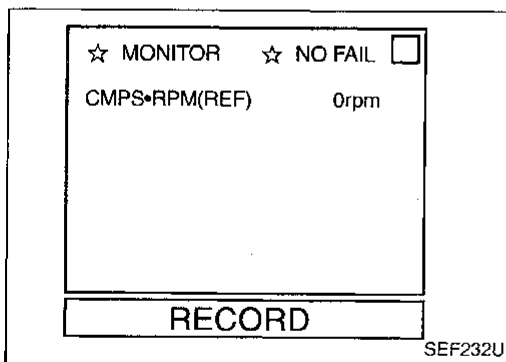
Perform "Procedure for malfunction A" first. If the 1st trip DTC cannot be confirmed, perform "Procedure for malfunction B". If there is no problem on "Procedure for malfunction B", perform "Procedure for malfunction C". If there is no problem on "Procedure for malfunction C", perform "Procedure for malfunction D".

CAUTION:

Always drive vehicle at a safe speed.

NOTE:

If "DIAGNOSTIC TROUBLE CODE CONFIRMATION PROCEDURE" has been previously conducted, always turn ignition switch "OFF" and wait at least 5 seconds before conducting the next test.



Procedure for malfunction A

- 1) Turn ignition switch "ON".
 - 2) Select "DATA MONITOR" mode with CONSULT.
 - 3) Wait at least 6 seconds.
- OR
- 1) Turn ignition switch "ON", and wait at least 6 seconds.
 - 2) Select "MODE 7" with GST.
- OR
- 1) Turn ignition switch "ON", and wait at least 6 seconds.
 - 2) Turn ignition switch "OFF", wait at least 5 seconds and then turn "ON".
 - 3) Perform "Diagnostic Test Mode II (Self-diagnostic results)" with ECM.

TROUBLE DIAGNOSIS FOR DTC P0100

Mass Air Flow Sensor (MAFS) (Cont'd)

Procedure for malfunction B

- 1) Turn ignition switch "ON".
- 2) Select "DATA MONITOR" mode with CONSULT.
- 3) Start engine and wait 5 seconds at most.

OR

- 1) Turn ignition switch "ON".
- 2) Start engine and wait 5 seconds at most.
- 3) Select "MODE 7" with GST.

OR

- 1) Turn ignition switch "ON".
- 2) Start engine and wait 5 seconds at most.
- 3) Turn ignition switch "OFF", wait at least 5 seconds and then turn "ON".
- 4) Perform "Diagnostic Test Mode II (Self-diagnostic results)" with ECM.

NOTE:

If 1st trip DTC is confirmed after more than 5 seconds, there may be malfunction C.

Procedure for malfunction C

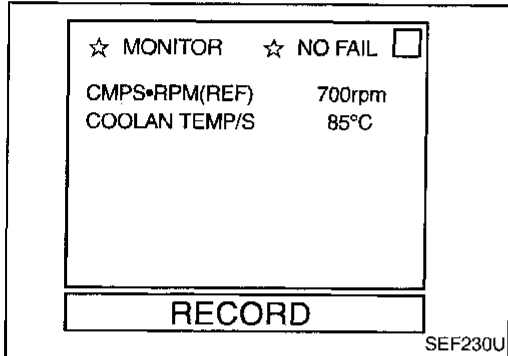
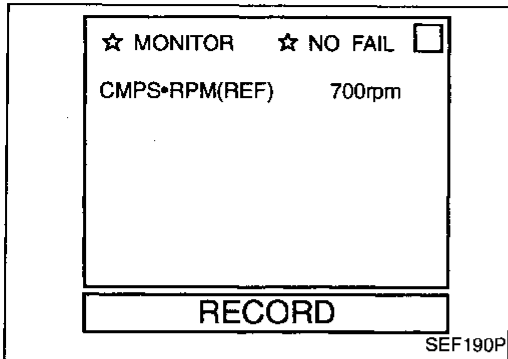
- 1) Turn ignition switch "ON".
- 2) Select "DATA MONITOR" mode with CONSULT.
- 3) Start engine and warm it up to normal operating temperature.
- 4) Run engine for at least 10 seconds at idle speed.

OR

- 1) Start engine and warm it up to normal operating temperature.
- 2) Run engine for at least 10 seconds at idle speed.
- 3) Select "MODE 7" with GST.

OR

- 1) Start engine and warm it up to normal operating temperature.
- 2) Run engine for at least 10 seconds at idle speed.
- 3) Turn ignition switch "OFF", wait at least 5 seconds and then turn "ON".
- 4) Perform "Diagnostic Test Mode II (Self-diagnostic results)" with ECM.



TROUBLE DIAGNOSIS FOR DTC P0100

Mass Air Flow Sensor (MAFS) (Cont'd)

Procedure for malfunction D



- 1) Turn ignition switch "ON".
- 2) Start engine and warm it up to normal operating temperature.

If engine cannot be started, go to "DIAGNOSTIC PROCEDURE", EC-107.

- 3) Select "DATA MONITOR" mode with CONSULT.
- 4) Check the voltage of MAS AIR/FL SE with "DATA MONITOR".
- 5) Increases engine speed to about 4,000 rpm.
- 6) Monitor the linear voltage rise in response to engine speed increases.

If NG, go to "DIAGNOSTIC PROCEDURE", EC-107.

If OK, go to following step.

- 7) Maintain the following conditions for at least 10 consecutive seconds.

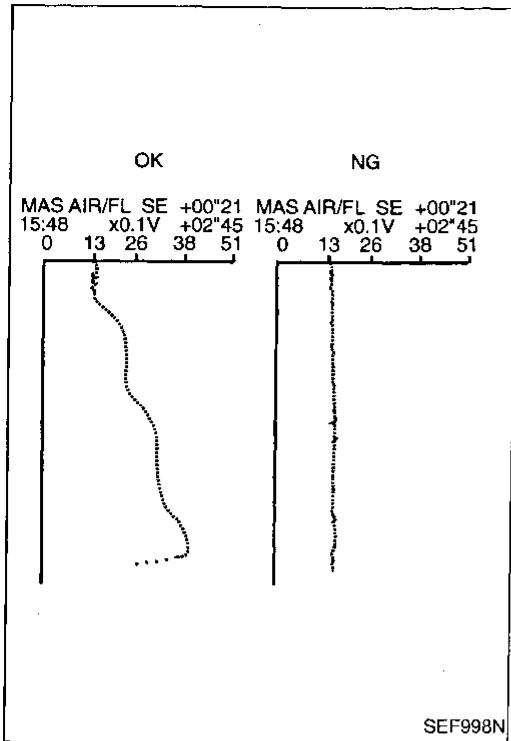
CMPS-RPM (REF): More than 2,000 rpm

THRTL POS SEN: More than 3V

Selector lever: Suitable position

Driving location: Driving vehicle uphill (Increased engine load) will help maintain the driving conditions required for this test.

OR

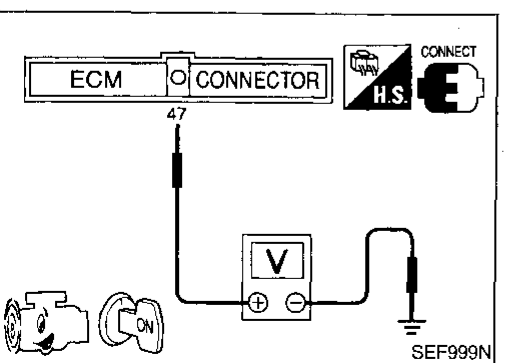


☆ MONITOR	☆ NO FAIL	<input type="checkbox"/>
CMPS-RPM(REF)	3000rpm	
VHCL SPEED SE	70km/h	
THRTL POS SEN	3.2V	
RECORD		

SEF231U

CALC LOAD	20%
COOLANT TEMP	95°C
SHORT FT #1	2%
LONG FT #1	0%
SHORT FT #2	4%
LONG FT #2	0%
ENGINE SPD	2637RPM
VEHICLE SPD	0MPH
IGN ADVANCE	41.0°
INTAKE AIR	41°C
MAF	14.1gm/sec
THROTTLE POS	3%

SEF534P



OVERALL FUNCTION CHECK

Use this procedure to check the overall function of the mass air flow sensor circuit. During this check, a 1st trip DTC might not be confirmed.

Procedure for malfunction D



- 1) Turn ignition switch "ON".
- 2) Start engine and warm it up to normal operating temperature.
- 3) Select "MODE 1" with GST.
- 4) Check the mass air flow with "MODE 1".
- 5) Check for linear mass air flow rise in response to increases to about 4,000 rpm in engine speed.

OR

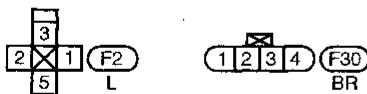
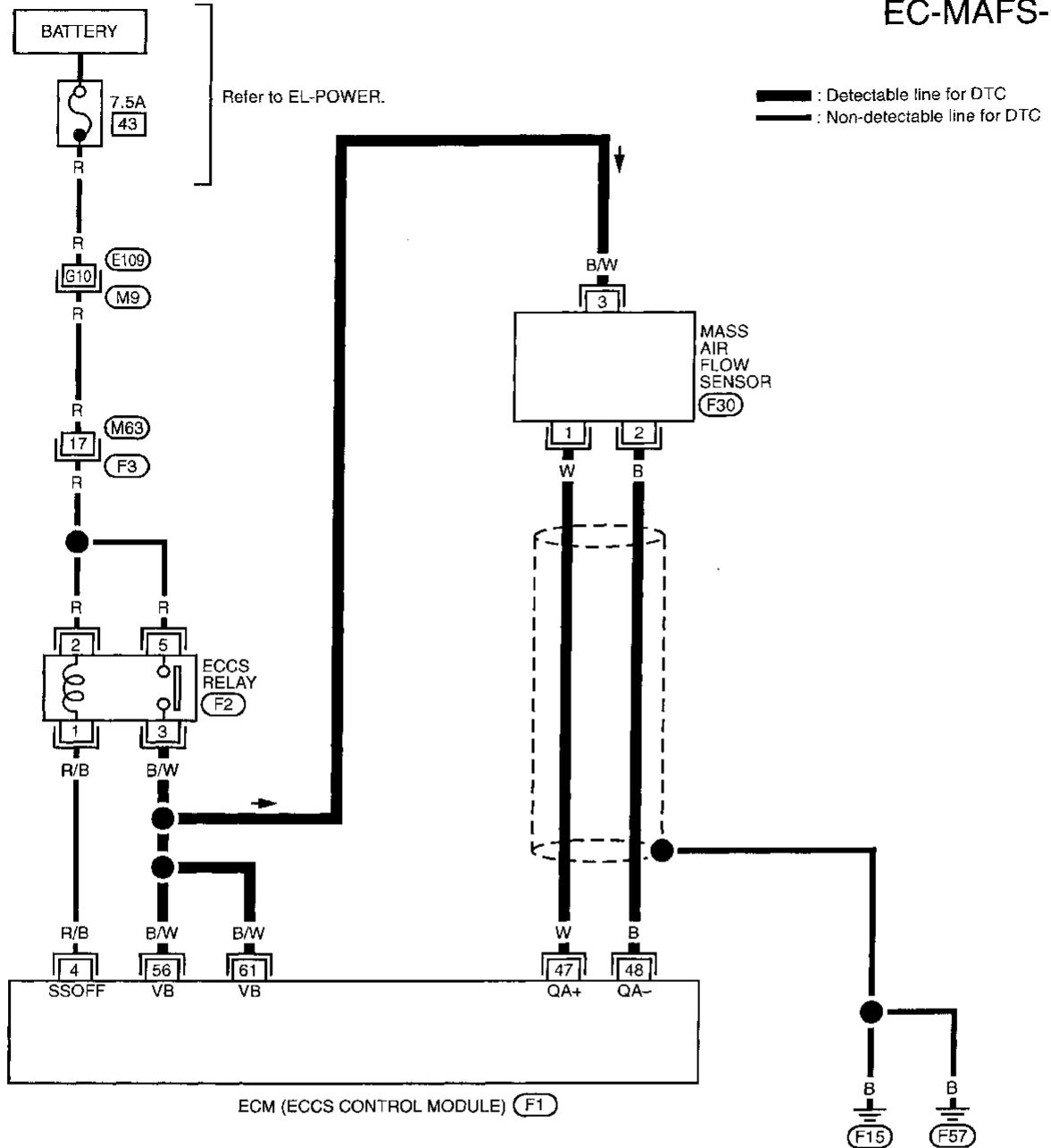


- 1) Turn ignition switch "ON".
- 2) Start engine and warm it up to normal operating temperature.
- 3) Check the voltage between ECM terminal ④7 and ground.
- 4) Check for linear voltage rise in response to increases to about 4,000 rpm in engine speed.

TROUBLE DIAGNOSIS FOR DTC P0100

Mass Air Flow Sensor (MAFS) (Cont'd)

EC-MAFS-01



Refer to last page (Foldout page).

- (E109) . (M9)
- (M63) . (F3)

101	102	103	104	105	106	1	2	3	4	20	21	22	23	38	39	40	41	53	54	55	56											
107	108	109	110	111	112	5	6	7	8	9	10	24	25	26	27	28	42	43	44	45	46	47	48	49	50	51	52	66	67	68	69	70
113	114	115	116	117	118	11	12	13	14	15	16	17	18	34	35	36	37	44	45	46	47	48	49	50	51	52	66	67	68	69	70	

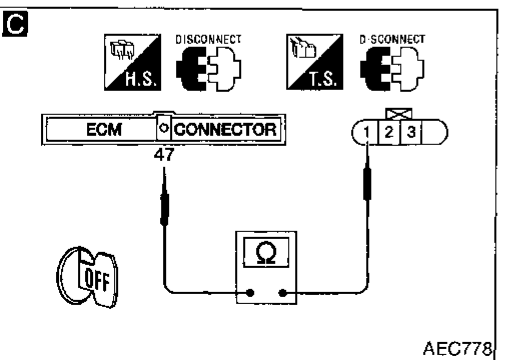
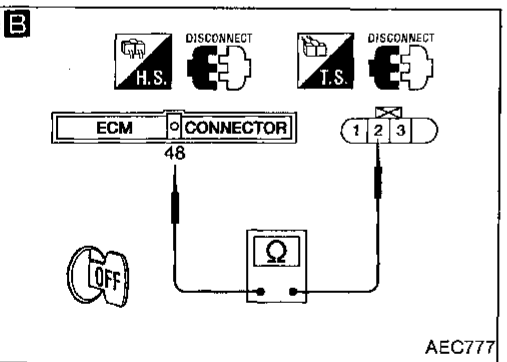
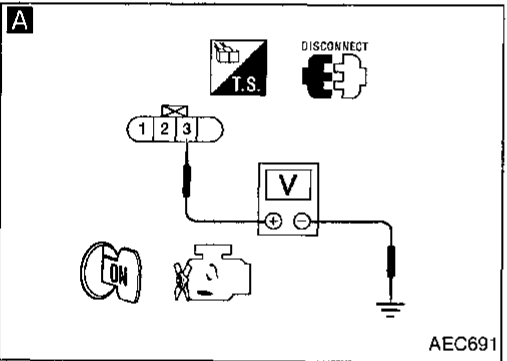
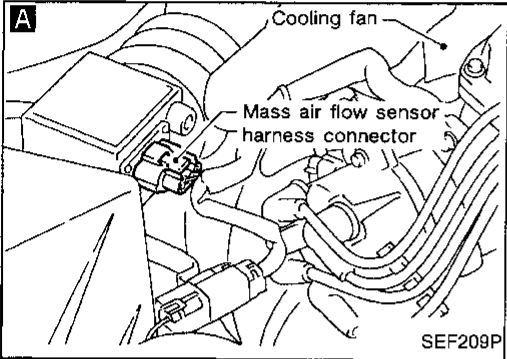
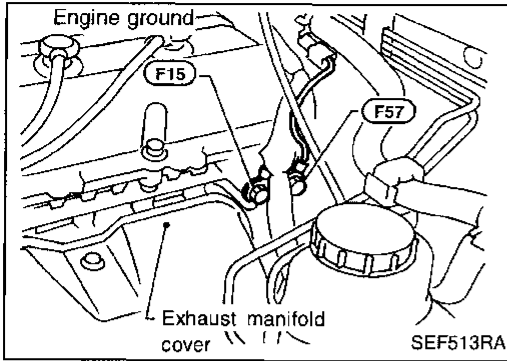
TROUBLE DIAGNOSIS FOR DTC P0100

Mass Air Flow Sensor (MAFS) (Cont'd)

DIAGNOSTIC PROCEDURE

If the trouble is duplicated after "Procedure for malfunction A or C", perform "Procedure A" below. If the trouble is duplicated after "Procedure for malfunction B or D", perform "Procedure B" on next page.

Procedure A



INSPECTION START

1. Turn ignition switch "OFF".
2. Loosen and retighten engine ground screws.

A
CHECK POWER SUPPLY.
1. Disconnect mass air flow sensor harness connector.
2. Turn ignition switch "ON".
3. Check voltage between terminal ③ and ground with CONSULT or tester.
Voltage: Battery voltage

NG

Check the following.

- Harness connectors (F3), (M63)
- Harness connectors (M9), (E109)
- Harness for open or short between ECCS relay and mass air flow sensor
- Harness for open or short between mass air flow sensor and ECM

If NG, repair harness or connectors.

OK

B
CHECK GROUND CIRCUIT.
1. Turn ignition switch "OFF".
2. Disconnect ECM harness connector.
3. Check harness continuity between terminal ② and ECM terminal ④.
Continuity should exist.
If OK, check harness for short to ground and short to power.

NG

Repair harness or connectors.

OK

C
CHECK INPUT SIGNAL CIRCUIT.
Check harness continuity between terminal ① and ECM terminal ⑦.
Continuity should exist.
If OK, check harness for short.

NG

Repair harness or connectors.

OK

Ⓐ

GI

MA

EM

LC

EC

FE

CL

MT

AT

PD

FA

RA

BR

ST

RS

BT

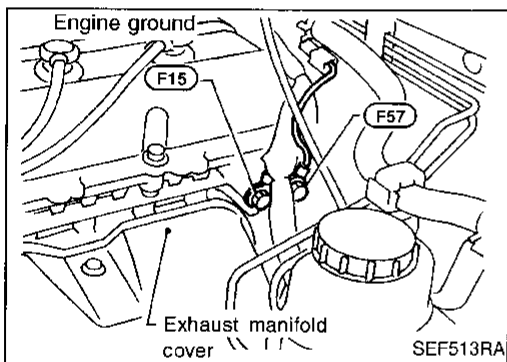
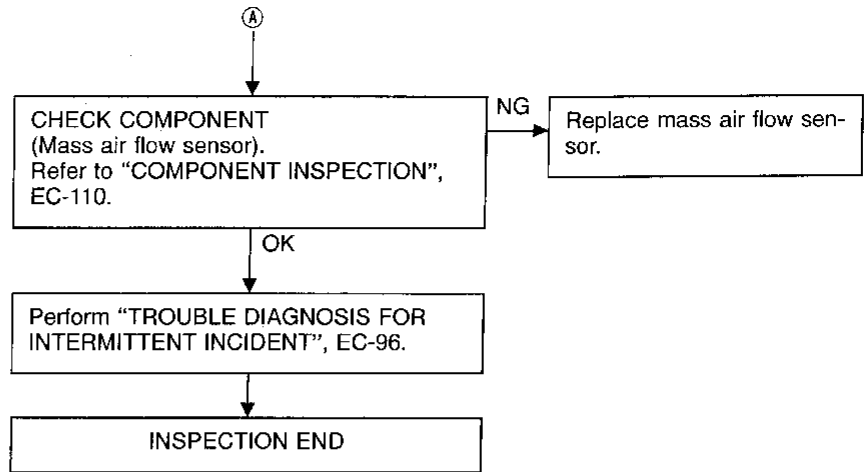
HA

EL

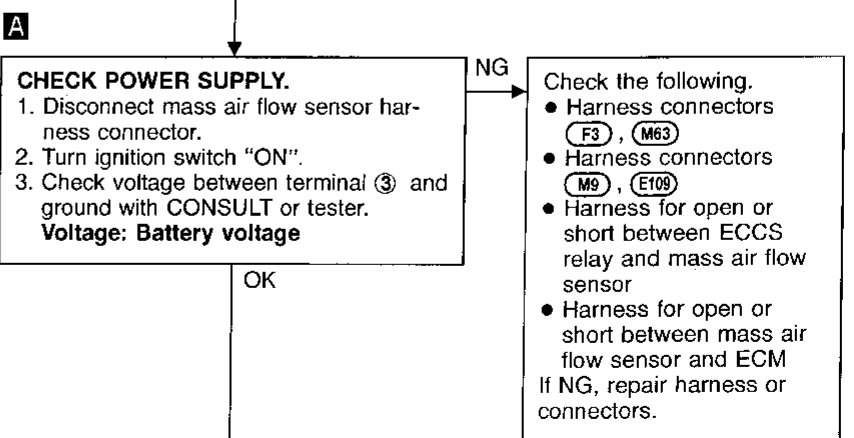
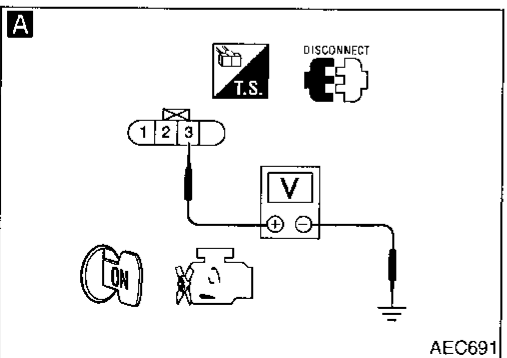
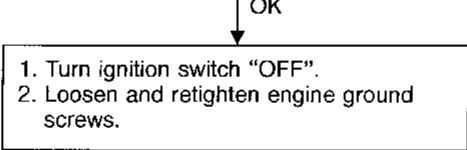
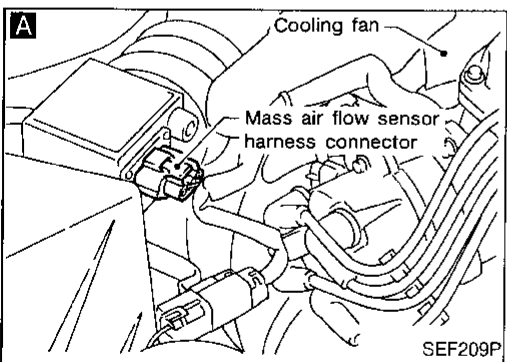
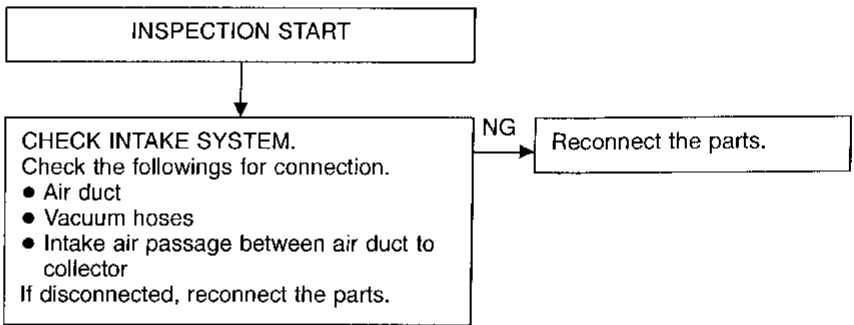
IDX

TROUBLE DIAGNOSIS FOR DTC P0100

Mass Air Flow Sensor (MAFS) (Cont'd)

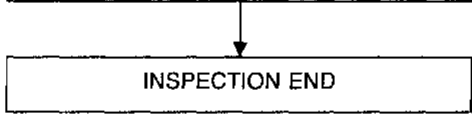
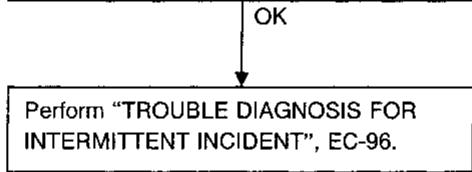
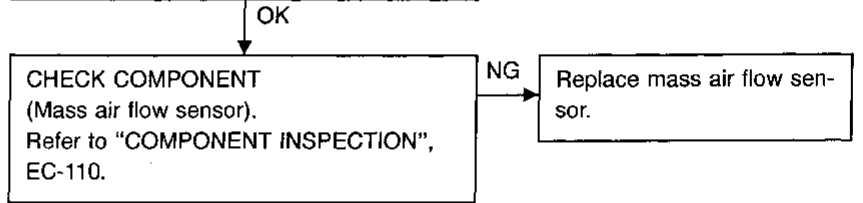
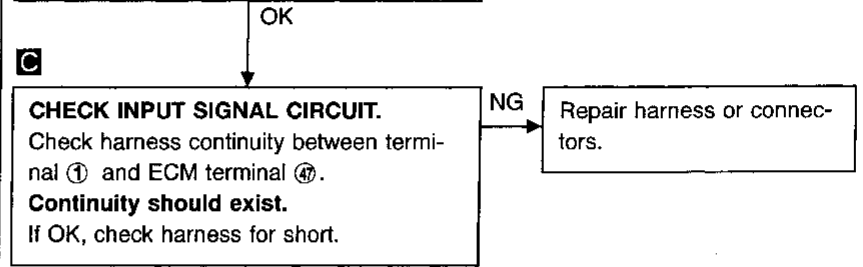
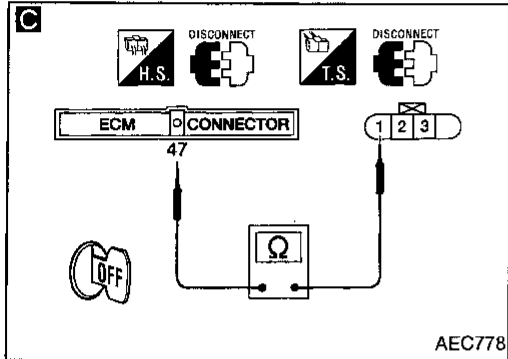
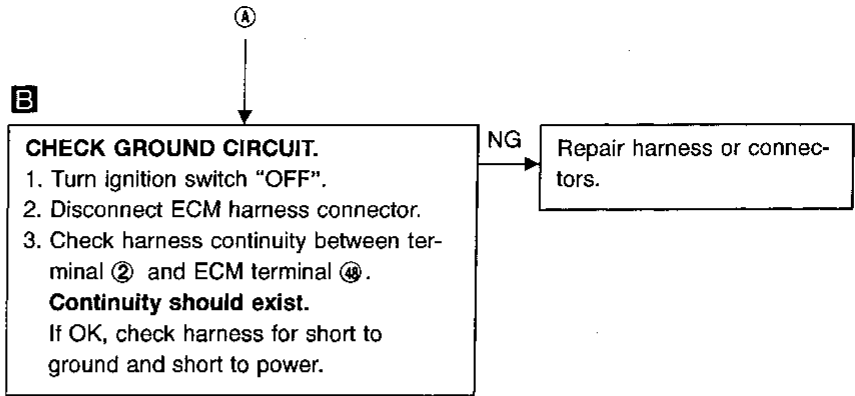
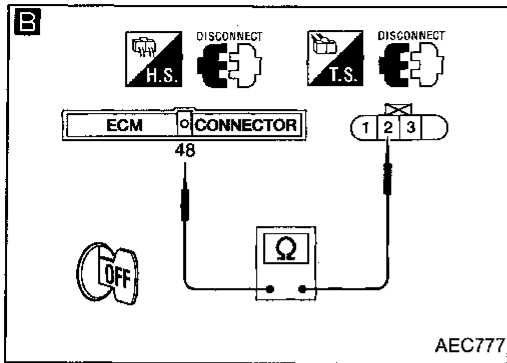


Procedure B



TROUBLE DIAGNOSIS FOR DTC P0100

Mass Air Flow Sensor (MAFS) (Cont'd)



CI
MA
EM
LC
EC
FE
CL
MT
AT
PD
FA
RA
BR
ST
RS
BT
HA
EL
IDX

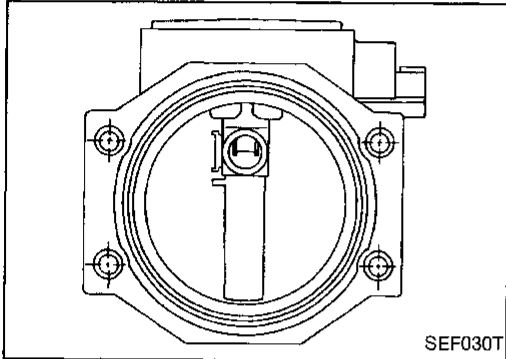
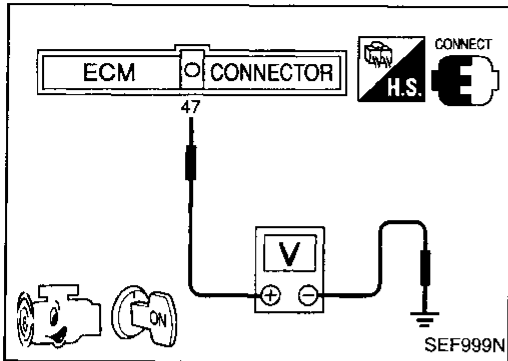
TROUBLE DIAGNOSIS FOR DTC P0100

Mass Air Flow Sensor (MAFS) (Cont'd)

COMPONENT INSPECTION

Mass air flow sensor

1. Turn ignition switch "ON".
2. Start engine and warm it up to normal operating temperature.
3. Check voltage between ECM terminals ④ and ground.

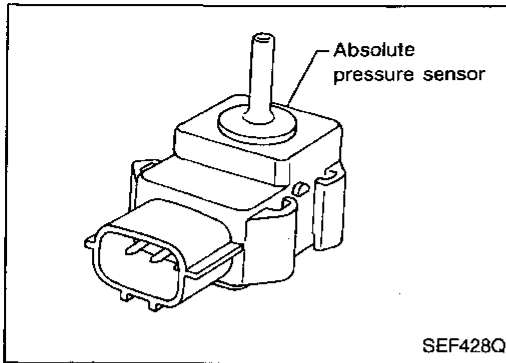


Conditions	Voltage V
Ignition switch "ON" (Engine stopped.)	Less than 1.0
Idle (Engine is warmed-up to normal operating temperature.)	1.3 - 1.7
2,500 rpm (Engine is warmed-up to normal operating temperature.)	1.7 - 2.1
Idle to about 4,000 rpm*	1.3 - 1.7 to Approx. 4.0

*: Check for linear voltage rise in response to increases to about 4,000 rpm in engine speed.

4. If the voltage is out of specification, disconnect mass air flow sensor harness connector and connect it again. Repeat above check.
5. If NG, remove mass air flow sensor from air duct. Check hot wire for damage or dust.

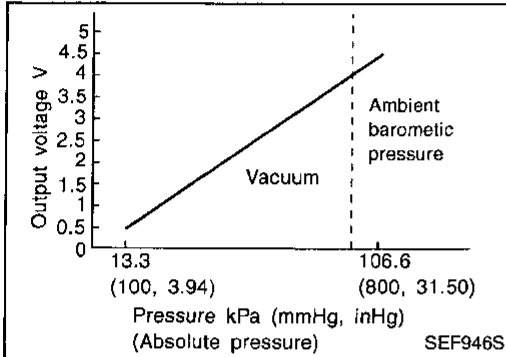
TROUBLE DIAGNOSIS FOR DTC P0105



Absolute Pressure Sensor

COMPONENT DESCRIPTION

The absolute pressure sensor is connected to the MAP/BARO switch solenoid valve by a hose. The sensor detects ambient barometric pressure and intake manifold pressure and sends the voltage signal to the ECM. As the pressure increases, the voltage rises.



ON BOARD DIAGNOSIS LOGIC

Diagnostic Trouble Code No.	Malfunction is detected when	Check Items (Possible Cause)
P0105 0803	A) An excessively low or high voltage from the sensor is sent to ECM.	<ul style="list-style-type: none"> • Harness or connectors (Absolute pressure sensor circuit is open or shorted.) • Absolute pressure sensor
	B) A high voltage from the sensor is sent to ECM under light load driving conditions.	<ul style="list-style-type: none"> • Hoses (Hoses between the intake manifold and absolute pressure sensor are disconnected or clogged.) • Intake air leaks • MAP/BARO switch solenoid valve • Absolute pressure sensor
	C) A low voltage from the sensor is sent to ECM under heavy load driving conditions.	<ul style="list-style-type: none"> • Absolute pressure sensor

DIAGNOSTIC TROUBLE CODE CONFIRMATION PROCEDURE

Perform "Procedure for malfunction A" first. If the 1st trip DTC cannot be confirmed, perform "Procedure for malfunction B". If the 1st trip DTC is not confirmed on "Procedure for malfunction B", perform "Procedure for malfunction C".

TROUBLE DIAGNOSIS FOR DTC P0105

Absolute Pressure Sensor (Cont'd)

Procedure for malfunction A

NOTE:

If "DIAGNOSTIC TROUBLE CODE CONFIRMATION PROCEDURE" has been previously conducted, always turn ignition switch "OFF" and wait at least 5 seconds before conducting the next test.



- 1) Turn ignition switch "ON".
- 2) Select "DATA MONITOR" mode with CONSULT.
- 3) Wait at least 6 seconds.

OR

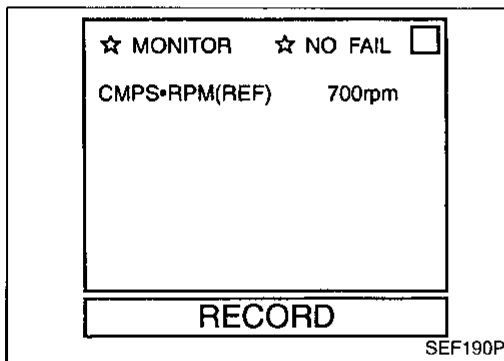
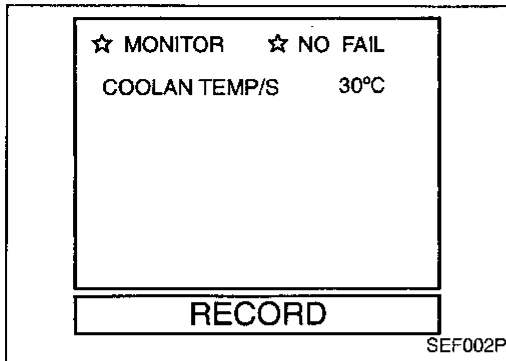


- 1) Turn ignition switch "ON" and wait at least 6 seconds.
- 2) Select "MODE 7" with GST.

OR



- 1) Turn ignition switch "ON" and wait at least 6 seconds.
- 2) Turn ignition switch "OFF", wait at least 5 seconds and then turn "ON".
- 3) Perform "Diagnostic Test Mode II (Self-diagnostic results)" with ECM.



Procedure for malfunction B

NOTE:

If "DIAGNOSTIC TROUBLE CODE CONFIRMATION PROCEDURE" has been previously conducted, always turn ignition switch "OFF" and wait at least 5 seconds before conducting the next test.



- 1) Start engine and warm it up to normal operating temperature.
- 2) Turn ignition switch "OFF" and wait at least 5 seconds.
- 3) Turn ignition switch "ON" and select "DATA MONITOR" mode with CONSULT.
- 4) Start engine and let it idle.
- 5) Wait at least 15 seconds.

OR



- 1) Start engine and warm it up to normal operating temperature.
- 2) Turn ignition switch "OFF" and wait at least 5 seconds.
- 3) Start engine.
- 4) Let engine idle and wait at least 15 seconds.
- 5) Select "MODE 7" with GST.

OR



- 1) Start engine and warm it up to normal operating temperature.
- 2) Turn ignition switch "OFF" and wait at least 5 seconds.
- 3) Start engine.
- 4) Let engine idle and wait at least 15 seconds.
- 5) Turn ignition switch "OFF", wait at least 5 seconds and then turn "ON".
- 6) Perform "Diagnostic Test Mode II (Self-diagnostic results)" with ECM.

TROUBLE DIAGNOSIS FOR DTC P0105

Absolute Pressure Sensor (Cont'd)

Procedure for malfunction C

CAUTION:

Always drive vehicle at a safe speed.

NOTE:

If "DIAGNOSTIC TROUBLE CODE CONFIRMATION PROCEDURE" has been previously conducted, always turn ignition switch "OFF" and wait at least 5 seconds before conducting the next test.



- 1) Turn ignition switch "ON".
- 2) Select "DATA MONITOR" mode with CONSULT.

The voltage of "ABSOL PRES/SE" should be more than 1.74 [V].

If the check result is NG, go to "DIAGNOSTIC PROCEDURE", EC-115.

If the check result is OK, go to following step.

- 3) Start engine and warm it up to normal operating temperature.

- 4) Turn ignition switch "OFF" and wait at least 5 seconds.

- 5) Start engine and let it idle for at least 13 seconds.

- 6) Select "DATA MONITOR" mode with CONSULT.

- 7) Drive the vehicle at least 3 consecutive seconds under the following conditions,

B/FUEL SCHDL: More than 4.5 ms

CMPS-RPM (REF): 3,000 - 4,800 rpm

Selector lever: Suitable position

Driving pattern: Driving vehicle uphill (increased engine load) will help maintain the driving conditions required for this test.

OR

OVERALL FUNCTION CHECK

Use this procedure to check the overall function of the front heated oxygen sensor circuit. During this check, a 1st trip DTC might not be confirmed.

Procedure for malfunction C



- 1) Turn ignition switch "ON".
- 2) Select "MAP" in "MODE 1" with GST.
- 3) Make sure that the pressure of "MAP" is more than 46 kPa (0.47 kg/cm², 6.7 psi).

OR



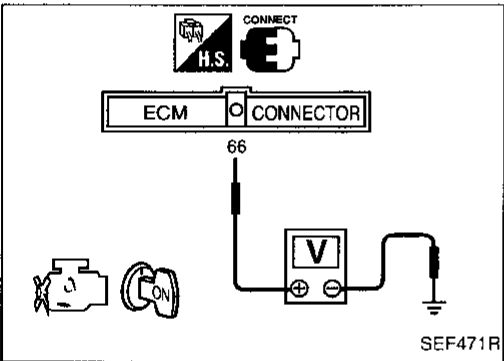
- 1) Turn ignition switch "ON".
- 2) Make sure that the voltage between ECM terminal 66 and ground is more than 1.74 [V].

☆ MONITOR	☆ NO FAIL	<input type="checkbox"/>
CMPS-RPM(REF)	4000rpm	
VHCL SPEED SE	70km/h	
B/FUEL SCHDL	4.8ms	
ABSOL PRES/SE	4.4V	
RECORD		

SEF365U

ENGINE SPD	0RPM
COOLANT TEMP	69°C
VEHICLE SPD	0MPH
IGN ADVANCE	3.0°
CALC LOAD	0.0%
MAP	101KPaA
MAF	0.25gm/s
THROTTLE POS	0.0%
INTAKE AIR	27°C
FUEL SYS #1	OL
FUEL SYS #2	UNUSED
SHORT FT #1	0.0%
LONG FT #1	0.0%
O2S B1 S1	0.000V
O2FT B1 S1	0.0%
O2S B1 S2	0.000V

SEF518R

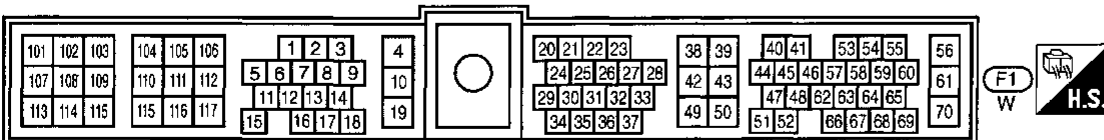
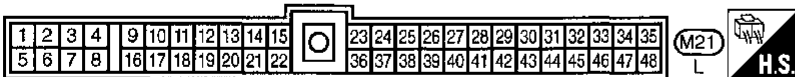
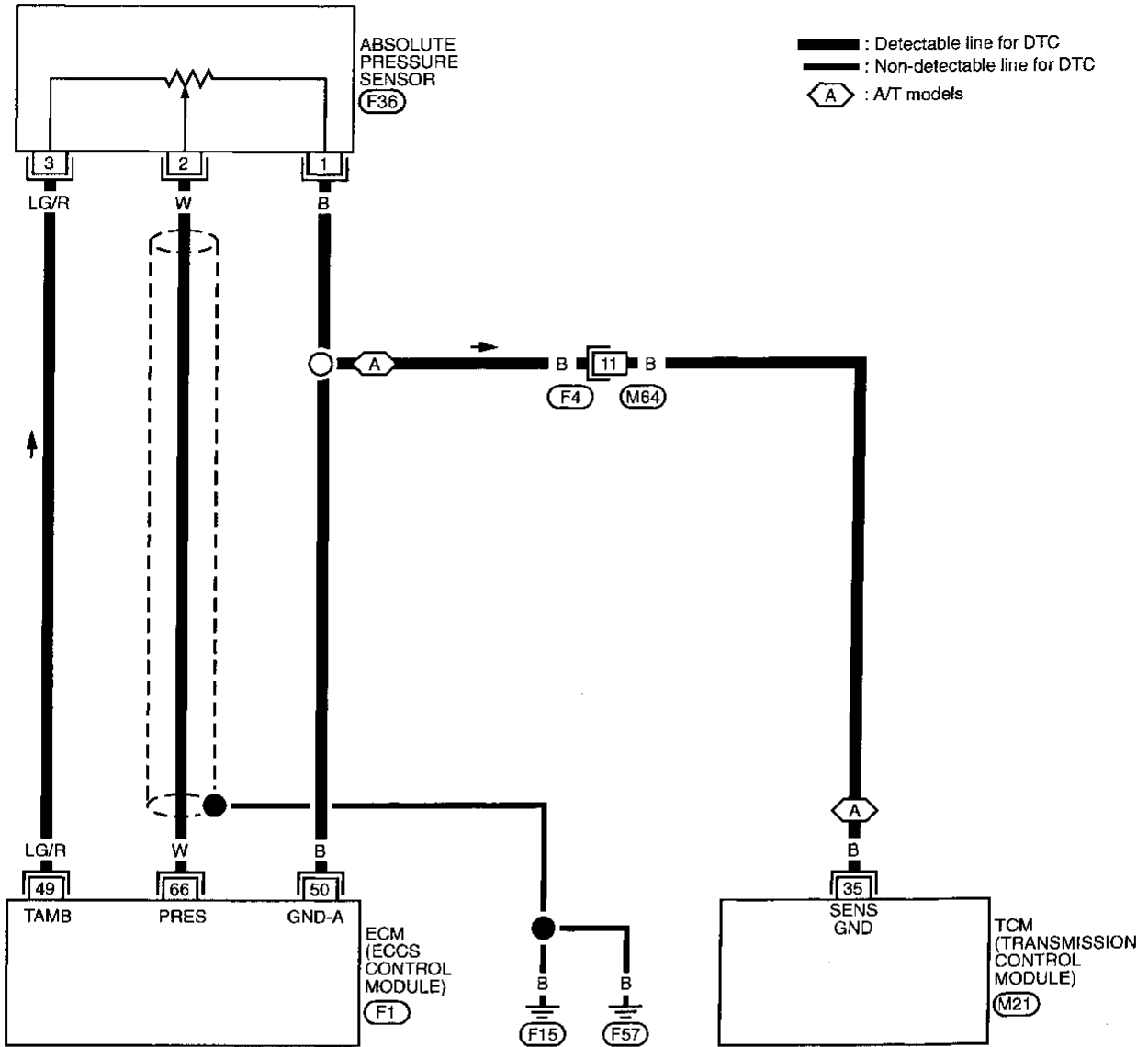


GI
MA
EM
LC
EC
FE
CL
MT
AT
PD
FA
RA
BR
ST
RS
BT
HA
EL
IDX

TROUBLE DIAGNOSIS FOR DTC P0105

Absolute Pressure Sensor (Cont'd)

EC-AP/SEN-01



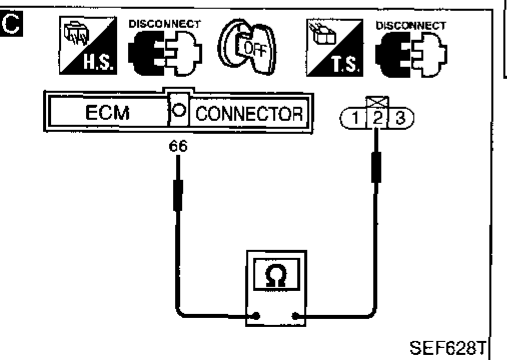
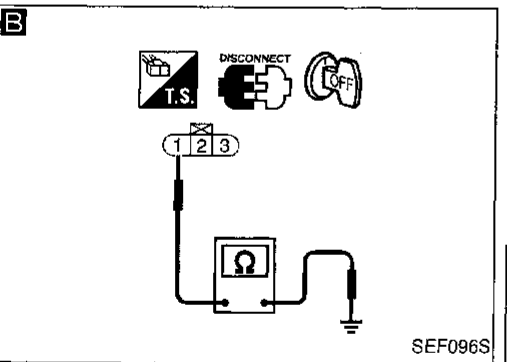
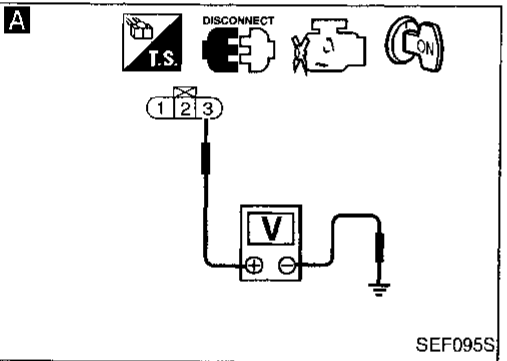
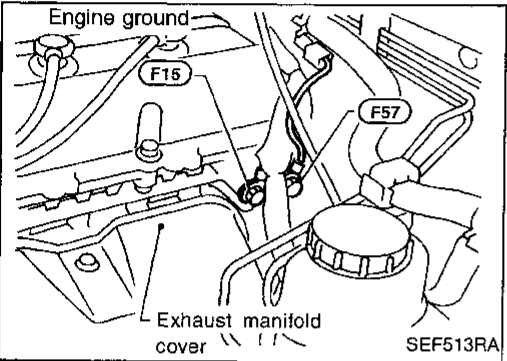
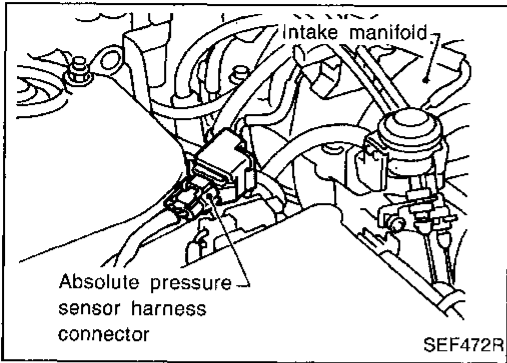
TROUBLE DIAGNOSIS FOR DTC P0105

Absolute Pressure Sensor (Cont'd)

DIAGNOSTIC PROCEDURE

If the trouble is duplicated after "Procedure for malfunction A or C", perform "Procedure A" below. If the trouble is duplicated after "Procedure for malfunction B", perform "Procedure B" on next page.

Procedure A



INSPECTION START

1. Turn ignition switch "OFF".
2. Loosen and retighten engine ground screws. Then retest.

Trouble is not fixed.

A

CHECK POWER SUPPLY.

1. Turn ignition switch "OFF".
2. Disconnect absolute pressure sensor harness connector.
3. Check sensor connector for water. **Water should not exist.** If OK, go to step 4. If NG, repair or replace harness connector.
4. Turn ignition switch "ON".
5. Check voltage between terminal ③ and engine ground with CONSULT or tester. **Voltage: Approximately 5V**

NG

Check the following.

- Harness for open or short between absolute pressure sensor and TCM
- Harness for open or short between ECM and absolute pressure sensor

If NG, repair harness or connectors.

OK

B

CHECK GROUND CIRCUIT.

1. Turn ignition switch "OFF".
2. Check harness continuity between terminal ① and engine ground. **Continuity should exist.** If OK, check harness for short to ground and short to power.

NG

Check the following.

- Harness for open or short between ECM and absolute pressure sensor
- Harness connectors (F4), (M64)
- Harness for open or short between TCM and absolute pressure sensor

If NG, repair open circuit or short to ground or short to power in harness or connectors.

OK

C

CHECK INPUT SIGNAL CIRCUIT.

1. Disconnect ECM harness connector.
2. Check harness continuity between ECM terminal ⑥ and terminal ②. **Continuity should exist.** If OK, check harness for short to ground and short to power.

NG

Repair harness or connectors.

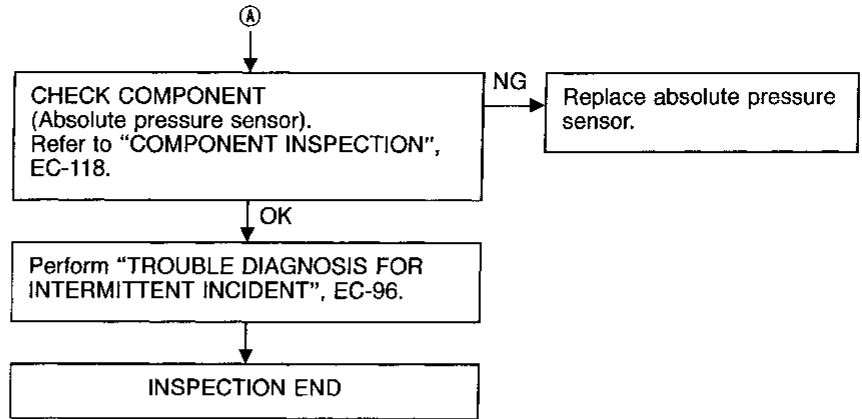
OK

①

GI
MA
EM
LC
EC
FE
CL
MT
AT
PD
FA
RA
BR
ST
RS
BT
HA
EL
IDX

TROUBLE DIAGNOSIS FOR DTC P0105

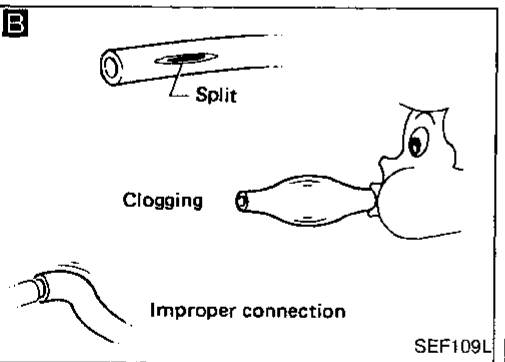
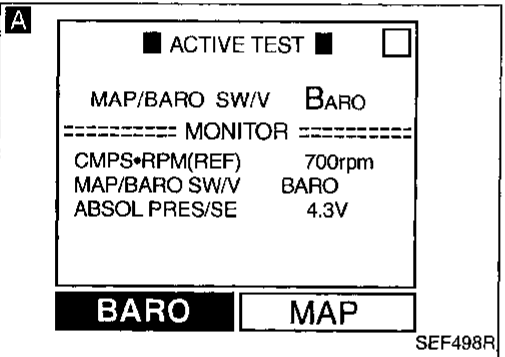
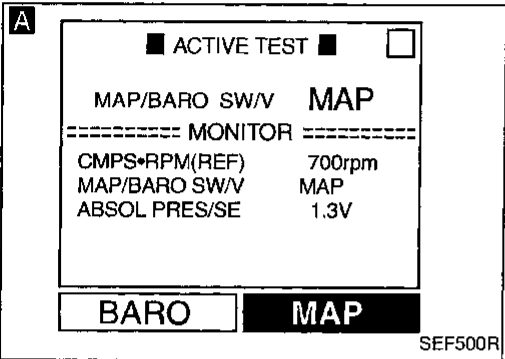
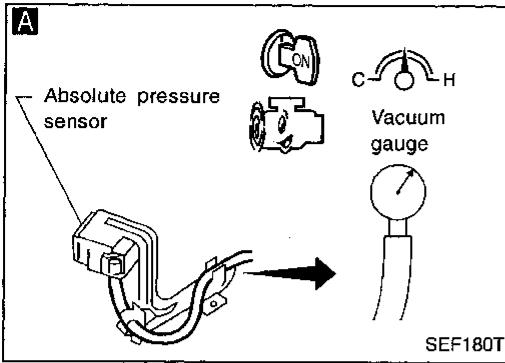
Absolute Pressure Sensor (Cont'd)



TROUBLE DIAGNOSIS FOR DTC P0105

Absolute Pressure Sensor (Cont'd)

Procedure B



INSPECTION START

A
CHECK VACUUM SOURCE TO ABSOLUTE PRESSURE SENSOR.
 1. Start engine and warm it up to normal operating temperature.
 2. Turn ignition switch "OFF".
 3. Connect MAP/BARO switch solenoid valve and absolute pressure sensor with a rubber tube that has vacuum gauge.
 4. Turn ignition switch "ON".
 5. Select "MAP/BARO SW/V" in "ACTIVE TEST" mode with CONSULT.
 6. Start engine and let it idle.
 7. Touch "MAP" and "BARO" alternately and check for vacuum.

MAP/BARO SW/V	Vacuum
BARO	Should not exist
MAP	Should exist

OR
 4. Turn ignition switch "ON".
 5. Start engine and let it idle.
 6. Check for vacuum.
 For 5 seconds after 5 minutes from starting engine:
Vacuum should not exist.
 More than 5 seconds after starting engine:
Vacuum should exist.

B
CHECK HOSE BETWEEN ABSOLUTE PRESSURE SENSOR AND MAP/BARO SWITCH SOLENOID VALVE.
 1. Turn ignition switch "OFF".
 2. Check hose for clogging, cracks, disconnection or improper connection.

CHECK COMPONENT (Absolute pressure sensor).
 Refer to "COMPONENT INSPECTION" on next page.

Perform "TROUBLE DIAGNOSIS FOR INTERMITTENT INCIDENT", EC-96.

INSPECTION END

NG → **CHECK VACUUM HOSE.**
 Check vacuum hose for clogging, cracks, disconnection or improper connection.
 If NG, repair or replace the hose.

OK → Check vacuum port for clogging.
 If NG, clean it.

OK → **CHECK COMPONENT (MAP/BARO switch solenoid valve).**
 Refer to "COMPONENT INSPECTION" of "TROUBLE DIAGNOSIS FOR DTC P1105", EC-315.

NG → Replace MAP/BARO switch solenoid valve.

OK → **CHECK INTAKE SYSTEM.**
 Check intake system for air leaks.

NG → Repair or reconnect hose.

NG → Replace absolute pressure sensor.

GI
 MA
 EM
 LC
EC
 FE
 CL
 MT
 AT
 PD
 FA
 RA
 BR
 ST
 RS
 BT
 HA
 EL
 IDX

TROUBLE DIAGNOSIS FOR DTC P0105

Absolute Pressure Sensor (Cont'd)

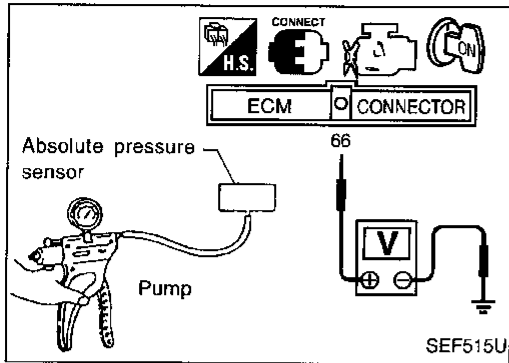
COMPONENT INSPECTION

Absolute pressure sensor

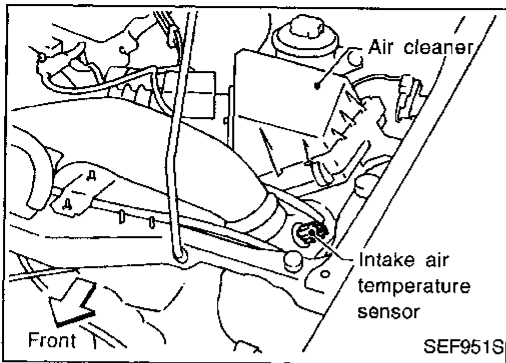
1. Remove absolute pressure sensor with its harness connector connected.
2. Remove hose from absolute pressure sensor.
3. Turn ignition switch "ON" and check output voltage between ECM terminal 66 and engine ground.
The voltage should be 3.2 to 4.8 V.
4. Use pump to apply vacuum of -26.7 kPa (-200 mmHg, -7.87 inHg) to absolute pressure sensor as shown in figure and check the output voltage.
The voltage should be 1.0 to 1.4 V lower than the value measured in step 3.

CAUTION:

- Always calibrate the vacuum pump gauge when using it.
 - Do not apply pressure below -93.3 kPa (-700 mmHg, -27.56 inHg) or over 101.3 kPa (760 mmHg, 29.92 inHg).
5. If NG, replace absolute pressure sensor.



TROUBLE DIAGNOSIS FOR DTC P0110

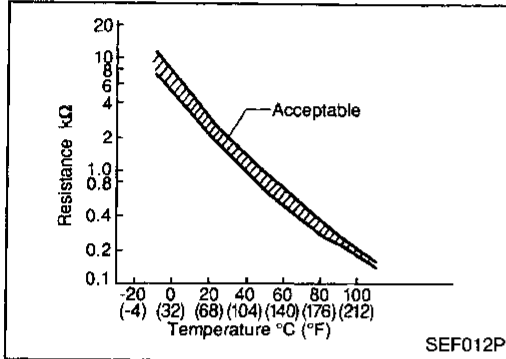


Intake Air Temperature Sensor

COMPONENT DESCRIPTION

The intake air temperature sensor is mounted to the air duct housing. The sensor detects intake air temperature and transmits a signal to the ECM.

The temperature sensing unit uses a thermistor which is sensitive to the change in temperature. Electrical resistance of the thermistor decreases in response to the temperature rise.



<Reference data>

Intake air temperature °C (°F)	Voltage* V	Resistance kΩ
20 (68)	3.5	2.1 - 2.9
80 (176)	1.23	0.27 - 0.38

*: These data are reference values and are measured between ECM terminal ② (Intake air temperature sensor) and ECM terminal ④ (ECCS ground).

ON BOARD DIAGNOSIS LOGIC

Diagnostic Trouble Code No.	Malfunction is detected when ...	Check Items (Possible Cause)
P0110 0401	<p>A) An excessively low or high voltage from the sensor is sent to ECM.</p> <p>B) Rationally incorrect voltage from the sensor is sent to ECM, compared with the voltage signal from engine coolant temperature sensor.</p>	<ul style="list-style-type: none"> • Harness or connectors (The sensor circuit is open or shorted.) • Intake air temperature sensor

DIAGNOSTIC TROUBLE CODE CONFIRMATION PROCEDURE

Perform "Procedure for malfunction A" first. If DTC cannot be confirmed, perform "Procedure for malfunction B".

NOTE:

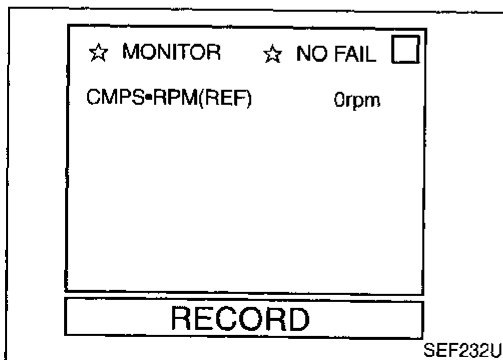
If "DIAGNOSTIC TROUBLE CODE CONFIRMATION PROCEDURE" has been previously conducted, always turn ignition switch "OFF" and wait at least 5 seconds before conducting the next test.

Procedure for malfunction A

- 1) Turn ignition switch "ON".
- 2) Select "DATA MONITOR" mode with CONSULT.
- 3) Wait at least 5 seconds.

OR

- 1) Turn ignition switch "ON" and wait at least 5 seconds.
- 2) Select MODE 7 with GST.



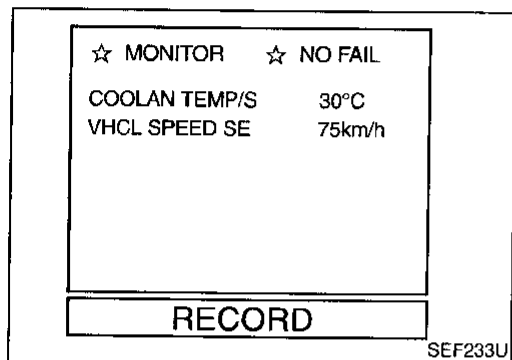
TROUBLE DIAGNOSIS FOR DTC P0110

Intake Air Temperature Sensor (Cont'd)

OR



- 1) Turn ignition switch "ON" and wait at least 5 seconds.
- 2) Turn ignition switch "OFF", wait at least 5 seconds and then turn "ON".
- 3) Perform "Diagnostic Test Mode II (Self-diagnostic results)" with ECM.



Procedure for malfunction B

CAUTION:

Always drive vehicle at a safe speed.

TESTING CONDITION:

This test may be conducted with the drive wheels lifted in the shop or by driving the vehicle. If a road test is expected to be easier, it is unnecessary to lift the vehicle.



- 1) Wait until engine coolant temperature is less than 90°C (194°F).
 - (a) Turn ignition switch "ON".
 - (b) Select "DATA MONITOR" mode with CONSULT.
 - (c) Check the engine coolant temperature.
 - (d) If the engine coolant temperature is not less than 90°C (194°F), turn ignition switch "OFF" and cool down engine.

- Perform the following steps before engine coolant temperature is above 90°C (194°F).

- 2) Turn ignition switch "ON".
- 3) Select "DATA MONITOR" mode with CONSULT.
- 4) Start engine.
- 5) Hold vehicle speed more than 70 km/h (43 MPH) for 100 consecutive seconds.

FUEL SYS #1	OPEN
FUEL SYS #2	UNUSED
CALC LOAD	0%
COOLANT TEMP	28°C
SHORT FT #1	0%
LONG FT #1	0%
ENGINE SPD	0RPM
VEHICLE SPD	0km/h
IGN ADVANCE	5.0°
INTAKE AIR	25°C
MAF	0.0gm/sec
THROTTLE POS	0%
O2S LOCATION	3
O2S B1,S1	0.380V
O2FT B1,S1	0%
O2S B1,S2	0.000V

SEF950N

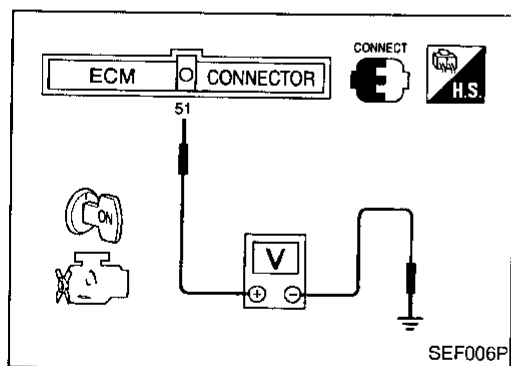
OR



- 1) Wait until engine coolant temperature is less than 90°C (194°F).
 - (a) Turn ignition switch "ON".
 - (b) Select MODE 1 with GST.
 - (c) Check the engine coolant temperature.
 - (d) If the engine coolant temperature is not less than 90°C (194°F), turn ignition switch "OFF" and cool down engine.

- Perform the following steps before engine coolant temperature is above 90°C (194°F).

- 2) Start engine.
- 3) Hold vehicle speed more than 70 km/h (43 MPH) for 100 consecutive seconds.
- 4) Select MODE 7 with GST.



TROUBLE DIAGNOSIS FOR DTC P0110

Intake Air Temperature Sensor (Cont'd)

OR



- 1) Wait until engine coolant temperature is less than 90°C (194°F).
 - (a) Turn ignition switch "ON".
 - (b) Check voltage between ECM terminal ⑤ and ground.
Voltage: More than 1.0 (V)
 - (c) If the voltage is not more than 1.0 (V), turn ignition switch "OFF" and cool down engine.
- Perform the following steps before the voltage is below 1.0V.
- 2) Start engine.
- 3) Hold vehicle speed more than 70 km/h (43 MPH) for 100 consecutive seconds.
- 4) Turn ignition switch "OFF", wait at least 5 seconds and then turn "ON".
- 5) Perform "Diagnostic Test Mode II (Self-diagnostic results)" with ECM.

GI

MA

EM

LC

EC

FE

CL

MT

AT

PD

FA

RA

BR

ST

RS

BT

HA

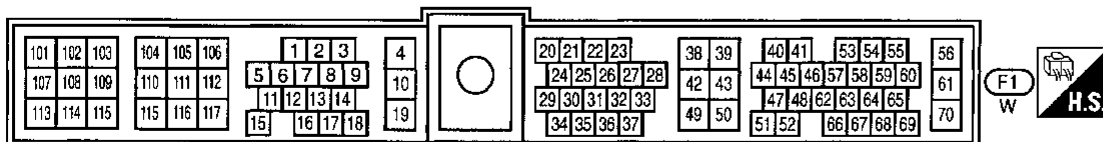
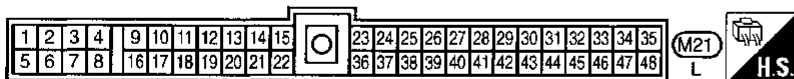
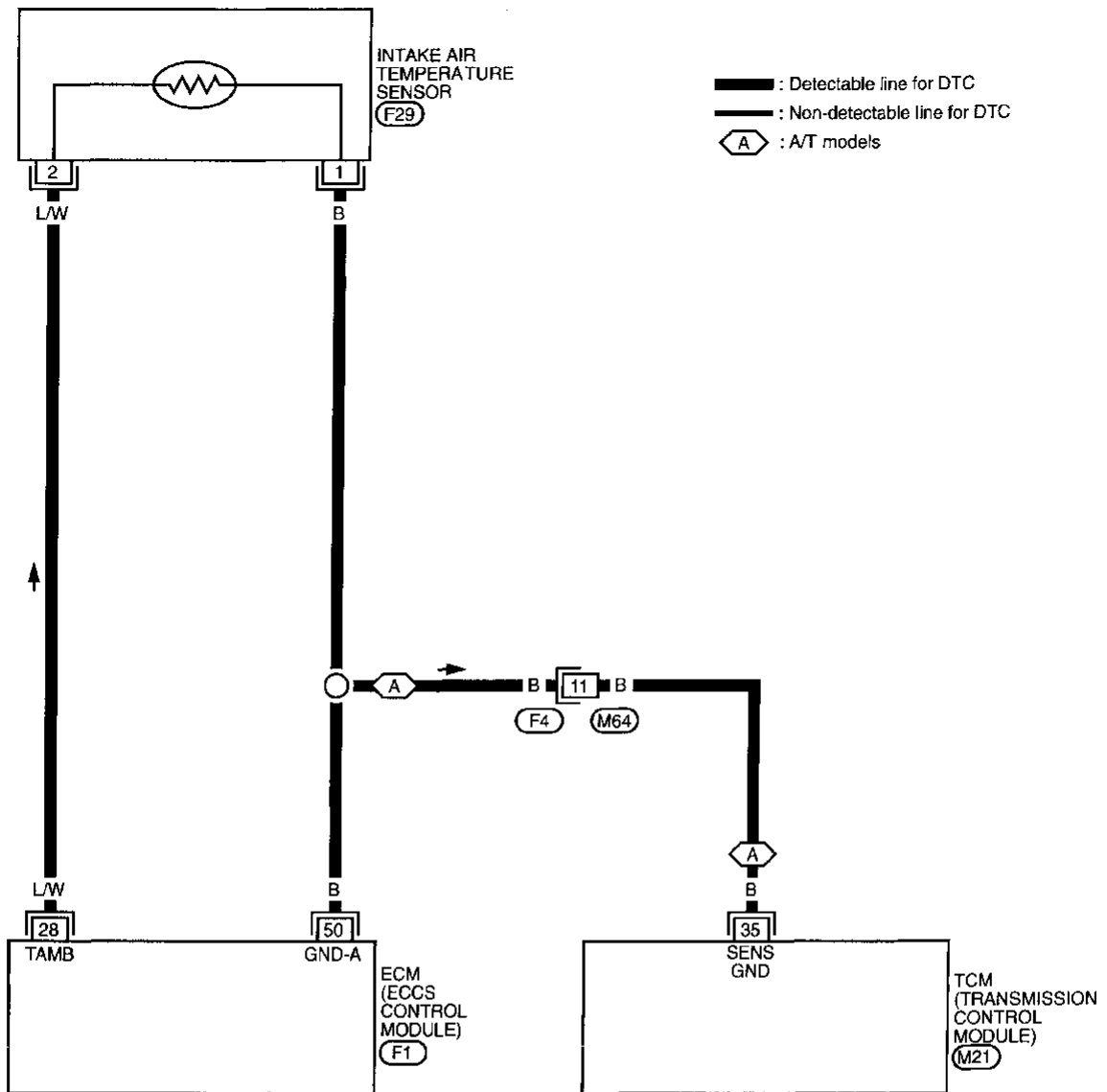
EL

IDX

TROUBLE DIAGNOSIS FOR DTC P0110

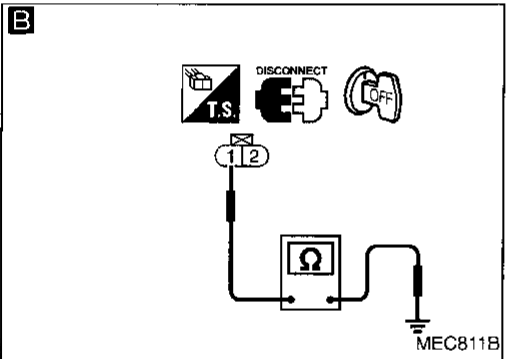
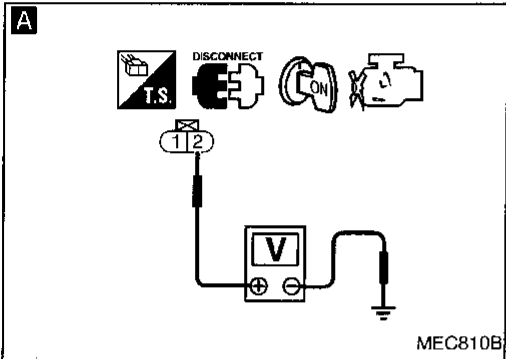
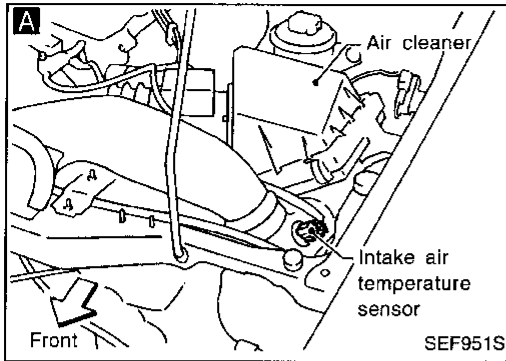
Intake Air Temperature Sensor (Cont'd)

EC-IATS-01



TROUBLE DIAGNOSIS FOR DTC P0110

Intake Air Temperature Sensor (Cont'd) DIAGNOSTIC PROCEDURE



INSPECTION START

A
CHECK POWER SUPPLY.
1. Turn ignition switch "OFF".
2. Disconnect intake air temperature sensor harness connector.
3. Turn ignition switch "ON".
4. Check voltage between terminal ② and ground.
Voltage:
Approximately 5V

NG
Check the following.
● Harness for open or short between ECM and intake air temperature sensor
If NG, repair harness or connectors.

B
CHECK GROUND CIRCUIT.
1. Turn ignition switch "OFF".
2. Check harness continuity between terminal ① and engine ground.
Continuity should exist.
If OK, check harness for short to ground and short to power.

NG
Check the following.
● Harness connectors (F4), (M64)
● Harness for open or short between ECM and intake air temperature sensor
● Harness for open or short between TCM and intake air temperature sensor
If NG, repair open circuit or short to ground or short to power in harness or connectors.

CHECK COMPONENT
(Intake air temperature sensor).
Refer to "COMPONENT INSPECTION" on next page.

NG
Replace intake air temperature sensor.

OK
Perform "TROUBLE DIAGNOSIS FOR INTERMITTENT INCIDENT", EC-96.

INSPECTION END

GI
MA
EM
LC
EC
FE
CL
MT
AT
PD
FA
RA
BR
ST
RS
BT
HA
EL
IDX

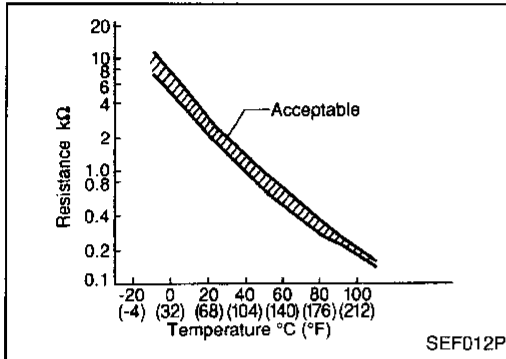
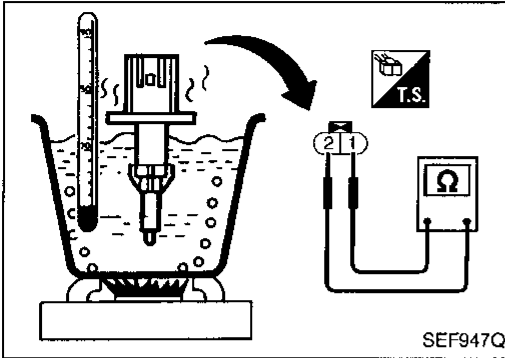
TROUBLE DIAGNOSIS FOR DTC P0110

Intake Air Temperature Sensor (Cont'd)

COMPONENT INSPECTION

Intake air temperature sensor

Check resistance as shown in the figure.

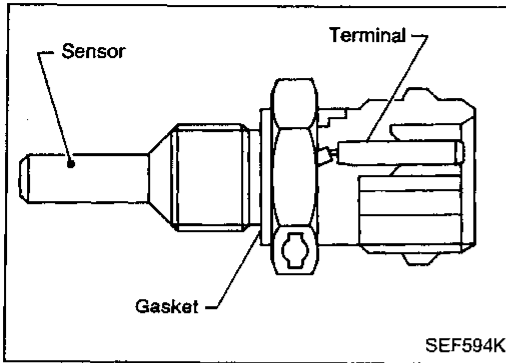


<Reference data>

Intake air temperature °C (°F)	Resistance kΩ
20 (68)	2.1 - 2.9
80 (176)	0.27 - 0.38

If NG, replace intake air temperature sensor.

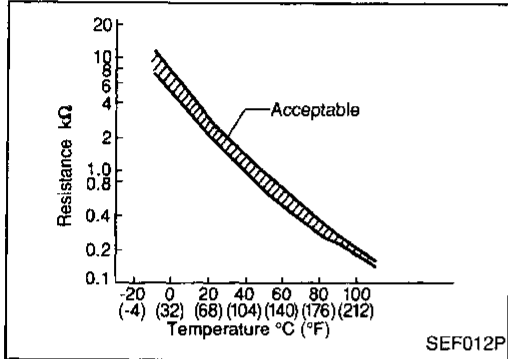
TROUBLE DIAGNOSIS FOR DTC P0115



Engine Coolant Temperature Sensor (ECTS) (Circuit)

COMPONENT DESCRIPTION

The engine coolant temperature sensor is used to detect the engine coolant temperature. The sensor modifies a voltage signal from the ECM. The modified signal returns to the ECM as the engine coolant temperature input. The sensor uses a thermistor which is sensitive to the change in temperature. The electrical resistance of the thermistor decreases as temperature increases.



<Reference data>

Engine coolant temperature °C (°F)	Voltage* V	Resistance kΩ
-10 (14)	4.4	7.0 - 11.4
20 (68)	3.5	2.1 - 2.9
50 (122)	2.2	0.68 - 1.00
90 (194)	0.9	0.236 - 0.260

*: These data are reference values and are measured between ECM terminal ⑤ (Engine coolant temperature sensor) and ECM terminal ④ (ECSS ground).

ON BOARD DIAGNOSIS LOGIC

Diagnostic Trouble Code No.	Malfunction is detected when ...	Check Items (Possible Cause)
P0115 0103	<ul style="list-style-type: none"> An excessively high or low voltage from the sensor is sent to ECM.* 	<ul style="list-style-type: none"> Harness or connectors (The sensor circuit is open or shorted.) Engine coolant temperature sensor

*: When this malfunction is detected, the ECM enters fail-safe mode and the MIL lights up.

Detected items	Engine operating condition in fail-safe mode								
Engine coolant temperature sensor circuit	<p>Engine coolant temperature will be determined by ECM based on the time after turning ignition switch "ON" or "START". CONSULT displays the engine coolant temperature decided by ECM.</p> <table border="1"> <thead> <tr> <th>Condition</th> <th>Engine coolant temperature decided (CONSULT display)</th> </tr> </thead> <tbody> <tr> <td>Just as ignition switch is turned ON or Start</td> <td>40°C (104°F)</td> </tr> <tr> <td>More than approx. 4 minutes after ignition ON or Start</td> <td>80°C (176°F)</td> </tr> <tr> <td>Except as shown above</td> <td>40 - 80°C (104 - 176°F) (Depends on the time)</td> </tr> </tbody> </table>	Condition	Engine coolant temperature decided (CONSULT display)	Just as ignition switch is turned ON or Start	40°C (104°F)	More than approx. 4 minutes after ignition ON or Start	80°C (176°F)	Except as shown above	40 - 80°C (104 - 176°F) (Depends on the time)
Condition	Engine coolant temperature decided (CONSULT display)								
Just as ignition switch is turned ON or Start	40°C (104°F)								
More than approx. 4 minutes after ignition ON or Start	80°C (176°F)								
Except as shown above	40 - 80°C (104 - 176°F) (Depends on the time)								

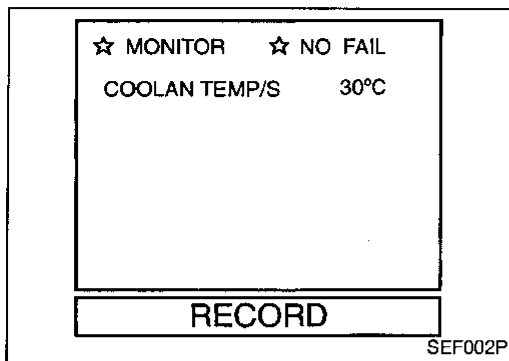
TROUBLE DIAGNOSIS FOR DTC P0115

Engine Coolant Temperature Sensor (ECTS) (Circuit) (Cont'd)

DIAGNOSTIC TROUBLE CODE CONFIRMATION PROCEDURE

NOTE:

If "DIAGNOSTIC TROUBLE CODE CONFIRMATION PROCEDURE" has been previously conducted, always turn ignition switch "OFF" and wait at least 5 seconds before conducting the next test.



- 1) Turn ignition switch "ON".
- 2) Select "DATA MONITOR" mode with CONSULT.
- 3) Wait at least 5 seconds.

OR



- 1) Turn ignition switch "ON" and wait at least 5 seconds.
- 2) Select "MODE 7" with GST.

OR

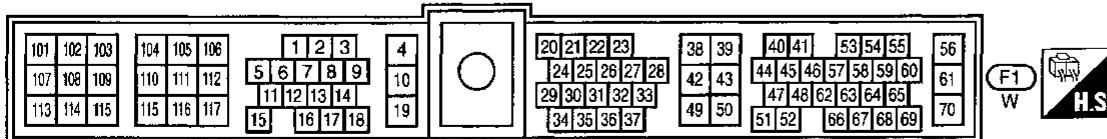
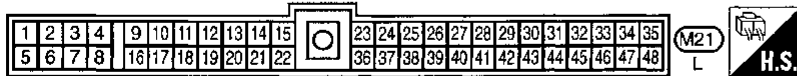
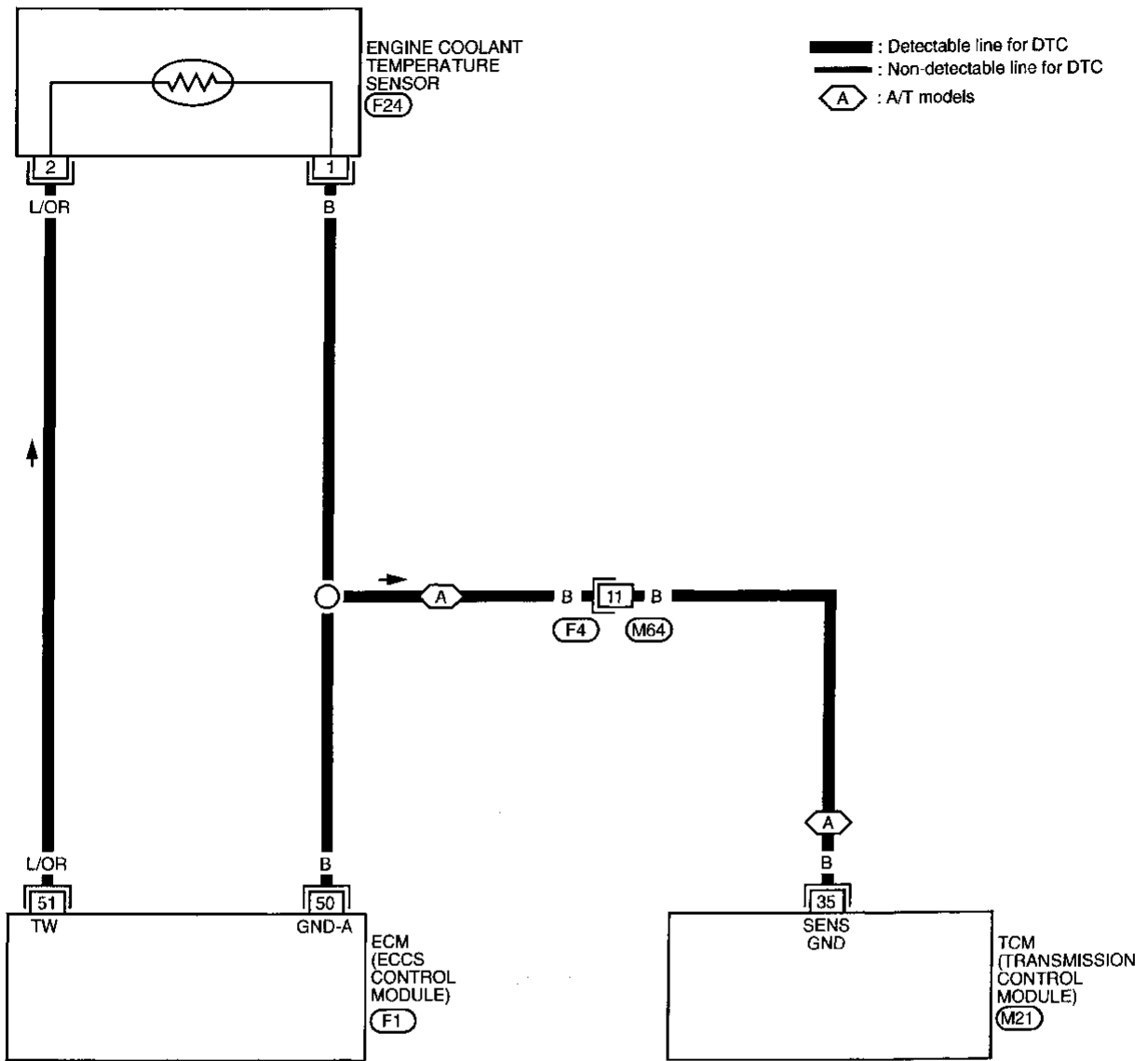


- 1) Turn ignition switch "ON" and wait at least 5 seconds.
- 2) Turn ignition switch "OFF", wait at least 5 seconds and then turn "ON".
- 3) Perform "Diagnostic Test Mode II (Self-diagnostic results)" with ECM.

TROUBLE DIAGNOSIS FOR DTC P0115

Engine Coolant Temperature Sensor (ECTS) (Circuit) (Cont'd)

EC-ECTS-01

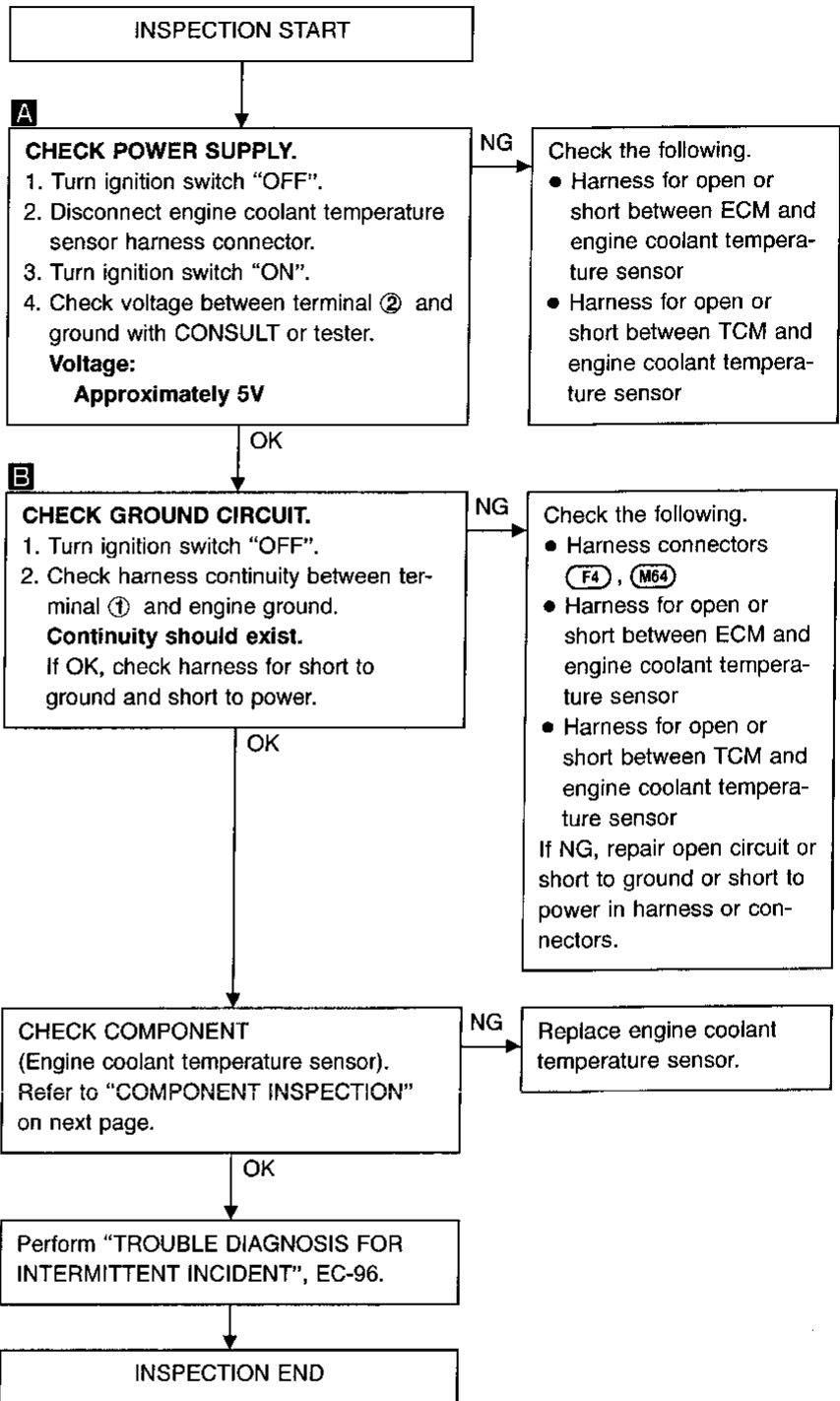
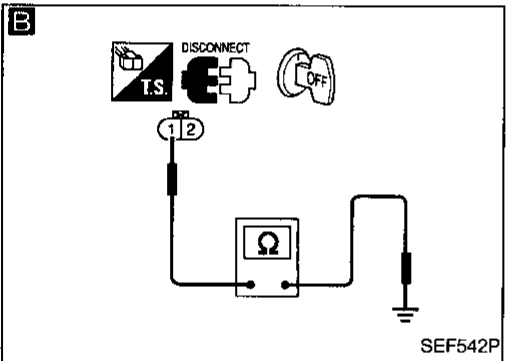
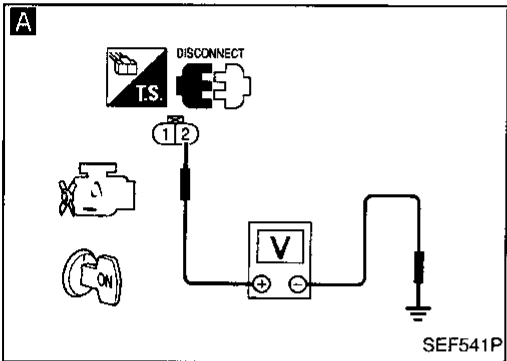
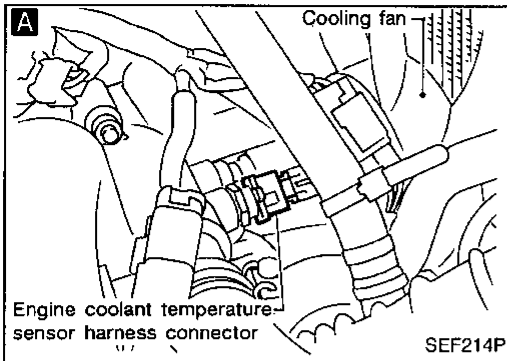


GI
 MA
 EM
 LC
EC
 FE
 CL
 MT
 AT
 PD
 FA
 RA
 BR
 ST
 RS
 BT
 HA
 EL
 IDX

TROUBLE DIAGNOSIS FOR DTC P0115

Engine Coolant Temperature Sensor (ECTS) (Circuit) (Cont'd)

DIAGNOSTIC PROCEDURE



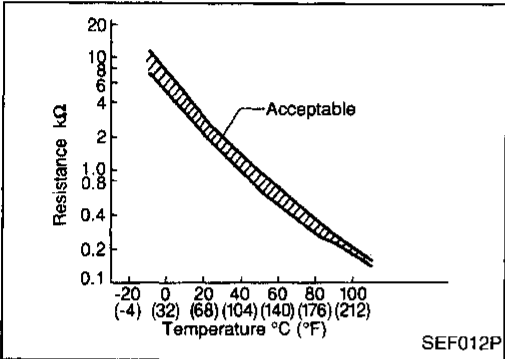
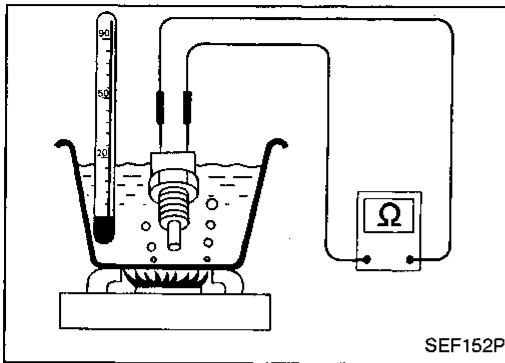
TROUBLE DIAGNOSIS FOR DTC P0115

Engine Coolant Temperature Sensor (ECTS) (Circuit) (Cont'd)

COMPONENT INSPECTION

Engine coolant temperature sensor

Check resistance as shown in the figure.



<Reference data>

Temperature °C (°F)	Resistance kΩ
20 (68)	2.1 - 2.9
50 (122)	0.68 - 1.00
90 (194)	0.236 - 0.260

If NG, replace engine coolant temperature sensor.

GI

MA

EM

LC

EC

FE

CL

MT

AT

PD

FA

RA

BR

ST

RS

BT

HA

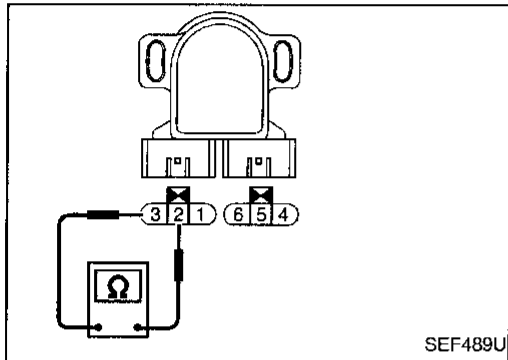
EL

IDX

TROUBLE DIAGNOSIS FOR DTC P0120

Throttle Position Sensor

Note: If both DTC P0120 (0403) and DTC P0510 (0203) are displayed, perform TROUBLE DIAGNOSIS FOR DTC P0510 first. (See EC-298.)



COMPONENT DESCRIPTION

The throttle position sensor responds to the accelerator pedal movement. This sensor is a kind of potentiometer which transforms the throttle position into output voltage, and emits the voltage signal to the ECM. In addition, the sensor detects the opening and closing speed of the throttle valve and feeds the voltage signal to the ECM.

Idle position of the throttle valve is determined by the ECM receiving the signal from the throttle position sensor. This sensor controls engine operation such as fuel cut. On the other hand, the "Wide open and closed throttle position switch", which is built into the throttle position sensor unit, is not used for engine control.

CONSULT REFERENCE VALUE IN DATA MONITOR MODE

Specification data are reference values.

MONITOR ITEM	CONDITION		SPECIFICATION
THRTL POS SEN	<ul style="list-style-type: none"> Ignition switch: ON (Engine stopped) Engine: After warming up 	Throttle valve: fully closed	0.3 - 0.7V
		Throttle valve: fully opened	Approx. 4.0V
ABSOL TH-P/S	<ul style="list-style-type: none"> Ignition switch: ON (Engine stopped) Engine: After warming up 	Throttle valve: fully closed	0.0%
		Throttle valve: fully opened	Approx. 84%

ECM TERMINALS AND REFERENCE VALUE

Specification data are reference values and are measured between each terminal and ④ (ECCS ground).

TER-MINAL NO.	WIRE COLOR	ITEM	CONDITION	DATA (DC Voltage)
23	W	Throttle position sensor	Ignition switch "ON" (Warm-up condition) └ Accelerator pedal fully released	0.3 - 0.7V
			Ignition switch "ON" └ Accelerator pedal fully depressed	Approximately 4V
33	R/Y	Throttle position sensor signal	Ignition switch "ON" (Warm-up condition) └ Accelerator pedal fully released	Approximately 0.4V
			Ignition switch "ON" └ Accelerator pedal fully depressed	Approximately 3V
49	LG/R	Sensors' power supply	Ignition switch "ON"	Approximately 5.1V
50	B	Sensors' ground	Engine is running. └ Idle speed	Approximately 0V

TROUBLE DIAGNOSIS FOR DTC P0120

Throttle Position Sensor (Cont'd)

ON BOARD DIAGNOSIS LOGIC

Diagnostic Trouble Code No.	Malfunction is detected when ...	Check Items (Possible Cause)
P0120 0403	A) An excessively low or high voltage from the sensor is sent to ECM.*	<ul style="list-style-type: none"> ● Harness or connectors (The throttle position sensor circuit is open or shorted.) ● Throttle position sensor
	B) A high voltage from the sensor is sent to ECM under light load driving condition.	<ul style="list-style-type: none"> ● Harness or connectors (The throttle position sensor circuit is open or shorted.) ● Throttle position sensor ● Fuel injector ● Camshaft position sensor ● Mass air flow sensor
	C) A low voltage from the sensor is sent to ECM under heavy load driving condition.	<ul style="list-style-type: none"> ● Harness or connectors (The throttle position sensor circuit is open or shorted.) ● Intake air leaks ● Throttle position sensor

*: When this malfunction is detected, the ECM enters fail-safe mode and the MIL lights up.

Detected items	Engine operating condition in fail-safe mode						
Throttle position sensor circuit	<p>Throttle position will be determined based on the injected fuel amount and the engine speed. Therefore, acceleration will be poor.</p> <table border="1" style="width: 100%; border-collapse: collapse;"> <thead> <tr> <th style="text-align: center;">Condition</th> <th style="text-align: center;">Driving condition</th> </tr> </thead> <tbody> <tr> <td style="text-align: center;">When engine is idling</td> <td style="text-align: center;">Normal</td> </tr> <tr> <td style="text-align: center;">When accelerating</td> <td style="text-align: center;">Poor acceleration</td> </tr> </tbody> </table>	Condition	Driving condition	When engine is idling	Normal	When accelerating	Poor acceleration
Condition	Driving condition						
When engine is idling	Normal						
When accelerating	Poor acceleration						

DIAGNOSTIC TROUBLE CODE CONFIRMATION PROCEDURE

Perform "Procedure for malfunction A" first. If the DTC cannot be confirmed, perform "Procedure for malfunction B". If there is no problem on "Procedure for malfunction B", perform "Procedure for malfunction C".

Procedure for malfunction A

NOTE:

If "DIAGNOSTIC TROUBLE CODE CONFIRMATION PROCEDURE" has been previously conducted, always turn ignition switch "OFF" and wait at least 5 seconds before conducting the next test.

CAUTION:

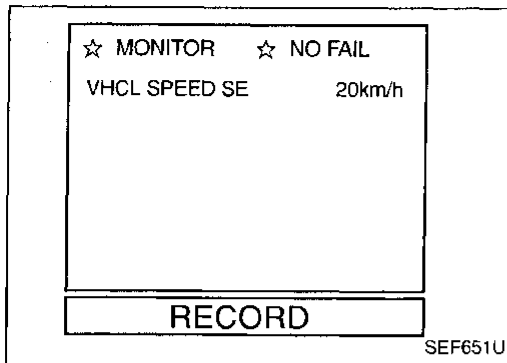
Always drive vehicle at a safe speed.

TESTING CONDITION:

- Before performing the following procedure, confirm that battery voltage is more than 10V at idle.
- This test may be conducted with the drive wheels lifted in the shop or by driving the vehicle. If a road test is expected to be easier, it is unnecessary to lift the vehicle.

TROUBLE DIAGNOSIS FOR DTC P0120

Throttle Position Sensor (Cont'd)



- 1) Turn ignition switch "ON" and select "DATA MONITOR" mode with CONSULT.
- 2) Start engine and maintain the following conditions for at least 5 consecutive seconds.

VHCL SPEED SE: More than 4 km/h (2 MPH)

Selector lever: Suitable position except "P" or "N" position

OR



- 1) Start engine and maintain the following conditions for at least 5 consecutive seconds.

Vehicle speed: More than 4 km/h (2 MPH)

Selector lever: Suitable position except "P" or "N" position

- 2) Select "MODE 7" with GST.

OR

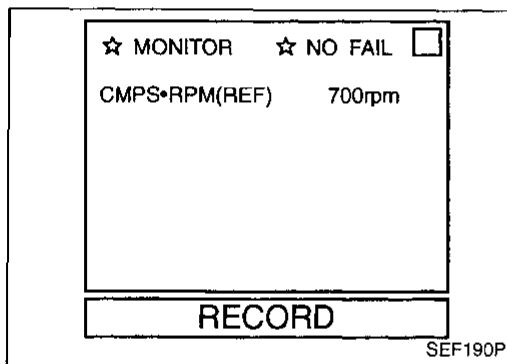


- 1) Start engine and maintain the following conditions for at least 5 consecutive seconds.

Vehicle speed: More than 4 km/h (2 MPH)

Selector lever: Suitable position except "P" or "N" position

- 2) Turn ignition switch "OFF" and wait at least 5 seconds.
- 3) Turn ignition switch "ON" and perform "Diagnostic Test Mode II (Self-diagnostic results)" with ECM.



Procedure for malfunction B

NOTE:

If "DIAGNOSTIC TROUBLE CODE CONFIRMATION PROCEDURE" has been previously conducted, always turn ignition switch "OFF" and wait at least 5 seconds before conducting the next test.



- 1) Turn ignition switch "ON".
- 2) Select "DATA MONITOR" mode with CONSULT.
- 3) Start engine and let it idle for at least 10 seconds.

OR



- 1) Start engine and let it idle for at least 10 seconds.
- 2) Select "MODE 7" with GST.

OR



- 1) Start engine and let it idle for at least 10 seconds.
- 2) Turn ignition switch "OFF" and wait at least 5 seconds.
- 3) Turn ignition switch "ON" and perform "Diagnostic Test Mode II (Self-diagnostic results)" with ECM.

TROUBLE DIAGNOSIS FOR DTC P0120

Throttle Position Sensor (Cont'd)

Procedure for malfunction C

CAUTION:

Always drive vehicle at a safe speed.

NOTE:

If "DIAGNOSTIC TROUBLE CODE CONFIRMATION PROCEDURE" has been previously conducted, always turn ignition switch "OFF" and wait at least 5 seconds before conducting the next test.



- 1) Start engine and warm it up to normal operating temperature.
- 2) Turn ignition switch "OFF" and wait at least 5 seconds.
- 3) Turn ignition switch "ON".
- 4) Select "MANU TRIG" and "HI SPEED" in "DATA MONITOR" mode with CONSULT.
- 5) Select "THRTL POS SEN" and "ABSOL TH-P/S" in "DATA MONITOR" mode with CONSULT.
- 6) Press RECORD on CONSULT SCREEN at the same time accelerator pedal is depressed.
- 7) Print out the recorded graph and check the following:
 - The voltage rise is linear in response to accelerator pedal depression.
 - The voltage when accelerator pedal is fully depressed is approximately 4V.
 If NG, go to "DIAGNOSTIC PROCEDURE", EC-136.
 If OK, go to following step.
- 8) Select "AUTO TRIG" in "DATA MONITOR" mode with CONSULT.
- 9) Maintain the following conditions for at least 10 consecutive seconds.

CMPS-RPM (REF): More than 2,000 rpm

MAS AIR/FL SE: More than 3V

COOLAN TEMP/S: More than 70°C (158°F)

Selector lever: Suitable position

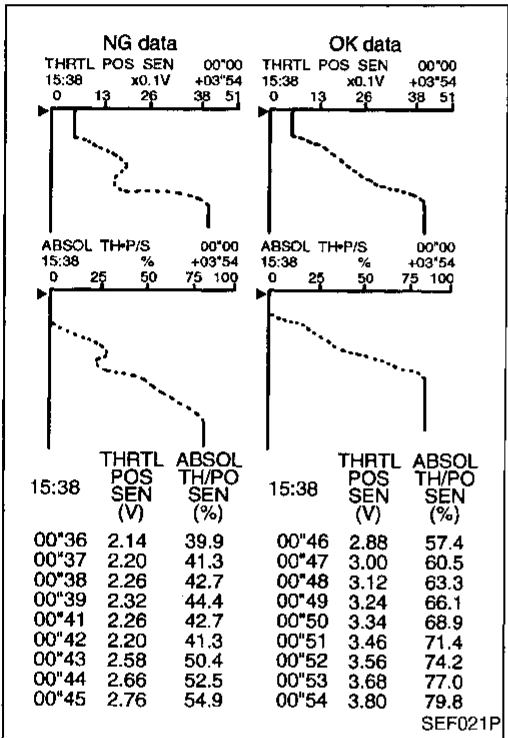
Driving location: Driving vehicle uphill (Increased engine load) will help maintain the driving conditions required for this test.

☆ MONITOR ☆ NO FAIL

THRTL POS SEN 0.48V
ABSOL TH-P/S 0.0%

RECORD

SEF024P



☆ MONITOR ☆ NO FAIL

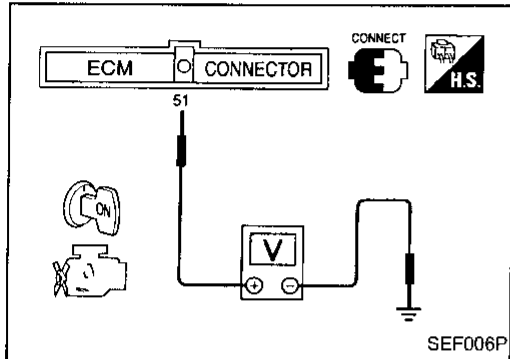
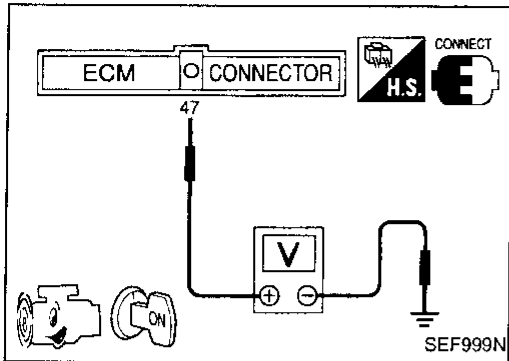
CMPS-RPM(REF) 2137rpm
MAS AIR/FL SE 3.07V
COOLAN TEMP/S 84°C

RECORD

SEF235U

TROUBLE DIAGNOSIS FOR DTC P0120

Throttle Position Sensor (Cont'd)



OR



- 1) Maintain the following conditions for at least 10 consecutive seconds.

Gear position: Suitable position

Engine speed: More than 2,000 rpm

Engine coolant temperature: More than 70°C (158°F)

**Voltage between ECM terminal ④ and ground:
More than 3V**

OR



- 1) Maintain the following conditions for at least 10 consecutive seconds.

Gear position: Suitable position

Engine speed: More than 2,000 rpm

**Voltage between ECM terminal ④ and ground:
More than 3V**

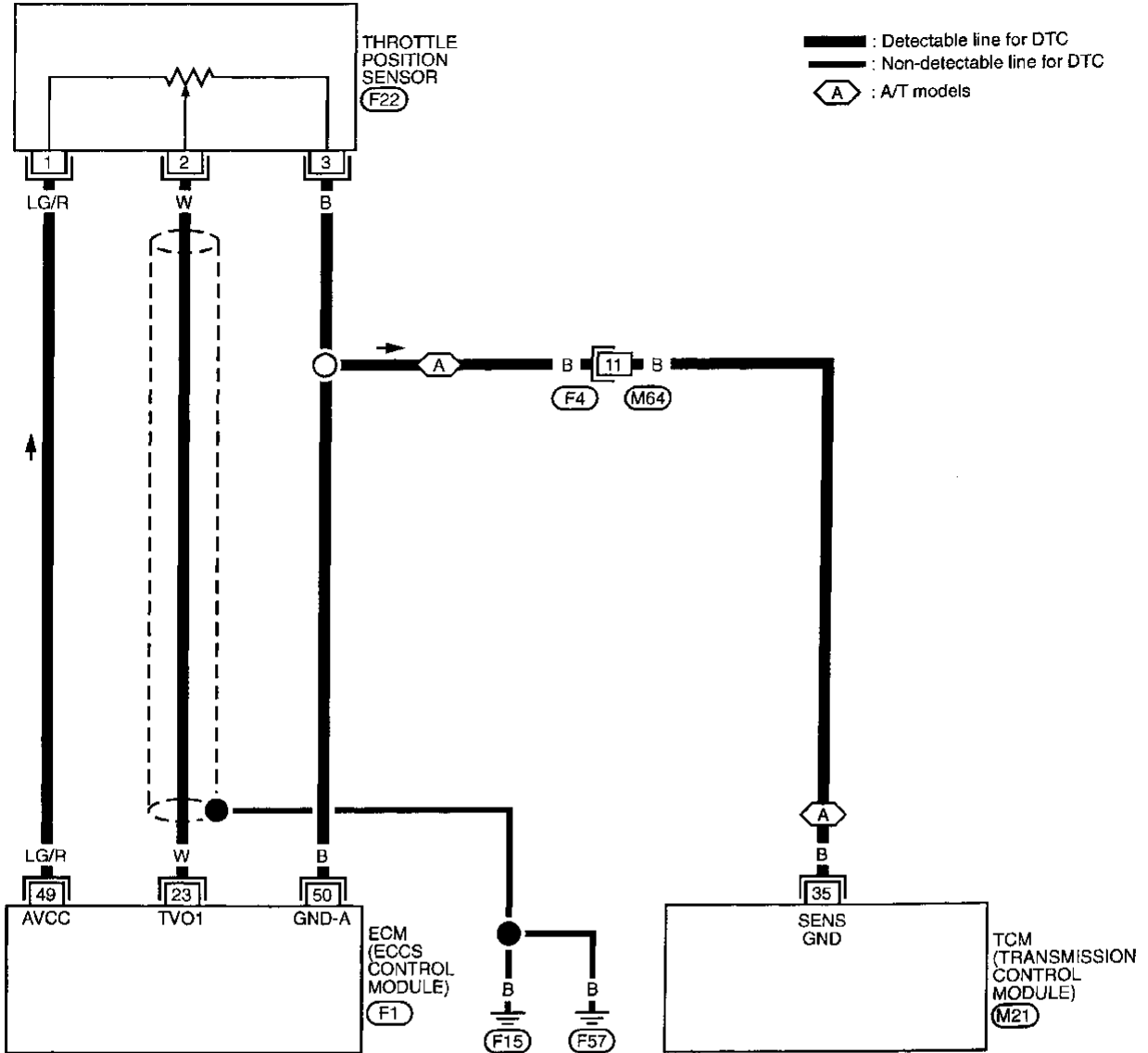
**Voltage between ECM terminal ⑤ and ground:
Less than 1.5V**

- 2) Stop the vehicle, turn ignition switch "OFF", wait at least 5 seconds and then turn "ON".
- 3) Perform "Diagnostic Test Mode II (Self-diagnostic results)" with ECM.

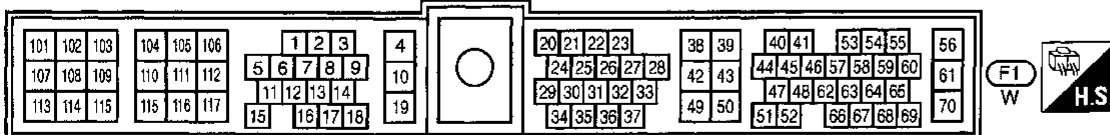
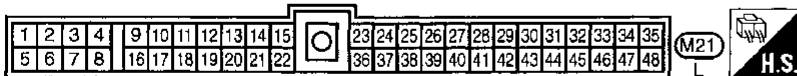
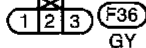
TROUBLE DIAGNOSIS FOR DTC P0120

Throttle Position Sensor (Cont'd)

EC-TPS-01



GI
MA
EM
LC
EC
FE
CL
MT
AT
PD
FA
RA
BR
ST
RS
BT
HA
EL
IDX



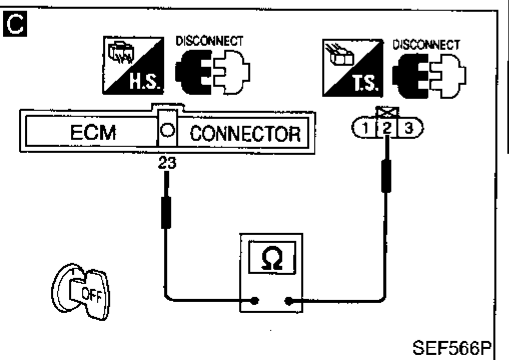
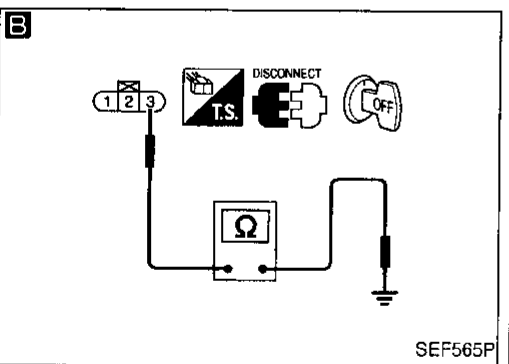
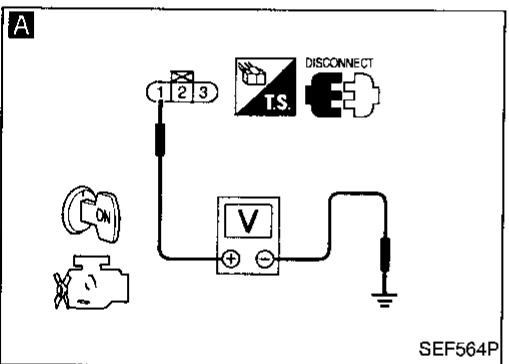
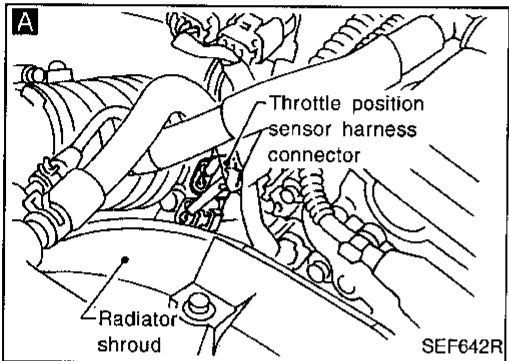
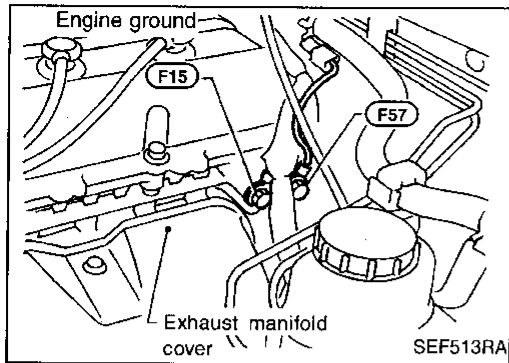
TROUBLE DIAGNOSIS FOR DTC P0120

Throttle Position Sensor (Cont'd)

DIAGNOSTIC PROCEDURE

If the trouble is duplicated after "Procedure for malfunction A", perform "Procedure A" below. If the trouble is duplicated after "Procedure for malfunction B", perform "Procedure B" on next page. If the trouble is duplicated after "Procedure for malfunction C", perform "Procedure C" on EC-139.

Procedure A



INSPECTION START

1. Turn ignition switch "OFF".
2. Loosen and retighten engine ground screws.

A

CHECK POWER SUPPLY.

1. Disconnect throttle position sensor harness connector.
 2. Turn ignition switch "ON".
 3. Check voltage between terminal ① and ground with CONSULT or tester.
- Voltage: Approximately 5V**

NG

Repair harness or connectors.

OK

B

CHECK GROUND CIRCUIT.

1. Turn ignition switch "OFF".
 2. Check harness continuity between terminal ③ and engine ground.
- Continuity should exist.**
If OK, check harness for short to ground and short to power.

NG

Check the following.

- Harness connectors (F4, M64)
- Harness for open or short between ECM and throttle position sensor
- Harness for open or short between TCM and throttle position sensor

If NG, repair open circuit or short to ground or short to power in harness or connectors.

OK

C

CHECK INPUT SIGNAL CIRCUIT.

1. Disconnect ECM harness connector.
 2. Check harness continuity between ECM terminal ② and terminal ②.
- Continuity should exist.**
If OK, check harness for short to ground and short to power.

NG

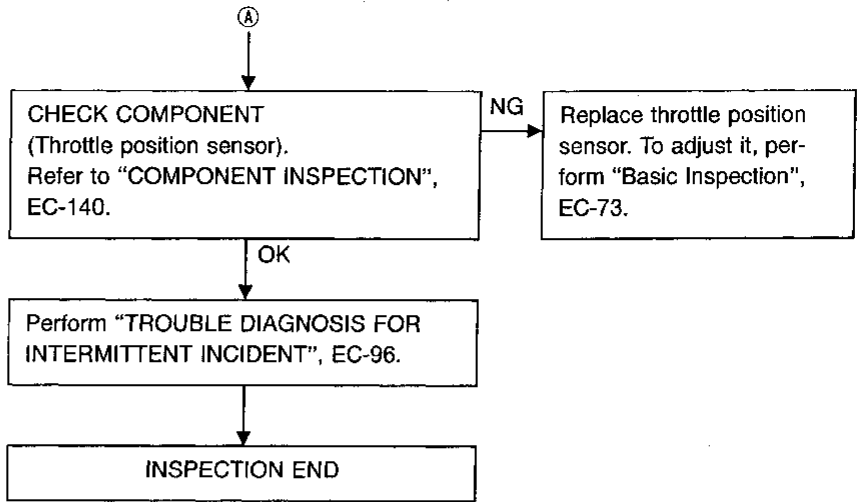
Repair harness or connectors.

OK

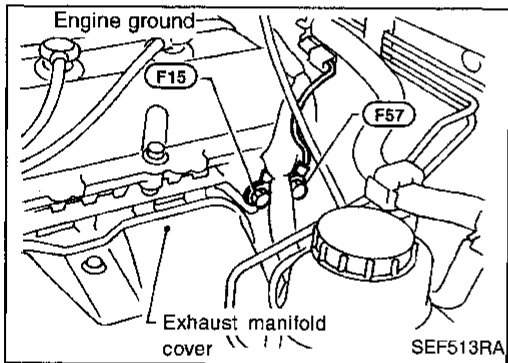
Ⓐ

TROUBLE DIAGNOSIS FOR DTC P0120

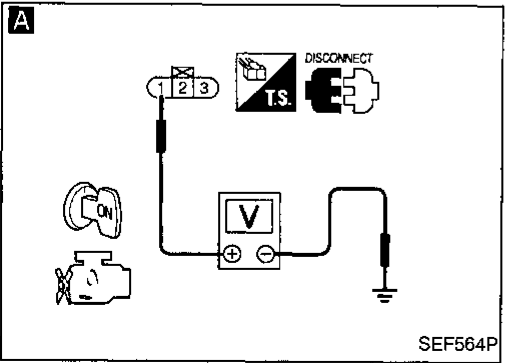
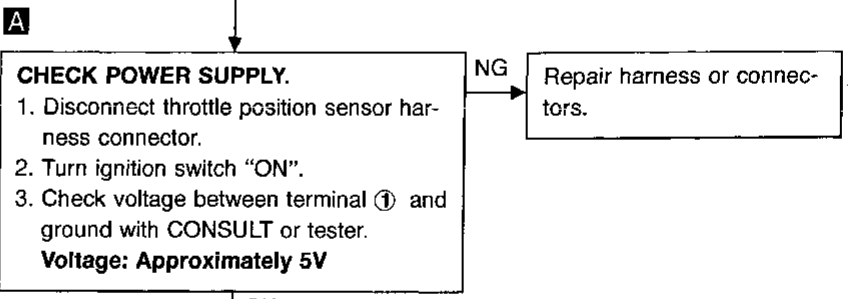
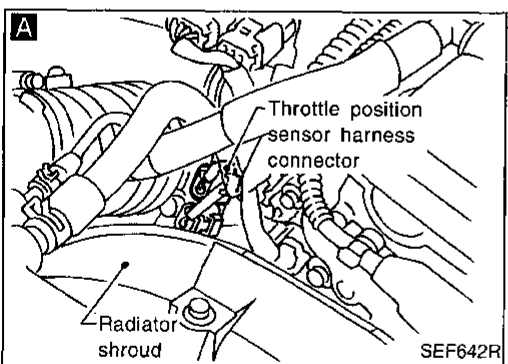
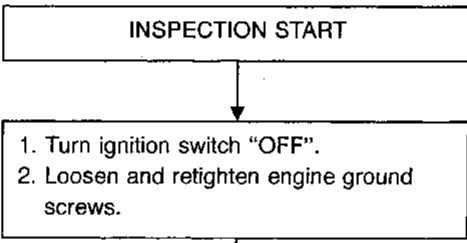
Throttle Position Sensor (Cont'd)



GI
MA
EM
LC
EC
FE
CL
MT
AT
PD
FA
RA
BR
ST
RS
BT
HA
EL
IDX

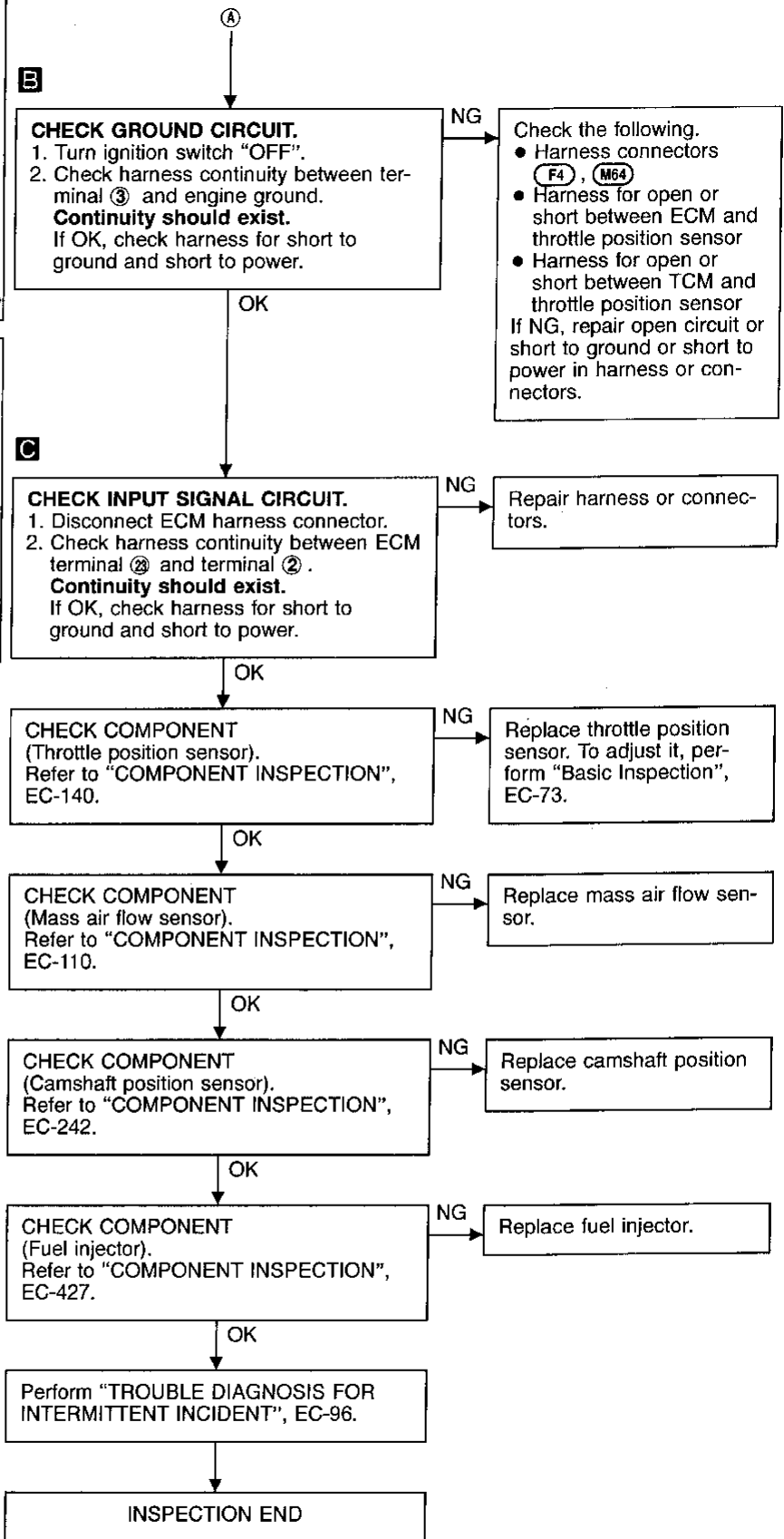
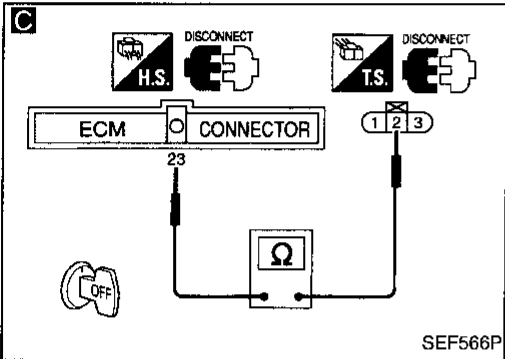
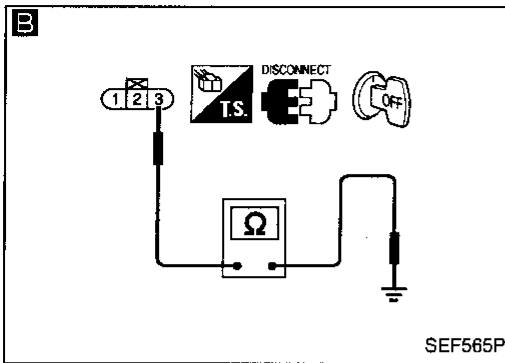


Procedure B



TROUBLE DIAGNOSIS FOR DTC P0120

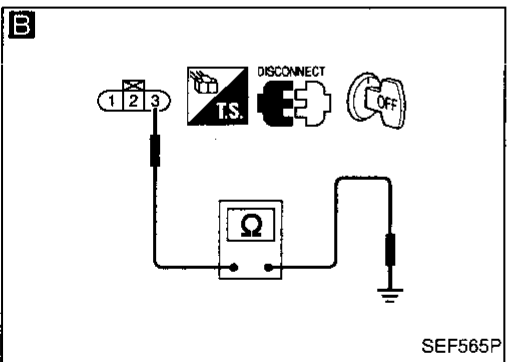
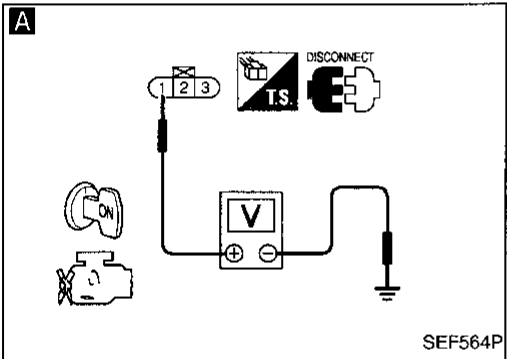
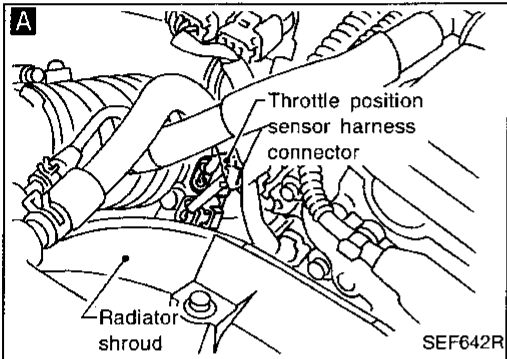
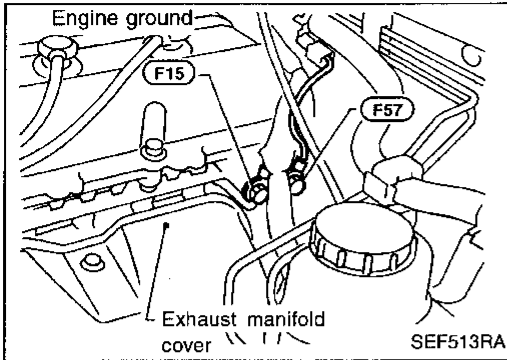
Throttle Position Sensor (Cont'd)



TROUBLE DIAGNOSIS FOR DTC P0120

Throttle Position Sensor (Cont'd)

Procedure C



INSPECTION START

ADJUST THROTTLE POSITION SENSOR.
Perform "Basic Inspection", EC-73.

OK

CHECK INTAKE SYSTEM.
Check the followings for connection.
• Air duct
• Vacuum hoses
• Intake air passage between air duct to collector
If disconnected, reconnect the parts.

NG → Reconnect the parts.

OK

1. Turn ignition switch "OFF".
2. Loosen and retighten engine ground screws.

CHECK POWER SUPPLY.
1. Disconnect throttle position sensor harness connector.
2. Turn ignition switch "ON".
3. Check voltage between terminal ① and ground with CONSULT or tester.
Voltage: Approximately 5V

NG → Repair harness or connectors.

OK

CHECK GROUND CIRCUIT.
1. Turn ignition switch "OFF".
2. Check harness continuity between terminal ③ and engine ground.
Continuity should exist.
If OK, check harness for short to ground and short to power.

NG → Check the following.
• Harness connectors
 (F4) (M64)
• Harness for open or short between ECM and throttle position sensor
• Harness for open or short between TCM and throttle position sensor
If NG, repair open circuit or short to ground or short to power in harness or connectors.

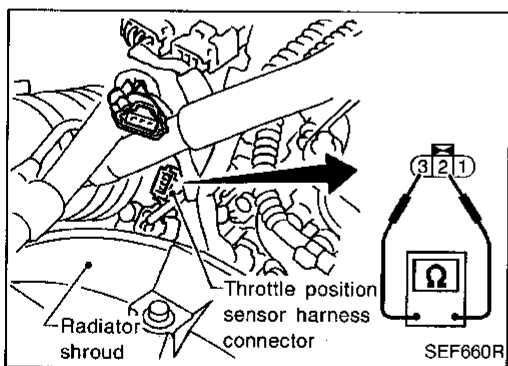
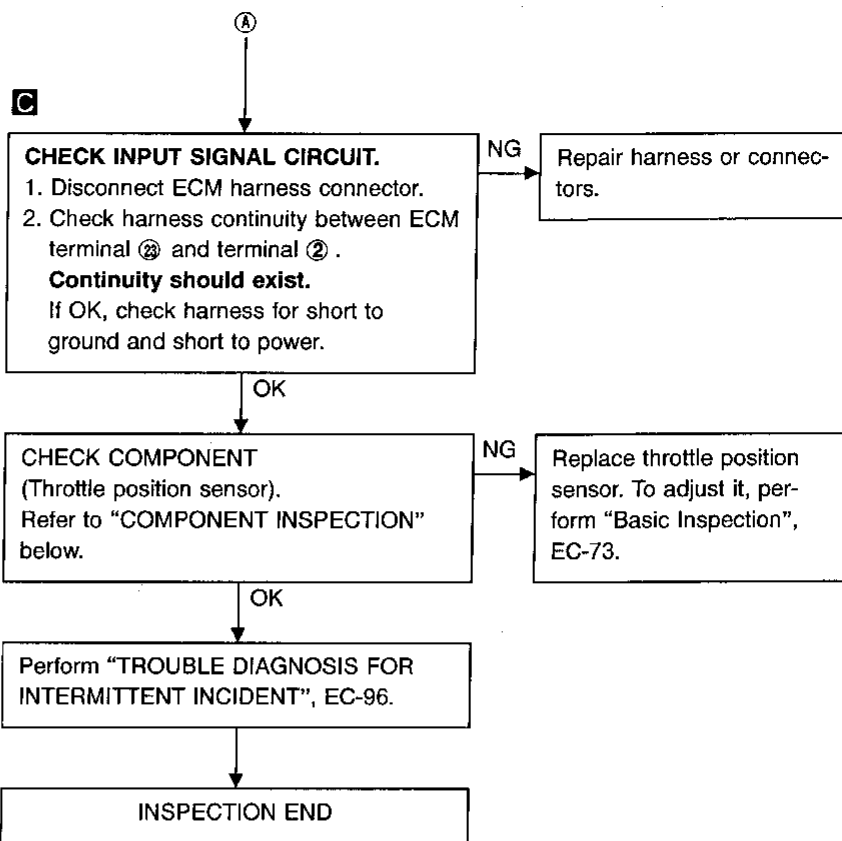
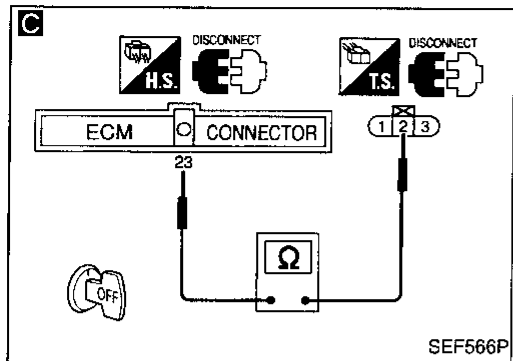
OK

Ⓐ

GI
MA
EM
LC
EC
FE
CL
MT
AT
PD
FA
RA
BR
ST
RS
BT
HA
EL
IDX

TROUBLE DIAGNOSIS FOR DTC P0120

Throttle Position Sensor (Cont'd)



COMPONENT INSPECTION

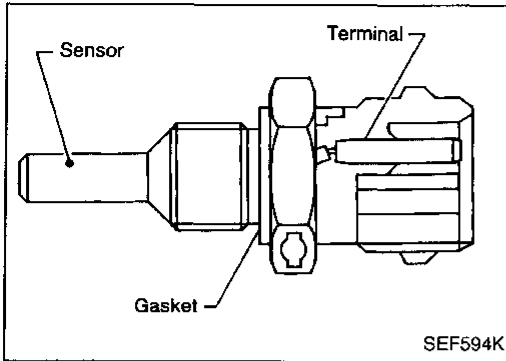
Throttle position sensor

1. Disconnect throttle position sensor harness connector.
2. Make sure that resistance between terminals ② and ③ changes when opening throttle valve manually.

Throttle valve conditions	Resistance [at 25°C (77°F)]
Completely closed	Approximately 0.5 kΩ
Partially open	0.5 - 4 kΩ
Completely open	Approximately 4 kΩ

If NG, replace throttle position sensor.
To adjust it, perform "Basic Inspection", EC-73.

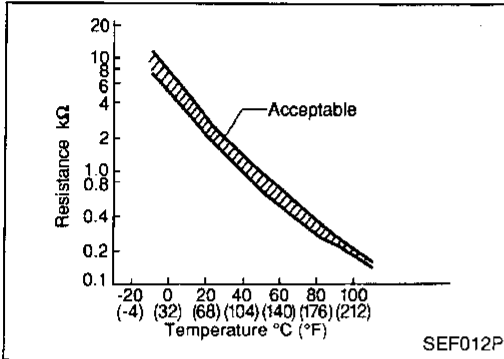
TROUBLE DIAGNOSIS FOR DTC P0125



Engine Coolant Temperature (ECT) Sensor

COMPONENT DESCRIPTION

The engine coolant temperature sensor is used to detect the engine coolant temperature. The sensor modifies a voltage signal from the ECM. The modified signal returns to the ECM as the engine coolant temperature input. The sensor uses a thermistor which is sensitive to the change in temperature. The electrical resistance of the thermistor decreases as temperature increases.



<Reference data>

Engine coolant temperature °C (°F)	Voltage* V	Resistance kΩ
-10 (14)	4.4	7.0 - 11.4
20 (68)	3.5	2.1 - 2.9
50 (122)	2.2	0.68 - 1.00
90 (194)	0.9	0.236 - 0.260

*: These data are reference values and are measured between ECM terminal ⑤ (Engine coolant temperature sensor) and ECM terminal ④ (ECCS ground).

ON BOARD DIAGNOSIS LOGIC

Diagnostic Trouble Code No.	Malfunction is detected when ...	Check Items (Possible Cause)
P0125 0908	<ul style="list-style-type: none"> • Voltage sent to ECM from the sensor is not practical, even when some time has passed after starting the engine. • Engine coolant temperature is insufficient for closed loop fuel control. 	<ul style="list-style-type: none"> • Harness or connectors (High resistance in the circuit) • Engine coolant temperature sensor • Thermostat

TROUBLE DIAGNOSIS FOR DTC P0125

Engine Coolant Temperature (ECT) Sensor (Cont'd)

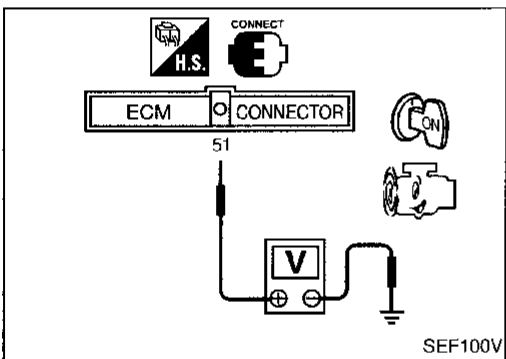
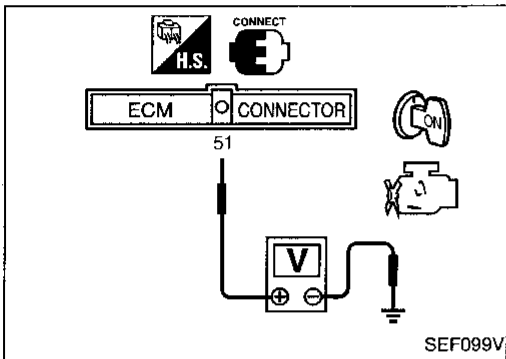
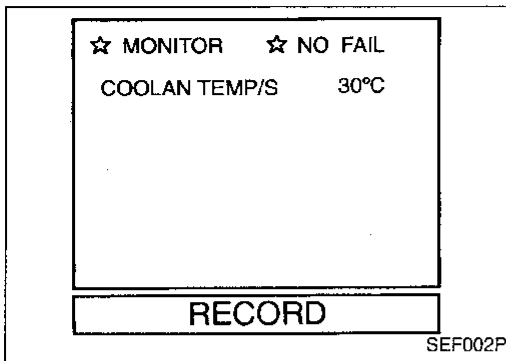
DIAGNOSTIC TROUBLE CODE CONFIRMATION PROCEDURE

CAUTION:

Be careful not to overheat engine.

NOTE:

- If both DTC P0115 (0103) and P0125 (0908) are displayed, first perform "TROUBLE DIAGNOSIS FOR DTC P0115". Refer to EC-125.
- If "DIAGNOSTIC TROUBLE CODE CONFIRMATION PROCEDURE" has been previously conducted, always turn ignition switch "OFF" and wait at least 5 seconds before conducting the next test.



- 1) Turn ignition switch "ON".
- 2) Select "DATA MONITOR" mode with CONSULT.
- 3) Check that "COOLAN TEMP/S" is above 10°C. (50°F)
If it is above 10°C, the test result will be OK.
If it is below 10°C, go to following step.
- 4) Start engine and run it for 65 minutes at idle speed.
If "COOLAN TEMP/S" increases to more than 10°C (50°F) within 65 minutes, stop engine because the test result will be OK.

OR



- 1) Turn ignition switch "ON".
- 2) Select "Mode 1" with GST.
- 3) Check that engine coolant temperature is above 10°C (50°F).
If it is above 10°C (50°F), the test result will be OK.
If it is below 10°C (50°F), go to following step.
- 4) Start engine and run it for 65 minutes at idle speed.
If engine coolant temperature increases to more than 10°C (50°F) within 65 minutes, stop engine because the test result will be OK.
- 5) Select "MODE 7" with GST.

OR

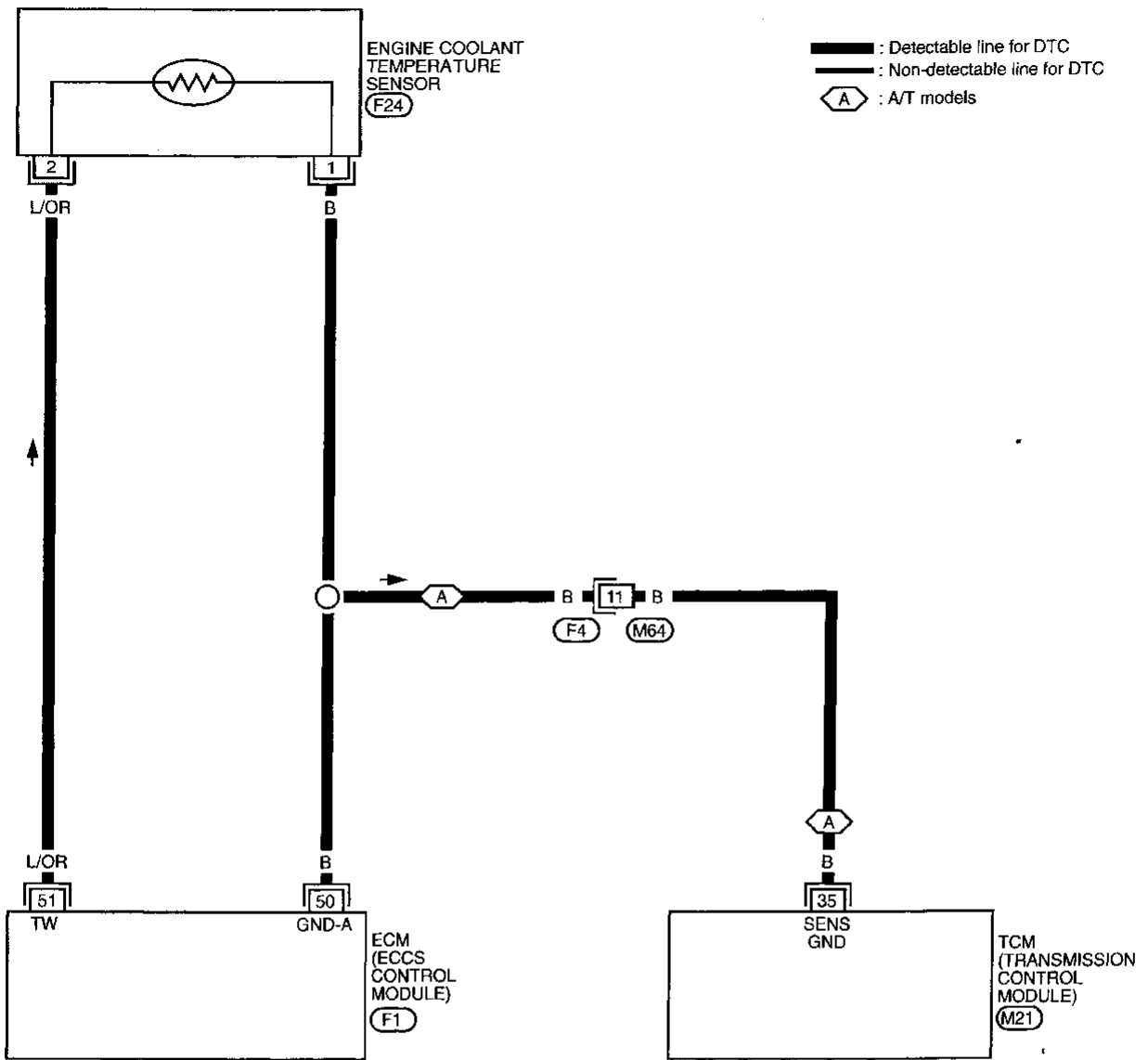


- 1) Turn ignition switch "ON".
- 2) Check that voltage between ECM terminal ⑤ and ground is less than 3.8V.
If it is less than 3.8V, the test result will be OK.
If it is over 3.8V, go to following step.
- 3) Start engine and run it for 65 minutes at idle speed and measuring voltage between ECM terminal ⑤ and ground.
If the voltage decreases to less than 3.8V within 65 minutes, stop engine because the test result will be OK.
- 4) Turn ignition switch "OFF", wait at least 5 seconds and then turn "ON".
- 5) Perform "Diagnostic Test Mode II (Self-diagnostic results)" with ECM.

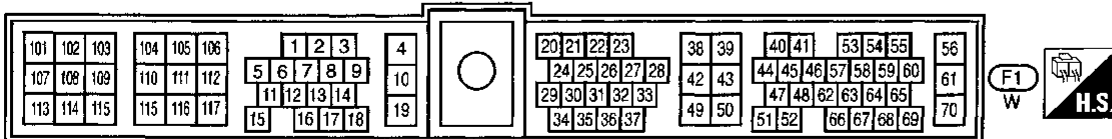
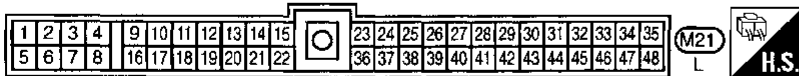
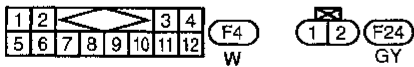
TROUBLE DIAGNOSIS FOR DTC P0125

Engine Coolant Temperature (ECT) Sensor (Cont'd)

EC-ECTS-01



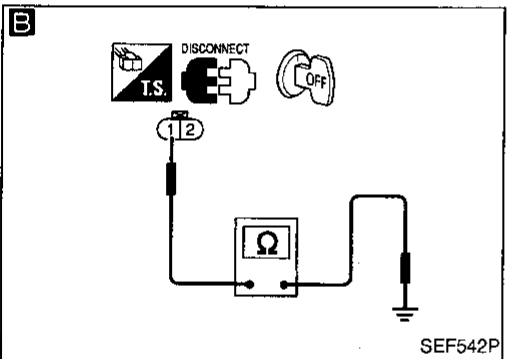
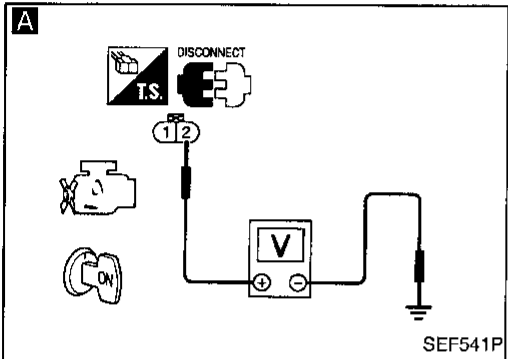
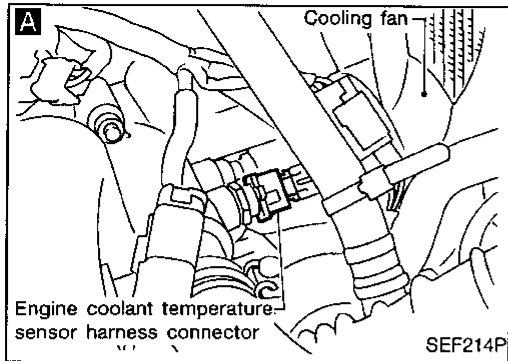
GI
MA
EM
LC
EC
FE
CL
MT
AT
PD
FA
RA
BR
ST
RS
BT
HA
EL
IDX



TROUBLE DIAGNOSIS FOR DTC P0125

Engine Coolant Temperature (ECT) Sensor (Cont'd)

DIAGNOSTIC PROCEDURE



INSPECTION START

A
CHECK POWER SUPPLY.
 1. Turn ignition switch "OFF".
 2. Disconnect engine coolant temperature sensor harness connector.
 3. Turn ignition switch "ON".
 4. Check voltage between terminal ② and ground with CONSULT or tester.
Voltage:
Approximately 5V

NG
 Check the following.
 ● Harness for open or short between ECM and engine coolant temperature sensor
 ● Harness for open or short between TCM and engine coolant temperature sensor

B
CHECK GROUND CIRCUIT.
 1. Turn ignition switch "OFF".
 2. Check harness continuity between terminal ① and engine ground.
Continuity should exist.
 If OK, check harness for short to ground and short to power.

NG
 Check the following.
 ● Harness connectors (F4), (M64)
 ● Harness for open or short between ECM and engine coolant temperature sensor
 ● Harness for open or short between TCM and engine coolant temperature sensor
 If NG, repair open circuit or short to ground or short to power in harness or connectors.

CHECK COMPONENT
 (Engine coolant temperature sensor).
 Refer to "COMPONENT INSPECTION" on next page.

NG
 Replace engine coolant temperature sensor.

Check thermostat operation.
 When the engine is cooled [lower than 76.5°C (170°F)], grasp lower radiator hose and confirm the engine coolant is not flowing.

NG
CHECK COMPONENT
 (Thermostat).
 Refer to LC section ("Thermostat").
 If NG, replace it.

Perform "TROUBLE DIAGNOSIS FOR INTERMITTENT INCIDENT", EC-96.

INSPECTION END

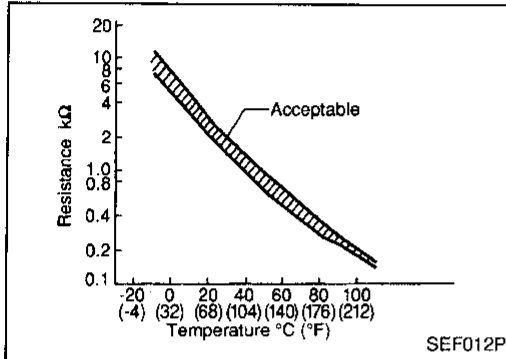
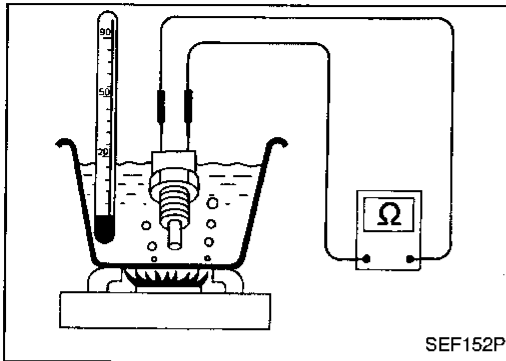
TROUBLE DIAGNOSIS FOR DTC P0125

Engine Coolant Temperature (ECT) Sensor (Cont'd)

COMPONENT INSPECTION

Engine coolant temperature sensor

Check resistance as shown in the figure.



<Reference data>

Temperature °C (°F)	Resistance kΩ
20 (68)	2.1 - 2.9
50 (122)	0.68 - 1.0
90 (194)	0.236 - 0.260

If NG, replace engine coolant temperature sensor.

GI

MA

EM

LC

EC

FE

CL

MT

AT

PD

FA

RA

BR

ST

RS

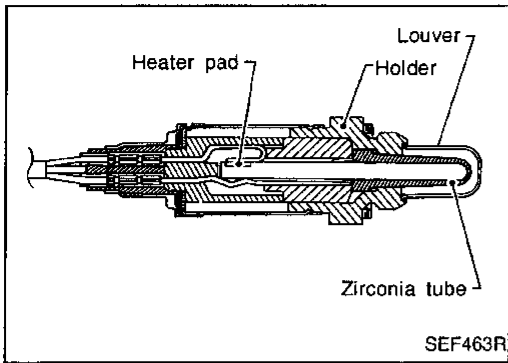
BT

HA

EL

IDX

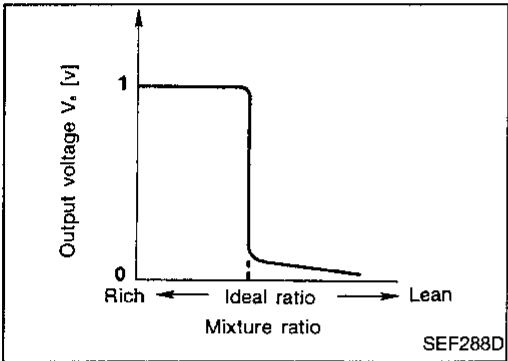
TROUBLE DIAGNOSIS FOR DTC P0130



Front Heated Oxygen Sensor (Circuit) (Front HO2S)

COMPONENT DESCRIPTION

The front heated oxygen sensor is placed into the exhaust manifold. It detects the amount of oxygen in the exhaust gas compared to the outside air. The front heated oxygen sensor has a closed-end tube made of ceramic zirconia. The zirconia generates voltage from approximately 1V in richer conditions to 0V in leaner conditions. The front heated oxygen sensor signal is sent to the ECM. The ECM adjusts the injection pulse duration to achieve the ideal air-fuel ratio. The ideal air-fuel ratio occurs near the radical change from 1V to 0V.



CONSULT REFERENCE VALUE IN DATA MONITOR MODE

Specification data are reference values.

MONITOR ITEM	CONDITION		SPECIFICATION
FR O2 SENSOR FR O2 MNTR	• Engine: After warming up	Maintaining engine speed at 2,000 rpm	0 - 0.3V ↔ Approx. 0.6 - 1.0V LEAN ↔ RICH Changes more than 5 times during 10 seconds.

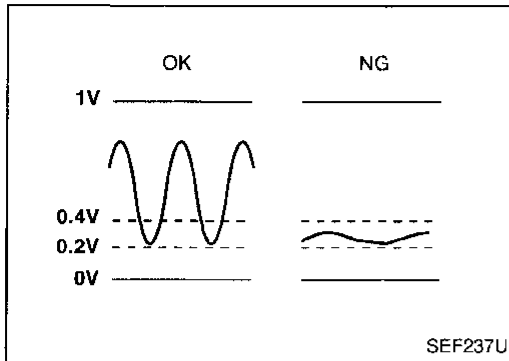
ECM TERMINALS AND REFERENCE VALUE

Specification data are reference values and are measured between each terminal and Ⓞ (ECCS ground).

TER-MINAL NO.	WIRE COLOR	ITEM	CONDITION	DATA (DC Voltage)
46	W	Front heated oxygen sensor	<div style="border: 1px solid black; padding: 2px; display: inline-block;">Engine is running.</div> After warming up to normal operating temperature and engine speed is 2,000 rpm	0 - Approximately 1.0V

TROUBLE DIAGNOSIS FOR DTC P0130

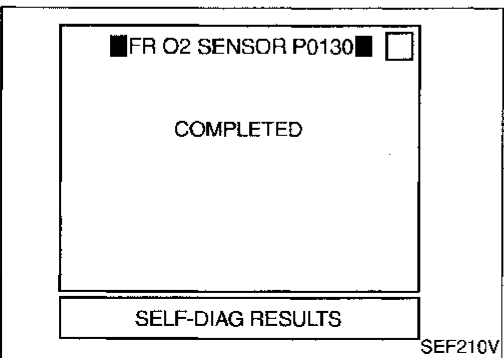
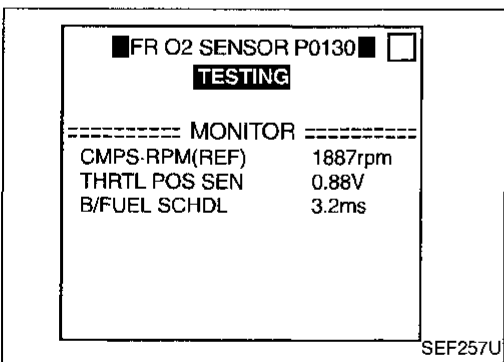
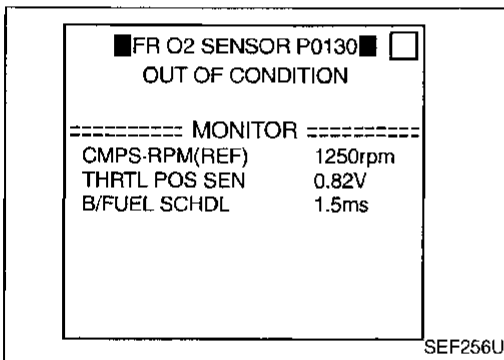
Front Heated Oxygen Sensor (Circuit) (Front HO2S) (Cont'd)



ON BOARD DIAGNOSIS LOGIC

Under the condition in which the front heated oxygen sensor signal is not input, the ECM circuits will read a continuous approximately 0.3V. Therefore, for this diagnosis, the time that output voltage is within 200 to 400 mV range is monitored, and the diagnosis checks that this time is not inordinately long.

Diagnostic Trouble Code No.	Malfunction is detected when ...	Check Items (Possible Cause)
P0130 0303	<ul style="list-style-type: none"> The voltage from the sensor is constantly approx. 0.3V. 	<ul style="list-style-type: none"> Harness or connectors (The sensor circuit is open or shorted.) Front heated oxygen sensor



DIAGNOSTIC TROUBLE CODE CONFIRMATION PROCEDURE

CAUTION:

Always drive vehicle at a safe speed.

NOTE:

If "DIAGNOSTIC TROUBLE CODE CONFIRMATION PROCEDURE" has been previously conducted, always turn ignition switch "OFF" and wait at least 5 seconds before conducting the next test.

TESTING CONDITION:

- Always perform at a temperature of more than -10°C (14°F).
- Before performing the following procedure, confirm that battery voltage is more than 11V at idle.
- Never raise engine speed above 4,400 rpm during the "DIAGNOSTIC TROUBLE CODE CONFIRMATION PROCEDURE". If the engine speed limit is exceeded, retry the procedure from step 2).



- Start engine and warm it up to normal operating temperature.
- Stop engine and wait at least 5 seconds.
- Turn ignition switch "ON" and select "FR O2 SENSOR P0130" of "FRONT O2 SENSOR" in "DTC WORK SUPPORT" mode with CONSULT.
- Touch "START".
- Start engine and let it idle for at least 3 minutes.
- When the following conditions are met, "TESTING" will be displayed on the CONSULT screen. Maintain the conditions continuously until "TESTING" changes to "COMPLETED". (It will take approximately 10 to 60 seconds.)

CMPS-RPM (REF): 1,900 - 3,000 rpm

Vehicle speed: 70 - 100 km/h (43 - 62 MPH)

B/FUEL SCHDL: 1 - 4.5 ms

Selector lever: Suitable position

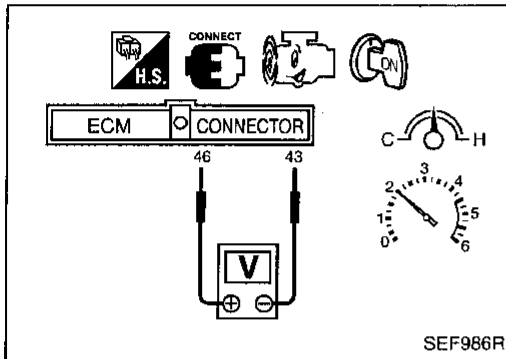
TROUBLE DIAGNOSIS FOR DTC P0130

Front Heated Oxygen Sensor (Circuit) (Front HO2S) (Cont'd)

If "TESTING" is not displayed after 5 minutes, retry from step 2).

7) Make sure that "OK" is displayed after touching "SELF-DIAG RESULTS". If "NG" is displayed, refer to "DIAGNOSTIC PROCEDURE", EC-150.

During this test, P1148 may be stored in ECM.



OR OVERALL FUNCTION CHECK

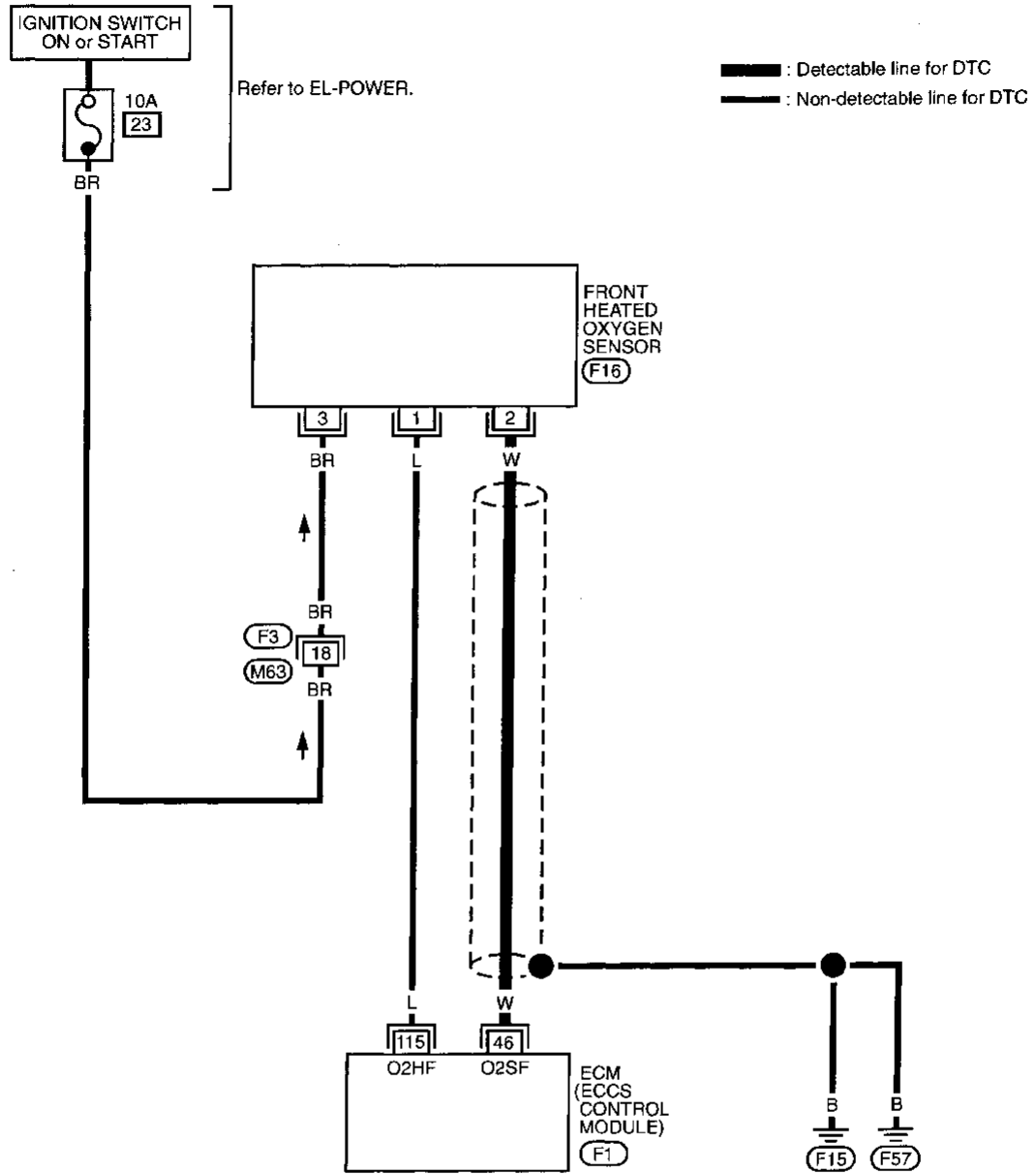
Use this procedure to check the overall function of the front heated oxygen sensor circuit. During this check, a 1st trip DTC might not be confirmed.

- 1) Start engine and warm it up to normal operating temperature.
- 2) Set voltmeter probes between ECM terminal ④⑥ (sensor signal) and ④③ (engine ground).
- 3) Check the following with engine speed held at 2,000 rpm constant under no load.
 - The voltage does not remain in the range of 0.2 - 0.4V.

TROUBLE DIAGNOSIS FOR DTC P0130

Front Heated Oxygen Sensor (Circuit) (Front HO2S) (Cont'd)

EC-FRO2-01



GI

MA

EM

LC

EC

FE

CL

MT

AT

PD

FA

RA

BR

ST

RS

BT

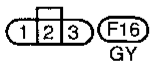
HA

EL

IDX

Refer to last page (Foldout page).

M63, F3

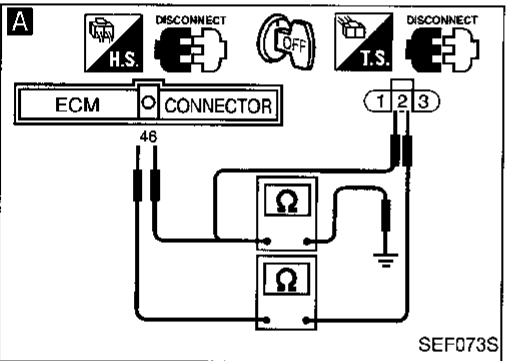
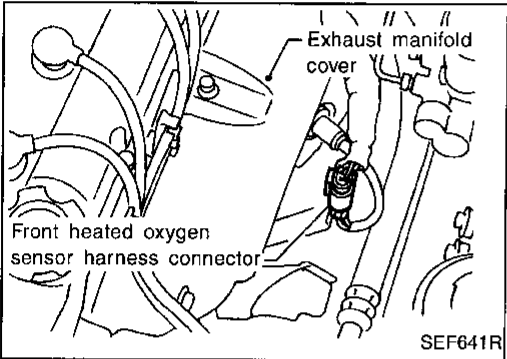
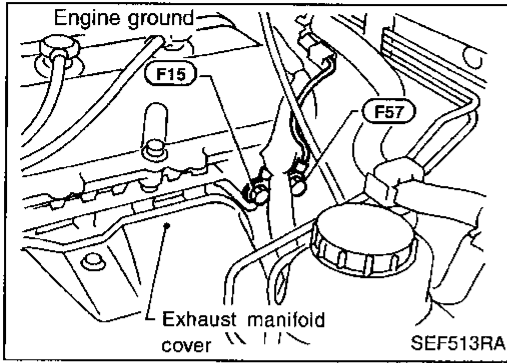


101	102	103	104	105	106	1	2	3	4	20	21	22	23	38	39	40	41	53	54	55	56										
107	108	109	110	111	112	5	6	7	8	9	11	12	13	14	24	25	26	27	28	44	45	46	47	48	49	50	57	58	59	60	61
113	114	115	116	117	118	15	16	17	18	29	30	31	32	33	42	43	47	48	62	63	64	65	66	67	68	69	70				
										34	35	36	37	49	50	51	52	66	67	68	69										

TROUBLE DIAGNOSIS FOR DTC P0130

Front Heated Oxygen Sensor (Circuit) (Front HO2S) (Cont'd)

DIAGNOSTIC PROCEDURE



INSPECTION START

1. Turn ignition switch "OFF".
2. Loosen and retighten engine ground screws.

A

CHECK INPUT SIGNAL CIRCUIT.

1. Disconnect front heated oxygen sensor harness connector and ECM harness connector.
2. Check harness continuity between ECM terminal ④ and terminal ② .
Continuity should exist.
3. Check harness continuity between ECM terminal ④ (or terminal ②) and ground.
Continuity should not exist.

If OK, check harness for short to ground and short to power.

NG → Repair harness or connectors.

OK

CHECK COMPONENT
(Front heated oxygen sensor).
Refer to "COMPONENT INSPECTION" on next page.

NG → Replace front heated oxygen sensor.

OK

Perform "TROUBLE DIAGNOSIS FOR INTERMITTENT INCIDENT", EC-96.

INSPECTION END

TROUBLE DIAGNOSIS FOR DTC P0130

Front Heated Oxygen Sensor (Circuit) (Front HO2S) (Cont'd)

COMPONENT INSPECTION

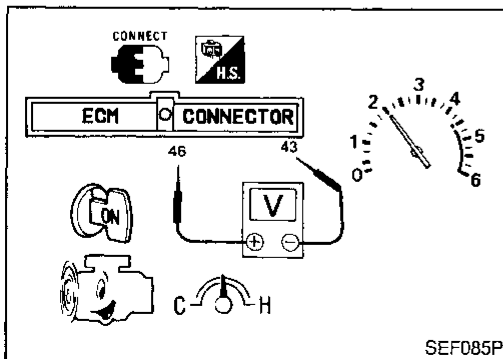
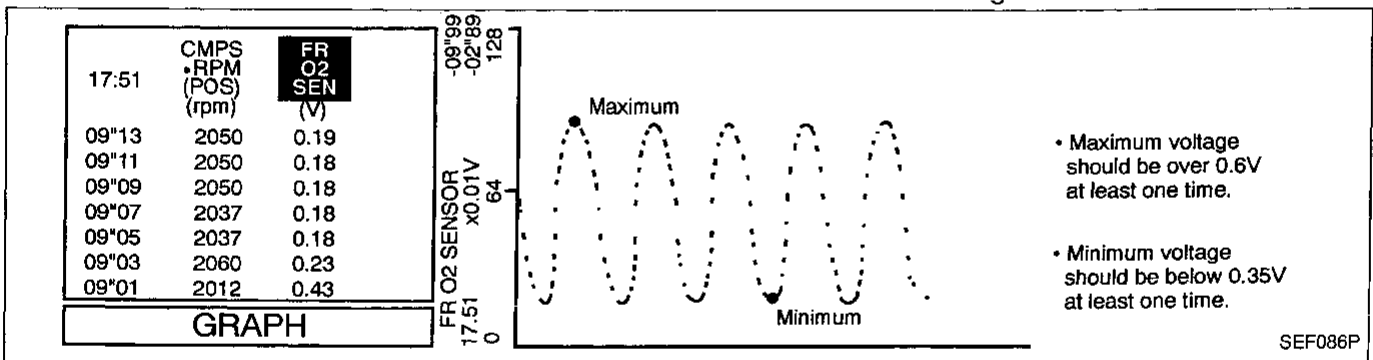
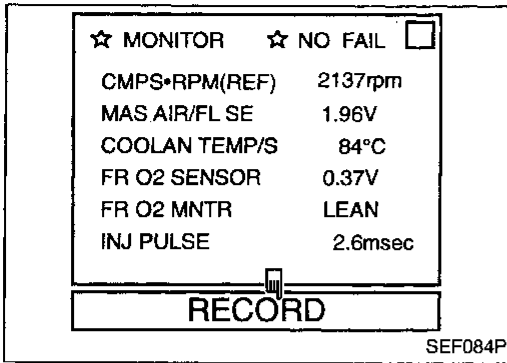
Front heated oxygen sensor

- 1) Start engine and warm it up to normal operating temperature.
 - 2) Select "MANU TRIG" and "HI SPEED" in "DATA MONITOR" mode with CONSULT, and select "FR O2 SENSOR" and "FR O2 MNTR".
 - 3) Hold engine speed at 2,000 rpm under no load during the following steps.
 - 4) Touch "RECORD" on CONSULT screen.
 - 5) Check the following.
 - "FR O2 MNTR" in "DATA MONITOR" mode changes from "RICH" to "LEAN" to "RICH" 5 times in 10 seconds.
- 5 times (cycles) are counted as shown below:

cycle | 1 | 2 | 3 | 4 | 5 |
FR O2 MNTR R-L-R-L-R-L-R-L-R-L-R

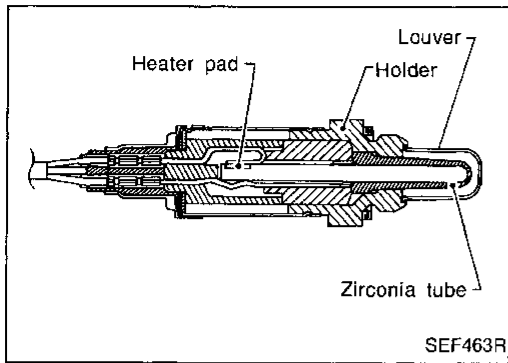
R = "FR O2 MNTR", "RICH"
L = "FR O2 MNTR", "LEAN"

- "FR O2 SENSOR" voltage goes above 0.6V at least once.
- "FR O2 SENSOR" voltage goes below 0.35V at least once.
- "FR O2 SENSOR" voltage never exceeds 1.0V.



- OR
- 1) Start engine and warm it up to normal operating temperature.
 - 2) Set voltmeter probes between ECM terminal ④⑥ (sensor signal) and ④③ (engine ground).
 - 3) Check the following with engine speed held at 2,000 rpm constant under no load.
 - Malfunction indicator lamp goes on more than 5 times within 10 seconds in Diagnostic Test Mode II (FRONT HEATED OXYGEN SENSOR MONITOR).
 - The maximum voltage is over 0.6V at least one time.
 - The minimum voltage is below 0.35V at least one time.
 - The voltage never exceeds 1.0V.

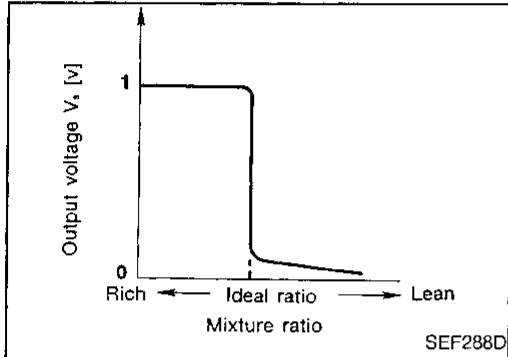
TROUBLE DIAGNOSIS FOR DTC P0131



Front Heated Oxygen Sensor (Lean Shift Monitoring) (Front HO2S)

COMPONENT DESCRIPTION

The front heated oxygen sensor is placed into the exhaust manifold. It detects the amount of oxygen in the exhaust gas compared to the outside air. The front heated oxygen sensor has a closed-end tube made of ceramic zirconia. The zirconia generates voltage from approximately 1V in richer conditions to 0V in leaner conditions. The front heated oxygen sensor signal is sent to the ECM. The ECM adjusts the injection pulse duration to achieve the ideal air-fuel ratio. The ideal air-fuel ratio occurs near the radical change from 1V to 0V.



CONSULT REFERENCE VALUE IN DATA MONITOR MODE

Specification data are reference values.

MONITOR ITEM	CONDITION		SPECIFICATION
FR O2 SENSOR FR O2 MNTR	• Engine: After warming up	Maintaining engine speed at 2,000 rpm	0 - 0.3V ↔ Approx. 0.6 - 1.0V LEAN ↔ RICH Changes more than 5 times during 10 seconds.

ECM TERMINALS AND REFERENCE VALUE

Specification data are reference values and are measured between each terminal and Ⓧ (ECCS ground).

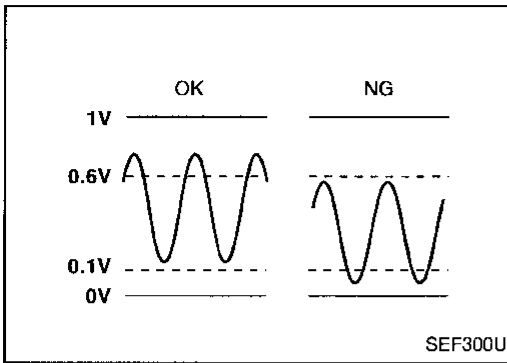
TER-MINAL NO.	WIRE COLOR	ITEM	CONDITION	DATA (DC Voltage)
46	W	Front heated oxygen sensor	<div style="border: 1px solid black; padding: 2px; display: inline-block;">Engine is running.</div> After warming up to normal operating temperature and engine speed is 2,000 rpm	0 - Approximately 1.0V

TROUBLE DIAGNOSIS FOR DTC P0131

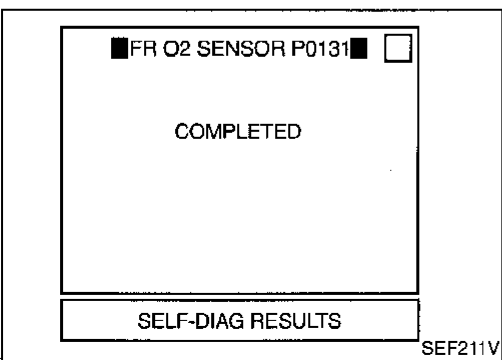
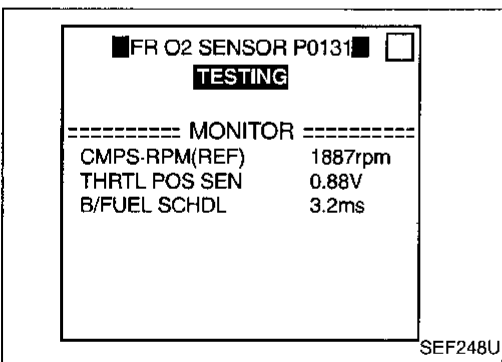
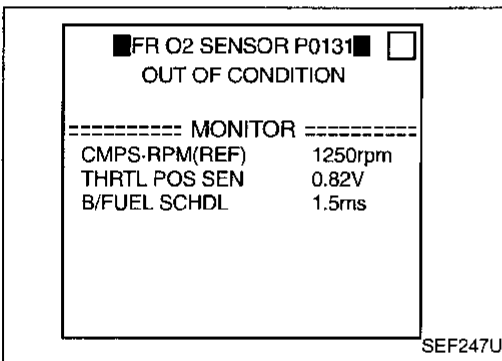
Front Heated Oxygen Sensor (Lean Shift Monitoring) (Front HO2S) (Cont'd)

ON BOARD DIAGNOSIS LOGIC

To judge the malfunction, the output from the front heated oxygen sensor is monitored to determine whether the "rich" output is sufficiently high and whether the "lean" output is sufficiently low. When both the outputs are shifting to the lean side, the malfunction will be detected.



Diagnostic Trouble Code No.	Malfunction is detected when ...	Check Items (Possible Cause)
P0131 0411	<ul style="list-style-type: none"> The maximum and minimum voltages from the sensor are not reached to the specified voltages. 	<ul style="list-style-type: none"> Front heated oxygen sensor Front heated oxygen sensor heater Fuel pressure Injectors Intake air leaks



DIAGNOSTIC TROUBLE CODE CONFIRMATION PROCEDURE

CAUTION:

Always drive vehicle at a safe speed.

NOTE:

If "DIAGNOSTIC TROUBLE CODE CONFIRMATION PROCEDURE" has been previously conducted, always turn ignition switch "OFF" and wait at least 5 seconds before conducting the next test.

TESTING CONDITION:

- Always perform at a temperature of more than -10°C (14°F).
- Before performing the following procedure, confirm that battery voltage is more than 11V at idle.
- Never raise engine speed above 4,400 rpm during the "DIAGNOSTIC TROUBLE CODE CONFIRMATION PROCEDURE". If the engine speed limit is exceeded, retry the procedure from step 2).



- Start engine and warm it up to normal operating temperature.
- Stop engine and wait at least 5 seconds.
- Turn ignition switch "ON" and select "FR O2 SENSOR P0131" of "FRONT O2 SENSOR" in "DTC WORK SUPPORT" mode with CONSULT.
- Touch "START".
- Start engine and let it idle for at least 3 minutes.
- When the following conditions are met, "TESTING" will be displayed on the CONSULT screen. Maintain the conditions continuously until "TESTING" changes to "COMPLETED". (It will take approximately 20 seconds.)

CMPS-RPM (REF): 1,800 - 2,600 rpm (A/T)
1,900 - 2,600 rpm (M/T)

Vehicle speed: 78 - 100 km/h (48 - 62 MPH)

B/FUEL SCHDL: 2 - 4.5 ms

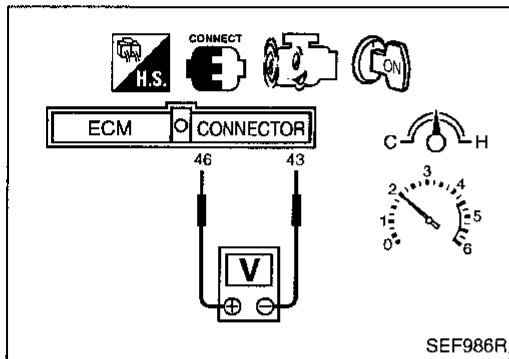
Selector lever: Suitable position

TROUBLE DIAGNOSIS FOR DTC P0131

Front Heated Oxygen Sensor (Lean Shift Monitoring) (Front HO2S) (Cont'd)

If "TESTING" is not displayed after 5 minutes, retry from step 2).

- 7) Make sure that "OK" is displayed after touching "SELF-DIAG RESULTS". If "NG" is displayed, refer to "DIAGNOSTIC PROCEDURE", EC-155.



OR

OVERALL FUNCTION CHECK

Use this procedure to check the overall function of the front heated oxygen sensor circuit. During this check, a 1st trip DTC might not be confirmed.

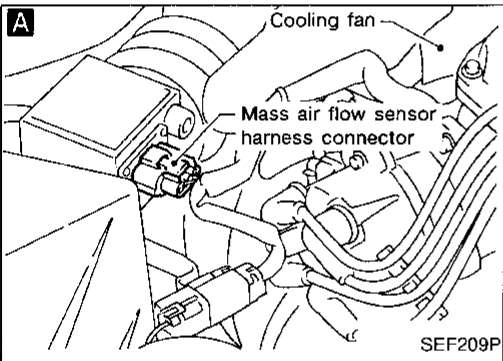
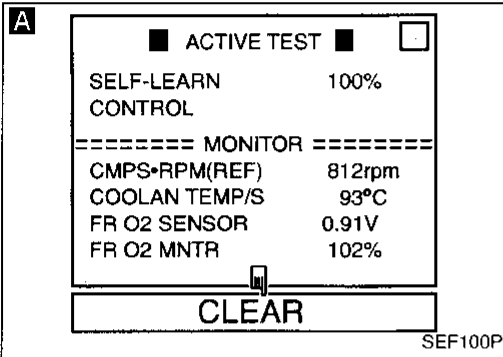
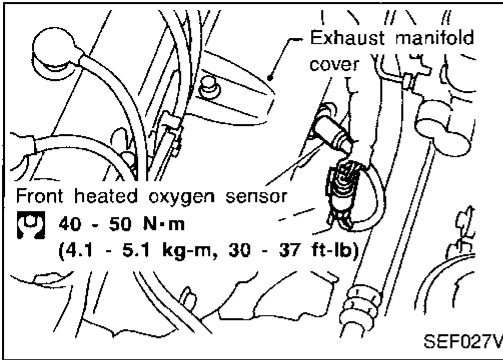


- 1) Start engine and warm it up to normal operating temperature.
 - 2) Set voltmeter probes between ECM terminal ④⑥ (sensor signal) and ④③ (engine ground).
 - 3) Check the following with engine speed held at 2,000 rpm constant under no load.
 - The maximum voltage is over 0.6V at least one time.
- OR
- The minimum voltage is over 0.1V at least one time.

TROUBLE DIAGNOSIS FOR DTC P0131

Front Heated Oxygen Sensor (Lean Shift Monitoring) (Front HO2S) (Cont'd)

DIAGNOSTIC PROCEDURE



INSPECTION START

Loosen and retighten front heated oxygen sensor.
Tightening torque:
 40 - 50 N·m
 (4.1 - 5.1 kg-m, 30 - 37 ft-lb)

A
CLEAR THE SELF-LEARNING DATA.
 1. Start engine and warm it up to normal operating temperature.
 2. Select "SELF-LEARNING CONT" in "ACTIVE TEST" mode with CONSULT.
 3. Clear the self-learning control coefficient by touching "CLEAR".
 4. Run engine for at least 10 minutes at idle speed.
Is the 1st trip DTC P0171 detected? Is it difficult to start engine?

Yes → Go to "TROUBLE DIAGNOSIS FOR DTC P0171", EC-210.

OR
 2. Turn ignition switch "OFF".
 3. Disconnect mass air flow sensor harness connector, and restart and run engine for at least 3 seconds at idle speed.
 4. Stop engine and reconnect mass air flow sensor harness connector.
 5. Make sure diagnostic trouble code No. 0102 is displayed in Diagnostic Test Mode II.
 6. Erase the diagnostic test mode II (Self-diagnostic results) memory. Make sure diagnostic trouble code No. 0505 is displayed in Diagnostic Test Mode II.
 7. Run engine for at least 10 minutes at idle speed.
Is the 1st trip DTC 0115 detected? Is it difficult to start engine?

No
CHECK COMPONENT
 (Front heated oxygen sensor heater). Refer to "COMPONENT INSPECTION" on next page.

NG → Replace front heated oxygen sensor.

OK
 A

GI

MA

EM

LC

EC

FE

CL

MT

AT

PD

FA

RA

BR

ST

RS

BT

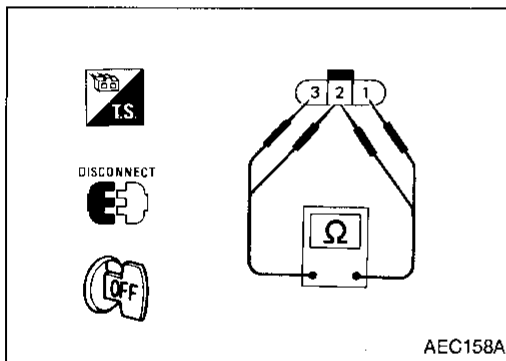
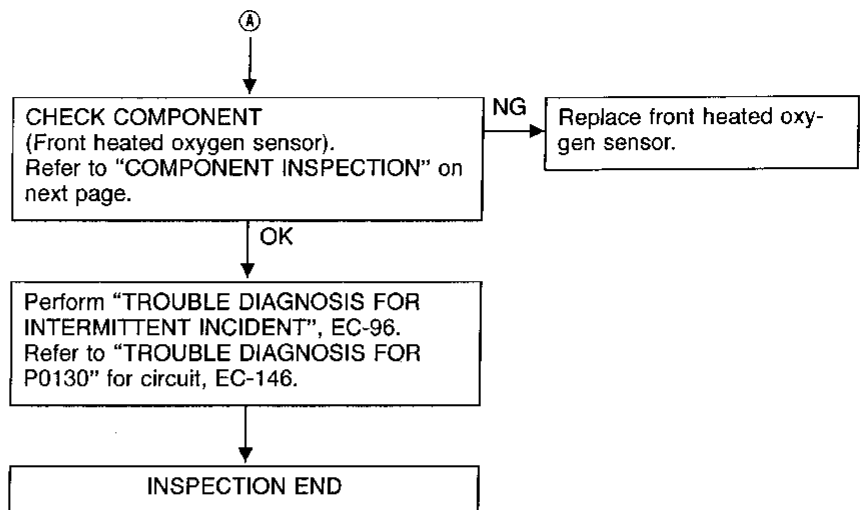
HA

EL

IDX

TROUBLE DIAGNOSIS FOR DTC P0131

Front Heated Oxygen Sensor (Lean Shift Monitoring) (Front HO2S) (Cont'd)



COMPONENT INSPECTION

Front heated oxygen sensor heater

Check resistance between terminals ③ and ①.

Resistance: 2.3 - 4.3Ω at 25°C (77°F)

Check continuity between terminals ② and ①, ③ and ②.

Continuity should not exist.

If NG, replace the front heated oxygen sensor.

CAUTION:

Discard any heated oxygen sensor which has been dropped from a height of more than 0.5 m (19.7 in) onto a hard surface such as a concrete floor; use a new one.

TROUBLE DIAGNOSIS FOR DTC P0131

Front Heated Oxygen Sensor (Lean Shift Monitoring) (Front HO2S) (Cont'd)

☆ MONITOR	☆ NO FAIL	<input type="checkbox"/>
CMPS•RPM(REF)	2137rpm	
MAS AIR/FL SE	1.96V	
COOLAN TEMP/S	84°C	
FR O2 SENSOR	0.37V	
FR O2 MNTR	LEAN	
INJ PULSE	2.6msec	
RECORD		

SEF084P

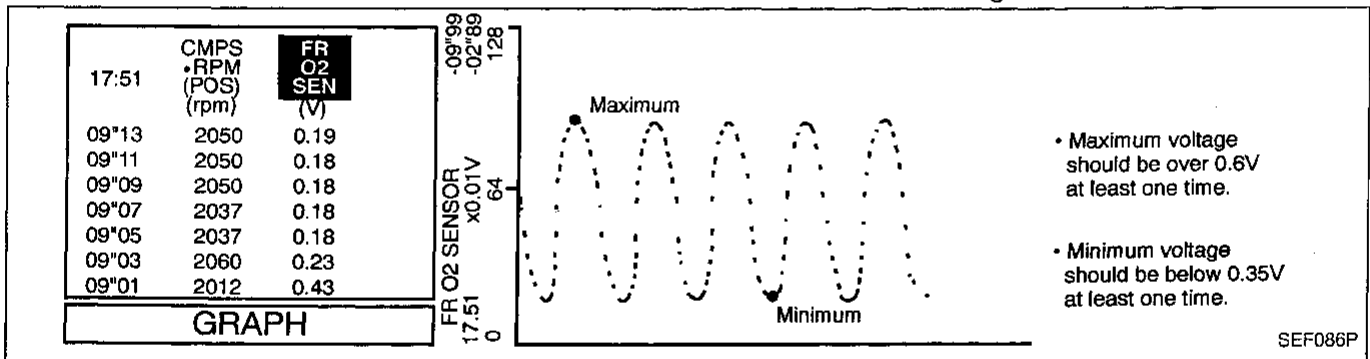
Front heated oxygen sensor

- 1) Start engine and warm it up to normal operating temperature.
 - 2) Select "MANU TRIG" and "HI SPEED" in "DATA MONITOR" mode with CONSULT, and select "FR O2 SENSOR" and "FR O2 MNTR".
 - 3) Hold engine speed at 2,000 rpm under no load during the following steps.
 - 4) Touch "RECORD" on CONSULT screen.
 - 5) Check the following.
 - "FR O2 MNTR" in "DATA MONITOR" mode changes from "RICH" to "LEAN" to "RICH" 5 times in 10 seconds.
- 5 times (cycles) are counted as shown below:

cycle | 1 | 2 | 3 | 4 | 5 |
FR O2 MNTR R-L-R-L-R-L-R-L-R-L-R

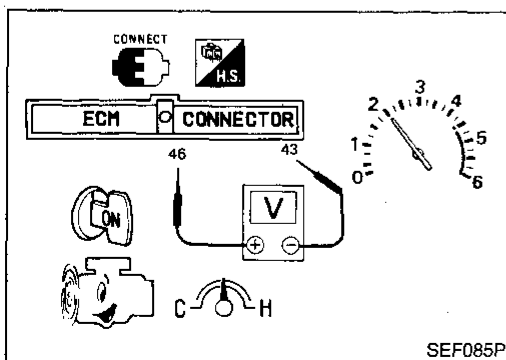
R = "FR O2 MNTR", "RICH"
L = "FR O2 MNTR", "LEAN"

- "FR O2 SENSOR" voltage goes above 0.6V at least once.
- "FR O2 SENSOR" voltage goes below 0.35V at least once.
- "FR O2 SENSOR" voltage never exceeds 1.0V.



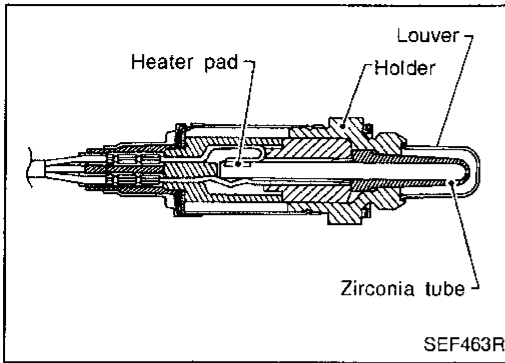
• Maximum voltage should be over 0.6V at least one time.

• Minimum voltage should be below 0.35V at least one time.



- 1) Start engine and warm it up to normal operating temperature.
- 2) Set voltmeter probes between ECM terminal ④⑥ (sensor signal) and ④③ (engine ground).
- 3) Check the following with engine speed held at 2,000 rpm constant under no load.
 - Malfunction indicator lamp goes on more than 5 times within 10 seconds in Diagnostic Test Mode II (FRONT HEATED OXYGEN SENSOR MONITOR).
 - The maximum voltage is over 0.6V at least one time.
 - The minimum voltage is below 0.35V at least one time.
 - The voltage never exceeds 1.0V.

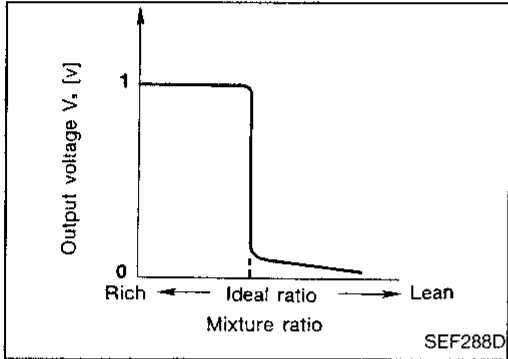
TROUBLE DIAGNOSIS FOR DTC P0132



Front Heated Oxygen Sensor (Rich Shift Monitoring) (Front HO2S)

COMPONENT DESCRIPTION

The front heated oxygen sensor is placed into the exhaust manifold. It detects the amount of oxygen in the exhaust gas compared to the outside air. The front heated oxygen sensor has a closed-end tube made of ceramic zirconia. The zirconia generates voltage from approximately 1V in richer conditions to 0V in leaner conditions. The front heated oxygen sensor signal is sent to the ECM. The ECM adjusts the injection pulse duration to achieve the ideal air-fuel ratio. The ideal air-fuel ratio occurs near the radical change from 1V to 0V.



CONSULT REFERENCE VALUE IN DATA MONITOR MODE

Specification data are reference values.

MONITOR ITEM	CONDITION		SPECIFICATION
FR O2 SENSOR FR O2 MNTR	• Engine: After warming up	Maintaining engine speed at 2,000 rpm	0 - 0.3V ↔ Approx. 0.6 - 1.0V LEAN ↔ RICH Changes more than 5 times during 10 seconds.

ECM TERMINALS AND REFERENCE VALUE

Specification data are reference values and are measured between each terminal and (43) (ECCS ground).

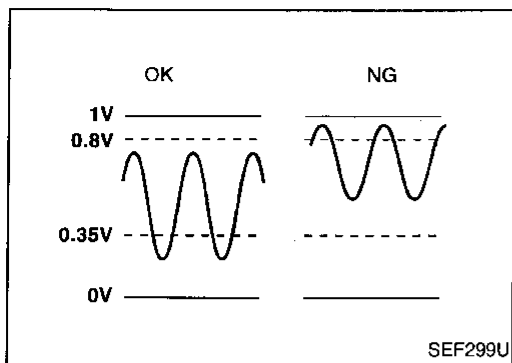
TER-MINAL NO.	WIRE COLOR	ITEM	CONDITION	DATA (DC Voltage)
46	W	Front heated oxygen sensor	<div style="border: 1px solid black; padding: 2px; display: inline-block;">Engine is running.</div> After warming up to normal operating temperature and engine speed is 2,000 rpm	0 - Approximately 1.0V

TROUBLE DIAGNOSIS FOR DTC P0132

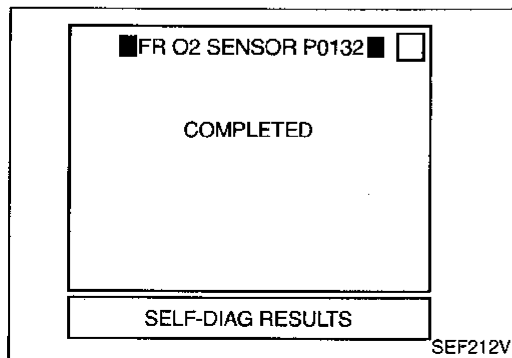
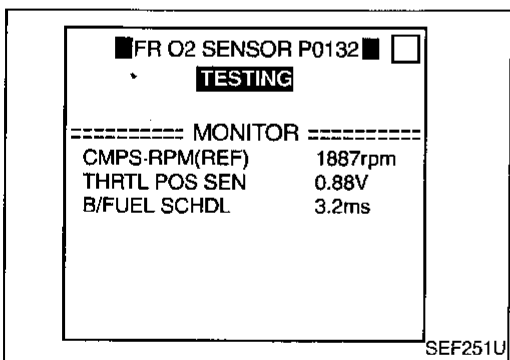
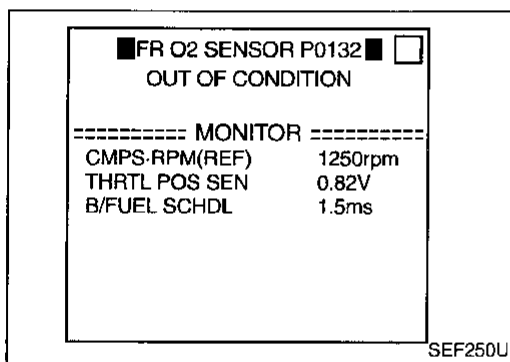
Front Heated Oxygen Sensor (Rich Shift Monitoring) (Front HO2S) (Cont'd)

ON BOARD DIAGNOSIS LOGIC

To judge the malfunction, the output from the front heated oxygen sensor is monitored to determine whether the "rich" output is sufficiently high. The "lean" output is sufficiently low. When both the outputs are shifting to the rich side, the malfunction will be detected.



Diagnostic Trouble Code No.	Malfunction is detected when ...	Check Items (Possible Cause)
P0132 0410	<ul style="list-style-type: none"> The maximum and minimum voltages from the sensor are beyond the specified voltages. 	<ul style="list-style-type: none"> Front heated oxygen sensor Front heated oxygen sensor heater Fuel pressure Injectors



DIAGNOSTIC TROUBLE CODE CONFIRMATION PROCEDURE

CAUTION:

Always drive vehicle at a safe speed.

NOTE:

If "DIAGNOSTIC TROUBLE CODE CONFIRMATION PROCEDURE" has been previously conducted, always turn ignition switch "OFF" and wait at least 5 seconds before conducting the next test.

TESTING CONDITION:

- Always perform at a temperature of more than -10°C (14°F).
- Before performing the following procedure, confirm that battery voltage is more than 11V at idle.
- Never raise engine speed above 4,400 rpm during the "DIAGNOSTIC TROUBLE CODE CONFIRMATION PROCEDURE". If the engine speed limit is exceeded, retry the procedure from step 2).



- Start engine and warm it up to normal operating temperature.
- Stop engine and wait at least 5 seconds.
- Turn ignition switch "ON" and select "FR O2 SENSOR P0132" of "FRONT O2 SENSOR" in "DTC WORK SUPPORT" mode with CONSULT.
- Touch "START".
- Start engine and let it idle for at least 3 minutes.
- When the following conditions are met, "TESTING" will be displayed on the CONSULT screen. Maintain the conditions continuously until "TESTING" changes to "COMPLETED". (It will take approximately 20 seconds.)

CMPS-RPM (REF): 1,800 - 2,600 rpm (A/T)
1,900 - 2,600 rpm (M/T)

Vehicle speed: 78 - 100 km/h (48 - 62 MPH)

B/FUEL SCHDL: 2 - 4.5 ms

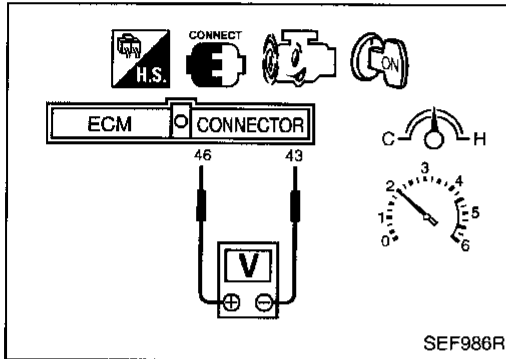
Selector lever: Suitable position

TROUBLE DIAGNOSIS FOR DTC P0132

Front Heated Oxygen Sensor (Rich Shift Monitoring) (Front HO2S) (Cont'd)

If "TESTING" is not displayed after 5 minutes, retry from step 2).

- 7) Make sure that "OK" is displayed after touching "SELF-DIAG RESULTS". If "NG" is displayed, refer to "DIAGNOSTIC PROCEDURE", EC-161.



OR OVERALL FUNCTION CHECK

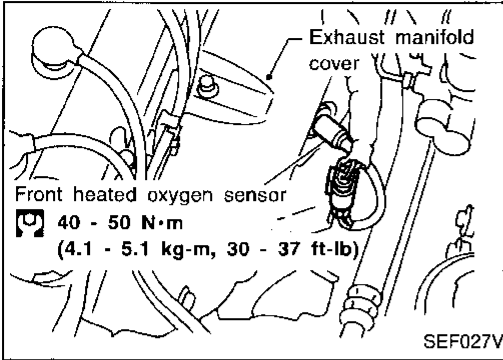
Use this procedure to check the overall function of the front heated oxygen sensor circuit. During this check, a 1st trip DTC might not be confirmed.

- 1) Start engine and warm it up to normal operating temperature.
 - 2) Set voltmeter probes between ECM terminal ④⑥ (sensor signal) and ④③ (engine ground).
 - 3) Check the following with engine speed held at 2,000 rpm constant under no load.
 - The maximum voltage is below 0.8V at least one time.
- OR
- The minimum voltage is below 0.35V at least one time.

TROUBLE DIAGNOSIS FOR DTC P0132

Front Heated Oxygen Sensor (Rich Shift Monitoring) (Front HO2S) (Cont'd)

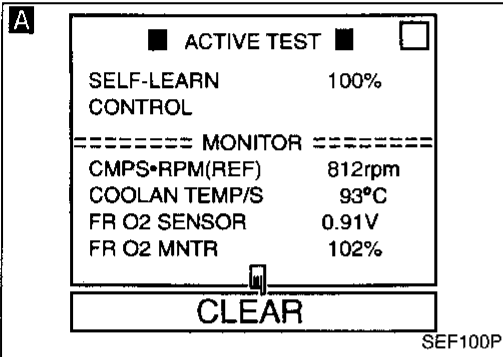
DIAGNOSTIC PROCEDURE



INSPECTION START

Loosen and retighten front heated oxygen sensor.

Tightening torque:
40 - 50 N·m
(4.1 - 5.1 kg-m, 30 - 37 ft-lb)



A

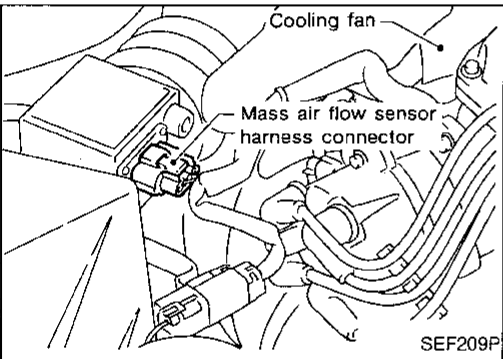
CLEAR THE SELF-LEARNING DATA

1. Start engine and warm it up to normal operating temperature.
2. Select "SELF-LEARNING CONT" in "ACTIVE TEST" mode with CONSULT.
3. Clear the self-learning control coefficient by touching "CLEAR".
4. Run engine for at least 10 minutes at idle speed.

Is the 1st trip DTC P0172 detected? Is it difficult to start engine?

Yes

Go to "TROUBLE DIAGNOSIS FOR DTC P0172", EC-215.



OR

2. Turn ignition switch "OFF".
3. Disconnect mass air flow sensor harness connector, and restart and run engine for at least 3 seconds at idle speed.
4. Stop engine and reconnect mass air flow sensor harness connector.
5. Make sure diagnostic trouble code No. 0102 is displayed in Diagnostic Test Mode II.
6. Erase the diagnostic test mode II (Self-diagnostic results) memory. Make sure diagnostic trouble code No. 0505 is displayed in Diagnostic Test Mode II.
7. Run engine for at least 10 minutes at idle speed.

Is the 1st trip DTC 0114 detected? Is it difficult to start engine?

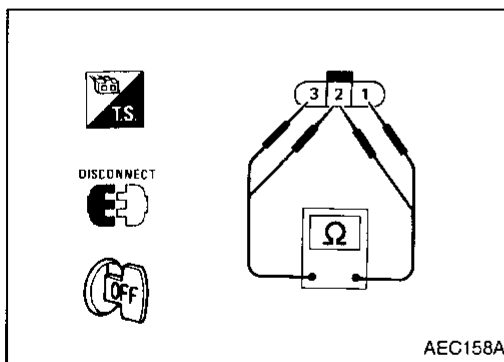
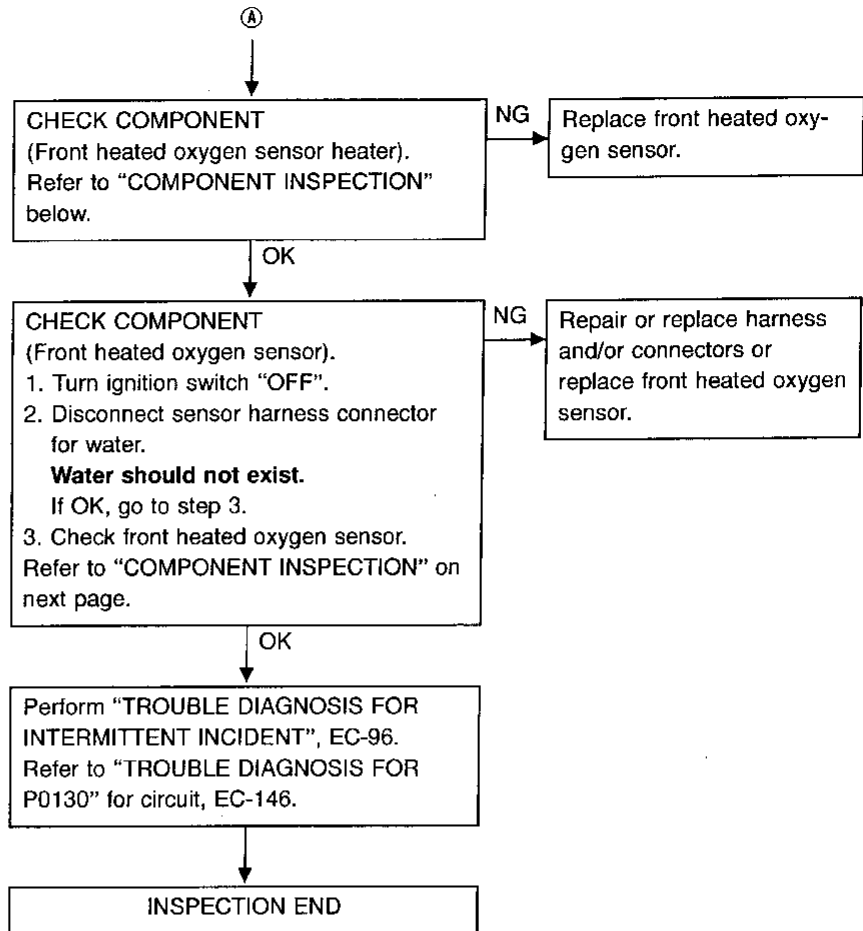
No

A

GI
MA
EM
LC
EC
FE
CL
MT
AT
PD
FA
RA
BR
ST
RS
BT
HA
EL
IDX

TROUBLE DIAGNOSIS FOR DTC P0132

Front Heated Oxygen Sensor (Rich Shift Monitoring) (Front HO2S) (Cont'd)



COMPONENT INSPECTION

Front heated oxygen sensor heater

Check resistance between terminals ③ and ① .

Resistance: 2.3 - 4.3Ω at 25°C (77°F)

Check continuity between terminals ② and ① , ③ and ② .

Continuity should not exist.

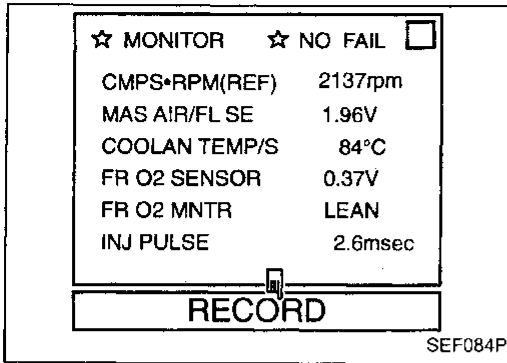
If NG, replace the front heated oxygen sensor.

CAUTION:

Discard any heated oxygen sensor which has been dropped from a height of more than 0.5 m (19.7 in) onto a hard surface such as a concrete floor; use a new one.

TROUBLE DIAGNOSIS FOR DTC P0132

Front Heated Oxygen Sensor (Rich Shift Monitoring) (Front HO2S) (Cont'd)



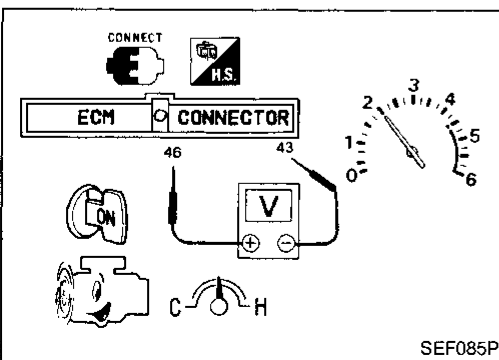
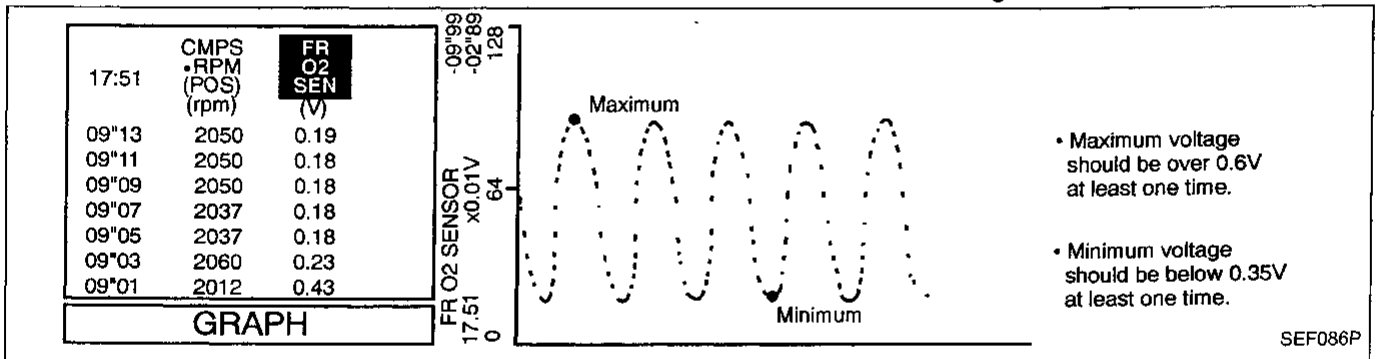
Front heated oxygen sensor

- 1) Start engine and warm it up to normal operating temperature.
 - 2) Select "MANU TRIG" and "HI SPEED" in "DATA MONITOR" mode with CONSULT, and select "FR O2 SENSOR" and "FR O2 MNTR".
 - 3) Hold engine speed at 2,000 rpm under no load during the following steps.
 - 4) Touch "RECORD" on CONSULT screen.
 - 5) Check the following.
 - "FR O2 MNTR" in "DATA MONITOR" mode changes from "RICH" to "LEAN" to "RICH" 5 times in 10 seconds.
- 5 times (cycles) are counted as shown below:

cycle | 1 | 2 | 3 | 4 | 5 |
FR O2 MNTR R-L-R-L-R-L-R-L-R-L-R

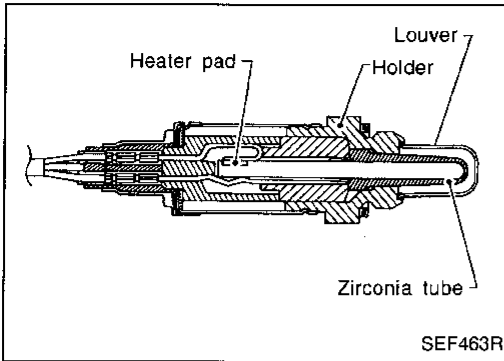
R = "FR O2 MNTR", "RICH"
L = "FR O2 MNTR", "LEAN"

- "FR O2 SENSOR" voltage goes above 0.6V at least once.
- "FR O2 SENSOR" voltage goes below 0.35V at least once.
- "FR O2 SENSOR" voltage never exceeds 1.0V.



- 1) Start engine and warm it up to normal operating temperature.
- 2) Set voltmeter probes between ECM terminal ④⑥ (sensor signal) and ④③ (engine ground).
- 3) Check the following with engine speed held at 2,000 rpm constant under no load.
 - Malfunction indicator lamp goes on more than 5 times within 10 seconds in Diagnostic Test Mode II (FRONT HEATED OXYGEN SENSOR MONITOR).
 - The maximum voltage is over 0.6V at least one time.
 - The minimum voltage is below 0.35V at least one time.
 - The voltage never exceeds 1.0V.

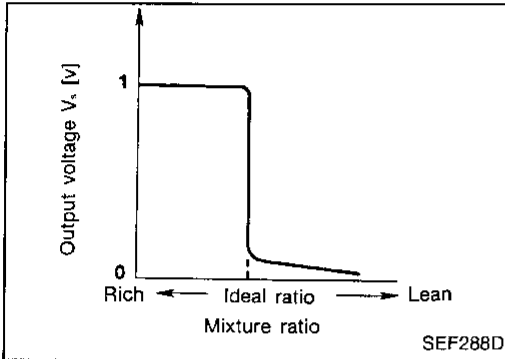
TROUBLE DIAGNOSIS FOR DTC P0133



Front Heated Oxygen Sensor (Response Monitoring) (Front HO2S)

COMPONENT DESCRIPTION

The front heated oxygen sensor is placed into the exhaust manifold. It detects the amount of oxygen in the exhaust gas compared to the outside air. The front heated oxygen sensor has a closed-end tube made of ceramic zirconia. The zirconia generates voltage from approximately 1V in richer conditions to 0V in leaner conditions. The front heated oxygen sensor signal is sent to the ECM. The ECM adjusts the injection pulse duration to achieve the ideal air-fuel ratio. The ideal air-fuel ratio occurs near the radical change from 1V to 0V.



CONSULT REFERENCE VALUE IN DATA MONITOR MODE

Specification data are reference values.

MONITOR ITEM	CONDITION		SPECIFICATION
FR O2 SENSOR FR O2 MNTR	• Engine: After warming up	Maintaining engine speed at 2,000 rpm	0 - 0.3V ↔ Approx. 0.6 - 1.0V LEAN ↔ RICH Changes more than 5 times during 10 seconds.

ECM TERMINALS AND REFERENCE VALUE

Specification data are reference values and are measured between each terminal and Ⓞ (ECCS ground).

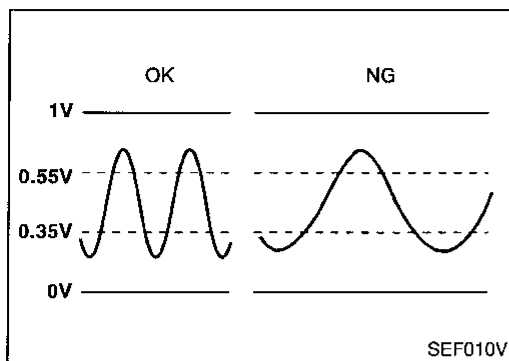
TER-MINAL NO.	WIRE COLOR	ITEM	CONDITION	DATA (DC Voltage)
46	W	Front heated oxygen sensor	<div style="border: 1px solid black; padding: 2px; display: inline-block;">Engine is running.</div> After warming up to normal operating temperature and engine speed is 2,000 rpm	0 - Approximately 1.0V

TROUBLE DIAGNOSIS FOR DTC P0133

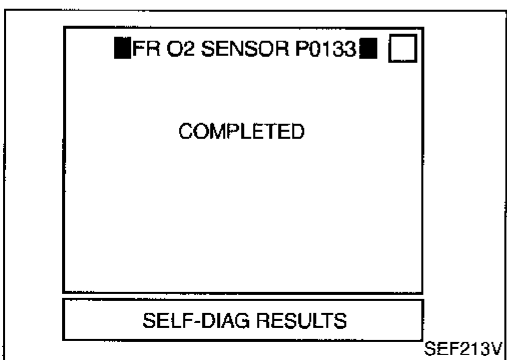
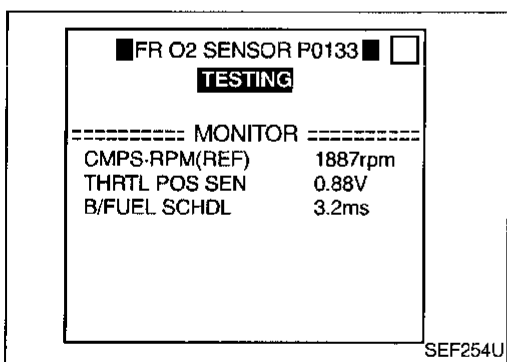
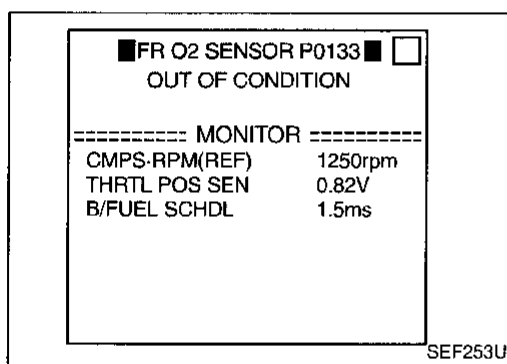
Front Heated Oxygen Sensor (Response Monitoring) (Front HO2S) (Cont'd)

ON BOARD DIAGNOSIS LOGIC

To judge the malfunction of front heated oxygen sensor, this diagnosis measures front heated oxygen sensor cycling time. The time is compensated by engine operating (speed and load), fuel feedback control constant, and front heated oxygen sensor temperature index. Judgment is based on whether the compensated time (front heated oxygen sensor cycling time index) is inordinately long or not.



Diagnostic Trouble Code No.	Malfunction is detected when ...	Check Items (Possible Cause)
P0133 0409	<ul style="list-style-type: none"> The cycle of the voltage signal from the sensor is more than the specified time. 	<ul style="list-style-type: none"> Harness or connectors (The sensor circuit is open or shorted.) Front heated oxygen sensor Front heated oxygen sensor heater Fuel pressure Injectors Intake air leaks Exhaust gas leaks PCV Mass air flow sensor



DIAGNOSTIC TROUBLE CODE CONFIRMATION PROCEDURE

CAUTION:

Always drive vehicle at a safe speed.

NOTE:

If "DIAGNOSTIC TROUBLE CODE CONFIRMATION PROCEDURE" has been previously conducted, always turn ignition switch "OFF" and wait at least 5 seconds before conducting the next test.

TESTING CONDITION:

- Always perform at a temperature of more than -10°C (14°F).
- Before performing the following procedure, confirm that battery voltage is more than 11V at idle.
- Never raise engine speed above 4,400 rpm during the "DIAGNOSTIC TROUBLE CODE CONFIRMATION PROCEDURE". If the engine speed limit is exceeded, retry the procedure from step 2).



- Start engine and warm it up to normal operating temperature.
- Stop engine and wait at least 5 seconds.
- Turn ignition switch "ON" and select "FR O2 SENSOR P0133" of "FRONT O2 SENSOR" in "DTC WORK SUPPORT" mode with CONSULT.
- Touch "START".
- Start engine and let it idle for at least 3 minutes.
- When the following conditions are met, "TESTING" will be displayed on the CONSULT screen. Maintain the conditions continuously until "TESTING" changes to "COMPLETED". (It will take approximately 20 seconds.)

**CMPS-RPM (REF): 1,800 - 2,600 rpm (A/T)
1,900 - 2,600 rpm (M/T)**

Vehicle speed: 78 - 100 km/h (48 - 62 MPH)

B/FUEL SCHDL: 2 - 4.5 ms

Selector lever: Suitable position

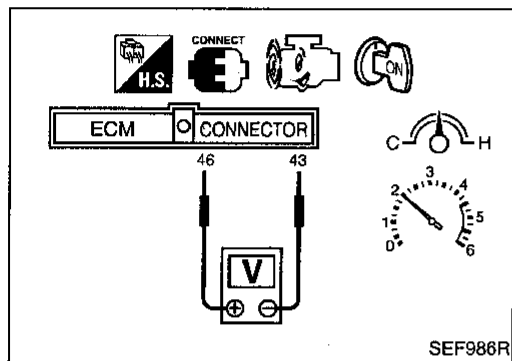
GI
 MA
 EM
 LC
 EC
 FE
 CL
 MT
 AT
 PD
 FA
 RA
 BR
 ST
 RS
 BT
 HA
 EL
 IDX
 315

TROUBLE DIAGNOSIS FOR DTC P0133

Front Heated Oxygen Sensor (Response Monitoring) (Front HO2S) (Cont'd)

If "TESTING" is not displayed after 5 minutes, retry from step 2).

- 7) Make sure that "OK" is displayed after touching "SELF-DIAG RESULTS". If "NG" is displayed, refer to "DIAGNOSTIC PROCEDURE", EC-168.



OR OVERALL FUNCTION CHECK

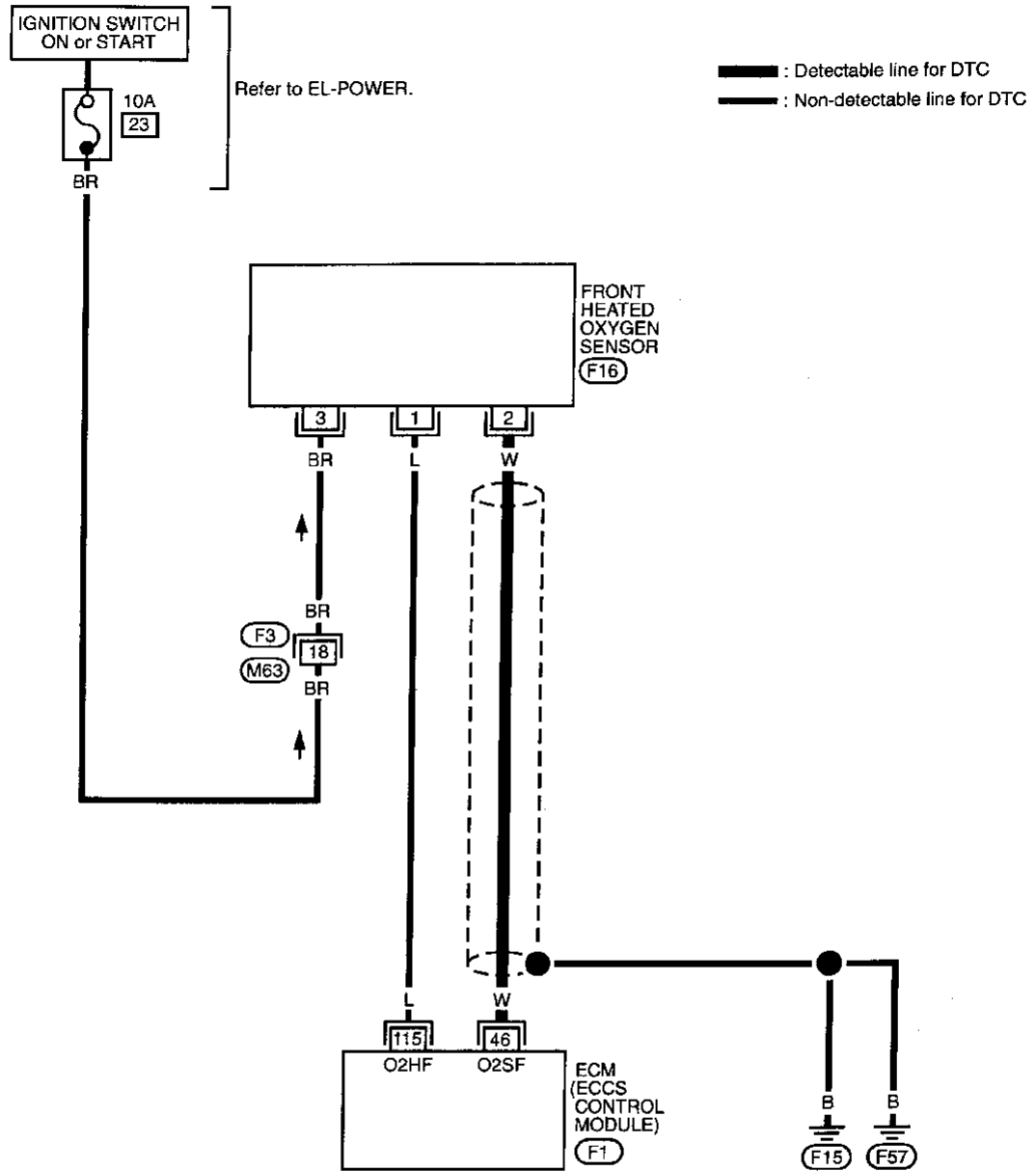
Use this procedure to check the overall function of the front heated oxygen sensor circuit. During this check, a 1st trip DTC might not be confirmed.

- 1) Start engine and warm it up to normal operating temperature.
- 2) Set voltmeter probes between ECM terminal ④⑥ (sensor signal) and ④③ (engine ground).
- 3) Check the following with engine speed held at 2,000 rpm constant under no load.
 - Malfunction indicator lamp goes on more than 5 times within 10 seconds in Diagnostic Test Mode II (FRONT HEATED OXYGEN SENSOR MONITOR).

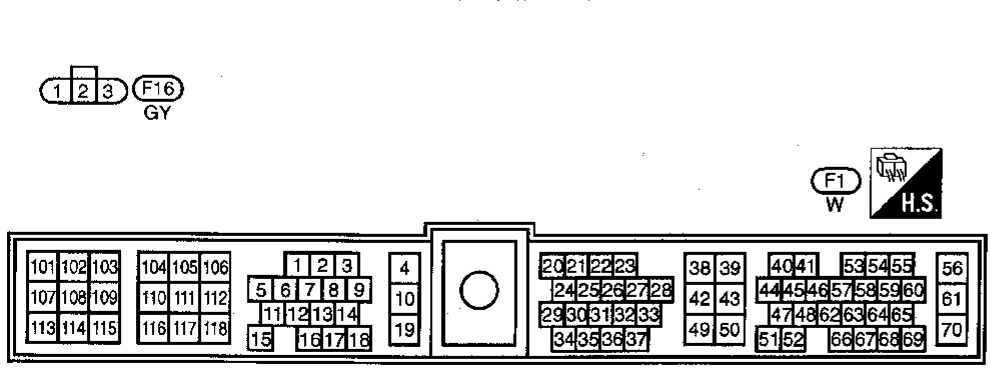
TROUBLE DIAGNOSIS FOR DTC P0133

Front Heated Oxygen Sensor (Response Monitoring) (Front HO2S) (Cont'd)

EC-FRO2-01



GI
MA
EM
LC
EC
FE
CL
MT
AT
PD
FA
RA
BR
ST
RS
BT
HA
EL
IDX

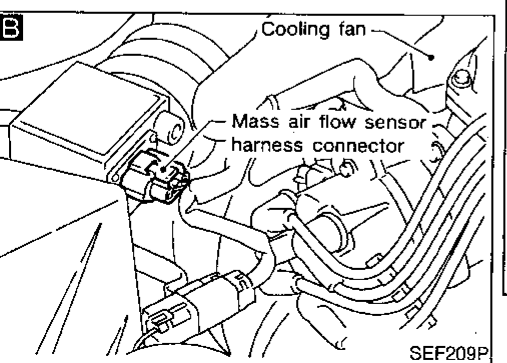
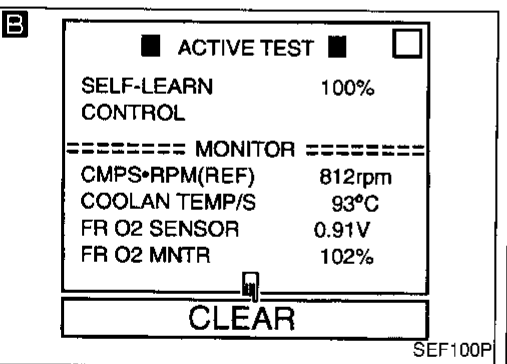
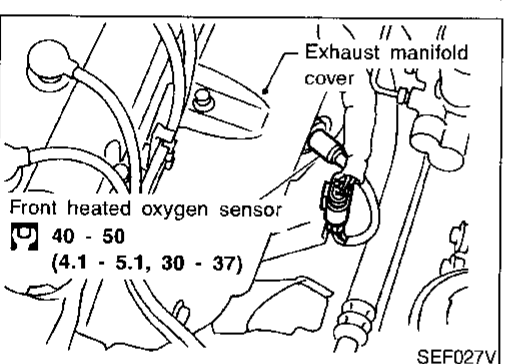
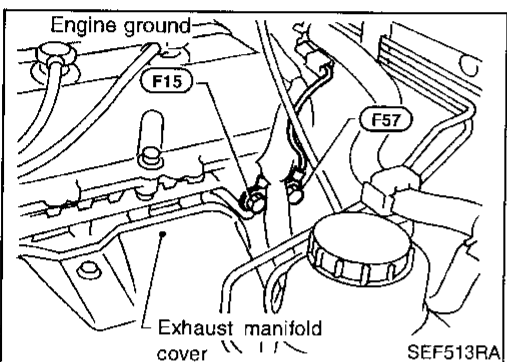
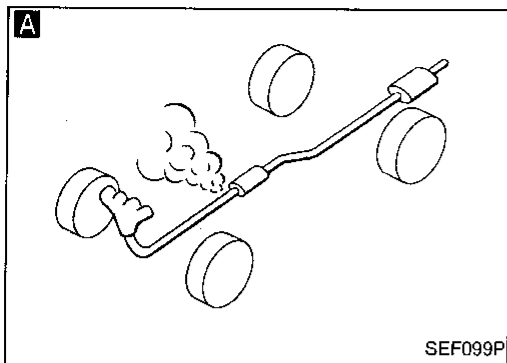


Refer to last page (Foldout page).
 M63, F3

TROUBLE DIAGNOSIS FOR DTC P0133

Front Heated Oxygen Sensor (Response Monitoring) (Front HO2S) (Cont'd)

DIAGNOSTIC PROCEDURE



INSPECTION START

1. Turn ignition switch "OFF".
2. Loosen and retighten engine ground screws.

Loosen and retighten front heated oxygen sensor.
Tightening torque:
40 - 50 N·m
(4.1 - 5.1 kg-m, 30 - 37 ft-lb)

A
CHECK EXHAUST AIR LEAK.
Start engine and run it at idle. Listen for an exhaust air leak before three way catalyst.

NG → Repair or replace.

OK ↓

CHECK FOR INTAKE AIR LEAK.
Start engine and run it at idle. Listen for an intake air leak between the mass air flow sensor and the intake manifold.

NG → Repair or replace.

OK ↓

B
CLEAR THE SELF-LEARNING DATA

1. Start engine and warm it up to normal operating temperature.
2. Select "SELF-LEARNING CONT" in "ACTIVE TEST" mode with CONSULT.
3. Clear the self-learning control coefficient by touching "CLEAR".
4. Run engine for at least 10 minutes at idle speed.

Is the 1st trip DTC P0171 or P0172 detected? Is it difficult to start engine?

Yes → Go to "TROUBLE DIAGNOSIS FOR DTC P0171", EC-210 or "TROUBLE DIAGNOSIS FOR DTC P0172", EC-215.

OR

2. Turn ignition switch "OFF".
3. Disconnect mass air flow sensor harness connector, and restart and run engine for at least 3 seconds at idle speed.
4. Stop engine and reconnect mass air flow sensor harness connector.
5. Make sure diagnostic trouble code No. 0102 is displayed in Diagnostic Test Mode II.
6. Erase the diagnostic test mode II (Self-diagnostic results) memory. Make sure diagnostic trouble code No. 0505 is displayed in Diagnostic Test Mode II.
7. Run engine for at least 10 minutes at idle speed.

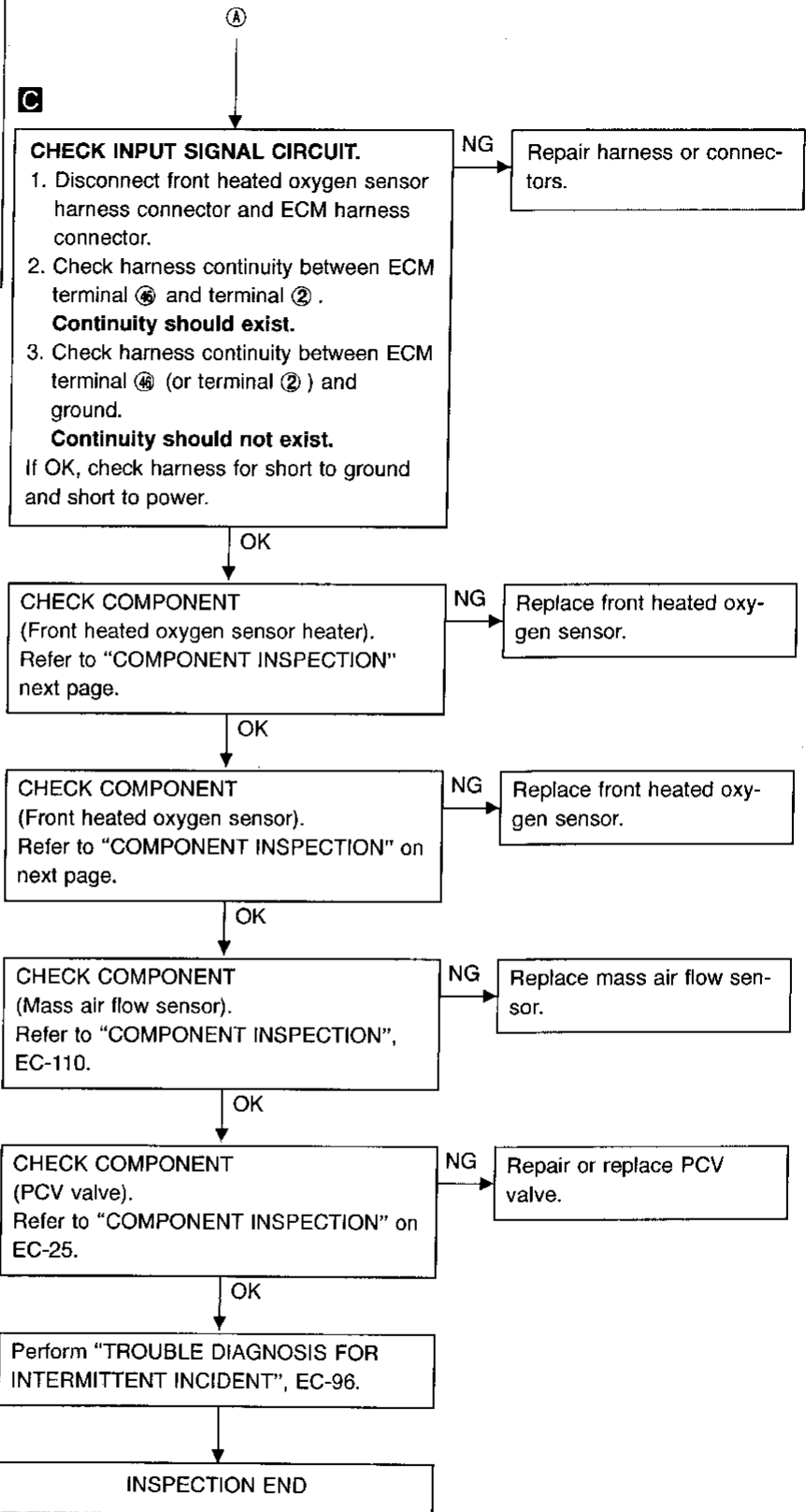
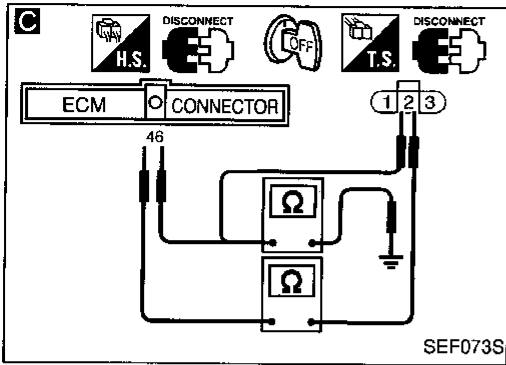
Is the 1st trip DTC 0115 or 0114 detected? Is it difficult to start engine?

No ↓

Ⓐ

TROUBLE DIAGNOSIS FOR DTC P0133

Front Heated Oxygen Sensor (Response Monitoring) (Front HO2S) (Cont'd)



GI

MA

EM

LC

EC

FE

CL

MT

AT

PD

FA

RA

BR

ST

RS

BT

HA

EL

IDX

TROUBLE DIAGNOSIS FOR DTC P0133

Front Heated Oxygen Sensor (Response Monitoring) (Front HO2S) (Cont'd)

COMPONENT INSPECTION

Front heated oxygen sensor heater

Check resistance between terminals ③ and ① .

Resistance: 2.3 - 4.3Ω at 25°C (77°F)

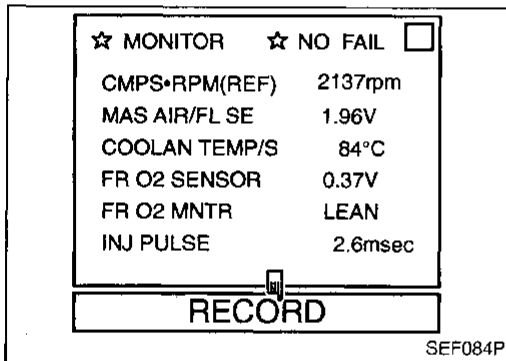
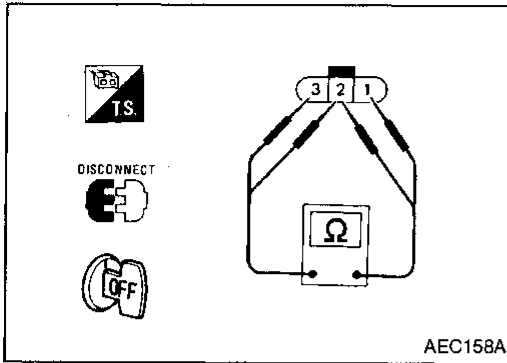
Check continuity between terminals ② and ① , ③ and ② .

Continuity should not exist.

If NG, replace the front heated oxygen sensor.

CAUTION:

Discard any heated oxygen sensor which has been dropped from a height of more than 0.5 m (19.7 in) onto a hard surface such as a concrete floor; use a new one.



Front heated oxygen sensor



- 1) Start engine and warm it up to normal operating temperature.
 - 2) Select "MANU TRIG" and "HI SPEED" in "DATA MONITOR" mode with CONSULT, and select "FR O2 SENSOR" and "FR O2 MNTR".
 - 3) Hold engine speed at 2,000 rpm under no load during the following steps.
 - 4) Touch "RECORD" on CONSULT screen.
 - 5) Check the following.
 - "FR O2 MNTR" in "DATA MONITOR" mode changes from "RICH" to "LEAN" to "RICH" 5 times in 10 seconds.
- 5 times (cycles) are counted as shown below:

cycle | 1 | 2 | 3 | 4 | 5 |
FR O2 MNTR R-L-R-L-R-L-R-L-R-L-R

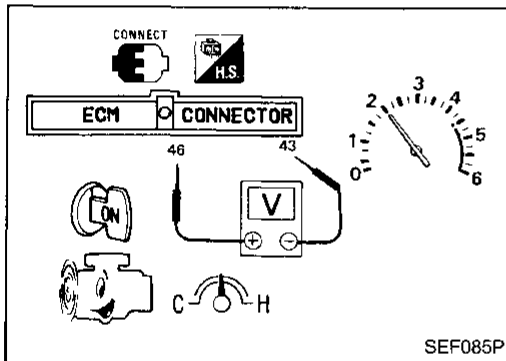
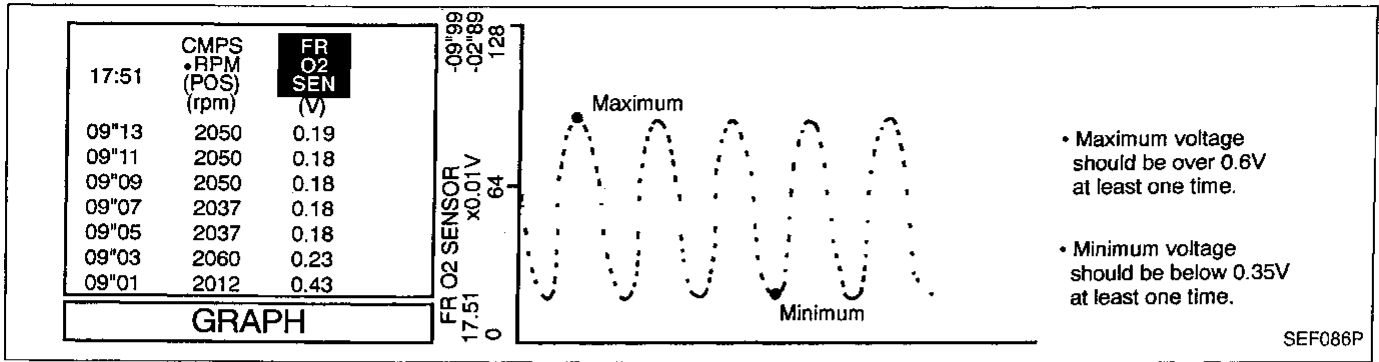
R = "FR O2 MNTR", "RICH"

L = "FR O2 MNTR", "LEAN"

- "FR O2 SENSOR" voltage goes above 0.6V at least once.
- "FR O2 SENSOR" voltage goes below 0.35V at least once.
- "FR O2 SENSOR" voltage never exceeds 1.0V.

TROUBLE DIAGNOSIS FOR DTC P0133

Front Heated Oxygen Sensor (Response Monitoring) (Front HO2S) (Cont'd)



OR



- 1) Start engine and warm it up to normal operating temperature.
- 2) Set voltmeter probes between ECM terminal ④⑥ (sensor signal) and ④③ (engine ground).
- 3) Check the following with engine speed held at 2,000 rpm constant under no load.
 - Malfunction indicator lamp goes on more than 5 times within 10 seconds in Diagnostic Test Mode II (FRONT HEATED OXYGEN SENSOR MONITOR).
 - The maximum voltage is over 0.6V at least one time.
 - The minimum voltage is below 0.35V at least one time.
 - The voltage never exceeds 1.0V.

GI

MA

EM

LC

EC

FE

CL

MT

AT

PD

FA

RA

BR

ST

RS

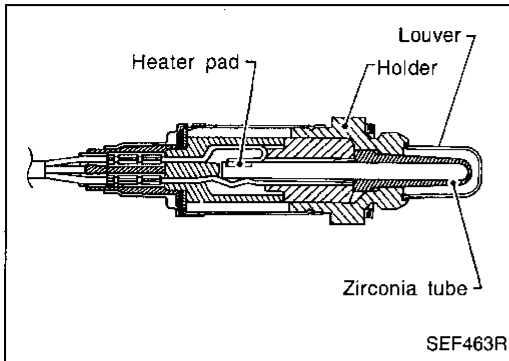
BT

HA

EL

IDX

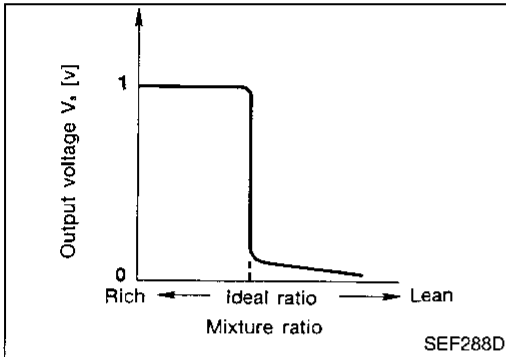
TROUBLE DIAGNOSIS FOR DTC P0134



Front Heated Oxygen Sensor (High Voltage) (Front HO2S)

COMPONENT DESCRIPTION

The front heated oxygen sensor is placed into the exhaust manifold. It detects the amount of oxygen in the exhaust gas compared to the outside air. The front heated oxygen sensor has a closed-end tube made of ceramic zirconia. The zirconia generates voltage from approximately 1V in richer conditions to 0V in leaner conditions. The front heated oxygen sensor signal is sent to the ECM. The ECM adjusts the injection pulse duration to achieve the ideal air-fuel ratio. The ideal air-fuel ratio occurs near the radical change from 1V to 0V.



CONSULT REFERENCE VALUE IN DATA MONITOR MODE

Specification data are reference values.

MONITOR ITEM	CONDITION	SPECIFICATION
FR O2 SENSOR FR O2 MNTR	<ul style="list-style-type: none"> Engine: After warming up 	Maintaining engine speed at 2,000 rpm 0 - 0.3V ↔ Approx. 0.6 - 1.0V LEAN ↔ RICH Changes more than 5 times during 10 seconds.

ECM TERMINALS AND REFERENCE VALUE

Specification data are reference values and are measured between each terminal and Ⓒ (ECCS ground).

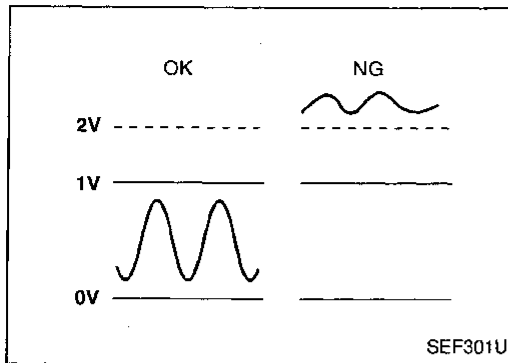
TER-MINAL NO.	WIRE COLOR	ITEM	CONDITION	DATA (DC Voltage)
46	W	Front heated oxygen sensor	Engine is running. After warming up to normal operating temperature and engine speed is 2,000 rpm	0 - Approximately 1.0V

TROUBLE DIAGNOSIS FOR DTC P0134

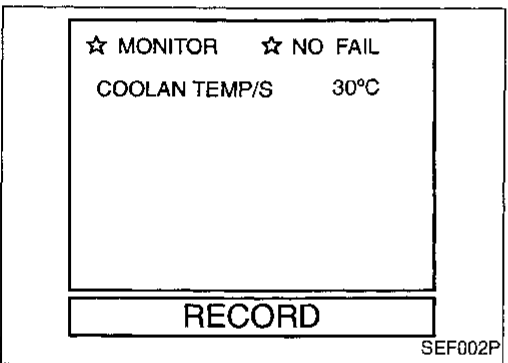
Front Heated Oxygen Sensor (High Voltage) (Front HO2S) (Cont'd)

ON BOARD DIAGNOSIS LOGIC

To judge the malfunction, the diagnosis checks that the front heated oxygen sensor output is not inordinately high.






Diagnostic Trouble Code No.	Malfunction is detected when ...	Check Items (Possible Cause)
P0134 0412	<ul style="list-style-type: none"> An excessively high voltage from the sensor is sent to ECM. 	<ul style="list-style-type: none"> Harness or connectors (The sensor circuit is open or shorted.) Front heated oxygen sensor



DIAGNOSTIC TROUBLE CODE CONFIRMATION PROCEDURE

NOTE:
If "DIAGNOSTIC TROUBLE CODE CONFIRMATION PROCEDURE" has been previously conducted, always turn ignition switch "OFF" and wait at least 5 seconds before conducting the next test.

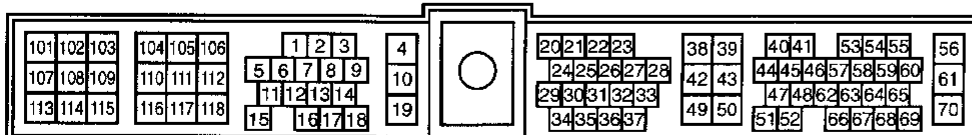
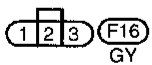
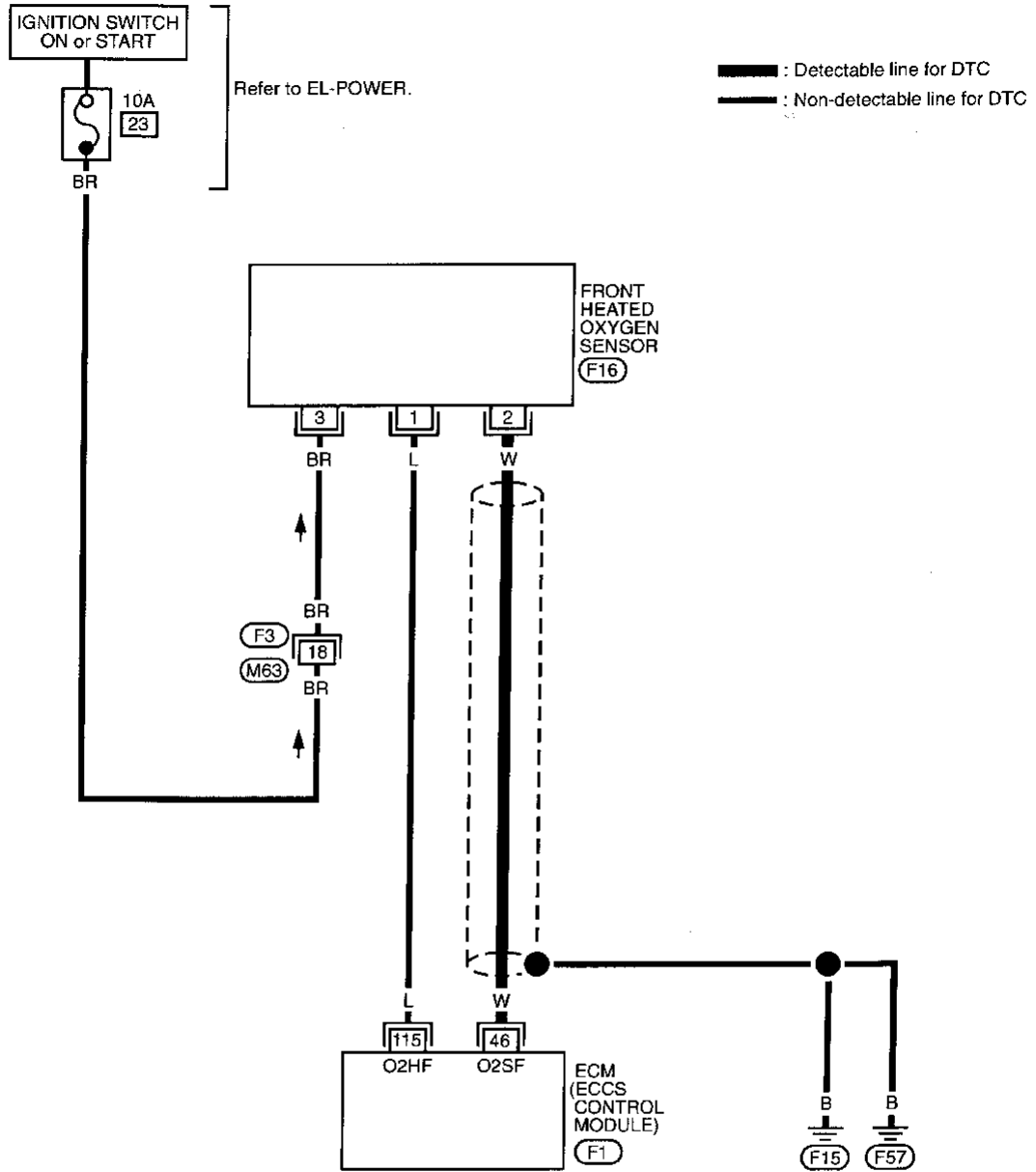
- 
 1) Turn ignition switch "ON".
 2) Select "DATA MONITOR" mode with CONSULT and wait at least 5 seconds.
- OR
- 
 1) Turn ignition switch "ON" and wait at least 5 seconds.
 2) Select "MODE 3" with GST.
- OR
- 
 1) Turn ignition switch "ON" and wait at least 5 seconds.
 2) Turn ignition switch "OFF", wait at least 5 seconds and then turn "ON".
 3) Perform "Diagnostic Test Mode II (Self-diagnostic results)" with ECM.

GI
MA
EM
LC
EC
FE
CL
MT
AT
PD
FA
RA
BR
ST
RS
BT
HA
EL
IDX

TROUBLE DIAGNOSIS FOR DTC P0134

Front Heated Oxygen Sensor (High Voltage) (Front HO2S) (Cont'd)

EC-FRO2-01



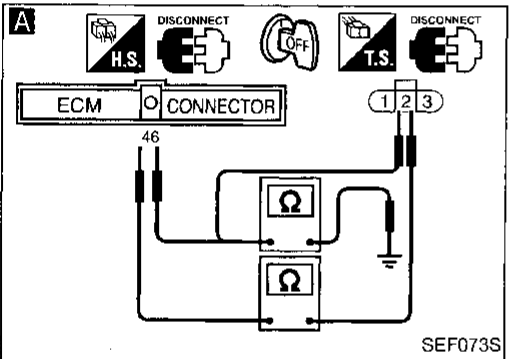
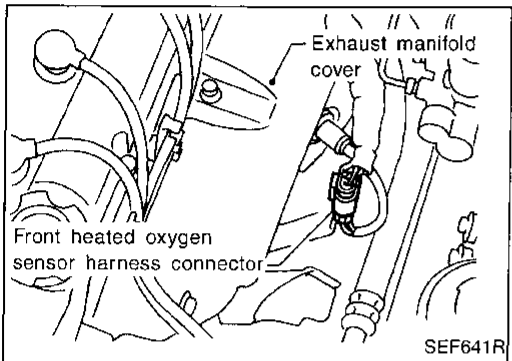
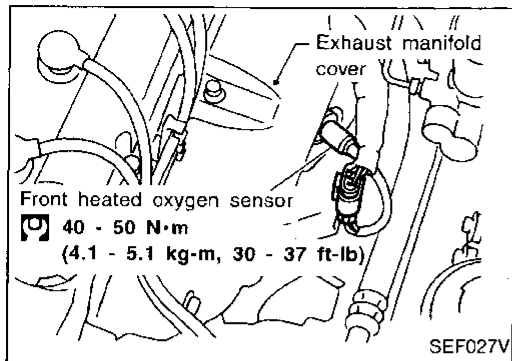
Refer to last page (Foldout page).

(M63), (F3)

TROUBLE DIAGNOSIS FOR DTC P0134

Front Heated Oxygen Sensor (High Voltage) (Front HO2S) (Cont'd)

DIAGNOSTIC PROCEDURE



INSPECTION START

Loosen and retighten front heated oxygen sensor.
Tightening torque:
40 - 50 N·m
(4.1 - 5.1 kg-m, 30 - 37 ft-lb)

A

CHECK INPUT SIGNAL CIRCUIT.

1. Disconnect front heated oxygen sensor harness connector and ECM harness connector.
2. Check harness continuity between ECM terminal ④ and terminal ② .
Continuity should exist.
3. Check harness continuity between ECM terminal ④ (or terminal ②) and ground.
Continuity should not exist.

If OK, check harness for short to ground and short to power.

NG Repair harness or connectors.

OK

CHECK COMPONENT
(Front heated oxygen sensor).

1. Turn ignition switch "OFF".
2. Disconnect sensor harness connector and check for water.
Water should not exist.
If OK, go to step 3.
3. Check front heated oxygen sensor. Refer to "COMPONENT INSPECTION" on next page.

NG Repair or replace harness and/or connectors or replace front heated oxygen sensor.

OK

Perform "TROUBLE DIAGNOSIS FOR INTERMITTENT INCIDENT", EC-96.

INSPECTION END

GI

MA

EM

LC

EC

FE

CL

MT

AT

PD

FA

RA

BR

ST

RS

BT

HA

EL

IDX

TROUBLE DIAGNOSIS FOR DTC P0134

Front Heated Oxygen Sensor (High Voltage) (Front HO2S) (Cont'd)

COMPONENT INSPECTION

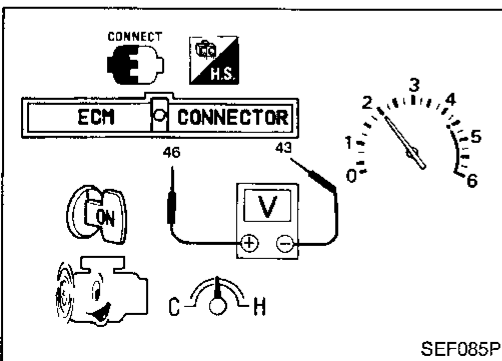
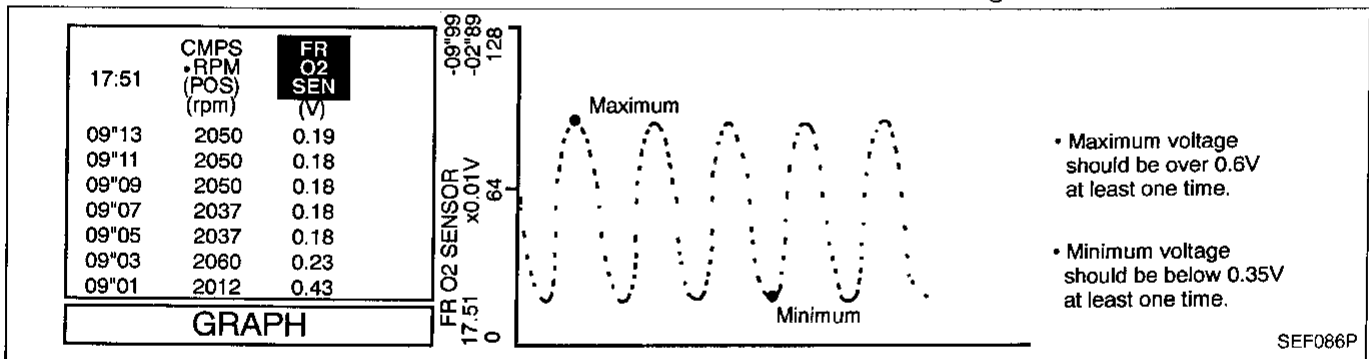
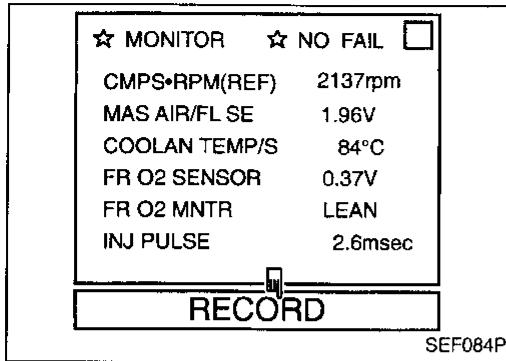
Front heated oxygen sensor

- 1) Start engine and warm it up to normal operating temperature.
 - 2) Select "MANU TRIG" and "HI SPEED" in "DATA MONITOR" mode with CONSULT, and select "FR O2 SENSOR" and "FR O2 MNTR".
 - 3) Hold engine speed at 2,000 rpm under no load during the following steps.
 - 4) Touch "RECORD" on CONSULT screen.
 - 5) Check the following.
 - "FR O2 MNTR" in "DATA MONITOR" mode changes from "RICH" to "LEAN" to "RICH" 5 times in 10 seconds.
- 5 times (cycles) are counted as shown below:

cycle | 1 | 2 | 3 | 4 | 5 |
FR O2 MNTR R-L-R-L-R-L-R-L-R

R = "FR O2 MNTR", "RICH"
L = "FR O2 MNTR", "LEAN"

- "FR O2 SENSOR" voltage goes above 0.6V at least once.
- "FR O2 SENSOR" voltage goes below 0.35V at least once.
- "FR O2 SENSOR" voltage never exceeds 1.0V.

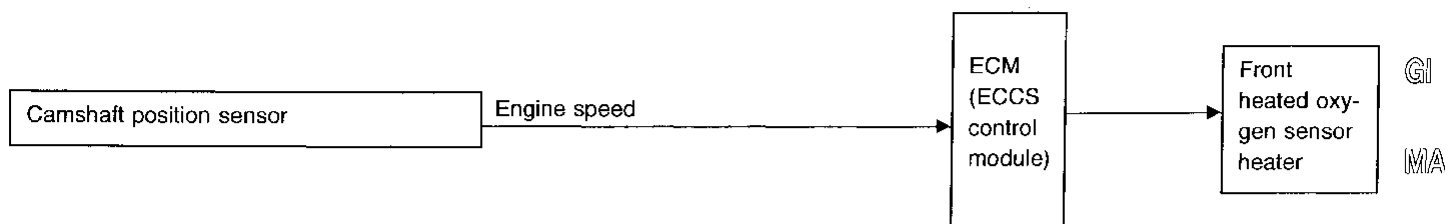


- OR
- 1) Start engine and warm it up to normal operating temperature.
 - 2) Set voltmeter probes between ECM terminal 46 (sensor signal) and 43 (engine ground).
 - 3) Check the following with engine speed held at 2,000 rpm constant under no load.
 - Malfunction indicator lamp goes on more than 5 times within 10 seconds in Diagnostic Test Mode II (FRONT HEATED OXYGEN SENSOR MONITOR).
 - The maximum voltage is over 0.6V at least one time.
 - The minimum voltage is below 0.35V at least one time.
 - The voltage never exceeds 1.0V.

TROUBLE DIAGNOSIS FOR DTC P0135

Front Heated Oxygen Sensor Heater

SYSTEM DESCRIPTION



The ECM performs ON/OFF control of the front heated oxygen sensor heater corresponding to the engine speed.

OPERATION

Engine speed rpm	Front heated oxygen sensor heater
Above 4,400	OFF
Below 4,400	ON

CONSULT REFERENCE VALUE IN DATA MONITOR MODE

Specification data are reference values.

MONITOR ITEM	CONDITION	SPECIFICATION
FR O2 HEATER	• Engine speed: Idle	ON
	• Engine speed: Above 4,400 rpm	OFF

ECM TERMINALS AND REFERENCE VALUE

Specification data are reference values and are measured between each terminal and Ⓞ (ECCS ground).

TER-MINAL NO.	WIRE COLOR	ITEM	CONDITION	DATA (DC Voltage)
115	L	Front heated oxygen sensor heater	Engine is running. └ Engine speed is below 4,400 rpm.	Approximately 0V
			Engine is running. └ Engine speed is above 4,400 rpm.	BATTERY VOLTAGE (11 - 14V)

ON BOARD DIAGNOSIS LOGIC

Diagnostic Trouble Code No.	Malfunction is detected when	Check Items (Possible Cause)
P0135 0901	<ul style="list-style-type: none"> The current amperage in the front heated oxygen sensor heater circuit is out of the normal range. (An improper voltage drop signal is sent to ECM through the front heated oxygen sensor heater.) 	<ul style="list-style-type: none"> Harness or connectors (The front heated oxygen sensor heater circuit is open or shorted.) Front heated oxygen sensor heater

TROUBLE DIAGNOSIS FOR DTC P0135

Front Heated Oxygen Sensor Heater (Cont'd)

DIAGNOSTIC TROUBLE CODE CONFIRMATION PROCEDURE

NOTE:

If "DIAGNOSTIC TROUBLE CODE CONFIRMATION PROCEDURE" has been previously conducted, always turn ignition switch "OFF" and wait at least 5 seconds before conducting the next test.

TESTING CONDITION:

Before performing the following procedure, confirm that battery voltage is in between 10.5V and 16V at idle.

☆ MONITOR	☆ NO FAIL	<input type="checkbox"/>
CMPS-RPM(REF)	700rpm	
RECORD		

SEF190P



- 1) Turn ignition switch "ON" and select "DATA MONITOR" mode with CONSULT.
- 2) Start engine and run it for at least 5 seconds at idle speed.

OR



- 1) Start engine and run it for at least 5 seconds at idle speed.
- 2) Turn ignition switch "OFF" and wait at least 5 seconds.
- 3) Start engine and run it for at least 5 seconds at idle speed.
- 4) Select "MODE 3" with GST.

OR



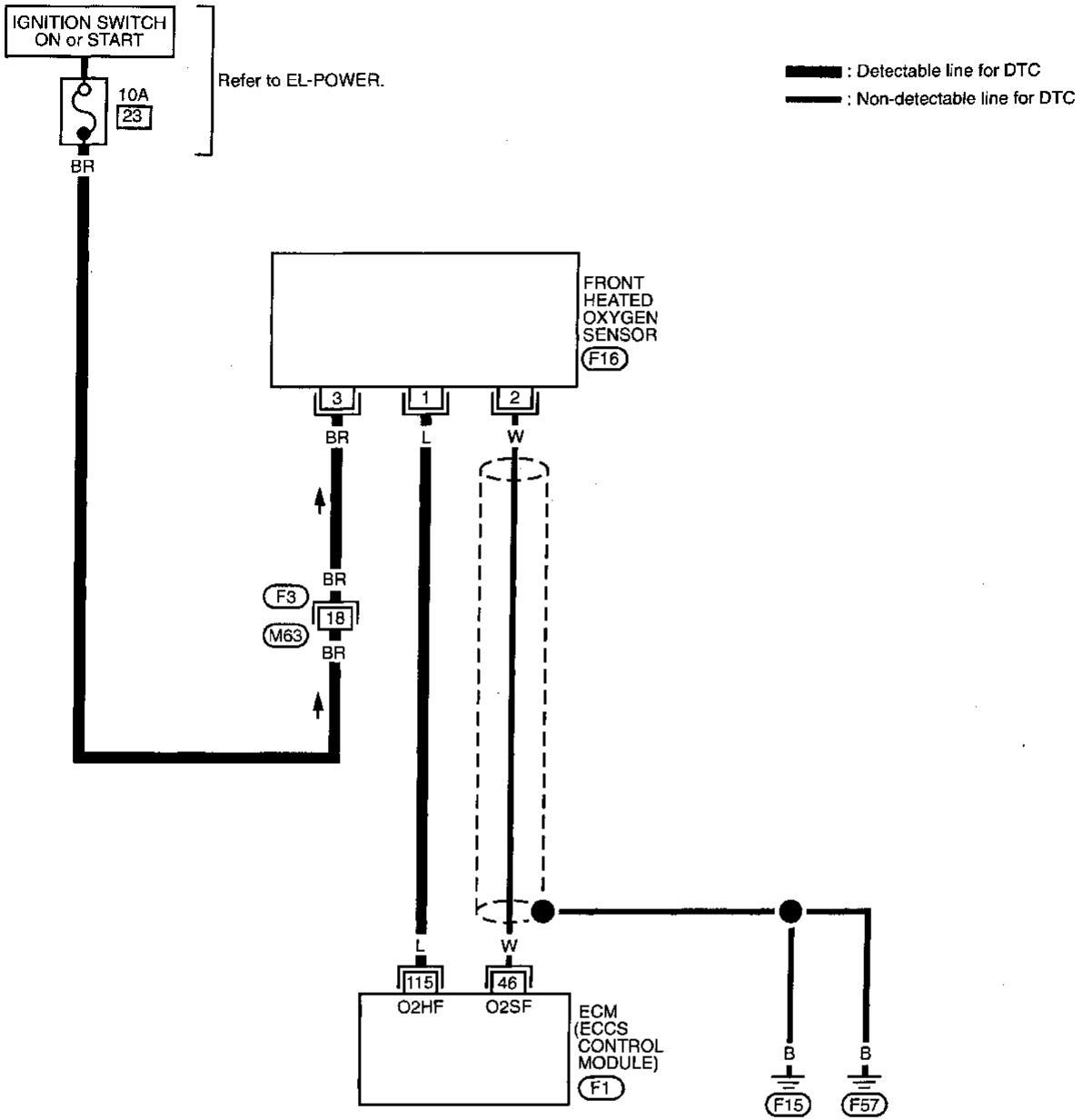
- 1) Start engine and run it for at least 5 seconds at idle speed.
- 2) Turn ignition switch "OFF", wait at least 5 seconds and then turn "ON".
- 3) Perform "Diagnostic Test Mode II (Self-diagnostic results)" with ECM.

- When using GST, "DIAGNOSTIC TROUBLE CODE CONFIRMATION PROCEDURE" should be performed twice as much as when using CONSULT or ECM (Diagnostic Test Mode II) because GST cannot display MODE 7 (1st trip DTC) concerning this diagnosis. Therefore, using CONSULT or ECM (Diagnostic Test Mode II) is recommended.

TROUBLE DIAGNOSIS FOR DTC P0135

Front Heated Oxygen Sensor Heater (Cont'd)

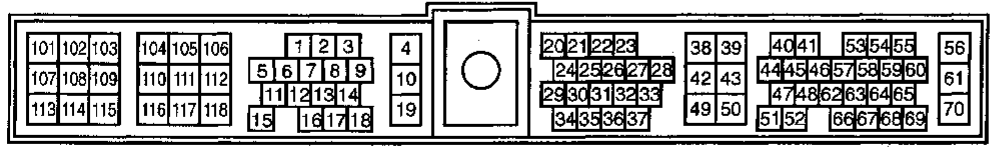
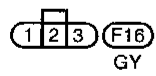
EC-FRO2/H-01



GI
MA
EM
LC
EC
FE
CL
MT
AT
PD
FA
RA
BR
ST
RS
BT
HA
EL
IDX

Refer to last page (Foldout page).

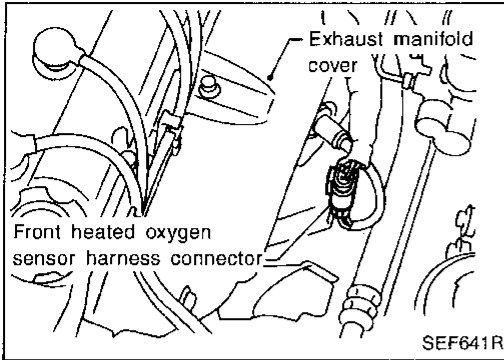
(M63), (F3)



TROUBLE DIAGNOSIS FOR DTC P0135

Front Heated Oxygen Sensor Heater (Cont'd)

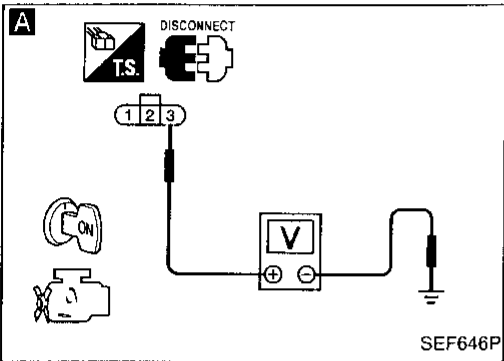
DIAGNOSTIC PROCEDURE



INSPECTION START

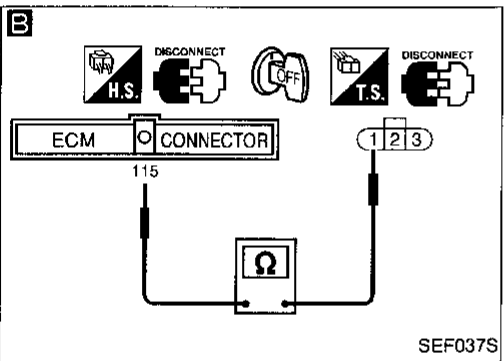
A
CHECK POWER SUPPLY.
 1. Turn ignition switch "OFF".
 2. Disconnect front heated oxygen sensor harness connector.
 3. Turn ignition switch "ON".
 4. Check voltage between terminal ③ and ground with CONSULT or tester.
Voltage: Battery voltage

NG → Check the following.
 • Harness connectors
 • F3, M63
 • 10A fuse
 • Harness for open or short between front heated oxygen sensor and fuse
 If NG, repair harness or connectors.



B
CHECK GROUND CIRCUIT.
 1. Turn ignition switch "OFF".
 2. Disconnect ECM harness connector.
 3. Check harness continuity between terminal ① and ECM terminal 115.
Continuity should exist.
 If OK, check harness for short to ground and short to power.

NG → Repair harness or connectors.



CHECK COMPONENT
 (Front heated oxygen sensor heater).
 Refer to "COMPONENT INSPECTION" below.

NG → Replace front heated oxygen sensor.

Perform "TROUBLE DIAGNOSIS FOR INTERMITTENT INCIDENT", EC-96.

INSPECTION END

COMPONENT INSPECTION

Front heated oxygen sensor heater

Check resistance between terminals ③ and ①.

Resistance: 2.3 - 4.3Ω at 25°C (77°F)

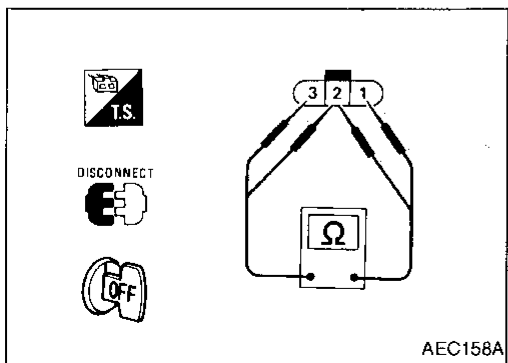
Check continuity between terminals ② and ①, ③ and ②.

Continuity should not exist.

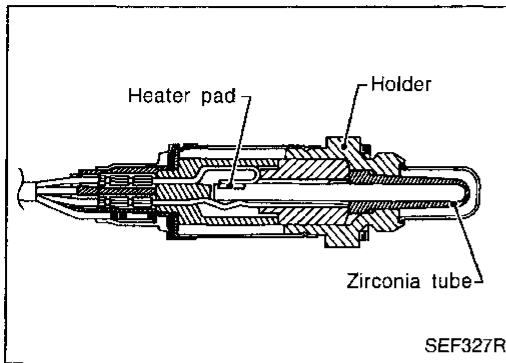
If NG, replace the front heated oxygen sensor.

CAUTION:

Discard any heated oxygen sensor which has been dropped from a height of more than 0.5 m (19.7 in) onto a hard surface such as a concrete floor; use a new one.



TROUBLE DIAGNOSIS FOR DTC P0137



Rear Heated Oxygen Sensor (Min. Voltage Monitoring) (Rear HO2S)

COMPONENT DESCRIPTION

The rear heated oxygen sensor (Rear HO2S), after three way catalyst, monitors the oxygen level in the exhaust gas.

Even if switching characteristics of the front heated oxygen sensor are shifted, the air fuel ratio is controlled to stoichiometric, by the signal from the rear heated oxygen sensor.

This sensor is made of ceramic zirconia. The zirconia generates voltage from approximately 1V in richer conditions to 0V in leaner conditions.

Under normal conditions the rear heated oxygen sensor is not used for engine control operation.

CONSULT REFERENCE VALUE IN DATA MONITOR MODE

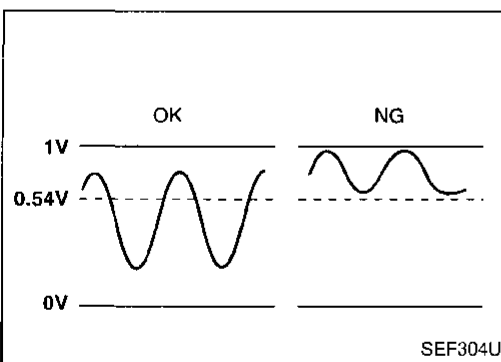
Specification data are reference values.

MONITOR ITEM	CONDITION	SPECIFICATION
RR O2 SENSOR	<ul style="list-style-type: none"> Engine: After warming up Revving engine from idle to 3,000 rpm quickly	0 - 0.3V ↔ Approx. 0.6 - 1.0V
RR O2 MNTR		LEAN ↔ RICH

ECM TERMINALS AND REFERENCE VALUE

Specification data are reference values and are measured between each terminal and Ⓞ (ECCS ground).

TER-MINAL NO.	WIRE COLOR	ITEM	CONDITION	DATA (DC Voltage)
52	W	Rear heated oxygen sensor	Engine is running. After warming up to normal operating temperature and revving engine from idle to 3,000 rpm quickly	0 - Approximately 1.0V



ON BOARD DIAGNOSIS LOGIC

The rear heated oxygen sensor has a much longer switching time between rich and lean than the front heated oxygen sensor. The oxygen storage capacity before the three way catalyst causes the longer switching time. To judge the malfunctions of rear heated oxygen sensor, ECM monitors whether the minimum voltage of the sensor is sufficiently low during the various driving condition such as fuel-cut.

Diagnostic Trouble Code No.	Malfunction is detected when ...	Check Items (Possible Cause)
P0137 0511	<ul style="list-style-type: none"> The minimum voltage from the sensor is not reached to the specified voltage. 	<ul style="list-style-type: none"> Harness or connectors (The sensor circuit is open or shorted.) Rear heated oxygen sensor Fuel pressure Injectors

TROUBLE DIAGNOSIS FOR DTC P0137

Rear Heated Oxygen Sensor (Min. Voltage Monitoring) (Rear HO2S) (Cont'd)

DIAGNOSTIC TROUBLE CODE CONFIRMATION PROCEDURE

CAUTION:

- Always drive vehicle at a safe speed.

NOTE:

- "COMPLETED" will appear on CONSULT screen when all tests "COND1", "COND2" and "COND3" are completed.
- If "DIAGNOSTIC TROUBLE CODE CONFIRMATION PROCEDURE" has been previously conducted, always turn ignition switch "OFF" and wait at least 5 seconds before conducting the next test.

TESTING CONDITION:

- Never stop engine during this test. If the engine is stopped, reperform this test from step 2).
- Always perform at a temperature of more than -10°C (14°F).



Procedure for COND1

- 1) Start engine and warm it up to normal operating temperature.
- 2) Turn ignition switch "OFF" and wait at least 5 seconds.
- 3) Turn ignition switch "ON" and select "RR O2 SENSOR P0137" of "REAR O2 SENSOR" in "DTC WORK SUPPORT" mode with CONSULT.
- 4) Touch "START".
- 5) Start engine and let it idle for at least 30 seconds.
- 6) Rev engine up to 2,000 rpm 2 or 3 times quickly under no load.

If "COMPLETED" appears on CONSULT screen, go to step 10).

If "COMPLETED" does not appear on CONSULT screen, go to the following step.

- 7) When the following conditions are met, "TESTING" will be displayed at "COND1" on the CONSULT screen. Maintain the conditions continuously until "TESTING" changes to "COMPLETED". (It will take approximately 60 seconds.)

CMPS-RPM (REF): 1,550 - 2,600 rpm (A/T)

1,750 - 2,600 rpm (M/T)

Vehicle speed: 64 - 120 km/h (40 - 75 MPH)

B/FUEL SCHDL: 0.7 - 4.5 ms

Selector lever: Suitable position

NOTE:

- If "TESTING" is not displayed after 5 minutes, retry from step 2).
- If "COMPLETED" already appears at "COND2" on CONSULT screen before "Procedure for COND2" is conducted, it is unnecessary to conduct step 8).

Procedure for COND2

- 8) While driving, release accelerator pedal completely with "OD" OFF (A/T models only) from the above condition [step 7] until "INCOMPLETE" at "COND2" on CONSULT screen has turned to "COMPLETED". (It will take approximately 4 seconds.)

<div style="display: flex; justify-content: space-between;"> ■ RR O2 SEN P0137 ■ <input type="checkbox"/> </div>
COND1: OUT OF COND COND2: INCOMPLETE COND3: INCOMPLETE
===== MONITOR =====
CMPS-RPM(REF) 912rpm THRTL POS SEN 0.51V B/FUEL SCHDL 1.0ms
SEF276U

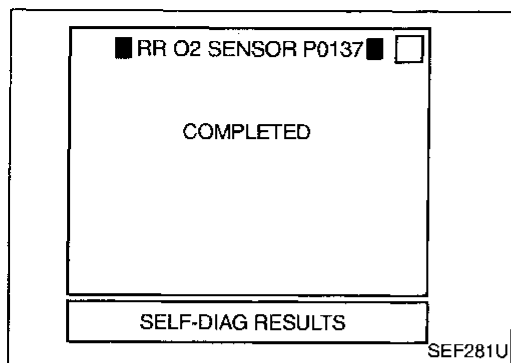
<div style="display: flex; justify-content: space-between;"> ■ RR O2 SEN P0137 ■ <input type="checkbox"/> </div>
COND1: TESTING COND2: INCOMPLETE COND3: INCOMPLETE
===== MONITOR =====
CMPS-RPM(REF) 1687rpm THRTL POS SEN 0.94V B/FUEL SCHDL 3.6ms
SEF277U

<div style="display: flex; justify-content: space-between;"> ■ RR O2 SEN P0137 ■ <input type="checkbox"/> </div>
COND1: COMPLETED COND2: INCOMPLETE COND3: INCOMPLETE
===== MONITOR =====
CMPS-RPM(REF) 1687rpm THRTL POS SEN 0.94V B/FUEL SCHDL 3.6ms
SEF278U

<div style="display: flex; justify-content: space-between;"> ■ RR O2 SEN P0137 ■ <input type="checkbox"/> </div>
COND1: COMPLETED COND2: COMPLETED COND3: INCOMPLETE
===== MONITOR =====
CMPS-RPM(REF) 1050rpm THRTL POS SEN 0.51V B/FUEL SCHDL 1.0ms
SEF279U

TROUBLE DIAGNOSIS FOR DTC P0137

Rear Heated Oxygen Sensor (Min. Voltage Monitoring) (Rear HO2S) (Cont'd)



NOTE:

- If "TESTING" is not displayed after 5 minutes, retry from step 2).
- If "COMPLETED" already appears at "COND3" on CONSULT screen before "Procedure for COND3" is conducted, it is unnecessary to conduct step 9).

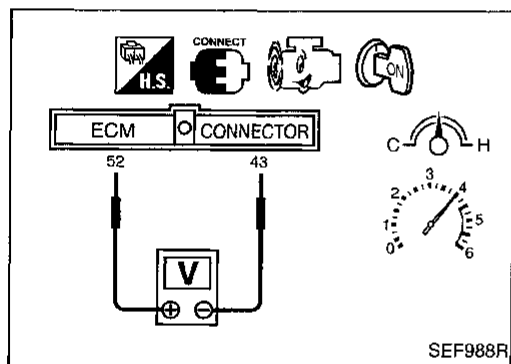
Procedure for COND3

- 9) Stop vehicle and let it idle until "INCOMPLETE" of "COND3" on CONSULT screen has turned to "COMPLETED". (It will take a maximum of approximately 6 minutes.)

NOTE:

If "TESTING" is not displayed after 5 minutes, retry from step 2).

- 10) Make sure that "OK" is displayed after touching "SELF-DIAG RESULTS". If "NG" is displayed, refer to "DIAGNOSTIC PROCEDURE", EC-185.



OR

OVERALL FUNCTION CHECK

Use this procedure to check the overall function of the rear heated oxygen sensor circuit. During this check, a 1st trip DTC might not be confirmed.

- 1) Start engine and warm it up to normal operating temperature.
- 2) Set voltmeter probes between ECM terminals ⑤② (sensor signal) and ④③ (engine ground).
- 3) Check the voltage when revving engine up to 4,000 rpm under no load at least 10 times.
(Depress and release accelerator pedal as soon as possible.)

The voltage should be below 0.54V at least once during this procedure.

If the voltage can be confirmed in step 3, step 4 is not necessary.

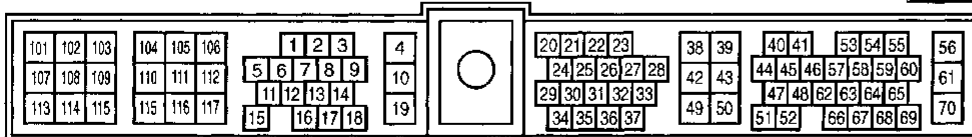
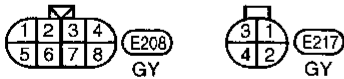
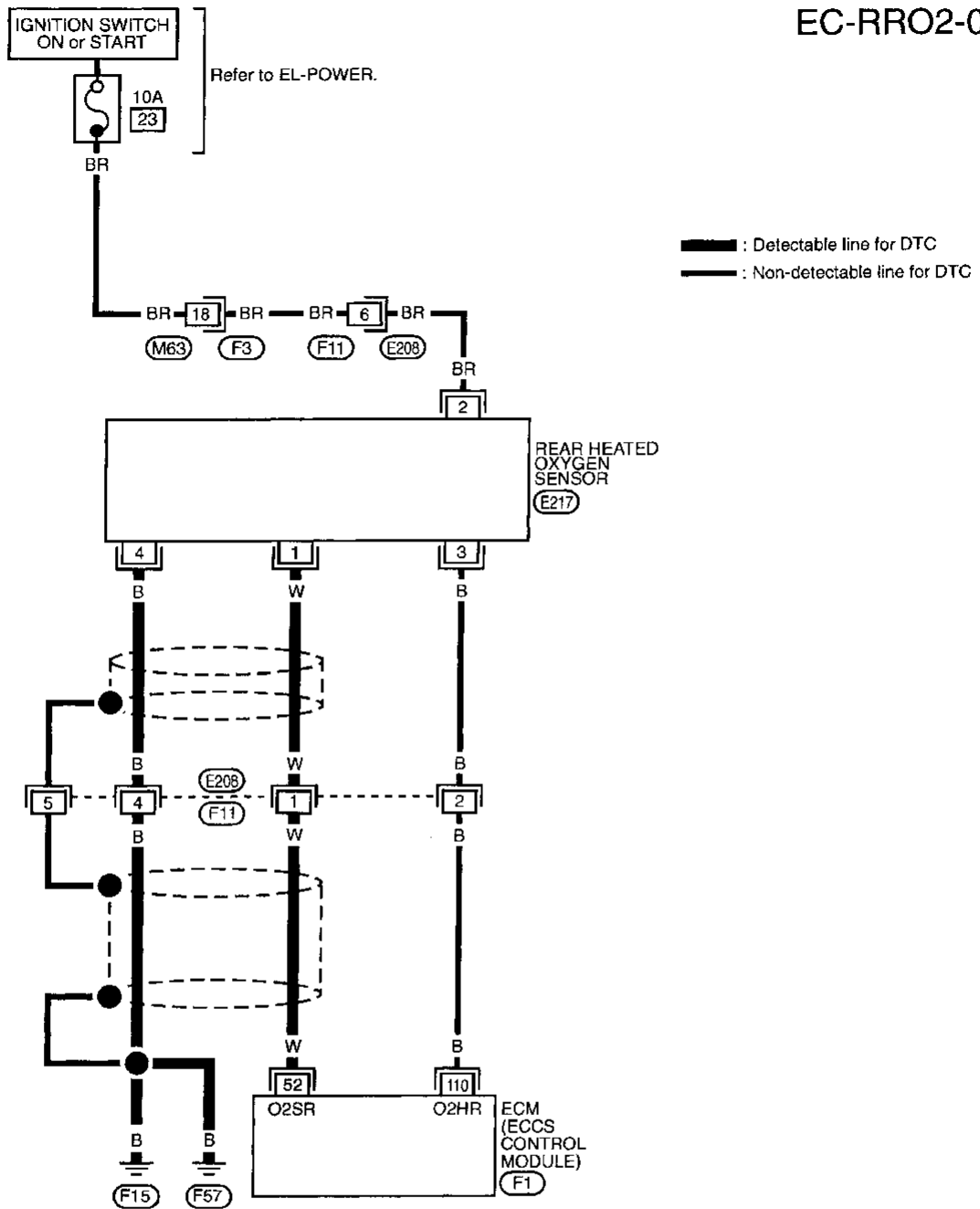
- 4) Keep vehicle at idling for 10 minutes, then check the voltage. Or check the voltage when coasting from 80 km/h (50 MPH) in 3rd gear position (M/T), D position (A/T).

The voltage should be below 0.54V at least once during this procedure.

TROUBLE DIAGNOSIS FOR DTC P0137

Rear Heated Oxygen Sensor (Min. Voltage Monitoring) (Rear HO2S) (Cont'd)

EC-RRO2-01



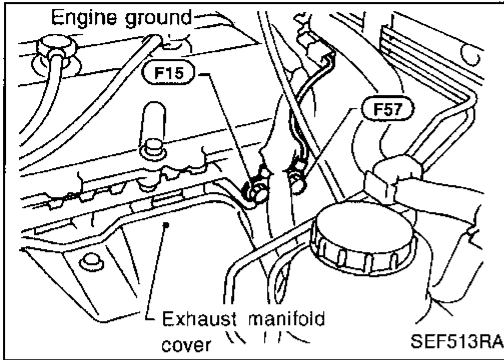
Refer to last page (Foldout page).

M63, F3

TROUBLE DIAGNOSIS FOR DTC P0137

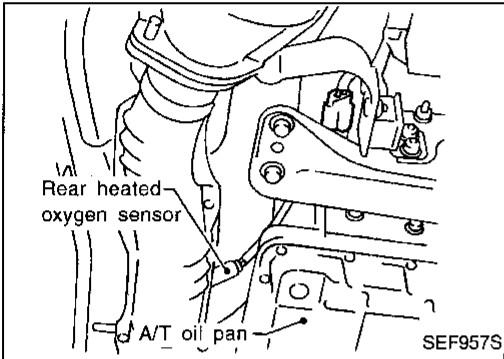
Rear Heated Oxygen Sensor (Min. Voltage Monitoring) (Rear HO2S) (Cont'd)

DIAGNOSTIC PROCEDURE



INSPECTION START

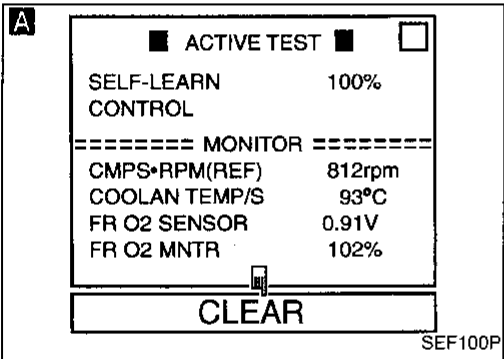
1. Turn ignition switch "OFF".
2. Loosen and retighten engine ground screws.



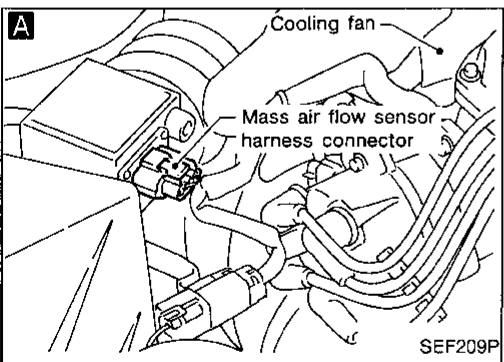
A

- CLEAR THE SELF-LEARNING DATA**
1. Start engine and warm it up to normal operating temperature.
 2. Select "SELF-LEARNING CONT" in "ACTIVE TEST" mode with CONSULT.
 3. Clear the self-learning control coefficient by touching "CLEAR".
 4. Run engine for at least 10 minutes at idle speed.
- Is the 1st trip DTC P0172 detected? Is it difficult to start engine?**

Yes
Go to "TROUBLE DIAGNOSIS FOR DTC P0172", EC-215.



- OR
2. Turn ignition switch "OFF".
 3. Disconnect mass air flow sensor harness connector, and restart and run engine for at least 3 seconds at idle speed.
 4. Stop engine and reconnect mass air flow sensor harness connector.
 5. Make sure diagnostic trouble code No. 0102 is displayed in Diagnostic Test Mode II.
 6. Erase the diagnostic test mode II (Self-diagnostic results) memory. Make sure diagnostic trouble code No. 0505 is displayed in Diagnostic Test Mode II.
 7. Run engine for at least 10 minutes at idle speed.
- Is the 1st trip DTC 0114 detected? Is it difficult to start engine?**

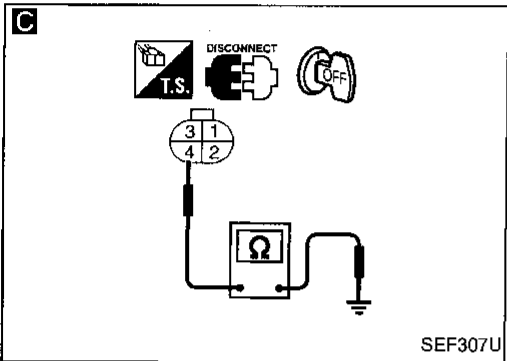
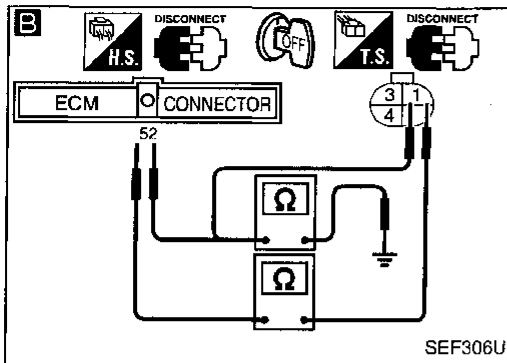


No
A

GI
MA
EM
LC
EC
FE
CL
MT
AT
PD
FA
RA
BR
ST
RS
BT
HA
EL
IDX

TROUBLE DIAGNOSIS FOR DTC P0137

Rear Heated Oxygen Sensor (Min. Voltage Monitoring) (Rear HO2S) (Cont'd)



B

CHECK INPUT SIGNAL CIRCUIT.

1. Disconnect rear heated oxygen sensor harness connector and ECM harness connector.
2. Check harness continuity between ECM terminal ⑤ and terminal ①. **Continuity should exist.**
3. Check harness continuity between ECM terminal ⑥ (or terminal ①) and ground. **Continuity should not exist.** If OK, check harness for short to ground and short to power.

NG

Check the following.

- Harness connectors (E208), (F11)
- Harness for open or short between rear heated oxygen sensor and ECM

If NG, repair open circuit or short to ground or short to power in harness or connectors.

OK

C

CHECK GROUND CIRCUIT.

Check harness continuity between terminal ④ and engine ground. **Continuity should exist.** If OK, check harness for short to ground and short to power.

NG

Check the following.

- Harness connectors (E208), (F11)
- Harness for open or short between rear heated oxygen sensor and engine ground

If NG, repair open circuit or short to ground or short to power in harness or connectors.

OK

CHECK COMPONENT (Rear heated oxygen sensor). Refer to "COMPONENT INSPECTION" on next page.

NG

Replace rear heated oxygen sensor.

OK

Perform "TROUBLE DIAGNOSIS FOR INTERMITTENT INCIDENT", EC-96.

INSPECTION END

TROUBLE DIAGNOSIS FOR DTC P0137

Rear Heated Oxygen Sensor (Min. Voltage Monitoring) (Rear HO2S) (Cont'd)

COMPONENT INSPECTION

Rear heated oxygen sensor

- 1) Start engine and warm it up to normal operating temperature.
- 2) Select "FUEL INJECTION" in "ACTIVE TEST" mode, and select "RR O2 SENSOR" as the monitor item with CONSULT.
- 3) Check "RR O2 SENSOR" at idle speed when adjusting "FUEL INJECTION" to $\pm 25\%$.

"RR O2 SENSOR" should be above 0.48V at least once when the "FUEL INJECTION" is +25%.
 "RR O2 SENSOR" should be below 0.43V at least once when the "FUEL INJECTION" is -25%.

OR

- 1) Start engine and warm it up to normal operating temperature.
- 2) Set voltmeter probes between ECM terminals 52 (sensor signal) and 43 (engine ground).
- 3) Check the voltage when racing up to 4,000 rpm under no load at least 10 times. (Depress and release accelerator pedal as soon as possible.)

The voltage should be above 0.48V at least once. If the voltage is above 0.48V at step 3, step 4 is not necessary.

- 4) Check the voltage when racing up to 6,000 rpm under no load. Or keep vehicle at idling for 10 minutes, then check the voltage. Or check the voltage when coasting from 80 km/h (50 MPH) in 3rd gear position.
- The voltage should be below 0.43V at least once.

■ ACTIVE TEST ■

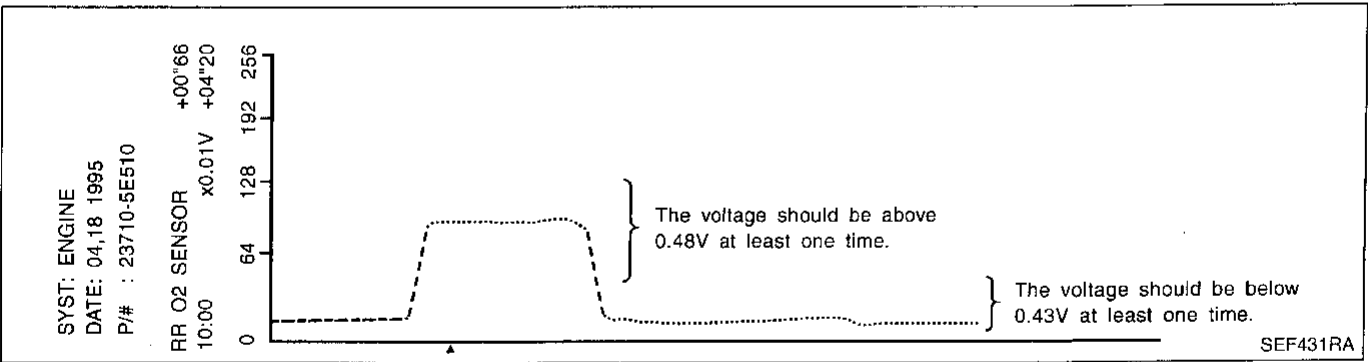
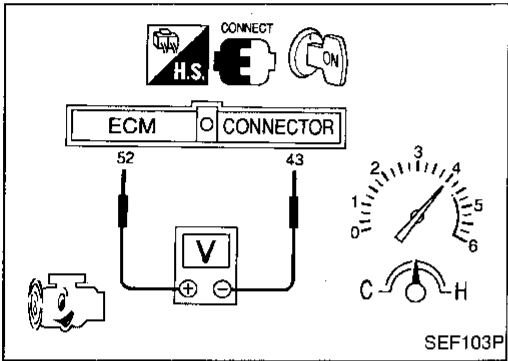
FUEL INJECTION 25%

===== MONITOR =====

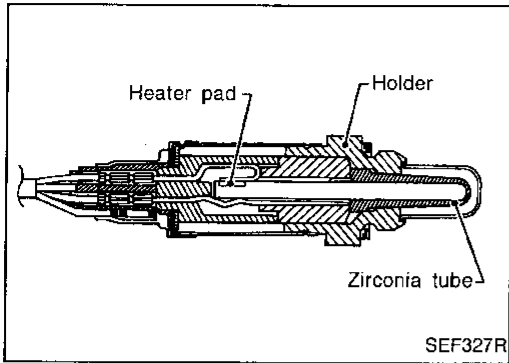
CMPS-RPM(REF)	725rpm
FR O2 SENSOR	0.94V
RR O2 SENSOR	1.89V
FR O2 MNTR	RICH
RR O2 MNTR	RICH

Qu
UP
DWN
Qd

SEF102P



TROUBLE DIAGNOSIS FOR DTC P0138



Rear Heated Oxygen Sensor (Max. Voltage Monitoring) (Rear HO2S)

COMPONENT DESCRIPTION

The rear heated oxygen sensor (Rear HO2S), after three way catalyst, monitors the oxygen level in the exhaust gas.

Even if switching characteristics of the front heated oxygen sensor are shifted, the air fuel ratio is controlled to stoichiometric, by the signal from the rear heated oxygen sensor.

This sensor is made of ceramic zirconia. The zirconia generates voltage from approximately 1V in richer conditions to 0V in leaner conditions.

Under normal conditions the rear heated oxygen sensor is not used for engine control operation.

CONSULT REFERENCE VALUE IN DATA MONITOR MODE

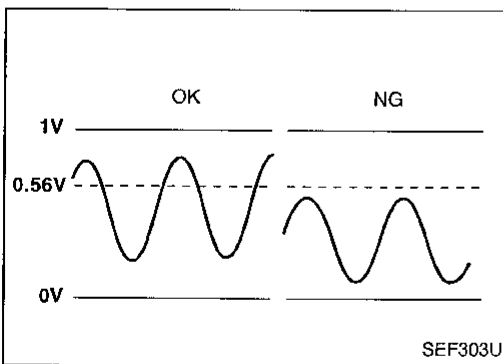
Specification data are reference values.

MONITOR ITEM	CONDITION		SPECIFICATION
RR O2 SENSOR	● Engine: After warming up	Revsing engine from idle to 3,000 rpm quickly	0 - 0.3V ↔ Approx. 0.6 - 1.0V
RR O2 MNTR			LEAN ↔ RICH

ECM TERMINALS AND REFERENCE VALUE

Specification data are reference values and are measured between each terminal and Ⓧ (ECCS ground).

TER-MINAL NO.	WIRE COLOR	ITEM	CONDITION	DATA (DC Voltage)
52	W	Rear heated oxygen sensor	<div style="border: 1px solid black; padding: 2px; display: inline-block;">Engine is running.</div> After warming up to normal operating temperature and revving engine from idle to 3,000 rpm quickly	0 - Approximately 1.0V



ON BOARD DIAGNOSIS LOGIC

The rear heated oxygen sensor has a much longer switching time between rich and lean than the front heated oxygen sensor. The oxygen storage capacity before the three way catalyst causes the longer switching time. To judge the malfunctions of rear heated oxygen sensor, ECM monitors whether the maximum voltage of the sensor is sufficiently high during the various driving condition such as fuel-cut.

Diagnostic Trouble Code No.	Malfunction is detected when ...	Check Items (Possible Cause)
P0138 0510	● The maximum voltage from the sensor is not reached to the specified voltage.	<ul style="list-style-type: none"> ● Harness or connectors (The sensor circuit is open or shorted.) ● Rear heated oxygen sensor ● Fuel pressure ● Injectors ● Intake air leaks

TROUBLE DIAGNOSIS FOR DTC P0138

Rear Heated Oxygen Sensor (Max. Voltage Monitoring) (Rear HO2S) (Cont'd)

DIAGNOSTIC TROUBLE CODE CONFIRMATION PROCEDURE

CAUTION:

Always drive vehicle at a safe speed.

NOTE:

- "COMPLETED" will appear on CONSULT screen when all tests "COND1", "COND2" and "COND3" are completed.
- If "DIAGNOSTIC TROUBLE CODE CONFIRMATION PROCEDURE" has been previously conducted, always turn ignition switch "OFF" and wait at least 5 seconds before conducting the next test.

TESTING CONDITION:

- Never stop engine during this test. If the engine is stopped, reperform this test from step 2).
- Always perform at a temperature of more than -10°C (14°F).



Procedure for COND1

- 1) Start engine and warm it up to normal operating temperature.
- 2) Turn ignition switch "OFF" and wait at least 5 seconds.
- 3) Turn ignition switch "ON" and select "RR O2 SENSOR P0138" of "REAR O2 SENSOR" in "DTC WORK SUPPORT" mode with CONSULT.
- 4) Touch "START".
- 5) Start engine and let it idle for at least 30 seconds.
- 6) Rev engine up to 2,000 rpm 2 or 3 times quickly under no load.

If "COMPLETED" appears on CONSULT screen, go to step 10).

If "COMPLETED" does not appear on CONSULT screen, go to the following step.

- 7) When the following conditions are met, "TESTING" will be displayed at "COND1" on the CONSULT screen. Maintain the conditions continuously until "TESTING" changes to "COMPLETED". (It will take approximately 60 seconds.)

**CMPS-RPM (REF): 1,550 - 2,600 rpm (A/T)
1,750 - 2,600 rpm (M/T)**

Vehicle speed: 64 - 120 km/h (40 - 75 MPH)

B/FUEL SCHDL: 0.7 - 4.5 ms

Selector lever: Suitable position

NOTE:

- If "TESTING" is not displayed after 5 minutes, retry from step 2).
- If "COMPLETED" already appears at "COND2" on CONSULT screen before "Procedure for COND2" is conducted, it is unnecessary to conduct step 8).

Procedure for COND2

- 8) While driving, release accelerator pedal completely with "OD" OFF (A/T models only) from the above condition [step 7] until "INCOMPLETE" at "COND2" on CONSULT screen is turned to "COMPLETED". (It will take approximately 4 seconds.)

■ RR O2 SENSOR P0138 ■ □	
COND1: OUT OF COND	
COND2: INCOMPLETE	
COND3: INCOMPLETE	
===== MONITOR =====	
CMPS-RPM(REF)	912rpm
THRTL POS SEN	0.51V
B/FUEL SCHDL	1.0ms

SEF282U

■ RR O2 SENSOR P0138 ■ □	
COND1: TESTING	
COND2: INCOMPLETE	
COND3: INCOMPLETE	
===== MONITOR =====	
CMPS-RPM(REF)	1687rpm
THRTL POS SEN	0.94V
B/FUEL SCHDL	3.6ms

SEF283U

■ RR O2 SENSOR P0138 ■ □	
COND1: COMPLETED	
COND2: INCOMPLETE	
COND3: INCOMPLETE	
===== MONITOR =====	
CMPS-RPM(REF)	1687rpm
THRTL POS SEN	0.94V
B/FUEL SCHDL	3.6ms

SEF284U

■ RR O2 SENSOR P0138 ■ □	
COND1: COMPLETED	
COND2: COMPLETED	
COND3: INCOMPLETE	
===== MONITOR =====	
CMPS-RPM(REF)	1050rpm
THRTL POS SEN	0.51V
B/FUEL SCHDL	1.0ms

SEF285U

GI

MA

EM

LC

EC

FE

CL

MT

AT

PD

FA

RA

BR

ST

RS

BT

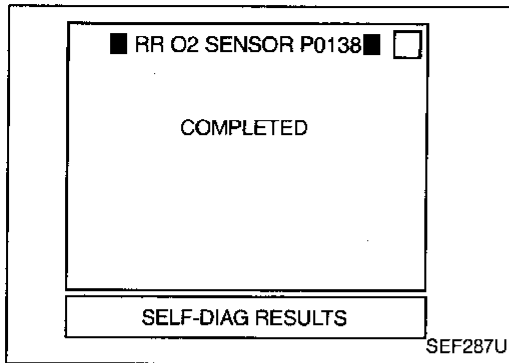
HA

EL

IDX

TROUBLE DIAGNOSIS FOR DTC P0138

Rear Heated Oxygen Sensor (Max. Voltage Monitoring) (Rear HO2S) (Cont'd)



NOTE:

- If "TESTING" is not displayed after 5 minutes, retry from step 2).
- If "COMPLETED" already appears at "COND3" on CONSULT screen before "Procedure for COND3" is conducted, it is unnecessary to conduct step 9).

Procedure for COND3

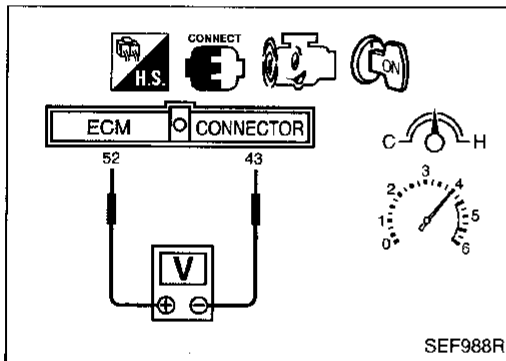
- 9) Stop vehicle and let it idle until "INCOMPLETE" of "COND3" on CONSULT screen has turned to "COMPLETED". (It will take a maximum of approximately 6 minutes.)

NOTE:

If "TESTING" is not displayed after 5 minutes, retry from step 2).

- 10) Make sure that "OK" is displayed after touching "SELF-DIAG RESULTS".

If "NG" is displayed, refer to "DIAGNOSTIC PROCEDURE", EC-192.



OR

OVERALL FUNCTION CHECK

Use this procedure to check the overall function of the rear heated oxygen sensor circuit. During this check, a 1st trip DTC might not be confirmed.



- 1) Start engine and warm it up to normal operating temperature.
- 2) Set voltmeter probes between ECM terminals ⑤② (sensor signal) and ④③ (engine ground).
- 3) Check the voltage when revving engine up to 4,000 rpm under no load at least 10 times.
(Depress and release accelerator pedal as soon as possible.)

The voltage should be above 0.56V at least once during this procedure.

If the voltage can be confirmed in step 3, step 4 is not necessary.

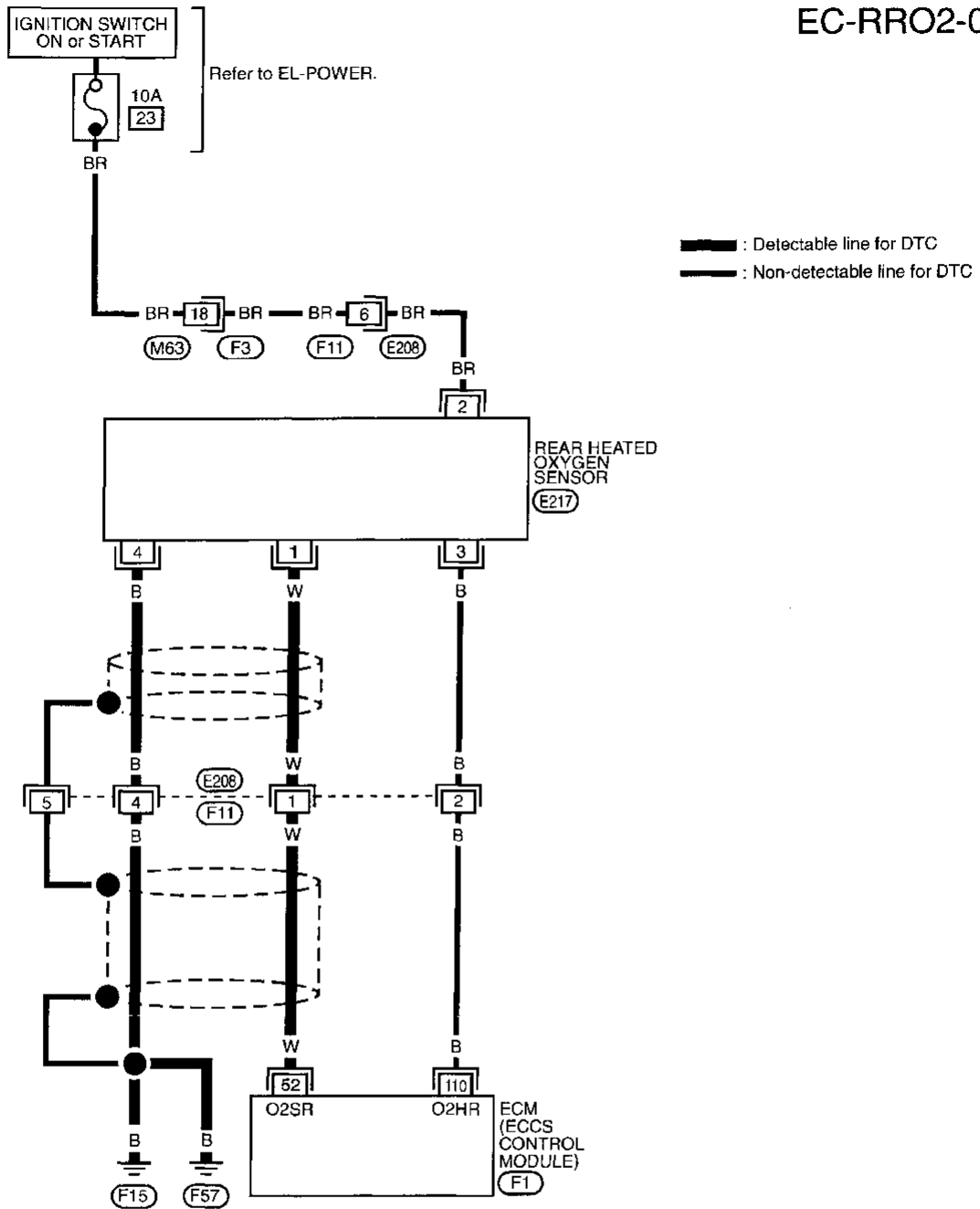
- 4) Keep vehicle at idling for 10 minutes, then check the voltage. Or check the voltage when coasting from 80 km/h (50 MPH) in 3rd gear position (M/T), D position (A/T).

The voltage should be above 0.56V at least once during this procedure.

TROUBLE DIAGNOSIS FOR DTC P0138

Rear Heated Oxygen Sensor (Max. Voltage Monitoring) (Rear HO2S) (Cont'd)

EC-RRO2-01



GI

MA

EM

LC

EC

FE

CL

MT

AT

PD

FA

RA

BR

ST

RS

BT

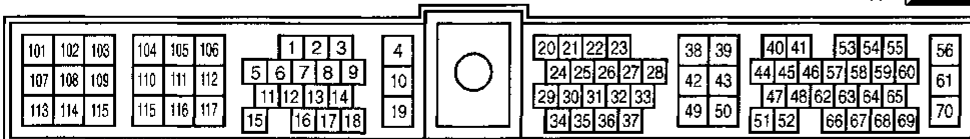
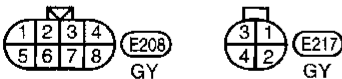
HA

EL

IDX

Refer to last page (Foldout page).

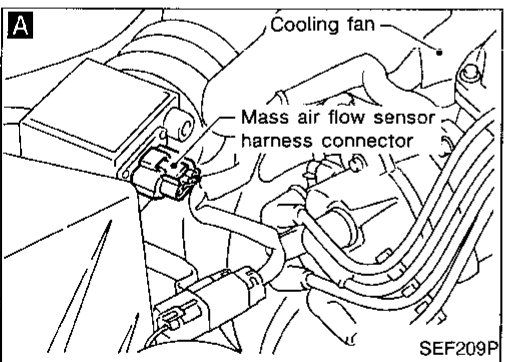
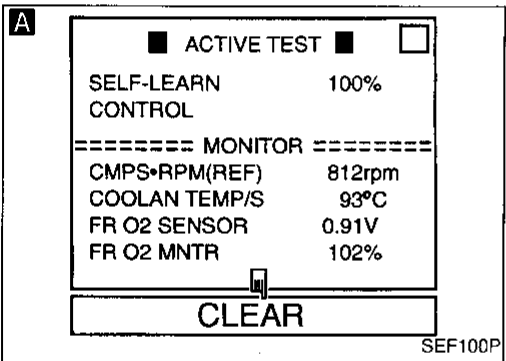
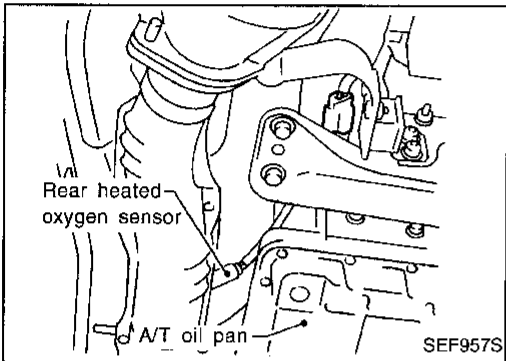
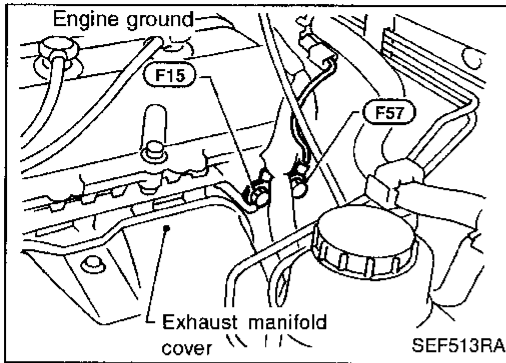
(M63), (F3)



TROUBLE DIAGNOSIS FOR DTC P0138

Rear Heated Oxygen Sensor (Max. Voltage Monitoring) (Rear HO2S) (Cont'd)

DIAGNOSTIC PROCEDURE



INSPECTION START

1. Turn ignition switch "OFF".
2. Loosen and retighten engine ground screws.

A

CLEAR THE SELF-LEARNING DATA

1. Start engine and warm it up to normal operating temperature.
 2. Select "SELF-LEARNING CONT" in "ACTIVE TEST" mode with CONSULT.
 3. Clear the self-learning control coefficient by touching "CLEAR".
 4. Run engine for at least 10 minutes at idle speed.
- Is the 1st trip DTC P0171 detected? Is it difficult to start engine?**

Yes

Go to "TROUBLE DIAGNOSIS FOR DTC P0171", EC-210.

OR

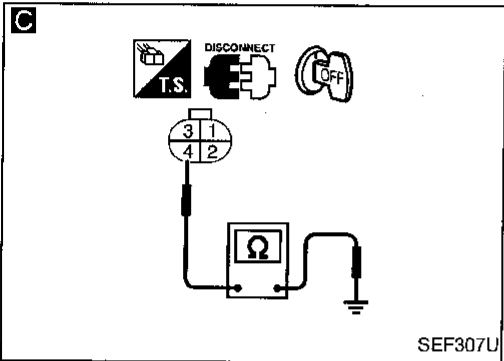
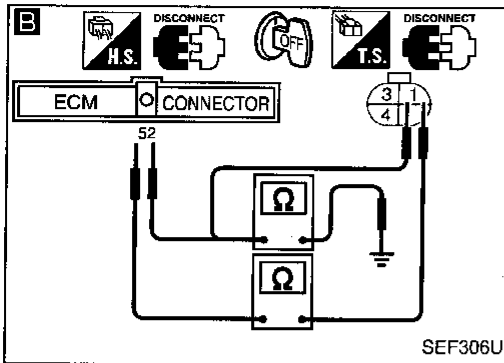
2. Turn ignition switch "OFF".
 3. Disconnect mass air flow sensor harness connector, and restart and run engine for at least 3 seconds at idle speed.
 4. Stop engine and reconnect mass air flow sensor harness connector.
 5. Make sure diagnostic trouble code No. 0102 is displayed in Diagnostic Test Mode II.
 6. Erase the diagnostic test mode II (Self-diagnostic results) memory. Make sure diagnostic trouble code No. 0505 is displayed in Diagnostic Test Mode II.
 7. Run engine for at least 10 minutes at idle speed.
- Is the 1st trip DTC 0115 detected? Is it difficult to start engine?**

No

A

TROUBLE DIAGNOSIS FOR DTC P0138

Rear Heated Oxygen Sensor (Max. Voltage Monitoring) (Rear HO2S) (Cont'd)



B

CHECK INPUT SIGNAL CIRCUIT.

1. Disconnect rear heated oxygen sensor harness connector and ECM harness connector.
2. Check harness continuity between ECM terminal ⑤ and terminal ① .
Continuity should exist.
3. Check harness continuity between ECM terminal ⑥ (or terminal ①) and ground.
Continuity should not exist.
If OK, check harness for short to ground and short to power.

NG

Check the following.

- Harness connectors (E208, F11)
- Harness for open or short between rear heated oxygen sensor and ECM

If NG, repair open circuit or short to ground or short to power in harness or connectors.

OK

C

CHECK GROUND CIRCUIT.
Check harness continuity between terminal ④ and engine ground.
Continuity should exist.
If OK, check harness for short to ground and short to power.

NG

Check the following.

- Harness connectors (E208, F11)
- Harness for open or short between rear heated oxygen sensor and engine ground

If NG, repair open circuit or short to ground or short to power in harness or connectors.

OK

CHECK COMPONENT
(Rear heated oxygen sensor).
Refer to "COMPONENT INSPECTION" on next page.

NG

Replace rear heated oxygen sensor.

OK

Perform "TROUBLE DIAGNOSIS FOR INTERMITTENT INCIDENT", EC-96.

INSPECTION END

GI
MA
EM
LC
EC
FE
CL
MT
AT
PD
FA
RA
BR
ST
RS
BT
HA
EL
IDX

TROUBLE DIAGNOSIS FOR DTC P0138

Rear Heated Oxygen Sensor (Max. Voltage Monitoring) (Rear HO2S) (Cont'd)

COMPONENT INSPECTION

Rear heated oxygen sensor

- 1) Start engine and warm it up to normal operating temperature.
- 2) Select "FUEL INJECTION" in "ACTIVE TEST" mode, and select "RR O2 SENSOR" as the monitor item with CONSULT.
- 3) Check "RR O2 SENSOR" at idle speed when adjusting "FUEL INJECTION" to $\pm 25\%$.

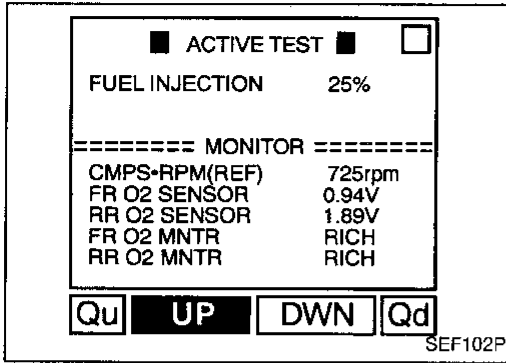
"RR O2 SENSOR" should be above 0.48V at least once when the "FUEL INJECTION" is +25%.
 "RR O2 SENSOR" should be below 0.43V at least once when the "FUEL INJECTION" is -25%.

OR

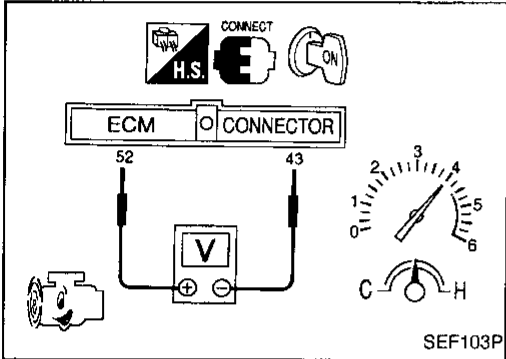
- 1) Start engine and warm it up to normal operating temperature.
- 2) Set voltmeter probes between ECM terminals ⑤ (sensor signal) and ④ (engine ground).
- 3) Check the voltage when racing up to 4,000 rpm under no load at least 10 times. (Depress and release accelerator pedal as soon as possible.)

The voltage should be above 0.48V at least once.
 If the voltage is above 0.48V at step 3, step 4 is not necessary.

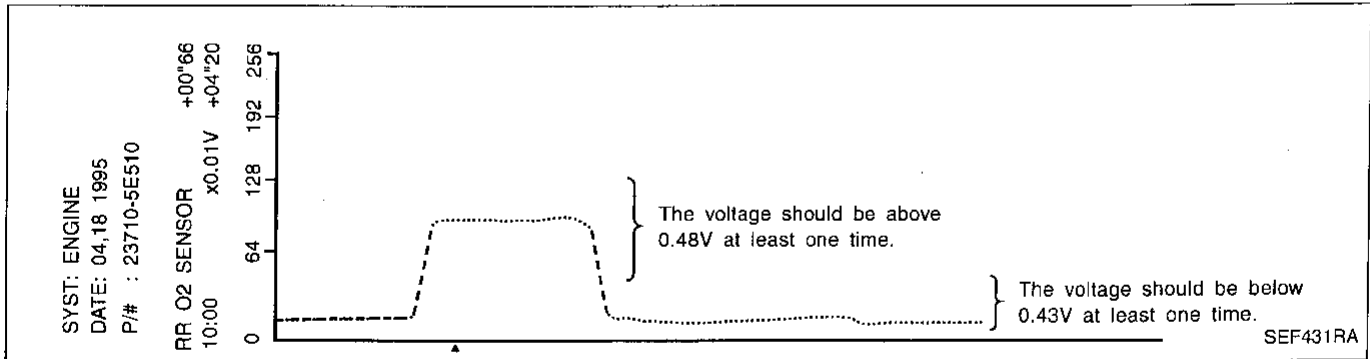
- 4) Check the voltage when racing up to 6,000 rpm under no load. Or keep vehicle at idling for 10 minutes, then check the voltage. Or check the voltage when coasting from 80 km/h (50 MPH) in 3rd gear position.
 The voltage should be below 0.43V at least once.



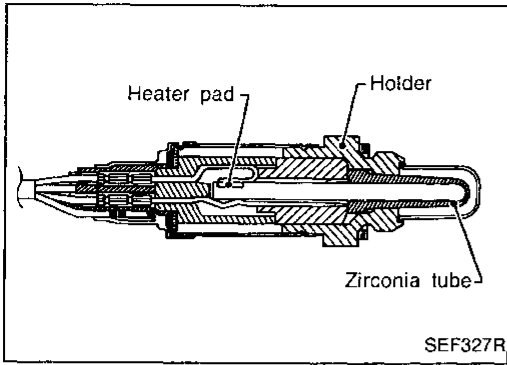
SEF102P



SEF103P



TROUBLE DIAGNOSIS FOR DTC P0139



Rear Heated Oxygen Sensor (Response Monitoring) (Rear HO2S)

COMPONENT DESCRIPTION

The rear heated oxygen sensor (Rear HO2S), after three way catalyst, monitors the oxygen level in the exhaust gas.

Even if switching characteristics of the front heated oxygen sensor are shifted, the air fuel ratio is controlled to stoichiometric, by the signal from the rear heated oxygen sensor.

This sensor is made of ceramic zirconia. The zirconia generates voltage from approximately 1V in richer conditions to 0V in leaner conditions.

Under normal conditions the rear heated oxygen sensor is not used for engine control operation.

CONSULT REFERENCE VALUE IN DATA MONITOR MODE

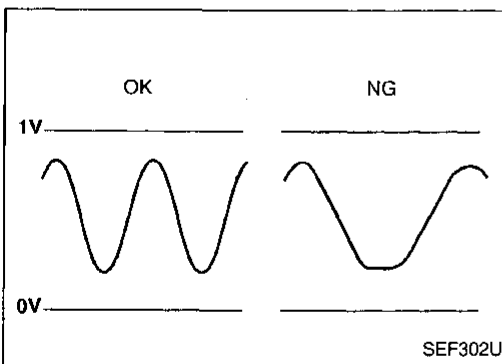
Specification data are reference values.

MONITOR ITEM	CONDITION	SPECIFICATION
RR O2 SENSOR	<ul style="list-style-type: none"> Engine: After warming up Revving engine from idle to 3,000 rpm quickly	0 - 0.3V ↔ Approx. 0.6 - 1.0V
RR O2 MNTR		LEAN ↔ RICH

ECM TERMINALS AND REFERENCE VALUE

Specification data are reference values and are measured between each terminal and Ⓧ (ECCS ground).

TER-MINAL NO.	WIRE COLOR	ITEM	CONDITION	DATA (DC Voltage)
52	W	Rear heated oxygen sensor	Engine is running. After warming up to normal operating temperature and revving engine from idle to 3,000 rpm quickly	0 - Approximately 1.0V



ON BOARD DIAGNOSIS LOGIC

The rear heated oxygen sensor has a much longer switching time between rich and lean than the front heated oxygen sensor. The oxygen storage capacity before the three way catalyst causes the longer switching time. To judge the malfunctions of rear heated oxygen sensor, ECM monitors whether the switching response of the sensor's voltage is faster than specified during the various driving condition such as fuel-cut.

Diagnostic Trouble Code No.	Malfunction is detected when ...	Check Items (Possible Cause)
P0139 0707	<ul style="list-style-type: none"> It takes more time for the sensor to respond between rich and lean than the specified time. 	<ul style="list-style-type: none"> Harness or connectors (The sensor circuit is open or shorted.) Rear heated oxygen sensor Fuel pressure Injectors Intake air leaks

TROUBLE DIAGNOSIS FOR DTC P0139

Rear Heated Oxygen Sensor (Response Monitoring) (Rear HO2S) (Cont'd)

DIAGNOSTIC TROUBLE CODE CONFIRMATION PROCEDURE

CAUTION:

Always drive vehicle at a safe speed.

NOTE:

- "COMPLETED" will appear on CONSULT screen when all tests "COND1", "COND2" and "COND3" are completed.
- If "DIAGNOSTIC TROUBLE CODE CONFIRMATION PROCEDURE" has been previously conducted, always turn ignition switch "OFF" and wait at least 5 seconds before conducting the next test.

TESTING CONDITION:

- Never stop engine during this test. If the engine is stopped, reperform this test from step 2).
- Always perform at a temperature of more than -10°C (14°F).



Procedure for COND1

- 1) Start engine and warm it up to normal operating temperature.
- 2) Turn ignition switch "OFF" and wait at least 5 seconds.
- 3) Turn ignition switch "ON" and select "RR O2 SENSOR P0139" of "REAR O2 SENSOR" in "DTC WORK SUPPORT" mode with CONSULT.
- 4) Touch "START".
- 5) Start engine and let it idle for at least 30 seconds.
- 6) Rev engine up to 2,000 rpm 2 or 3 times quickly under no load.
If "COMPLETED" appears on CONSULT screen, go to step 10).
If "COMPLETED" does not appear on CONSULT screen, go to the following step.
- 7) When the following conditions are met, "TESTING" will be displayed at "COND1" on the CONSULT screen. Maintain the conditions continuously until "TESTING" changes to "COMPLETED". (It will take approximately 60 seconds.)

**CMPS-RPM (REF): 1,550 - 2,600 rpm (A/T)
1,750 - 2,600 rpm (M/T)**

Vehicle speed: 64 - 120 km/h (40 - 75 MPH)

B/FUEL SCHDL: 0.7 - 4.5 ms

Selector lever: Suitable position

NOTE:

- If "TESTING" is not displayed after 5 minutes, retry from step 2).
- If "COMPLETED" already appears at "COND2" on CONSULT screen before "Procedure for COND2" is conducted, it is unnecessary to conduct step 8).

Procedure for COND2

- 8) While driving, release accelerator pedal completely with "OD" OFF (A/T models only) from the above condition [step 7] until "INCOMPLETE" at "COND2" on CONSULT screen has turned to "COMPLETED". (It will take approximately 4 seconds.)

■ RR O2 SENSOR P0139 ■ <input type="checkbox"/>	
COND1: OUT OF COND	
COND2: INCOMPLETE	
COND3: INCOMPLETE	
===== MONITOR =====	
CMPS-RPM(REF)	912rpm
THRTL POS SEN	0.51V
B/FUEL SCHDL	1.0ms

SEF288U

■ RR O2 SENSOR P0139 ■ <input type="checkbox"/>	
COND1: TESTING	
COND2: INCOMPLETE	
COND3: INCOMPLETE	
===== MONITOR =====	
CMPS-RPM(REF)	1687rpm
THRTL POS SEN	0.94V
B/FUEL SCHDL	3.6ms

SEF289U

■ RR O2 SENSOR P0139 ■ <input type="checkbox"/>	
COND1: COMPLETED	
COND2: INCOMPLETE	
COND3: INCOMPLETE	
===== MONITOR =====	
CMPS-RPM(REF)	1687rpm
THRTL POS SEN	0.94V
B/FUEL SCHDL	3.6ms

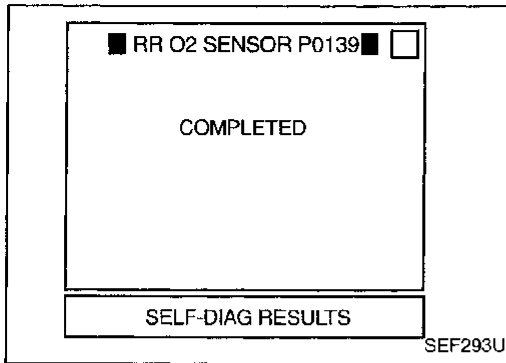
SEF290U

■ RR O2 SENSOR P0139 ■ <input type="checkbox"/>	
COND1: COMPLETED	
COND2: COMPLETED	
COND3: INCOMPLETE	
===== MONITOR =====	
CMPS-RPM(REF)	1050rpm
THRTL POS SEN	0.51V
B/FUEL SCHDL	1.0ms

SEF291U

TROUBLE DIAGNOSIS FOR DTC P0139

Rear Heated Oxygen Sensor (Response Monitoring) (Rear HO2S) (Cont'd)



NOTE:

- If "TESTING" is not displayed after 5 minutes, retry from step 2).
- If "COMPLETED" already appears at "COND3" on CONSULT screen before "Procedure for COND3" is conducted, it is unnecessary to conduct step 9).

Procedure for COND3

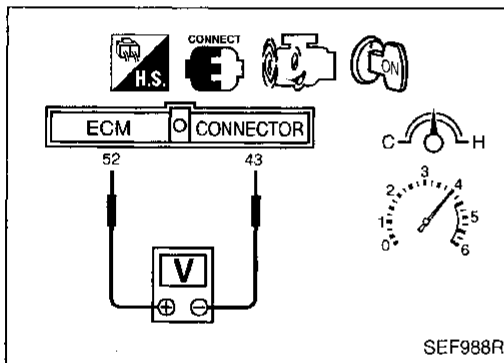
- 9) Stop vehicle and let it idle until "INCOMPLETE" of "COND3" on CONSULT screen has turned to "COMPLETED". (It will take a maximum of approximately 6 minutes.)

NOTE:

If "TESTING" is not displayed after 5 minutes, retry from step 2).

- 10) Make sure that "OK" is displayed after touching "SELF-DIAG RESULTS".

If "NG" is displayed, refer to "DIAGNOSTIC PROCEDURE", EC-199.



OR

OVERALL FUNCTION CHECK

Use this procedure to check the overall function of the rear heated oxygen sensor circuit. During this check, a 1st trip DTC might not be confirmed.

- 1) Start engine and warm it up to normal operating temperature.
- 2) Set voltmeter probes between ECM terminals 52 (sensor signal) and 43 (engine ground).
- 3) Check the voltage when racing up to 4,000 rpm under no load at least 10 times.
(Depress and release accelerator pedal as soon as possible.)

The voltage should change at more than 0.06V for 1 second during this procedure.

If the voltage can be confirmed in step 3, step 4 is not necessary.

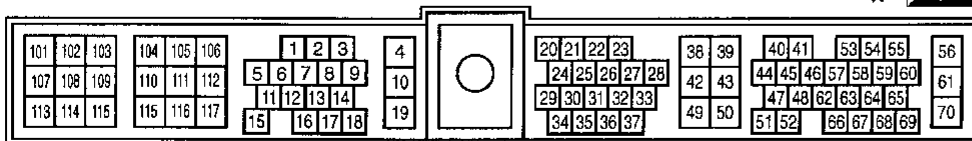
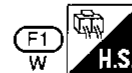
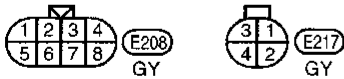
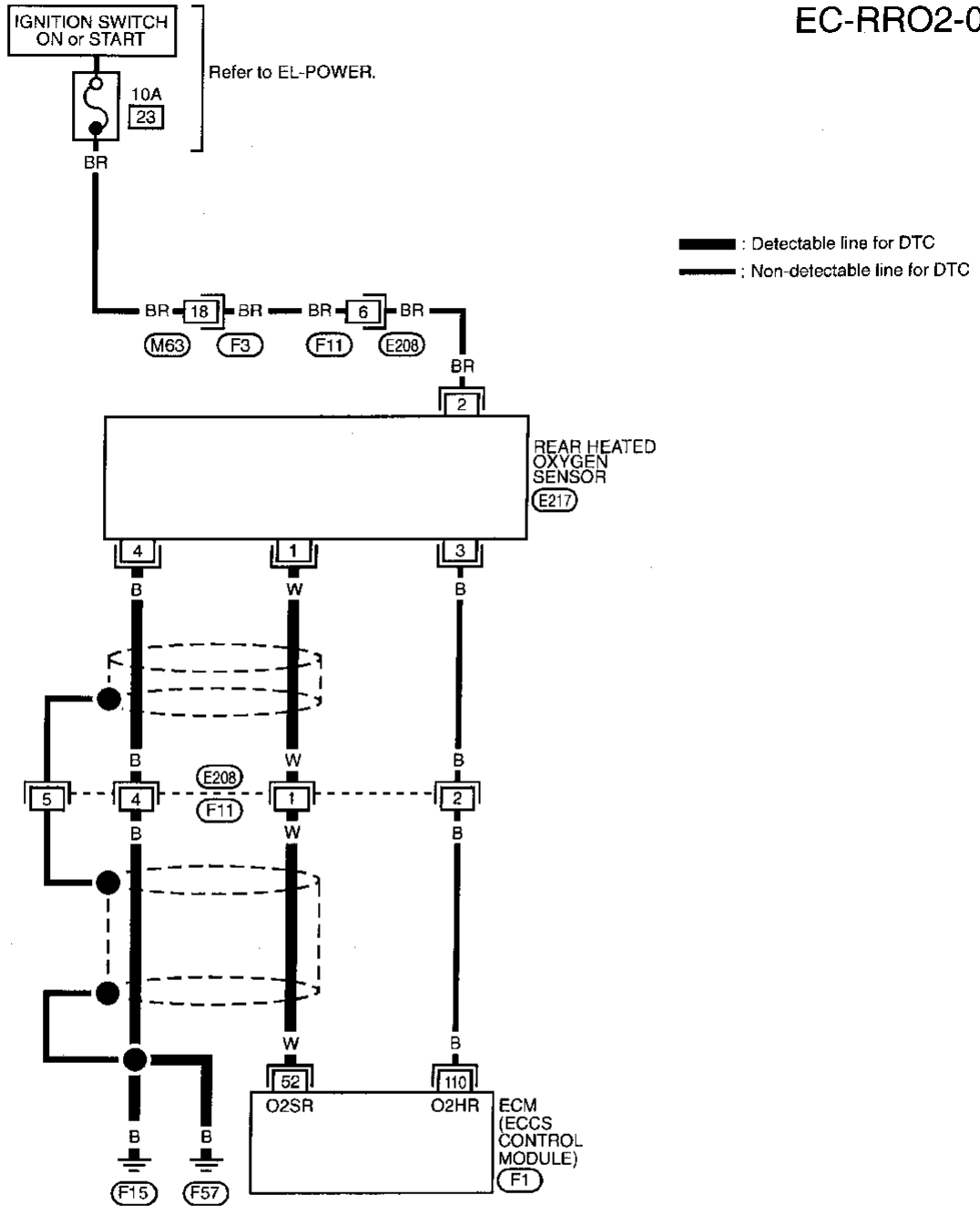
- 4) Keep vehicle at idling for 10 minutes, then check the voltage. Or check the voltage when coasting from 80 km/h (50 MPH) in 3rd gear position (M/T), D position (A/T).

The voltage should change at more than 0.06V for 1 second during this procedure.

TROUBLE DIAGNOSIS FOR DTC P0139

Rear Heated Oxygen Sensor (Response Monitoring) (Rear HO2S) (Cont'd)

EC-RRO2-01



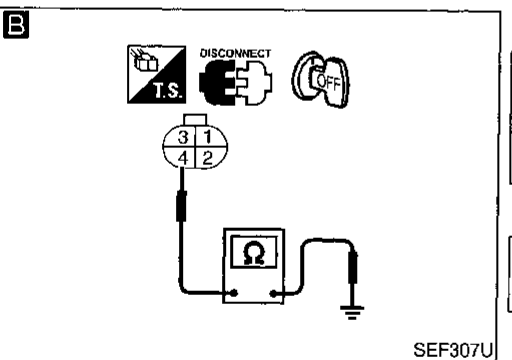
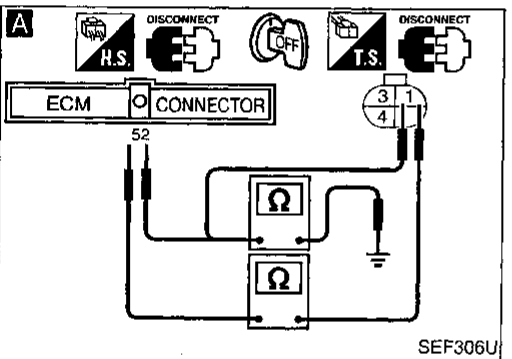
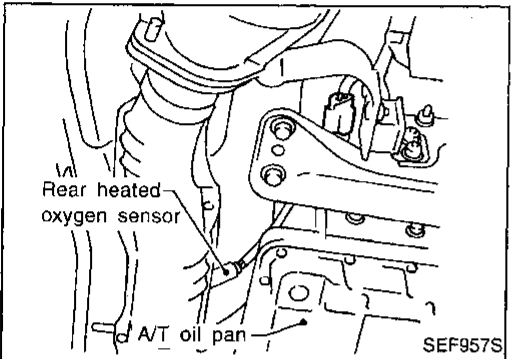
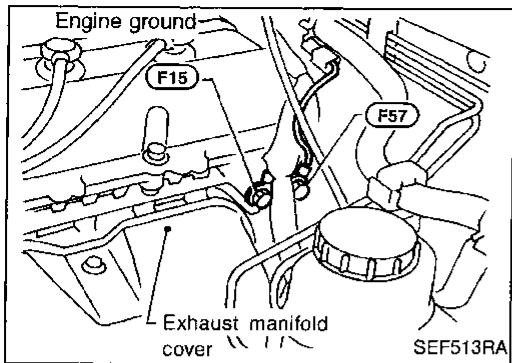
Refer to last page (Foldout page).

(M63) , (F3)

TROUBLE DIAGNOSIS FOR DTC P0139

Rear Heated Oxygen Sensor (Response Monitoring) (Rear HO2S) (Cont'd)

DIAGNOSTIC PROCEDURE



INSPECTION START

1. Turn ignition switch "OFF".
2. Loosen and retighten engine ground screws.

A

CHECK INPUT SIGNAL CIRCUIT.

1. Disconnect rear heated oxygen sensor RH harness connector and ECM harness connector.
2. Check harness continuity between ECM terminal ② and terminal ①. **Continuity should exist.**
3. Check harness continuity between ECM terminal ② (or terminal ①) and ground. **Continuity should not exist.** If OK, check harness for short to ground and short to power.

NG

Check the following.

- Harness connectors (E208), (F11)
- Harness for open or short between rear heated oxygen sensor and ECM

If NG, repair open circuit or short to ground or short to power in harness or connectors.

B

CHECK GROUND CIRCUIT.

Check harness continuity between terminal ④ and engine ground. **Continuity should exist.**

If OK, check harness for short to ground and short to power.

NG

Check the following.

- Harness connectors (E208), (F11)
- Harness for open or short between rear heated oxygen sensor and engine ground

If NG, repair open circuit or short to ground or short to power in harness or connectors.

CHECK COMPONENT (Rear heated oxygen sensor). Refer to "COMPONENT INSPECTION" on next page.

NG

Replace rear heated oxygen sensor.

OK

Perform "TROUBLE DIAGNOSIS FOR INTERMITTENT INCIDENT", EC-96.

INSPECTION END

GI
MA
EM
LC
EC
FE
CL
MT
AT
PD
FA
RA
BR
ST
RS
BT
HA
EL
IDX

TROUBLE DIAGNOSIS FOR DTC P0139

Rear Heated Oxygen Sensor (Response Monitoring) (Rear HO2S) (Cont'd)

COMPONENT INSPECTION

Rear heated oxygen sensor

- 1) Start engine and warm it up to normal operating temperature.
- 2) Select "FUEL INJECTION" in "ACTIVE TEST" mode, and select "RR O2 SENSOR" as the monitor item with CONSULT.
- 3) Check "RR O2 SENSOR" at idle speed when adjusting "FUEL INJECTION" to $\pm 25\%$.

"RR O2 SENSOR" should be above 0.48V at least once when the "FUEL INJECTION" is +25%.

"RR O2 SENSOR" should be below 0.43V at least once when the "FUEL INJECTION" is -25%.

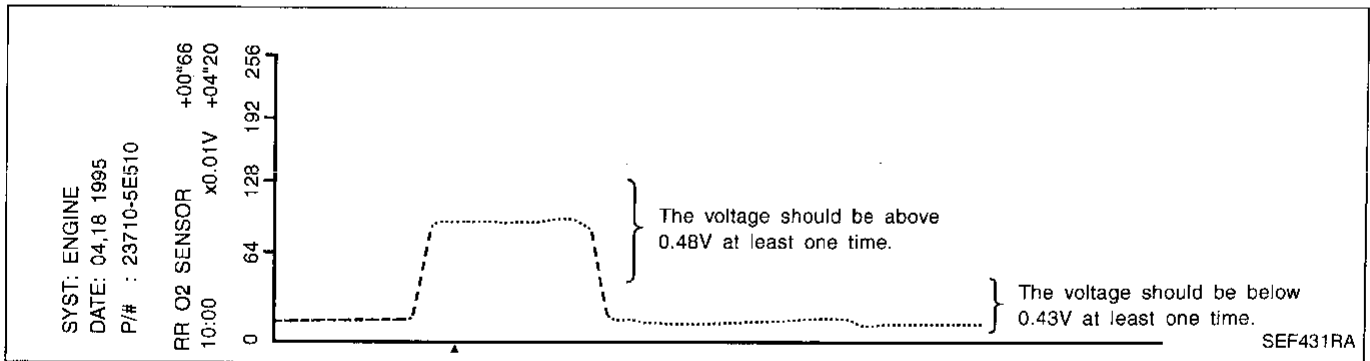
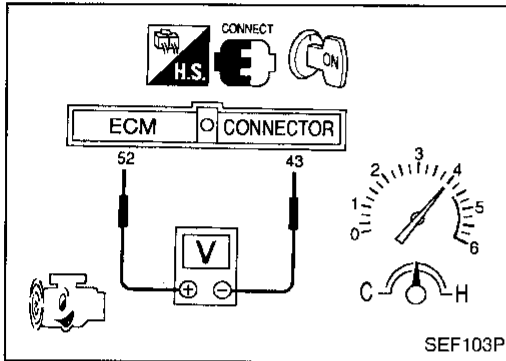
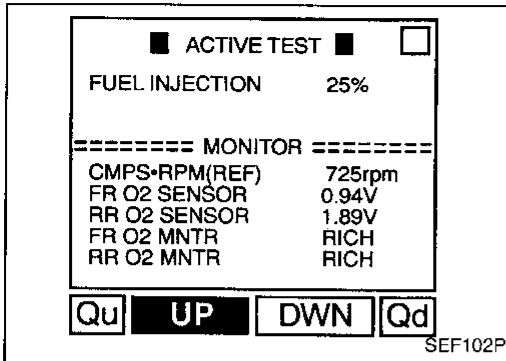
OR

- 1) Start engine and warm it up to normal operating temperature.
- 2) Set voltmeter probes between ECM terminals ⑤② (sensor signal) and ④③ (engine ground).
- 3) Check the voltage when racing up to 4,000 rpm under no load at least 10 times. (Depress and release accelerator pedal as soon as possible.)

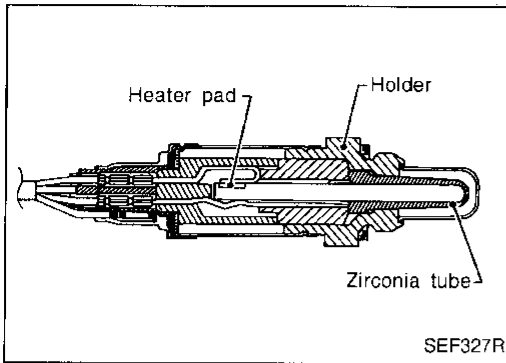
The voltage should be above 0.48V at least once. If the voltage is above 0.48V at step 3, step 4 is not necessary.

- 4) Check the voltage when racing up to 6,000 rpm under no load. Or keep vehicle at idling for 10 minutes, then check the voltage. Or check the voltage when coasting from 80 km/h (50 MPH) in 3rd gear position.

The voltage should be below 0.43V at least once.



TROUBLE DIAGNOSIS FOR DTC P0140



Rear Heated Oxygen Sensor (High Voltage) (Rear HO2S)

COMPONENT DESCRIPTION

The rear heated oxygen sensor (Rear HO2S), after three way catalyst, monitors the oxygen level in the exhaust gas.

Even if switching characteristics of the front heated oxygen sensor are shifted, the air fuel ratio is controlled to stoichiometric, by the signal from the rear heated oxygen sensor.

This sensor is made of ceramic zirconia. The zirconia generates voltage from approximately 1V in richer conditions to 0V in leaner conditions.

Under normal conditions the rear heated oxygen sensor is not used for engine control operation.

CONSULT REFERENCE VALUE IN DATA MONITOR MODE

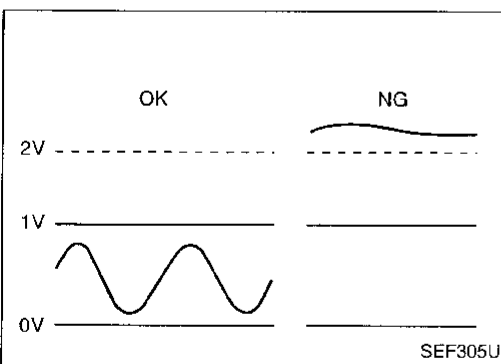
Specification data are reference values.

MONITOR ITEM	CONDITION	SPECIFICATION
RR O2 SENSOR	<ul style="list-style-type: none"> Engine: After warming up Revving engine from idle to 3,000 rpm quickly	0 - 0.3V ↔ Approx. 0.6 - 1.0V
RR O2 MNTR		LEAN ↔ RICH

ECM TERMINALS AND REFERENCE VALUE

Specification data are reference values and are measured between each terminal and ④ (ECCS ground).

TERMINAL NO.	WIRE COLOR	ITEM	CONDITION	DATA (DC Voltage)
52	W	Rear heated oxygen sensor	Engine is running. After warming up to normal operating temperature and revving engine from idle to 3,000 rpm quickly	0 - Approximately 1.0V



ON BOARD DIAGNOSIS LOGIC

The rear heated oxygen sensor has a much longer switching time between rich and lean than the front heated oxygen sensor. The oxygen storage capacity before the three way catalyst causes the longer switching time. To judge the malfunctions of rear heated oxygen sensor, ECM monitors whether or not the voltage is too high during the various driving condition such as fuel-cut.

Diagnostic Trouble Code No.	Malfunction is detected when ...	Check Items (Possible Cause)
P0140 0512	<ul style="list-style-type: none"> An excessively high voltage from the sensor is sent to ECM. 	<ul style="list-style-type: none"> Harness or connectors (The sensor circuit is open or shorted.) Rear heated oxygen sensor

TROUBLE DIAGNOSIS FOR DTC P0140

Rear Heated Oxygen Sensor (High Voltage) (Rear HO2S) (Cont'd)

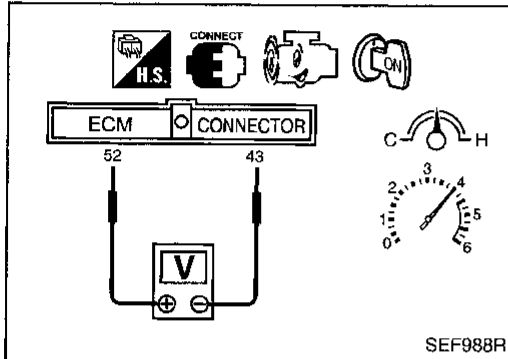
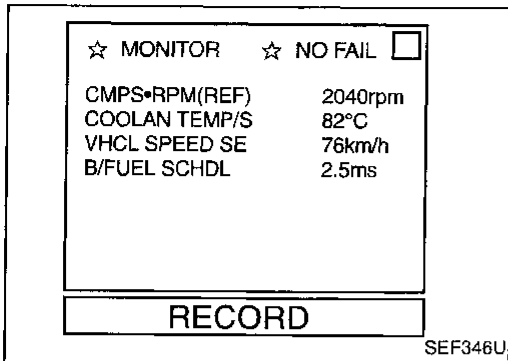
DIAGNOSTIC TROUBLE CODE CONFIRMATION PROCEDURE

CAUTION:

Always drive vehicle at a safe speed.

NOTE:

If "DIAGNOSTIC TROUBLE CODE CONFIRMATION PROCEDURE" has been previously conducted, always turn ignition switch "OFF" and wait at least 5 seconds before conducting the next test.



- 1) Turn ignition switch "ON" and select "DATA MONITOR" mode with CONSULT.
- 2) Meet the following conditions once.
CMPS•RPM (REF): 1,550 - 2,600 rpm (A/T)
1,750 - 2,600 rpm (M/T)
VHCL SPEED SE: 64 - 120 km/h (40 - 75 MPH)
B/FUEL SCHDL: 0.7 - 4.5 ms
COOLAN TEMP/S: 70 - 100°C (158 - 212°F)
Selector lever: Suitable position
- 3) Stop vehicle with engine running.

OR

OVERALL FUNCTION CHECK

Use this procedure to check the overall function of the rear heated oxygen sensor circuit. During this check, a 1st trip DTC might not be confirmed.



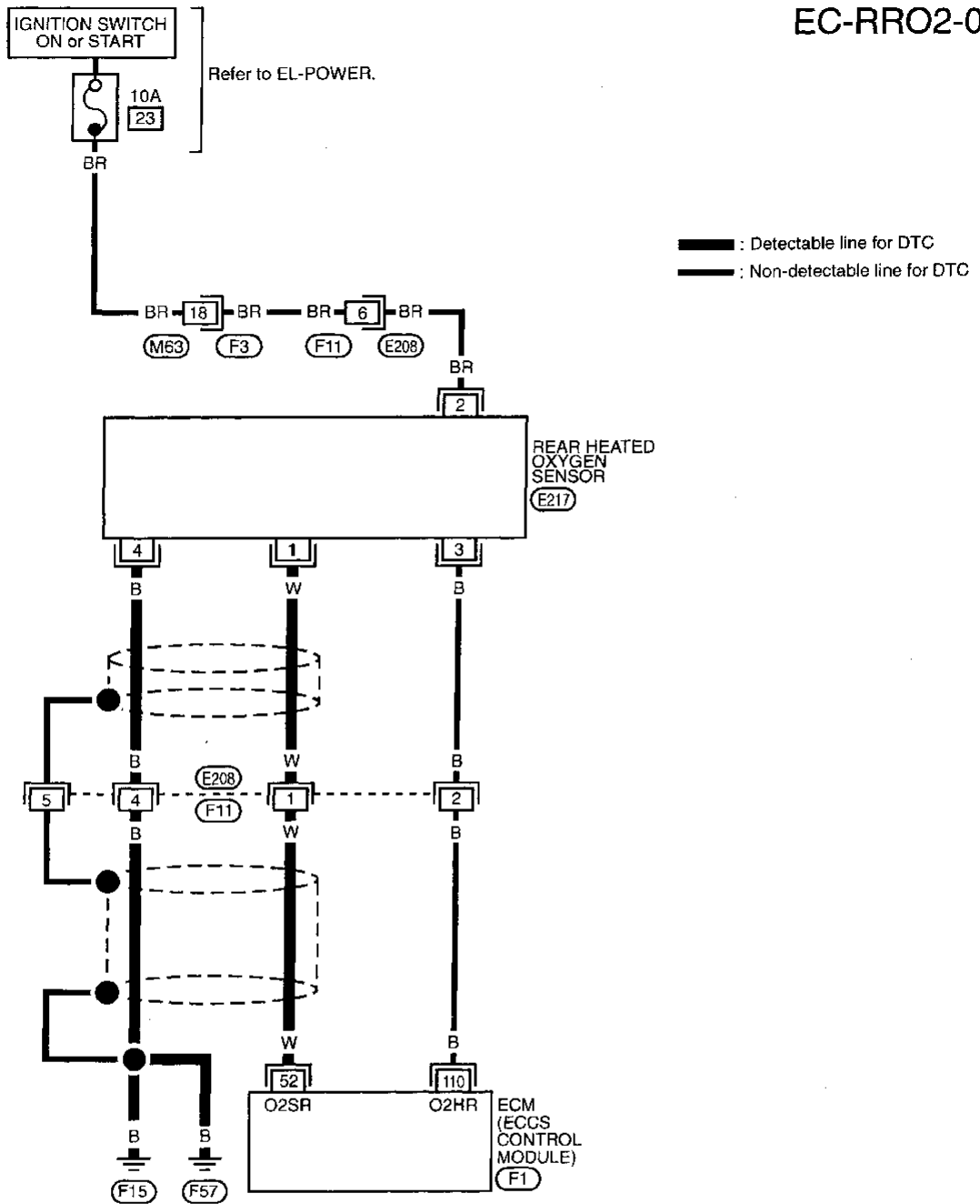
- 1) Start engine and warm it up to normal operating temperature.
- 2) Set voltmeter probes between ECM terminals ⑤② (sensor signal) and ④③ (engine ground).
- 3) Check the voltage after racing up to 4,000 rpm under no load at least 10 times.
(Depress and release accelerator pedal as soon as possible.)

The voltage should be below 2V during this procedure.

TROUBLE DIAGNOSIS FOR DTC P0140

Rear Heated Oxygen Sensor (High Voltage) (Rear HO2S) (Cont'd)

EC-RRO2-01



GI

MA

EM

LC

EC

FE

CL

MT

AT

PD

FA

RA

BR

ST

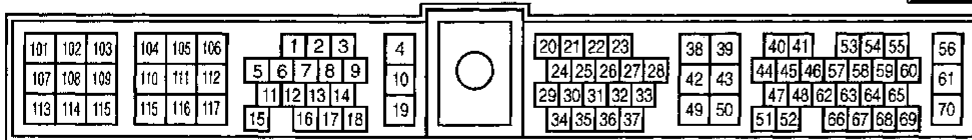
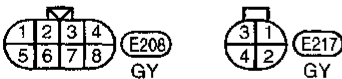
RS

BT

HA

EL

IDX



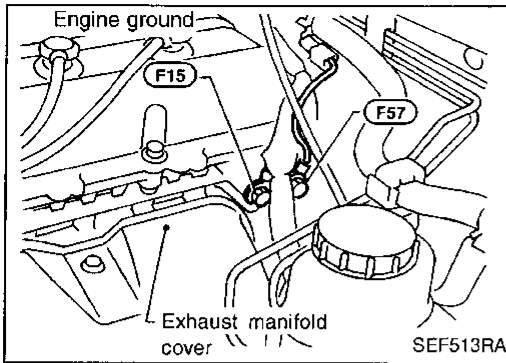
Refer to last page (Foldout page).

M63, F3

TROUBLE DIAGNOSIS FOR DTC P0140

Rear Heated Oxygen Sensor (High Voltage) (Rear HO2S) (Cont'd)

DIAGNOSTIC PROCEDURE



INSPECTION START

1. Turn ignition switch "OFF".
2. Loosen and retighten engine ground screws.

A

CHECK INPUT SIGNAL CIRCUIT.

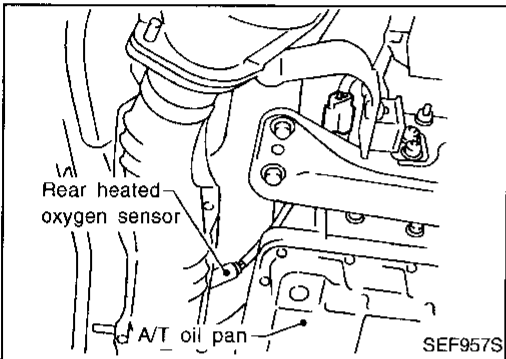
1. Disconnect rear heated oxygen sensor RH harness connector and ECM harness connector.
2. Check harness continuity between ECM terminal ② and terminal ①.
Continuity should exist.
3. Check harness continuity between ECM terminal ② (or terminal ①) and ground.
Continuity should not exist.
If OK, check harness for short to ground and short to power.

NG

Check the following.

- Harness connectors (E208), (F11)
- Harness for open or short between rear heated oxygen sensor and ECM

If NG, repair open circuit or short to ground or short to power in harness or connectors.



OK

B

CHECK GROUND CIRCUIT.

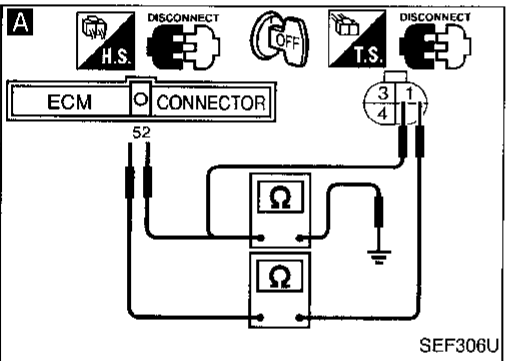
Check harness continuity between terminal ④ and engine ground.
Continuity should exist.
If OK, check harness for short to ground and short to power.

NG

Check the following.

- Harness connectors (E208), (F11)
- Harness for open or short between rear heated oxygen sensor and engine ground

If NG, repair open circuit or short to ground or short to power in harness or connectors.



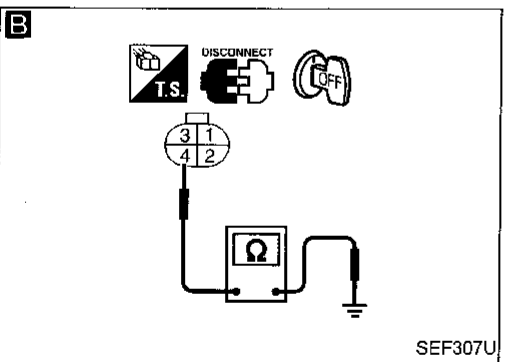
OK

CHECK COMPONENT
(Rear heated oxygen sensor).

1. Turn ignition switch "OFF".
2. Disconnect sensor harness connector and check for water.
Water should not exist.
If OK, go to step 3.
3. Check rear heated oxygen sensor. Refer to "COMPONENT INSPECTION" on next page.

NG

Repair or replace harness and/or connectors or replace rear heated oxygen sensor.



OK

Perform "TROUBLE DIAGNOSIS FOR INTERMITTENT INCIDENT", EC-96.

INSPECTION END

TROUBLE DIAGNOSIS FOR DTC P0140

Rear Heated Oxygen Sensor (High Voltage) (Rear HO2S) (Cont'd)

COMPONENT INSPECTION

Rear heated oxygen sensor

■ ACTIVE TEST ■ □

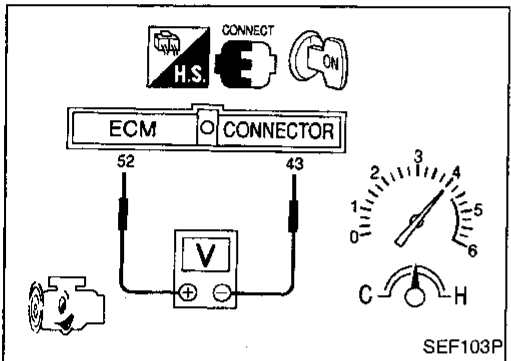
FUEL INJECTION 25%

===== MONITOR =====

CMPS-RPM(REF)	725rpm
FR O2 SENSOR	0.94V
RR O2 SENSOR	1.89V
FR O2 MNTR	RICH
RR O2 MNTR	RICH

Qu **UP** DWN Qd

SEF102P



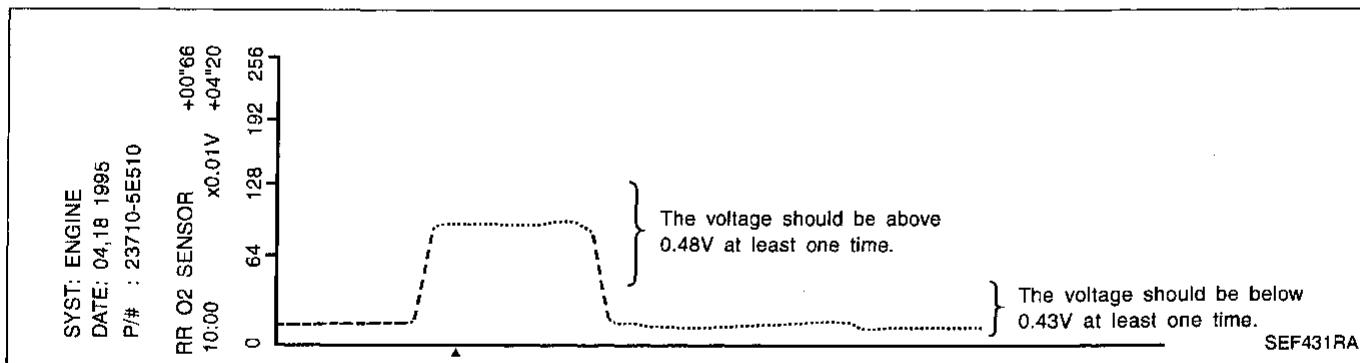
- 1) Start engine and warm it up to normal operating temperature.
- 2) Select "FUEL INJECTION" in "ACTIVE TEST" mode, and select "RR O2 SENSOR" as the monitor item with CONSULT.
- 3) Check "RR O2 SENSOR" at idle speed when adjusting "FUEL INJECTION" to $\pm 25\%$.
"RR O2 SENSOR" should be above 0.48V at least once when the "FUEL INJECTION" is +25%.
"RR O2 SENSOR" should be below 0.43V at least once when the "FUEL INJECTION" is -25%.

OR

- 1) Start engine and warm it up to normal operating temperature.
- 2) Set voltmeter probes between ECM terminals ⑤ (sensor signal) and ④ (engine ground).
- 3) Check the voltage when racing up to 4,000 rpm under no load at least 10 times.
(Depress and release accelerator pedal as soon as possible.)

The voltage should be above 0.48V at least once. If the voltage is above 0.48V at step 3, step 4 is not necessary.

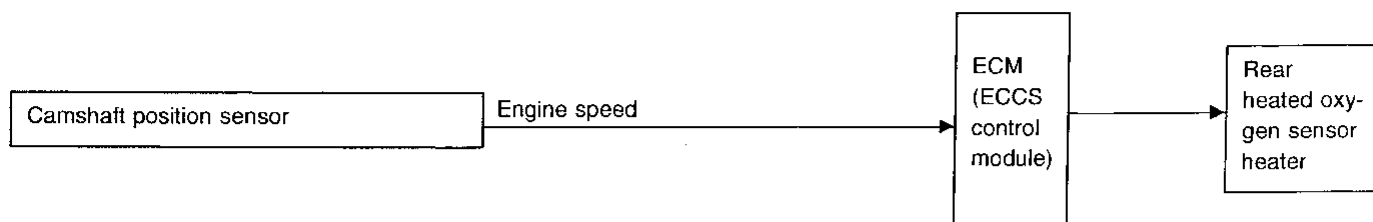
- 4) Check the voltage when racing up to 6,000 rpm under no load. Or keep vehicle at idling for 10 minutes, then check the voltage. Or check the voltage when coasting from 80 km/h (50 MPH) in 3rd gear position.
The voltage should be below 0.43V at least once.



TROUBLE DIAGNOSIS FOR DTC P0141

Rear Heated Oxygen Sensor Heater

SYSTEM DESCRIPTION



The ECM performs ON/OFF control of the rear heated oxygen sensor heater corresponding to the engine speed.

OPERATION

Engine speed rpm	Rear heated oxygen sensor heater
Above 2,800	OFF
Below 2,800	ON

CONSULT REFERENCE VALUE IN DATA MONITOR MODE

Specification data are reference values.

MONITOR ITEM	CONDITION	SPECIFICATION
RR O2 HEATER	• Engine speed: Idle	ON
	• Engine speed: Above 2,800 rpm	OFF

ECM TERMINALS AND REFERENCE VALUE

Specification data are reference values and are measured between each terminal and Ⓞ (ECCS ground).

TER-MINAL NO.	WIRE COLOR	ITEM	CONDITION	DATA (DC Voltage)
110	B	Rear heated oxygen sensor heater	Engine is running. └ Engine speed is below 2,800 rpm.	Approximately 0.3V
			Engine is running. └ Engine speed is above 2,800 rpm.	BATTERY VOLTAGE (11 - 14V)

ON BOARD DIAGNOSIS LOGIC

Diagnostic Trouble Code No.	Malfunction is detected when	Check Items (Possible Cause)
P0141 0902	<ul style="list-style-type: none"> The current amperage in the rear heated oxygen sensor heater circuit is out of the normal range. (An improper voltage drop signal is sent to ECM through the rear heated oxygen sensor heater.) 	<ul style="list-style-type: none"> Harness or connectors (The rear heated oxygen sensor heater circuit is open or shorted.) Rear heated oxygen sensor heater

TROUBLE DIAGNOSIS FOR DTC P0141

Rear Heated Oxygen Sensor Heater (Cont'd)

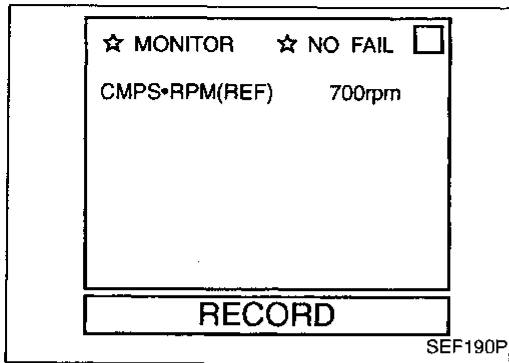
DIAGNOSTIC TROUBLE CODE CONFIRMATION PROCEDURE

NOTE:

If "DIAGNOSTIC TROUBLE CODE CONFIRMATION PROCEDURE" has been previously conducted, always turn ignition switch "OFF" and wait at least 5 seconds before conducting the next test.

TESTING CONDITION:

Before performing the following procedure, confirm that battery voltage is in between 10.5V and 16V at idle.



- 1) Turn ignition switch "ON" and select "DATA MONITOR" mode with CONSULT.
- 2) Start engine and run it for at least 5 seconds at idle speed.

OR



- 1) Start engine and run it for at least 5 seconds at idle speed.
- 2) Turn ignition switch "OFF" and wait at least 5 seconds.
- 3) Start engine and run it for at least 5 seconds at idle speed.
- 4) Select "MODE 3" with GST.

OR



- 1) Start engine and run it for at least 5 seconds at idle speed.
- 2) Turn ignition switch "OFF", wait at least 5 seconds and then turn "ON".
- 3) Perform "Diagnostic Test Mode II (Self-diagnostic results)" with ECM.

- When using GST, "DIAGNOSTIC TROUBLE CODE CONFIRMATION PROCEDURE" should be performed twice as much as when using CONSULT or ECM (Diagnostic Test Mode II) because GST cannot display MODE 7 (1st trip DTC) concerning this diagnosis. Therefore, using CONSULT or ECM (Diagnostic Test Mode II) is recommended.

GI

MA

EM

LC

EC

FE

CL

MT

AT

PD

FA

RA

BR

ST

RS

BT

HA

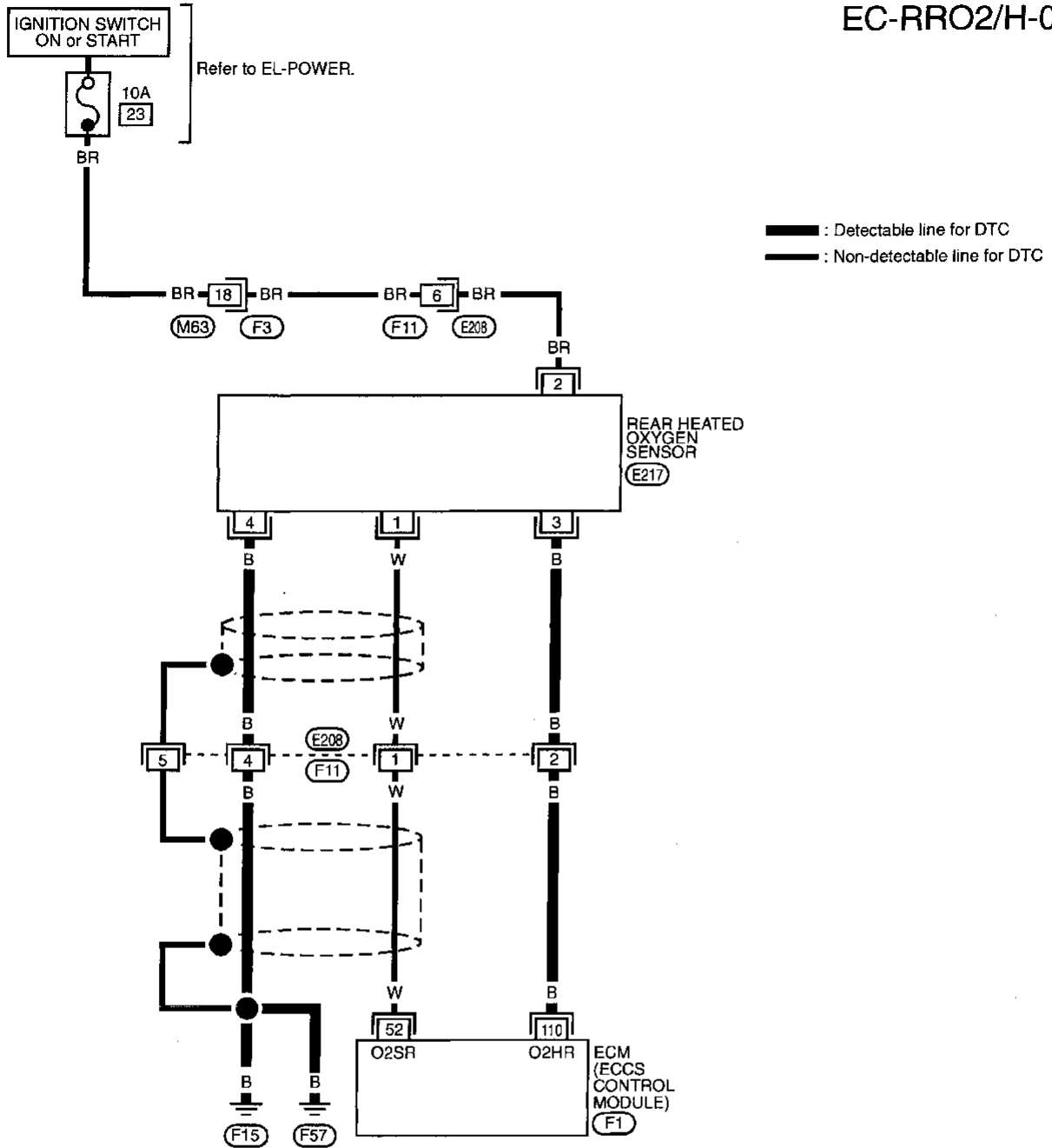
EL

IDX

TROUBLE DIAGNOSIS FOR DTC P0141

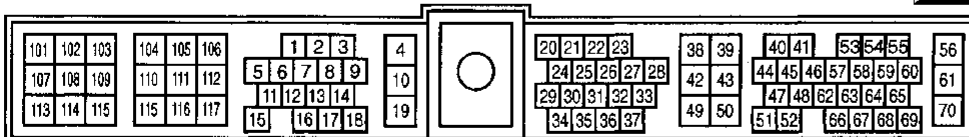
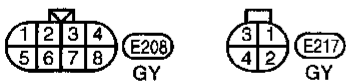
Rear Heated Oxygen Sensor Heater (Cont'd)

EC-RRO2/H-01



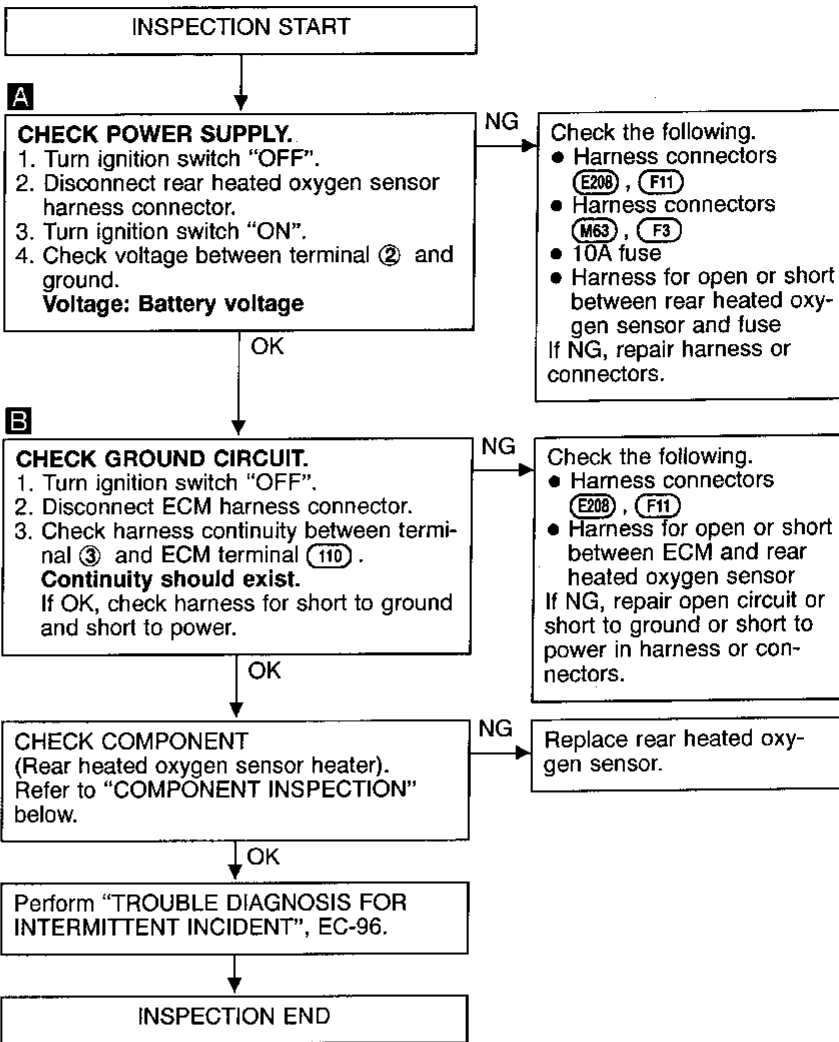
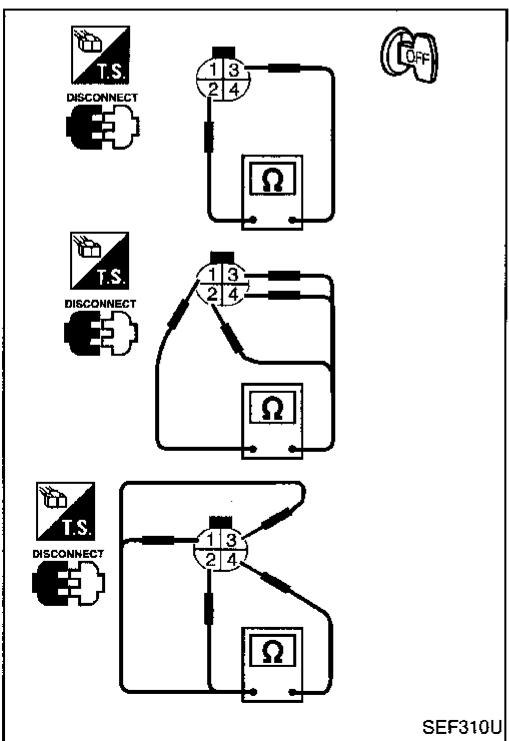
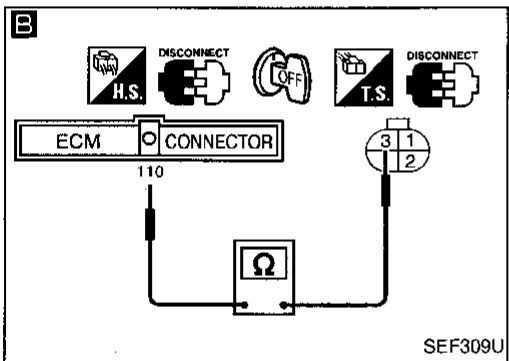
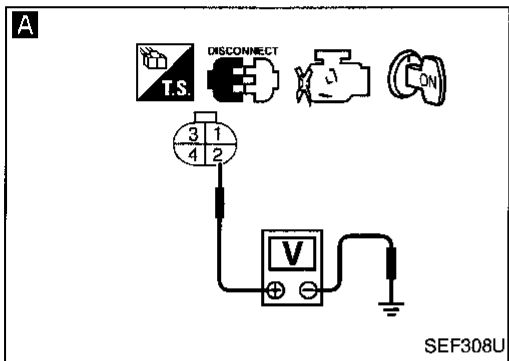
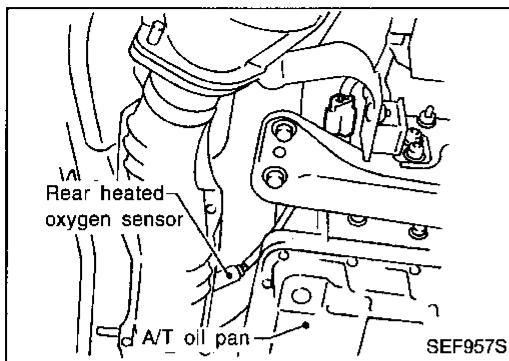
Refer to last page (Foldout page).

(M63) , (F3)



TROUBLE DIAGNOSIS FOR DTC P0141

Rear Heated Oxygen Sensor Heater (Cont'd) DIAGNOSTIC PROCEDURE



COMPONENT INSPECTION

Rear heated oxygen sensor heater

Check the following.

- Check resistance between terminals ② and ③.
Resistance: 2.3 - 4.3Ω at 25°C (77°F)
- Check continuity.

Terminal No.	Continuity
① and ②, ③, ④	No
④ and ①, ②, ③	

If NG, replace the rear heated oxygen sensor.

CAUTION:

Discard any heated oxygen sensor which has been dropped from a height of more than 0.5 m (19.7 in) onto a hard surface such as a concrete floor; use a new one.

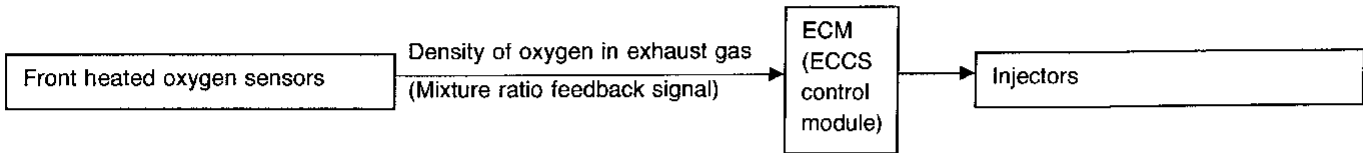
GI
MA
EM
LC
EC
FE
CL
MT
AT
PD
FA
RA
BR
ST
RS
BT
HA
EL
IDX

TROUBLE DIAGNOSIS FOR DTC P0171

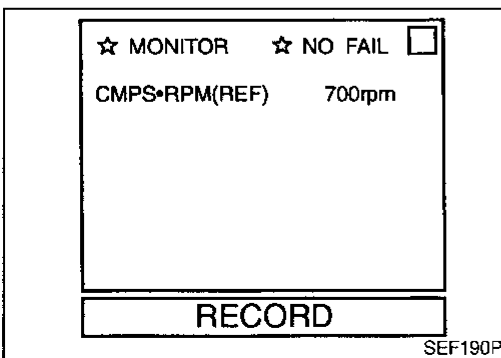
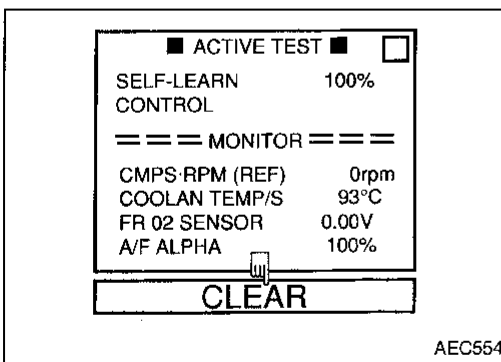
Fuel Injection System Function (Lean side)

ON BOARD DIAGNOSIS LOGIC

With the Air/Fuel Mixture Ratio Self-Learning Control, the actual mixture ratio can be brought closely to the theoretical mixture ratio based on the mixture ratio feedback signal from the front heated oxygen sensor. The ECM calculates the necessary compensation to correct the offset between the actual and the theoretical ratios. In case the amount of the compensation value is extremely large (The actual mixture ratio is too lean.), the ECM judges the condition as the fuel injection system malfunction and light up the MIL (2 trip detection logic).



Diagnostic Trouble Code No.	Malfunction is detected when ...	Check Items (Possible Cause)
P0171 0115	<ul style="list-style-type: none"> • Fuel injection system does not operate properly. • The amount of mixture ratio compensation is too large. (The mixture ratio is too lean.) 	<ul style="list-style-type: none"> • Intake air leaks • Front heated oxygen sensor • Injectors • Exhaust gas leaks • Incorrect fuel pressure • Lack of fuel • Mass air flow sensor



DIAGNOSTIC TROUBLE CODE CONFIRMATION PROCEDURE

NOTE:

If "DIAGNOSTIC TROUBLE CODE CONFIRMATION PROCEDURE" has been previously conducted, always turn ignition switch "OFF" and wait at least 5 seconds before conducting the next test.

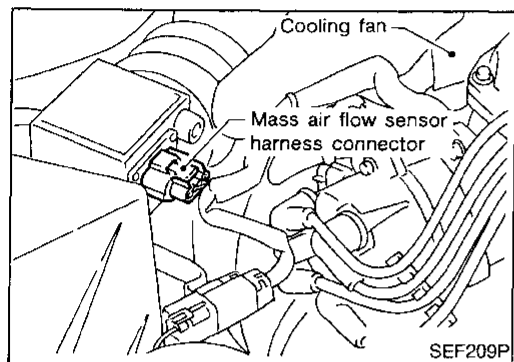
- 1) Start engine and warm it up to normal operating temperature.
- 2) Turn ignition switch "OFF" and wait at least 5 seconds.
- 3) Turn ignition switch "ON" and select "SELF-LEARN CONTROL" in "ACTIVE TEST" mode with CONSULT.
- 4) Clear the self-learning control coefficient by touching "CLEAR".
- 5) Select "DATA MONITOR" mode with CONSULT.
- 6) Start engine again and let it idle for at least 10 minutes. The 1st trip DTC P0171 should be detected at this stage, if a malfunction exists.
- 7) If it is difficult to start engine at step 6, the fuel injection system has a malfunction.

TROUBLE DIAGNOSIS FOR DTC P0171

Fuel Injection System Function (Lean side) (Cont'd)

- 8) Crank engine while depressing accelerator pedal. If engine starts, go to "DIAGNOSTIC PROCEDURE", EC-213. If engine does not start, visually check for exhaust and intake air leak.

OR



- 1) Start engine and warm it up to normal operating temperature.
- 2) Turn ignition switch "OFF" and wait at least 5 seconds.
- 3) Disconnect mass air flow sensor harness connector. Then restart and run engine for at least 3 seconds at idle speed.
- 4) Stop engine and reconnect mass air flow sensor harness connector.
- 5) Select "MODE 7" with GST. Make sure 1st trip DTC P0100 is detected.
- 6) Select "MODE 4" with GST and erase the 1st trip DTC P0100.
- 7) Start engine again and run it for at least 10 minutes at idle speed.
- 8) Select "MODE 7" with GST. The 1st trip DTC P0171 should be detected at this stage, if a malfunction exists.
- 9) If it is difficult to start engine at step 8, the fuel injection system has a malfunction.
- 10) Crank engine while depressing accelerator pedal. If engine starts, go to "DIAGNOSTIC PROCEDURE", EC-213. If engine does not start, visually check for exhaust and intake air leak.

OR

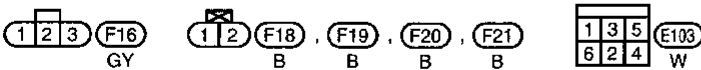
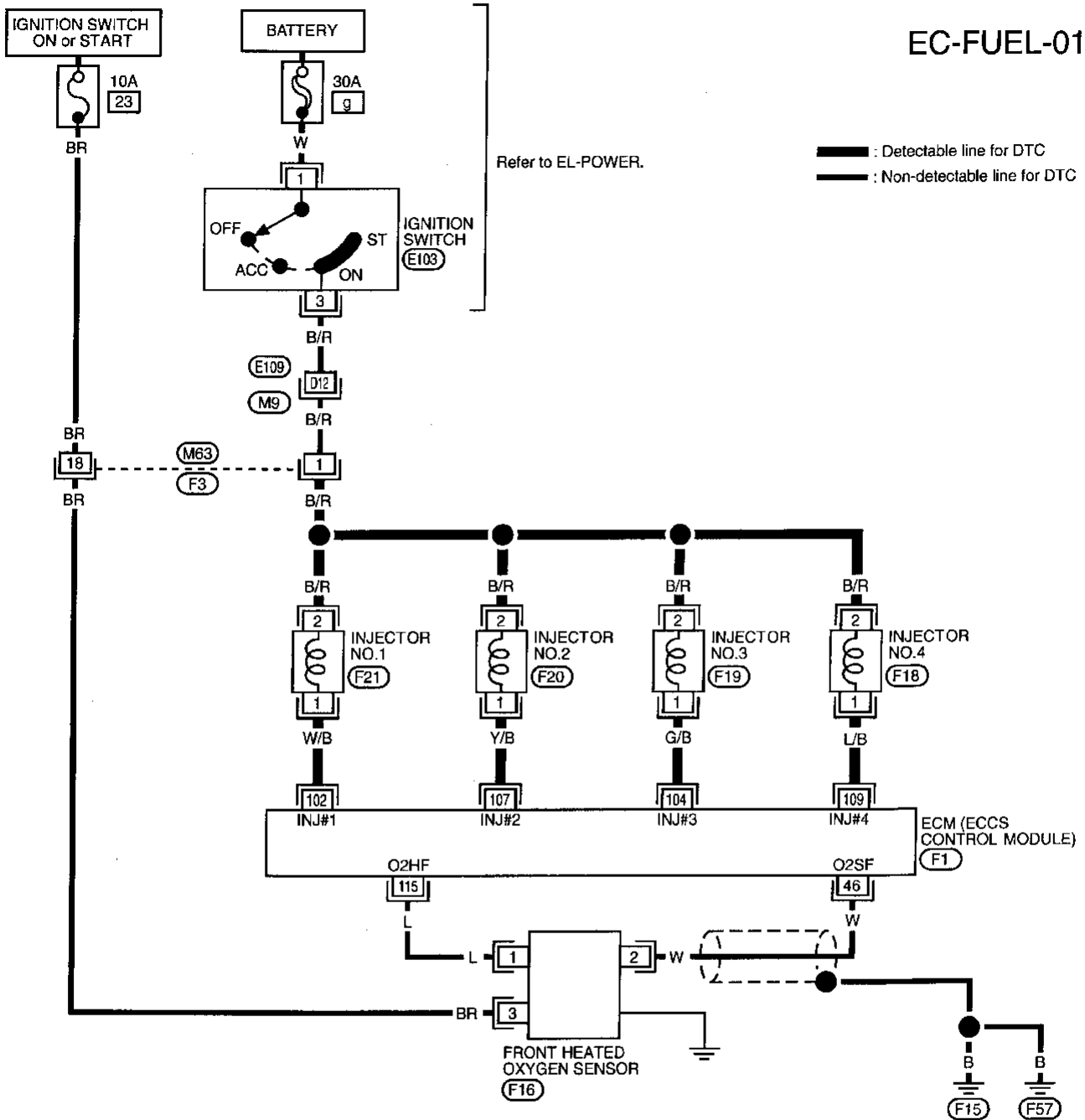


- 1) Start engine and warm it up to normal operating temperature.
- 2) Turn ignition switch "OFF" and wait at least 5 seconds.
- 3) Disconnect mass air flow sensor harness connector. Then restart and run engine for at least 3 seconds at idle speed.
- 4) Stop engine and reconnect mass air flow sensor harness connector.
- 5) Turn ignition switch "ON".
- 6) Perform Diagnostic Test Mode II (Self-diagnostic results) with ECM. Make sure 1st trip DTC 0102 is detected.
- 7) Erase the 1st trip DTC 0102 by changing from Diagnostic Test Mode II to Diagnostic Test Mode I.
- 8) Perform Diagnostic Test Mode II (Self-diagnostic results) with ECM. Make sure DTC 0505 is detected.
- 9) Start engine again and run it for at least 10 minutes at idle speed. The 1st trip DTC 0115 should be detected at this stage, if a malfunction exists.
- 10) If it is difficult to start engine at step 9, the fuel injection system also has a malfunction.
- 11) Crank engine while depressing accelerator pedal. If engine starts, go to "DIAGNOSTIC PROCEDURE", EC-213. If engine does not start, visually check for exhaust and intake air leak.

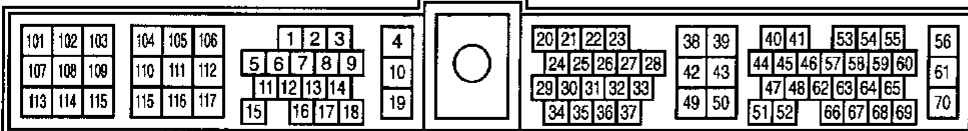
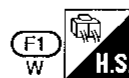
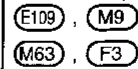
TROUBLE DIAGNOSIS FOR DTC P0171

Fuel Injection System Function (Lean side) (Cont'd)

EC-FUEL-01



Refer to last page (Foldout page).

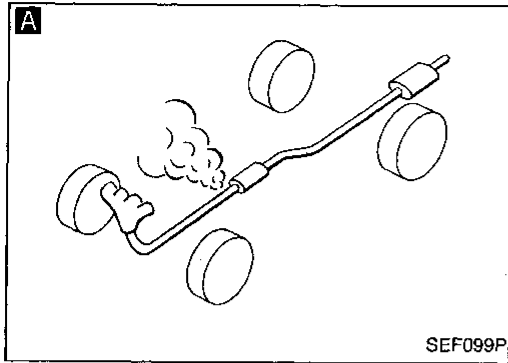


TROUBLE DIAGNOSIS FOR DTC P0171

Fuel Injection System Function (Lean side) (Cont'd)

DIAGNOSTIC PROCEDURE

INSPECTION START

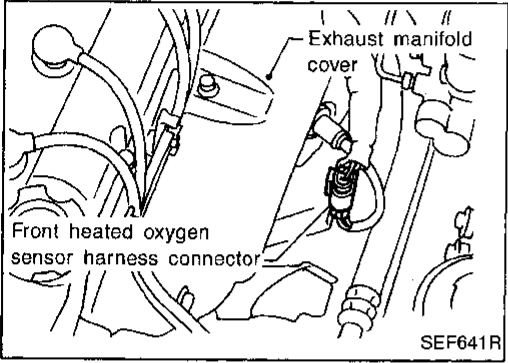


A
CHECK EXHAUST AIR LEAK.
Start engine and run it at idle. Listen for an exhaust air leak before three way catalyst.

NG → Repair or replace.

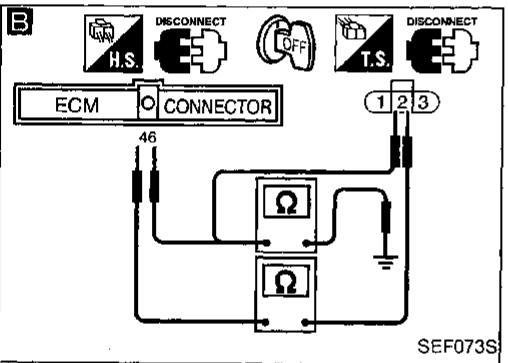
OK
CHECK FOR INTAKE AIR LEAK.
Start engine and run it at idle. Listen for an intake air leak between the mass air flow sensor and the intake manifold.

NG → Repair or replace.



B
CHECK FRONT HEATED OXYGEN SENSOR.
1. Turn ignition switch "OFF".
2. Disconnect front heated oxygen sensor harness connector and ECM harness connector.
3. Check harness continuity between ECM terminal ④ and terminal ②. **Continuity should exist.**
4. Check harness continuity between ECM terminal ④ (or terminal ②) and ground. **Continuity should not exist.**
If OK, check harness for short to ground and short to power.

NG → Repair harness or connectors.



OK
CHECK FUEL PRESSURE.
1. Release fuel pressure to zero. Refer to EC-27.
2. Install fuel pressure gauge and check fuel pressure.
At idling:
When fuel pressure regulator valve vacuum hose is connected.
235 kPa
(2.4 kg/cm², 34 psi)
When fuel pressure regulator valve vacuum hose is disconnected.
294 kPa
(3.0 kg/cm², 43 psi)

NG → Check the following.
• Fuel pump and circuit Refer to EC-431.
• Fuel pressure regulator Refer to EC-27.
• Fuel lines Refer to "ENGINE MAINTENANCE" in MA section.
• Fuel filter for clogging If NG, repair or replace.

OK
CHECK MASS AIR FLOW SENSOR.
 Check "MASS AIR FLOW" in "DATA MONITOR" mode with CONSULT.
1.5 - 4.5 g-m/sec: at idling
6.0 - 14.0 g-m/sec: at 2,500 rpm
OR
 Check "MASS AIR FLOW" in MODE 1 with GST.
1.5 - 4.5 g-m/sec: at idling
6.0 - 14.0 g-m/sec: at 2,500 rpm
OR
 Check voltage between ECM terminal ④ and ground.
1.3 - 1.7V: at idling
1.7 - 2.1V: at 2,500 rpm

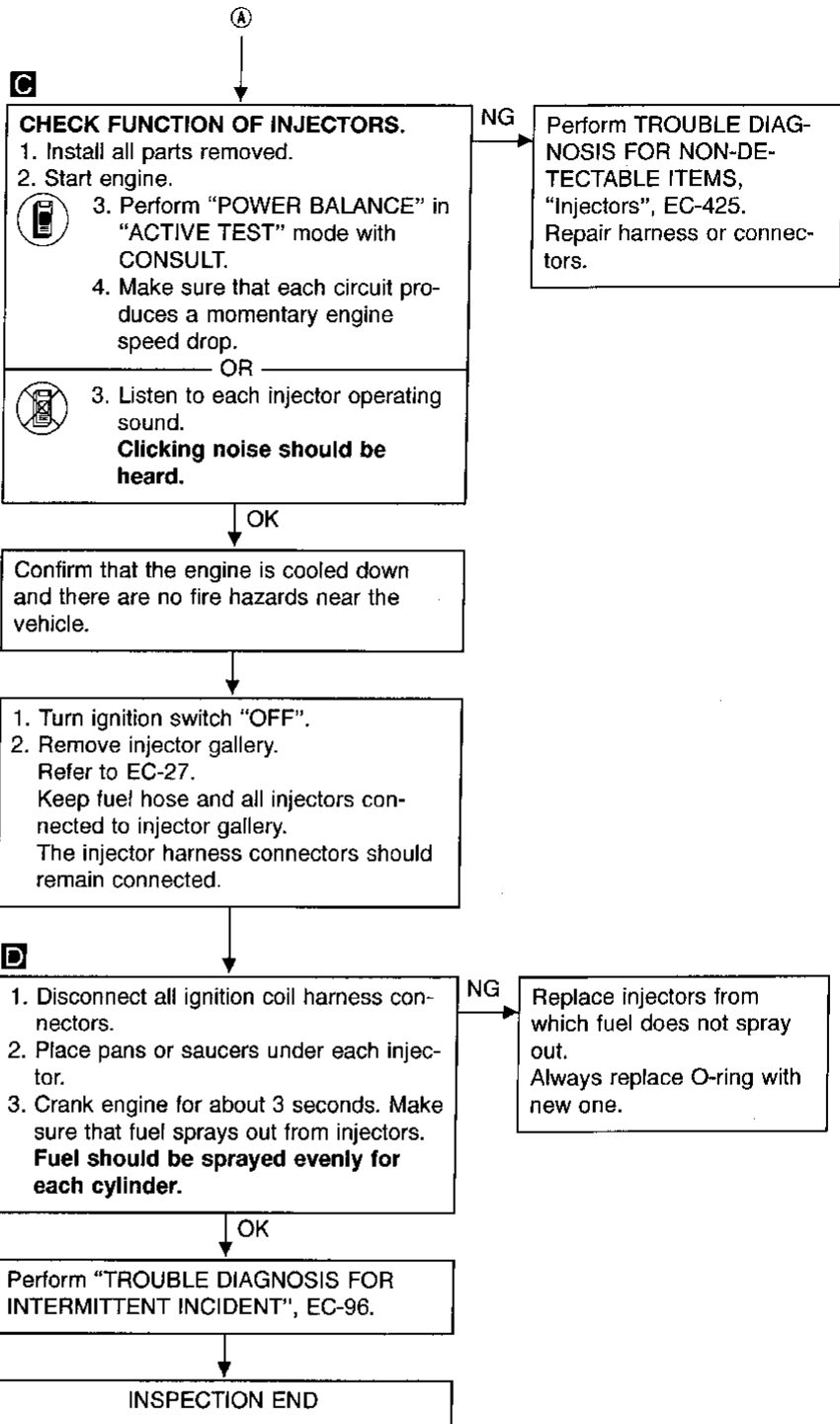
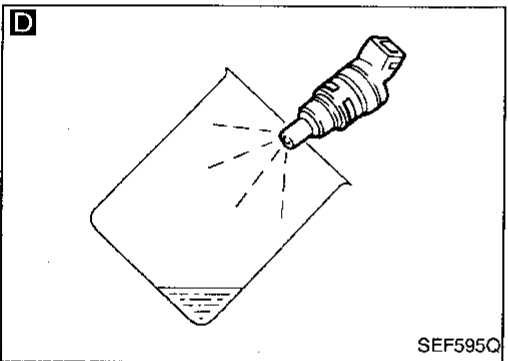
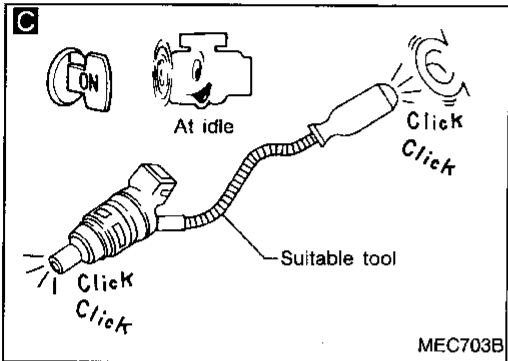
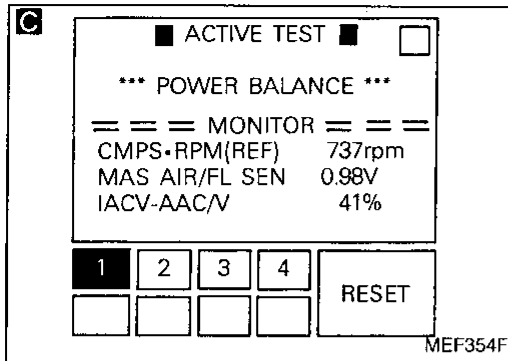
NG → Check connectors for rusted terminals or loose connections in the mass air flow sensor circuit or engine grounds. Refer to EC-102.

OK
④

GI
MA
EM
LC
EC
FE
CL
MT
AT
PD
FA
RA
BR
ST
RS
BT
HA
EL
IDX

TROUBLE DIAGNOSIS FOR DTC P0171

Fuel Injection System Function (Lean side) (Cont'd)

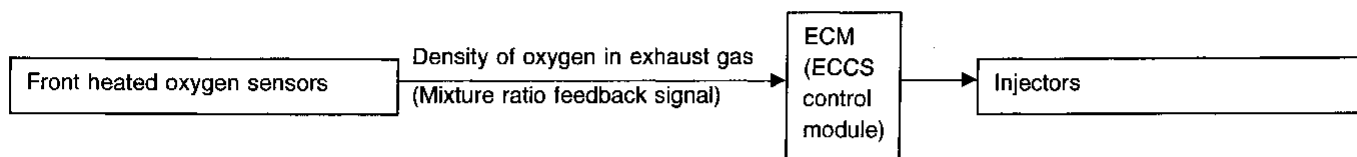


TROUBLE DIAGNOSIS FOR DTC P0172

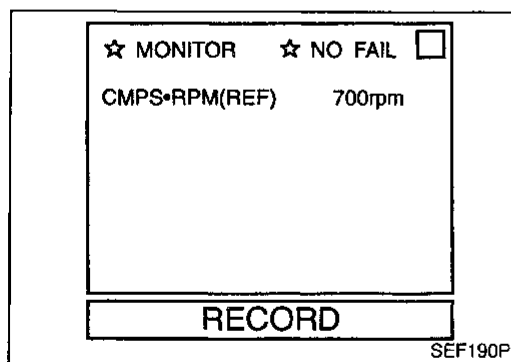
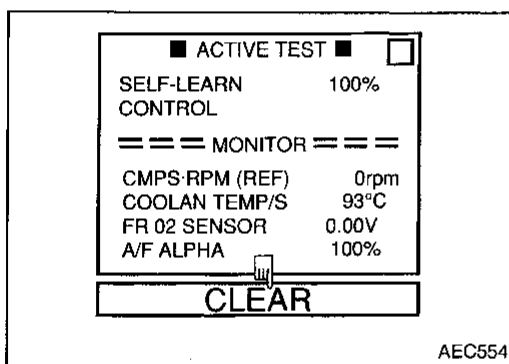
Fuel Injection System Function (Rich side)

ON BOARD DIAGNOSIS LOGIC

With the Air/Fuel Mixture Ratio Self-Learning Control, the actual mixture ratio can be brought closely to the theoretical mixture ratio based on the mixture ratio feedback signal from the front heated oxygen sensor. The ECM calculates the necessary compensation to correct the offset between the actual and the theoretical ratios. In case the amount of the compensation value is extremely large (The actual mixture ratio is too rich.), the ECM judges the condition as the fuel injection system malfunction and light up the MIL (2 trip detection logic).



Diagnostic Trouble Code No.	Malfunction is detected when ...	Check Items (Possible Cause)
P0172 0114	<ul style="list-style-type: none"> Fuel injection system does not operate properly. The amount of mixture ratio compensation is too large. (The mixture ratio is too rich.) 	<ul style="list-style-type: none"> Front heated oxygen sensor Injectors Exhaust gas leaks Incorrect fuel pressure Mass air flow sensor



DIAGNOSTIC TROUBLE CODE CONFIRMATION PROCEDURE

NOTE:

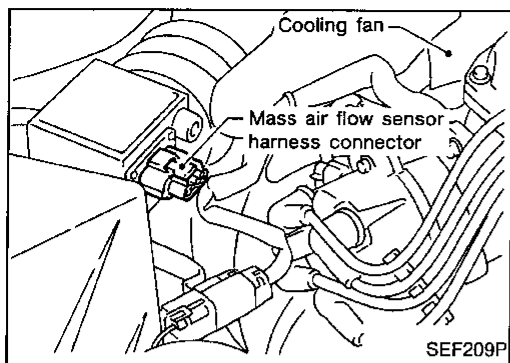
If "DIAGNOSTIC TROUBLE CODE CONFIRMATION PROCEDURE" has been previously conducted, always turn ignition switch "OFF" and wait at least 5 seconds before conducting the next test.

- 1) Start engine and warm it up to normal operating temperature.
- 2) Turn ignition switch "OFF" and wait at least 5 seconds.
- 3) Turn ignition switch "ON" and select "SELF-LEARN CONTROL" in "ACTIVE TEST" mode with CONSULT.
- 4) Clear the self-learning control coefficient by touching "CLEAR".
- 5) Select "DATA MONITOR" mode with CONSULT.
- 6) Start engine again and let it idle for at least 10 minutes. The 1st trip DTC P0172 should be detected at this stage, if a malfunction exists.
- 7) If it is difficult to start engine at step 6, the fuel injection system has a malfunction.
- 8) Crank engine while depressing accelerator pedal. If engine starts, go to "DIAGNOSTIC PROCEDURE", EC-218. If engine does not start, remove ignition plugs and check for fouling, etc.

OR

TROUBLE DIAGNOSIS FOR DTC P0172

Fuel Injection System Function (Rich side) (Cont'd)



- 1) Start engine and warm it up to normal operating temperature.
- 2) Turn ignition switch "OFF" and wait at least 5 seconds.
- 3) Disconnect mass air flow sensor harness connector. Then restart and run engine for at least 3 seconds at idle speed.
- 4) Stop engine and reconnect mass air flow sensor harness connector.
- 5) Select "MODE 7" with GST. Make sure 1st trip DTC P0100 is detected.
- 6) Select "MODE 4" with GST and erase the 1st trip DTC P0100.
- 7) Start engine again and run it for at least 10 minutes at idle speed.
- 8) Select "MODE 7" with GST. The 1st trip DTC P0172 should be detected at this stage, if a malfunction exists.
- 9) If it is difficult to start engine at step 8, the fuel injection system has a malfunction.
- 10) Crank engine while depressing accelerator pedal. If engine starts, go to "DIAGNOSTIC PROCEDURE", EC-218. If engine does not start, remove ignition plugs and check for fouling, etc.

OR

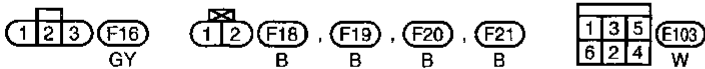
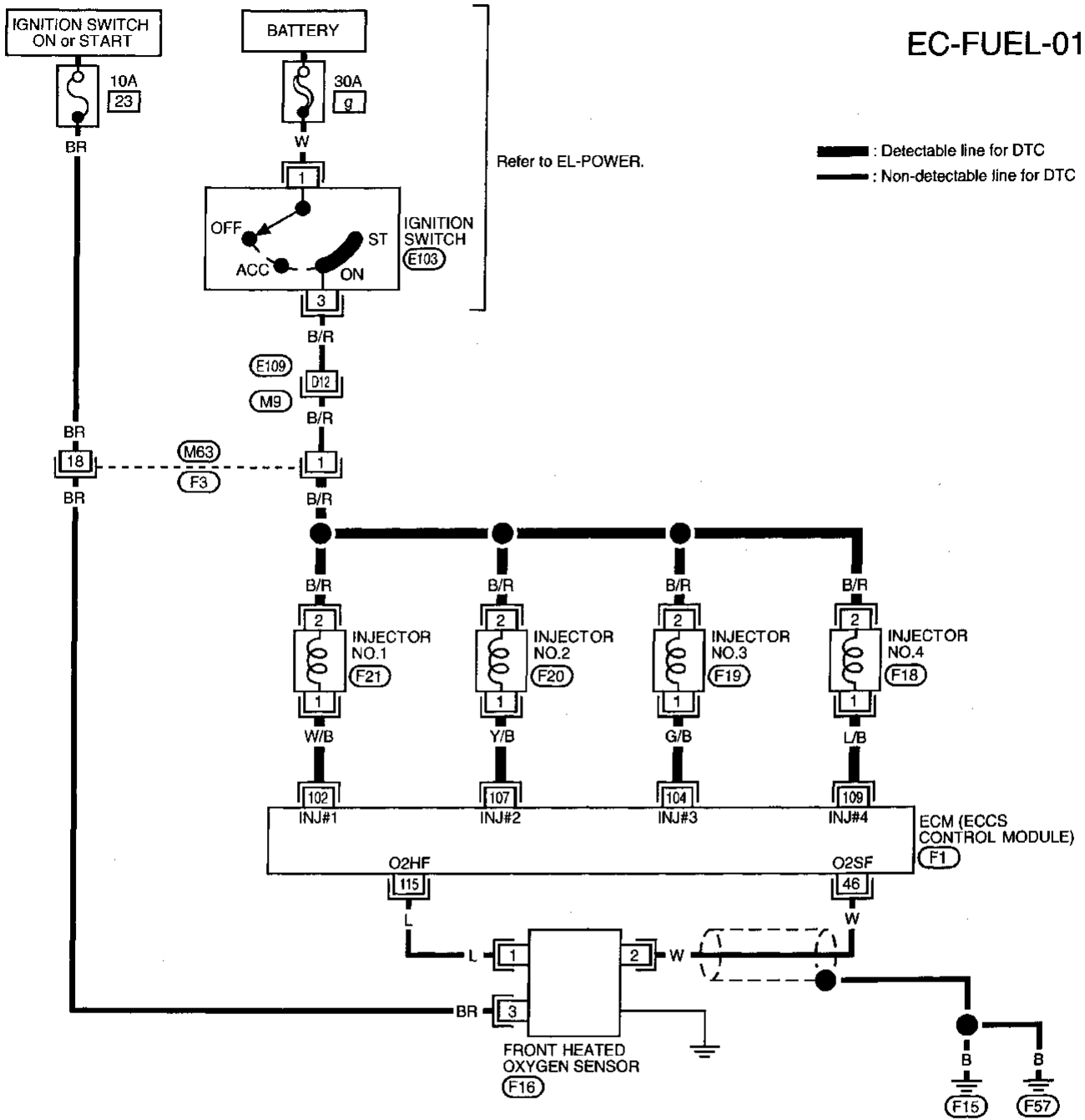


- 1) Start engine and warm it up to normal operating temperature.
- 2) Turn ignition switch "OFF" and wait at least 5 seconds.
- 3) Disconnect mass air flow sensor harness connector. Then restart engine and run it for at least 3 seconds at idle speed.
- 4) Stop engine and reconnect mass air flow sensor harness connector.
- 5) Turn ignition switch "ON".
- 6) Perform Diagnostic Test Mode II (Self-diagnostic results) with ECM. Make sure 1st trip DTC 0102 is detected.
- 7) Erase the 1st trip DTC 0102 by changing from Diagnostic Test Mode II to Diagnostic Test Mode I.
- 8) Perform Diagnostic Test Mode II (Self-diagnostic results) with ECM. Make sure DTC 0505 is detected.
- 9) Start engine again and run it for at least 10 minutes at idle speed. The 1st trip DTC 0114 should be detected at this stage, if a malfunction exists.
- 10) If it is difficult to start engine at step 9, the fuel injection system also has a malfunction.
- 11) Crank engine while depressing accelerator pedal. If engine starts, go to "DIAGNOSTIC PROCEDURE", EC-218. If engine does not start, remove ignition plugs and check for fouling, etc.

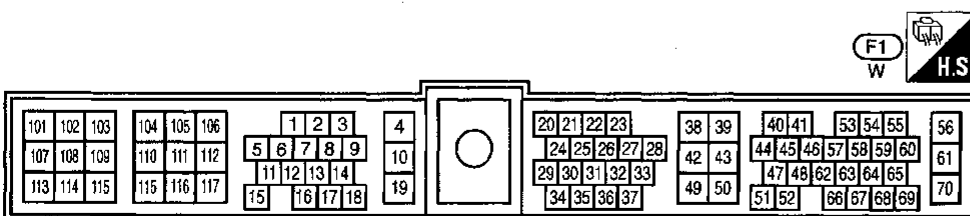
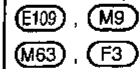
TROUBLE DIAGNOSIS FOR DTC P0172

Fuel Injection System Function (Rich side) (Cont'd)

EC-FUEL-01



Refer to last page (Foldout page).

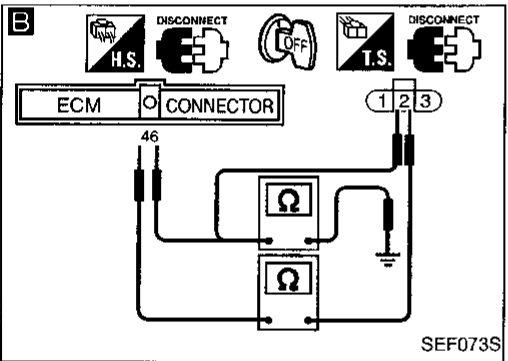
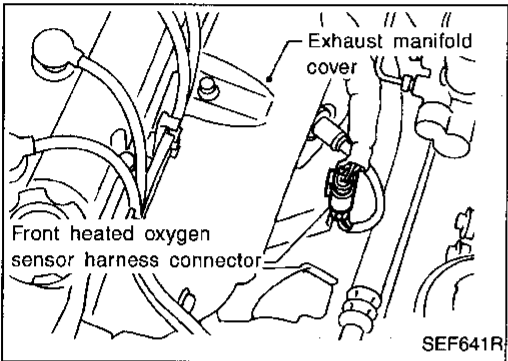
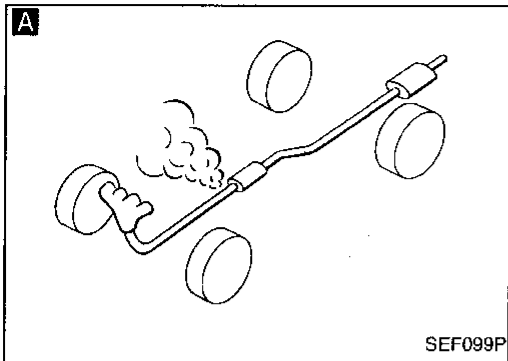


GI
MA
EM
LC
EC
FE
CL
MT
AT
PD
FA
RA
BR
ST
RS
BT
HA
EL
IDX

TROUBLE DIAGNOSIS FOR DTC P0172

Fuel Injection System Function (Rich side) (Cont'd)

DIAGNOSTIC PROCEDURE



INSPECTION START

A
CHECK FOR EXHAUST AIR LEAK.
Start engine and run it at idle. Listen for an exhaust air leak before the three way catalyst.

NG → Repair or replace.

OK →

B
CHECK FRONT HEATED OXYGEN SENSOR.

1. Turn ignition switch "OFF".
2. Disconnect front heated oxygen sensor RH harness connector and ECM harness connector.
3. Check harness continuity between ECM terminal ④ and terminal ②.
Continuity should exist.
4. Check harness continuity between ECM terminal ④ (or terminal ②) and ground.
Continuity should not exist.
If OK, check harness for short to ground and short to power.

NG → Repair harness or connectors.

OK →

CHECK FUEL PRESSURE.

1. Release fuel pressure to zero. Refer to EC-27.
2. Install fuel pressure gauge and check fuel pressure.

At idling:

When fuel pressure regulator valve vacuum hose is connected.
Approximately 235 kPa (2.4 kg/cm², 34 psi)

When fuel pressure regulator valve vacuum hose is disconnected.
Approximately 294 kPa (3.0 kg/cm², 43 psi)

NG → Check the following.
• Fuel pump and circuit Refer to EC-431.
• Fuel pressure regulator Refer to EC-27.
If NG, repair or replace.

OK →

CHECK MASS AIR FLOW SENSOR.

Check "MASS AIR FLOW" in "DATA MONITOR" mode with CONSULT.
1.5 - 4.5 g-m/sec: at idling
6.0 - 14.0 g-m/sec: at 2,500 rpm

OR

Check "MASS AIR FLOW" in MODE 1 with GST.
1.5 - 4.5 g-m/sec: at idling
6.0 - 14.0 g-m/sec: at 2,500 rpm

OR

Check voltage between ECM terminal ④ and ground.
1.3 - 1.7V: at idling
1.7 - 2.1V: at 2,500 rpm

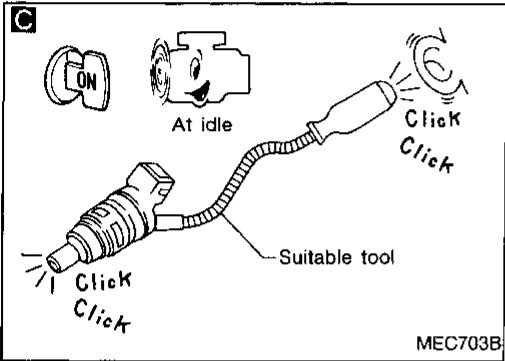
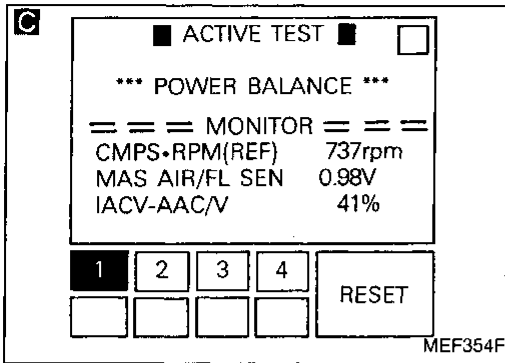
NG → Check connectors for rusted terminals or loose connections in the mass air flow sensor circuit or engine grounds. Refer to EC-102.

OK →

Ⓐ

TROUBLE DIAGNOSIS FOR DTC P0172

Fuel Injection System Function (Rich side) (Cont'd)



C

CHECK FUNCTION OF INJECTORS.

1. Install all parts removed.
2. Start engine.
3. Perform "POWER BALANCE" in "ACTIVE TEST" mode with CONSULT.
4. Make sure that each circuit produces a momentary engine speed drop.

OR

3. Listen to each injector operating sound. **Clicking noise should be heard.**

NG

Perform TROUBLE DIAGNOSIS FOR NON-DETECTABLE ITEMS, "Injectors", EC-425. Repair harness or connectors.

OK

Remove injector gallery. Refer to EC-27. Keep fuel hose and all injectors connected to injector gallery.

Confirm that the engine is cooled down and there are no fire hazards near the vehicle.

1. Disconnect all injector harness connectors.
2. Disconnect all ignition coil harness connectors.
3. Crank engine for about 3 seconds. Make sure fuel does not drip from injector.

Drips

Replace the injectors from which fuel is dripping. Always replace O-ring with new one.

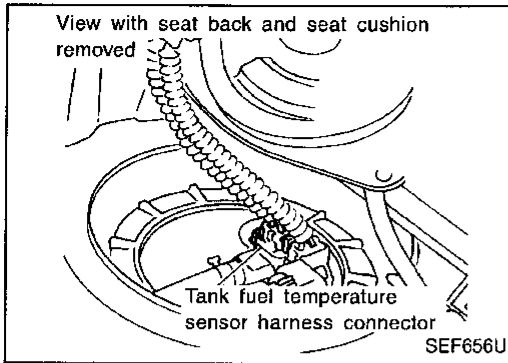
Does not drip.

Perform "TROUBLE DIAGNOSIS FOR INTERMITTENT INCIDENT", EC-96.

INSPECTION END

GI
MA
EM
LC
EC
FE
CL
MT
AT
PD
FA
RA
BR
ST
RS
BT
HA
EL
IDX

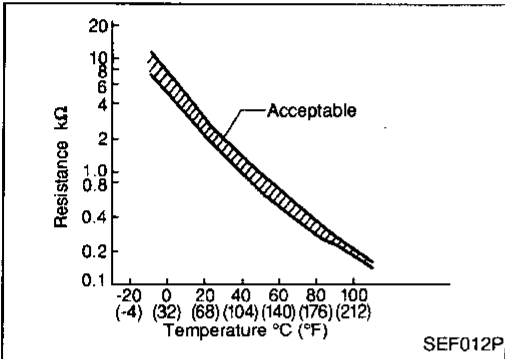
TROUBLE DIAGNOSIS FOR DTC P0180



Tank Fuel Temperature Sensor

COMPONENT DESCRIPTION

The tank fuel temperature sensor is used to detect the fuel temperature inside the fuel tank. The sensor modifies a voltage signal from the ECM. The modified signal returns to the ECM as the fuel temperature input. The sensor uses a thermistor which is sensitive to the change in temperature. The electrical resistance of the thermistor decreases as temperature increases.



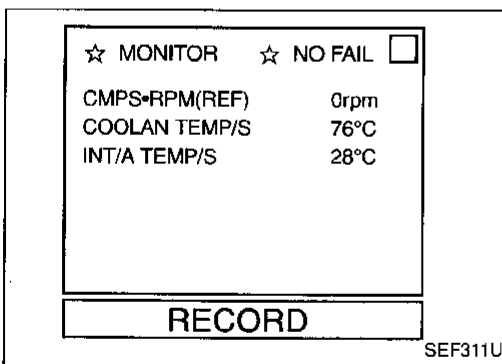
<Reference data>

Fluid temperature °C (°F)	Voltage* V	Resistance kΩ
20 (68)	3.5	2.3 - 2.7
50 (122)	2.2	0.79 - 0.90

*: These data are reference values and are measured between ECM terminal ④ (Tank fuel temperature sensor) and ECM terminal ④ (ECCS ground).

ON BOARD DIAGNOSIS LOGIC

Diagnostic Trouble Code No.	Malfunction is detected when ...	Check Items (Possible Causes)
P0180 0402	<ul style="list-style-type: none"> • An excessively high or low voltage is sent to ECM. • Rationally incorrect voltage is sent to ECM, compared with the voltage signals from engine coolant temperature sensor and intake air temperature sensor. 	<ul style="list-style-type: none"> • Harness or connectors (The sensor circuit is open or shorted.) • Tank fuel temperature sensor



DIAGNOSTIC TROUBLE CODE CONFIRMATION PROCEDURE

NOTE:

If "DIAGNOSTIC TROUBLE CODE CONFIRMATION PROCEDURE" has been previously conducted, always turn ignition switch "OFF" and wait at least 5 seconds before conducting the next test.



- 1) Turn ignition switch "ON".
 - 2) Select "DATA MONITOR" mode with CONSULT.
 - 3) Wait at least 10 seconds.
- If the result is NG, go to "DIAGNOSTIC PROCEDURE", EC-223.

If the result is OK, go to following step.

NOTE: If "COOLAN TEMP/S" is already less than 90°C (194°F) before step 4), the result will be OK.

If "COOLAN TEMP/S" is above 90°C (194°F), go to the following step.

- 4) Cool engine down until "COOLAN TEMP/S" is less than 90°C (194°F).
- 5) Wait at least 10 seconds.

TROUBLE DIAGNOSIS FOR DTC P0180

Tank Fuel Temperature Sensor (Cont'd)

OR



- 1) Turn ignition switch "ON" and wait at least 10 seconds.
- 2) Select "MODE 7" with GST.
If the result is NG, go to "DIAGNOSTIC PROCEDURE", EC-223.
If the result is OK, go to following step.
- 3) Select "MODE 1" with GST and check for the engine coolant temperature.
- 4) Cool engine down until the engine coolant temperature is less than 90°C (194°F). If the temperature is already less than 90°C (194°F) before step 4), the result will be OK.
- 5) Wait at least 10 seconds.
- 6) Select "MODE 7" with GST.

GI

MA

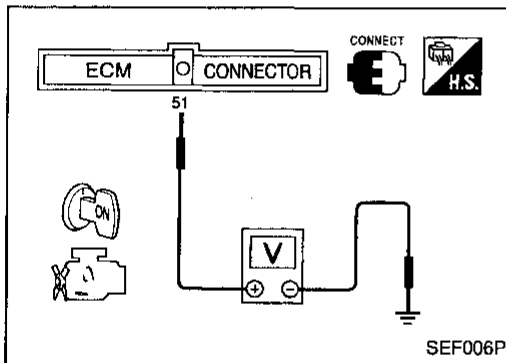
EM

LC

EC

FE

CL



OR

- 1) Turn ignition switch "ON" and wait at least 10 seconds.
- 2) Turn ignition switch "OFF", wait at least 5 seconds and then turn "ON".
- 3) Perform "Diagnostic Test Mode II (Self-diagnostic results)" with ECM.
If the result is NG, go to "DIAGNOSTIC PROCEDURE", EC-223.
If the result is OK, go to following step.
- 4) Cool engine down until the voltage between ECM terminal ⑤ (Engine coolant temperature) and ground becomes more than 1.0V.
If the voltage is already more than 1.0V before step 4), the result will be OK.
- 5) Wait at least 10 seconds.
- 6) Turn ignition switch "OFF", wait at least 5 seconds and then turn "ON".
- 7) Perform "Diagnostic Test Mode II (Self-diagnostic results)" with ECM.

MT

AT

PD

FA

RA

BR

ST

RS

BT

HA

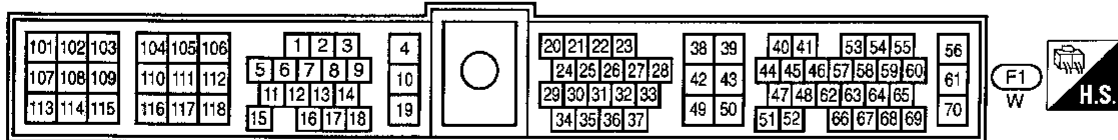
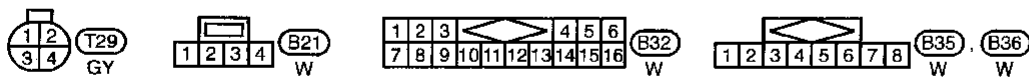
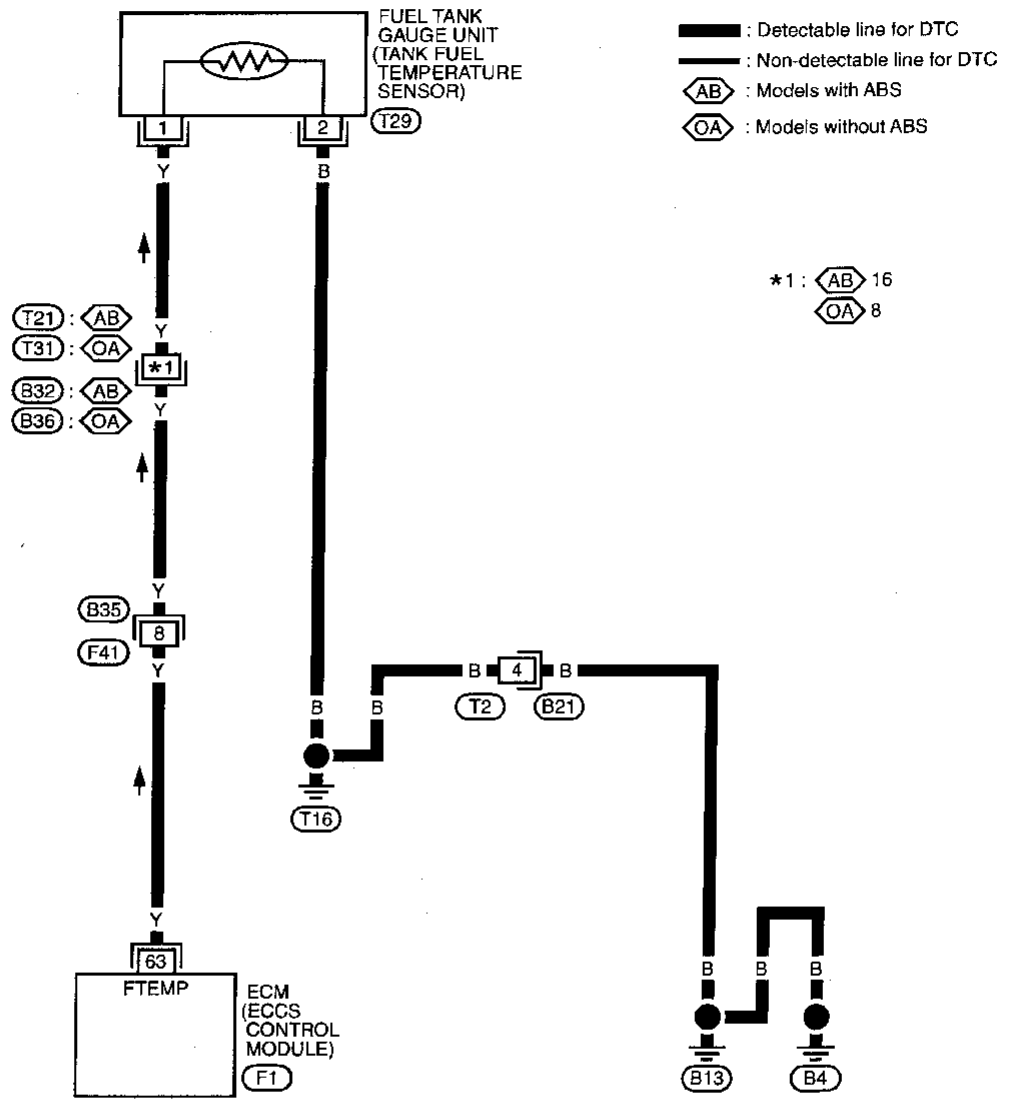
EL

IDX

TROUBLE DIAGNOSIS FOR DTC P0180

Tank Fuel Temperature Sensor (Cont'd)

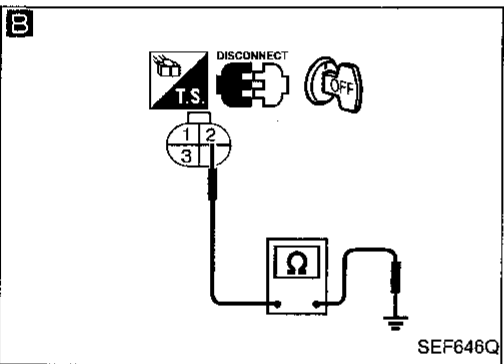
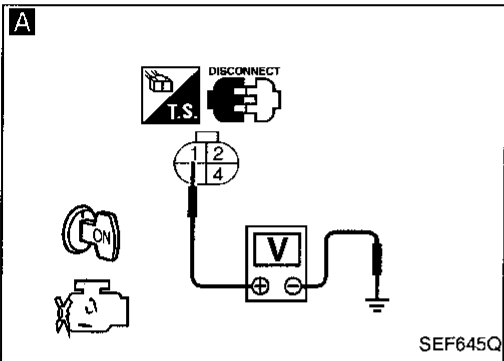
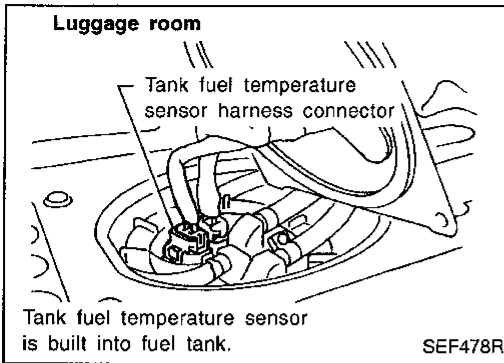
EC-TFTS-01



TROUBLE DIAGNOSIS FOR DTC P0180

Tank Fuel Temperature Sensor (Cont'd)

DIAGNOSTIC PROCEDURE



INSPECTION START

A

CHECK POWER SUPPLY.

1. Turn ignition switch "OFF".
2. Disconnect tank fuel temperature sensor harness connector.
3. Turn ignition switch "ON".
4. Check voltage between terminal ① and ground with CONSULT or tester.

Voltage: Approximately 5V

NG

Check the following.

- Harness connectors (Models with ABS) (T21), (B32) (Models without ABS) (T31), (B36)
- Harness connectors (B35), (F41)
- Harness continuity between ECM and tank fuel temperature sensor

If NG, repair harness or connector.

OK

B

CHECK GROUND CIRCUIT.

1. Turn ignition switch "OFF".
2. Check harness continuity between terminal ② and body ground.

Continuity should exist.

If OK, check harness for short to ground and short to power.

NG

Check the following.

- Harness connectors (T2), (B21)
- Harness for open or short between tank fuel temperature sensor and body ground

If NG, repair open circuit or short to ground or short to power in harness or connector.

OK

CHECK COMPONENT
(Tank fuel temperature sensor).
Refer to "COMPONENT INSPECTION" below.

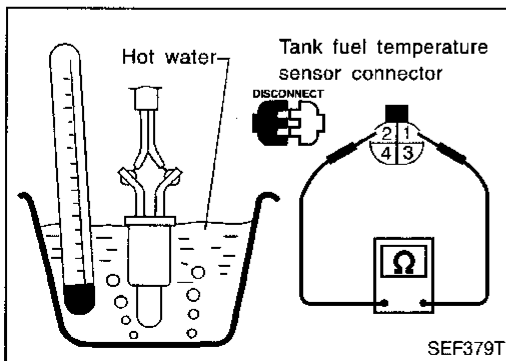
NG

Replace tank fuel temperature sensor.

OK

Perform "TROUBLE DIAGNOSIS FOR INTERMITTENT INCIDENT", EC-96.

INSPECTION END



COMPONENT INSPECTION

Tank fuel temperature sensor

Check resistance by heating with hot water or heat gun as shown in the figure.

Temperature °C (°F)	Resistance kΩ
20 (68)	2.3 - 2.7
50 (122)	0.79 - 0.90

If NG, replace tank fuel temperature sensor.

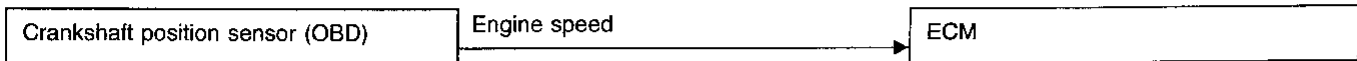
TROUBLE DIAGNOSIS FOR DTC P0300 - P0304

No. 4 - 1 Cylinder Misfire, Multiple Cylinder Misfire

ON BOARD DIAGNOSIS LOGIC

If a misfire occurs, the engine speed will fluctuate. If the fluctuation is detected by the crankshaft position sensor (OBD), the misfire is diagnosed.

The misfire detection logic consists of the following two conditions.



1. One Trip Detection Logic (Three Way Catalyst Damage)

When a misfire is detected which will overheat and damage the three way catalyst, the malfunction indicator lamp (MIL) will start blinking; even during the first trip. In this condition, ECM monitors the misfire every 200 revolutions.

If the misfire frequency decreases to a level that will not damage the three way catalyst, the MIL will change from blinking to lighting up.

(After the first trip detection, the MIL will light up from engine starting. If a misfire is detected that will cause three way catalyst damage, the MIL will start blinking.)

2. Two Trip Detection Logic (Exhaust quality deterioration)

When a misfire that will not damage the three way catalyst (but will affect exhaust emission) occurs, the malfunction indicator lamp will light up based on two trip detection logic. In this condition, ECM monitors the misfire for every 1,000 revolutions of the engine.

Diagnostic Trouble Code No.	Malfunction is detected when ...	Check Items (Possible Cause)
P0300 (0701)	<ul style="list-style-type: none"> ● Multiple cylinders misfire. 	<ul style="list-style-type: none"> ● Improper spark plug ● Insufficient compression ● Incorrect fuel pressure ● EGR valve ● The injector circuit is open or shorted ● Injectors ● Intake air leak ● The ignition secondary circuit is open or shorted ● Lack of fuel ● Drive plate/Flywheel ● Front heated oxygen sensor
P0301 (0608)	<ul style="list-style-type: none"> ● No. 1 cylinder misfires. 	
P0302 (0607)	<ul style="list-style-type: none"> ● No. 2 cylinder misfires. 	
P0303 (0606)	<ul style="list-style-type: none"> ● No. 3 cylinder misfires. 	
P0304 (0605)	<ul style="list-style-type: none"> ● No. 4 cylinder misfires. 	

TROUBLE DIAGNOSIS FOR DTC P0300 - P0304

No. 4 - 1 Cylinder Misfire, Multiple Cylinder Misfire (Cont'd)

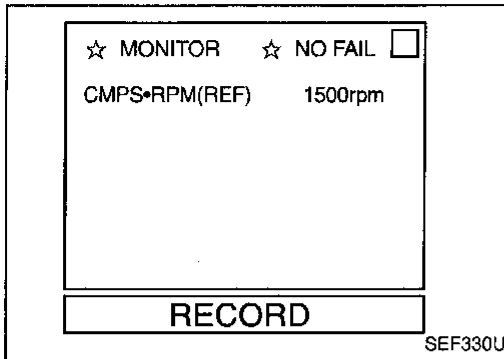
DIAGNOSTIC TROUBLE CODE CONFIRMATION PROCEDURE (Overall)

CAUTION:

Always drive vehicle at a safe speed.

NOTE:

If "DIAGNOSTIC TROUBLE CODE CONFIRMATION PROCEDURE" has been previously conducted, always turn ignition switch "OFF" and wait at least 5 seconds before conducting the next test.



- 1) Turn ignition switch "ON", and select "DATA MONITOR" mode with CONSULT.
- 2) Start engine and warm it up to normal operating temperature.
- 3) Turn ignition switch "OFF" and wait at least 5 seconds.
- 4) Start engine again and drive at 1,500 - 3,000 rpm for at least 3 minutes.

Hold the accelerator pedal as steady as possible.

Note: Refer to the freeze frame data for the test driving conditions.

OR



- 1) Start engine and warm it up to normal operating temperature.
- 2) Turn ignition switch "OFF" and wait at least 5 seconds.
- 3) Start engine again and drive at 1,500 - 3,000 rpm for at least 3 minutes.

Hold the accelerator pedal as steady as possible.

Note: Refer to the freeze frame data for the test driving conditions.

- 4) Select "MODE 7" with GST.

OR



- 1) Start engine and warm it up to normal operating temperature.
- 2) Turn ignition switch "OFF" and wait at least 5 seconds.
- 3) Start engine again and drive at 1,500 - 3,000 rpm for at least 3 minutes.
- 4) Turn ignition switch "OFF", wait at least 5 seconds, and then turn "ON".
- 5) Perform "Diagnostic Test Mode II (Self-diagnostic results)" with ECM.

GI

MA

EM

LC

EC

FE

CL

MT

AT

PD

FA

RA

BR

ST

RS

BT

HA

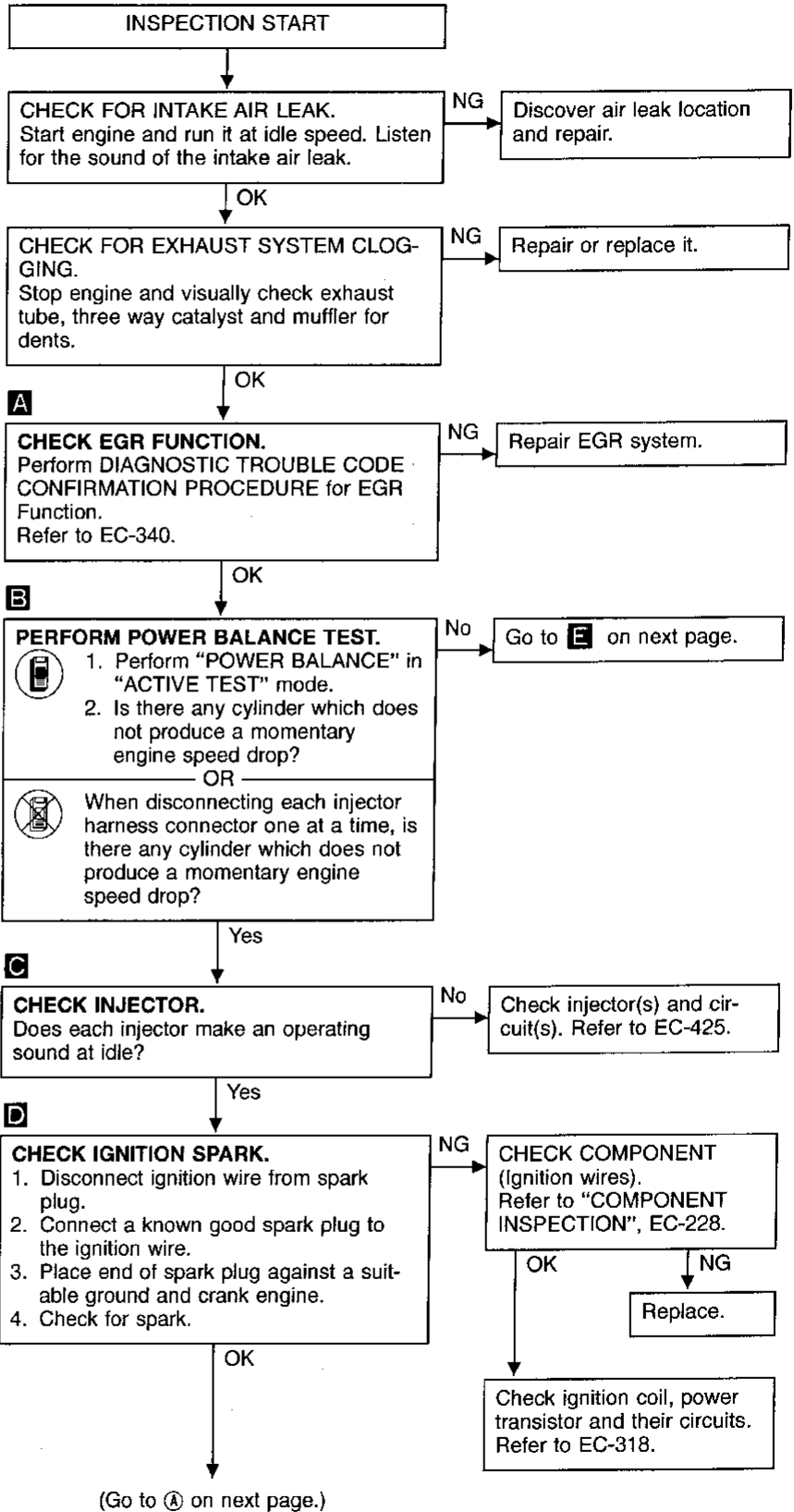
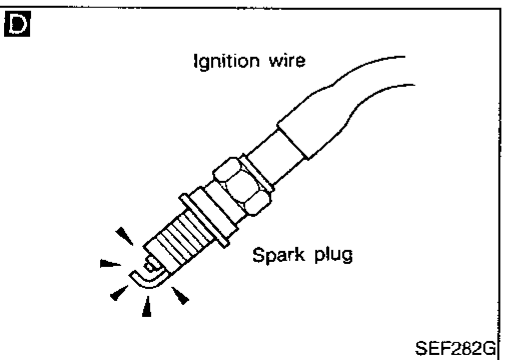
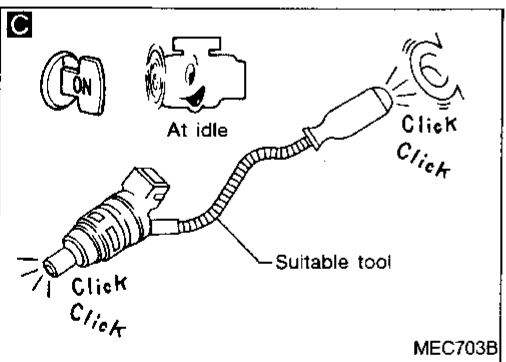
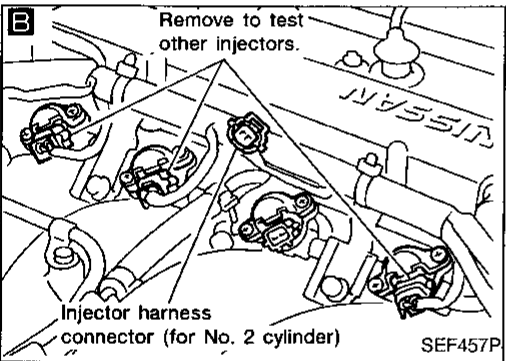
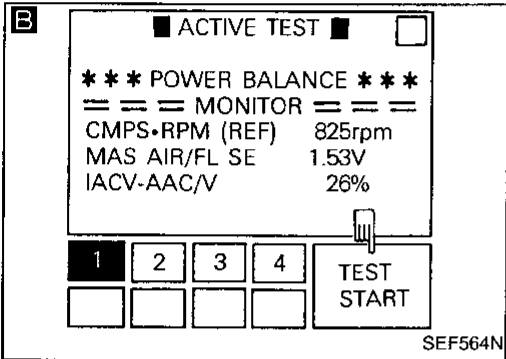
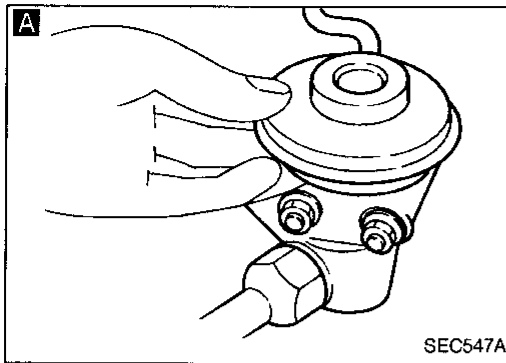
EL

IDX

TROUBLE DIAGNOSIS FOR DTC P0300 - P0304

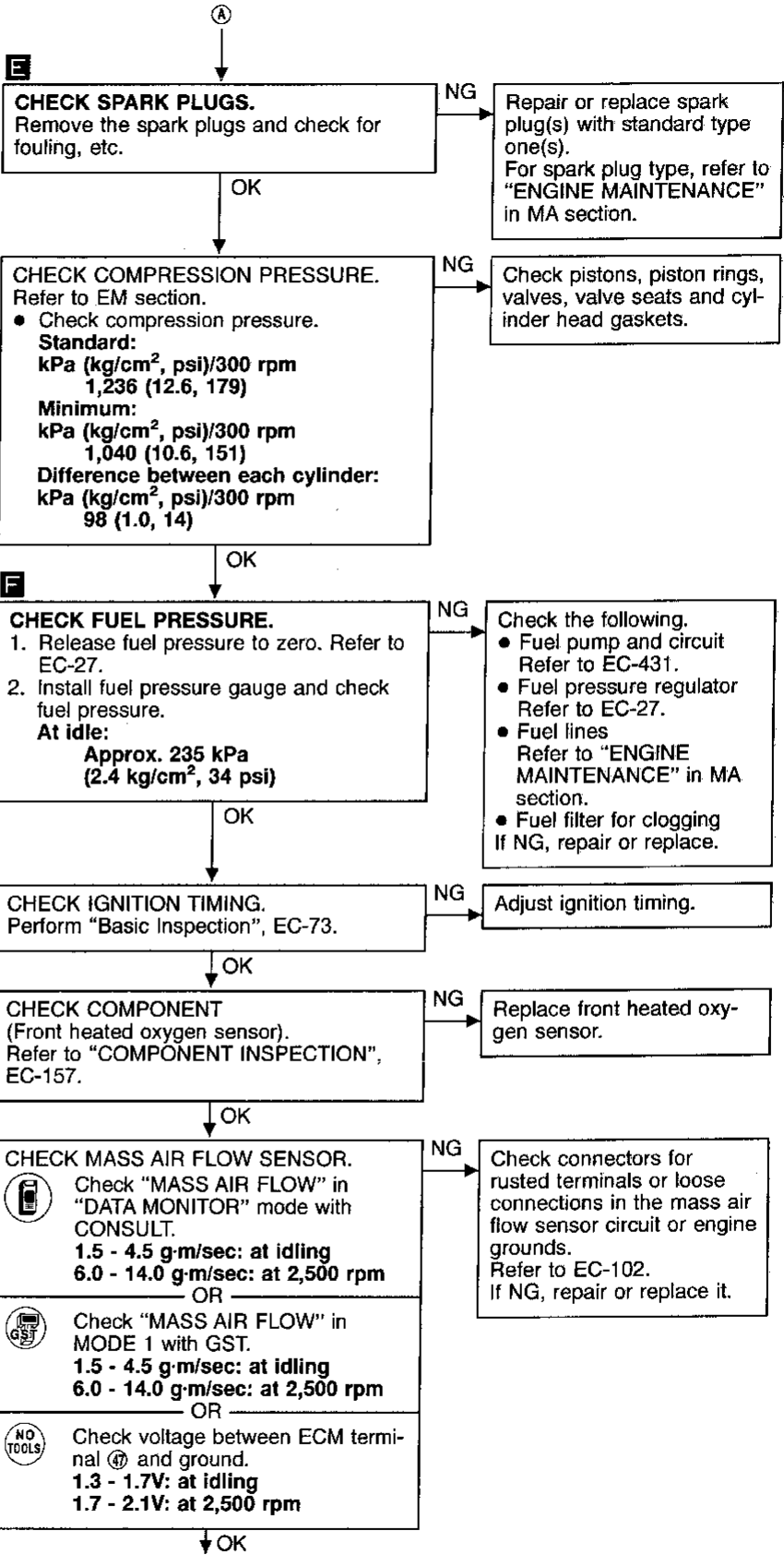
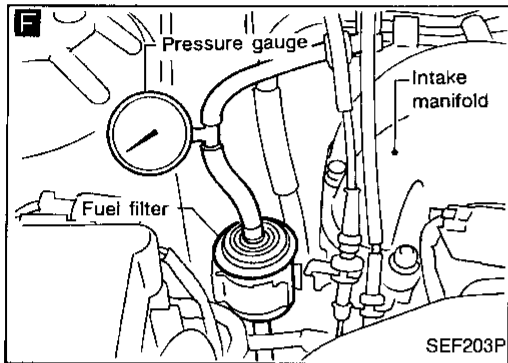
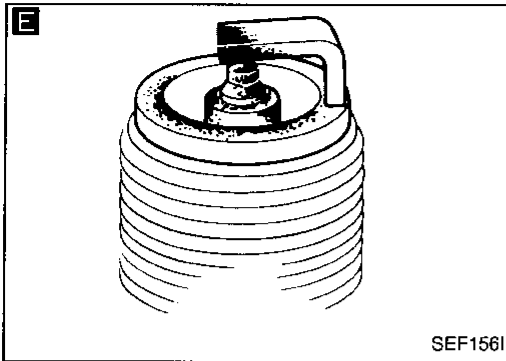
No. 4 - 1 Cylinder Misfire, Multiple Cylinder Misfire (Cont'd)

DIAGNOSTIC PROCEDURE



TROUBLE DIAGNOSIS FOR DTC P0300 - P0304

No. 4 - 1 Cylinder Misfire, Multiple Cylinder Misfire (Cont'd)

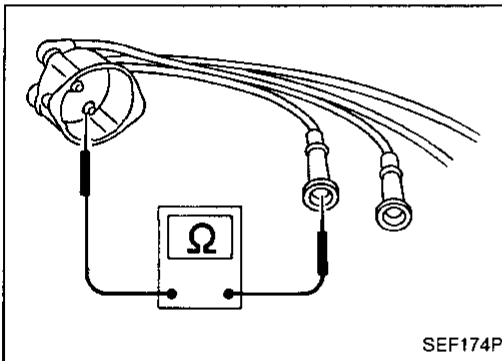
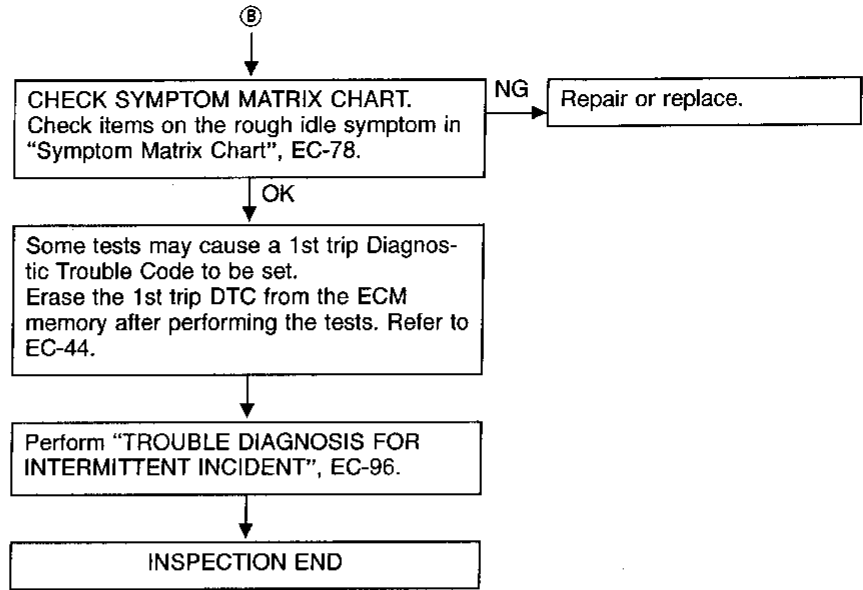


(Go to B on next page.)

GI
MA
EM
LC
EC
FE
CL
MT
AT
PD
FA
RA
BR
ST
RS
BT
HA
EL
IDX

TROUBLE DIAGNOSIS FOR DTC P0300 - P0304

No. 4 - 1 Cylinder Misfire, Multiple Cylinder Misfire (Cont'd)



COMPONENT INSPECTION

Ignition wires

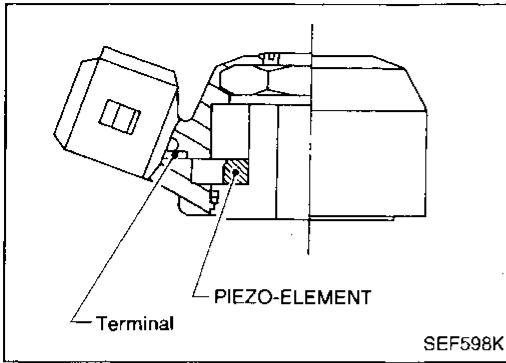
1. Inspect wires for cracks, damage, burned terminals and for improper fit.
2. Measure the resistance of wires to their distributor cap terminal. Move each wire while testing to check for intermittent breaks.

Resistance:

13.6 - 18.4 kΩ/m (4.15 - 5.61 kΩ/ft) at 25°C (77°F)

If the resistance exceeds the above specification, inspect ignition wire to distributor cap connection. Clean connection or replace the ignition wire with a new one.

TROUBLE DIAGNOSIS FOR DTC P0325



Knock Sensor (KS)

COMPONENT DESCRIPTION

The knock sensor is attached to the cylinder block. It senses engine knocking using a piezoelectric element. A knocking vibration from the cylinder block is sensed as vibrational pressure. This pressure is converted into a voltage signal and sent to the ECM.

* Freeze frame data will not be stored in the ECM for the knock sensor. The MIL will not light for knock sensor malfunction. The knock sensor has one trip detection logic.

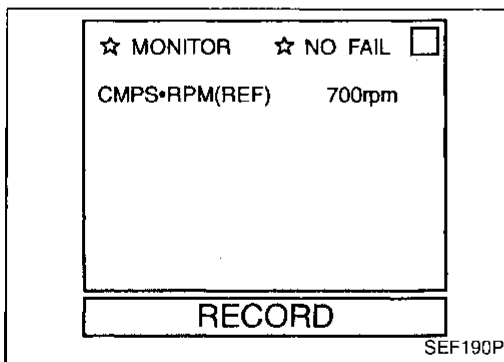
ECM TERMINALS AND REFERENCE VALUE

Specification data are reference values and are measured between each terminal and Ⓒ (ECCS ground).

TER-MINAL NO.	WIRE COLOR	ITEM	CONDITION	DATA (DC Voltage)
54	W	Knock sensor	Engine is running. └ Idle speed	2.0 - 3.0V

ON BOARD DIAGNOSIS LOGIC

Diagnostic Trouble Code No.	Malfunction is detected when	Check Items (Possible Cause)
P0325 0304	<ul style="list-style-type: none"> An excessively low or high voltage from the knock sensor is sent to ECM. 	<ul style="list-style-type: none"> Harness or connectors (The knock sensor circuit is open or shorted.) Knock sensor



DIAGNOSTIC TROUBLE CODE CONFIRMATION PROCEDURE

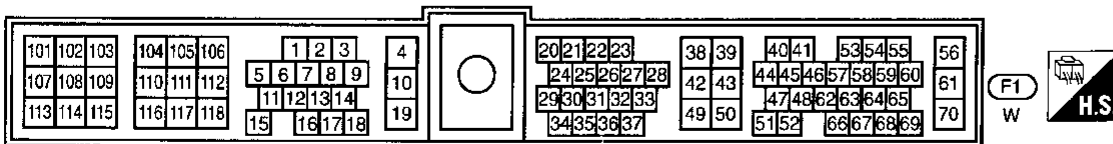
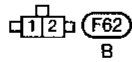
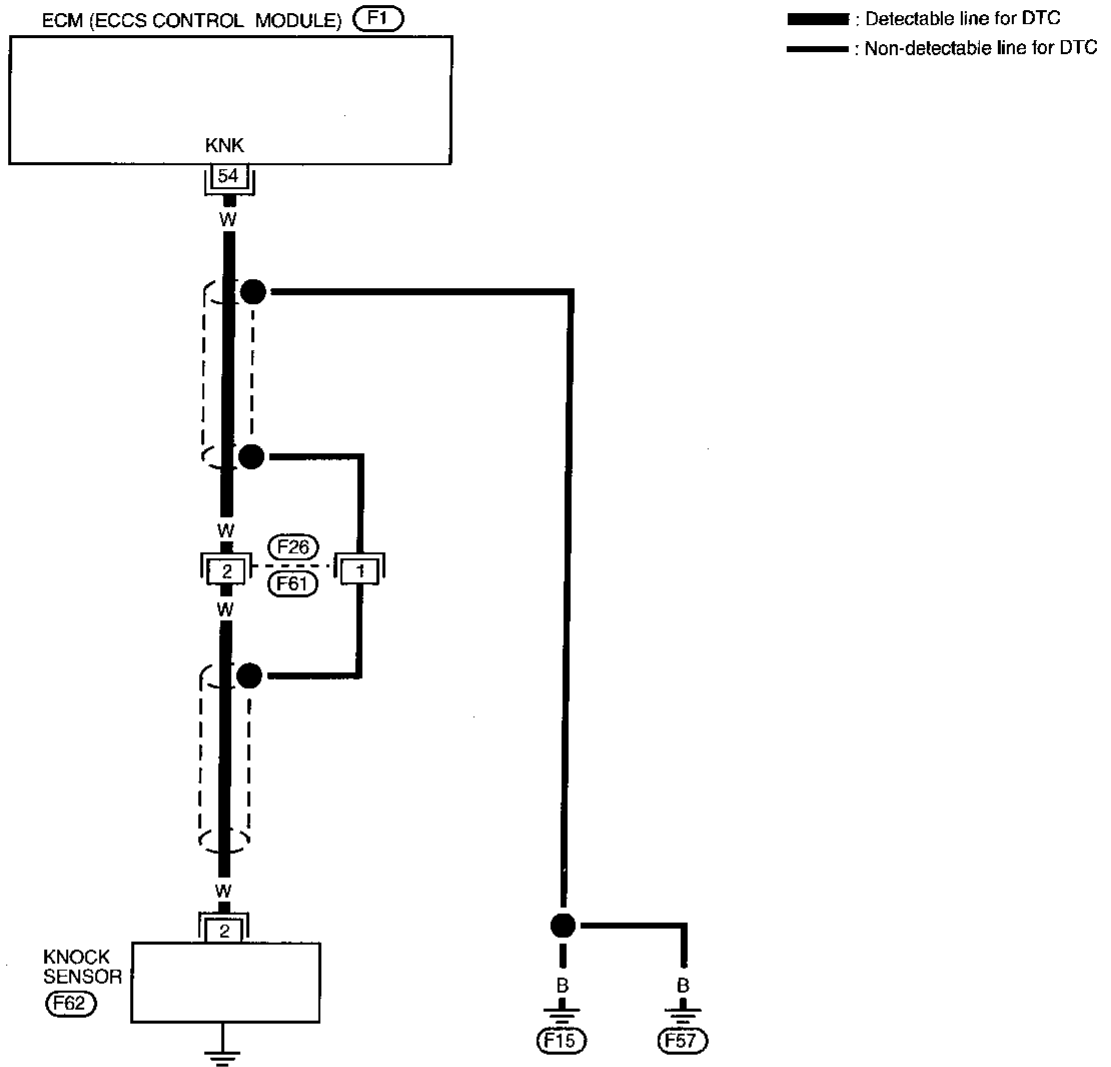
Note: Before performing the following procedure, confirm that battery voltage is more than 10V at idle.

- 1) Turn ignition switch "ON" and select "DATA MONITOR" mode with CONSULT.
 - 2) Start engine and run it for at least 5 seconds at idle speed.
- OR
- 1) Start engine and run it for at least 5 seconds at idle speed.
 - 2) Select "MODE 3" with GST.
- OR
- 1) Start engine and run it for at least 5 seconds at idle speed.
 - 2) Turn ignition switch "OFF", wait at least 5 seconds and then turn "ON".
 - 3) Perform "Diagnostic Test Mode II" (Self-diagnostic results) with ECM.

TROUBLE DIAGNOSIS FOR DTC P0325

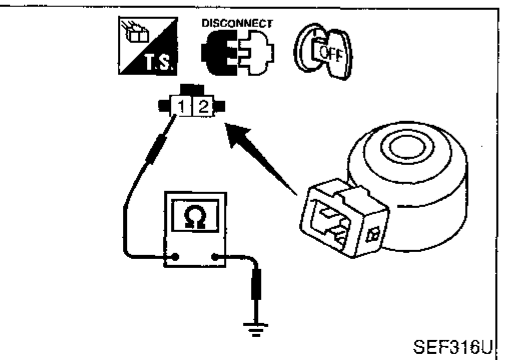
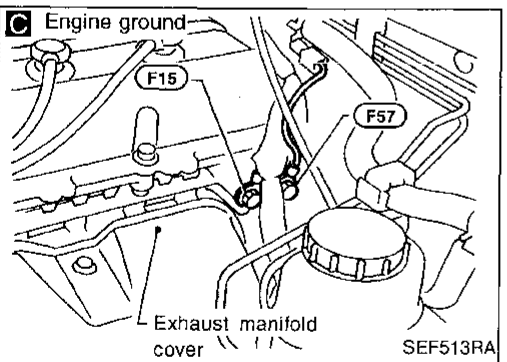
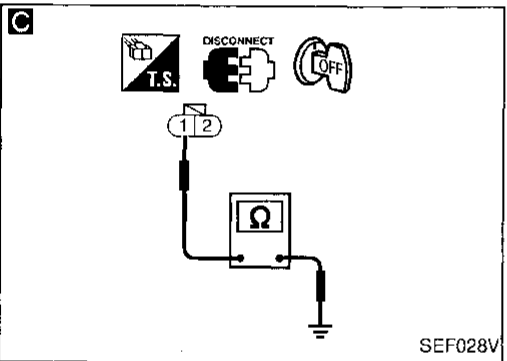
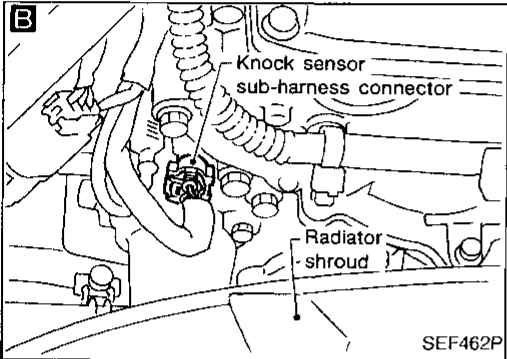
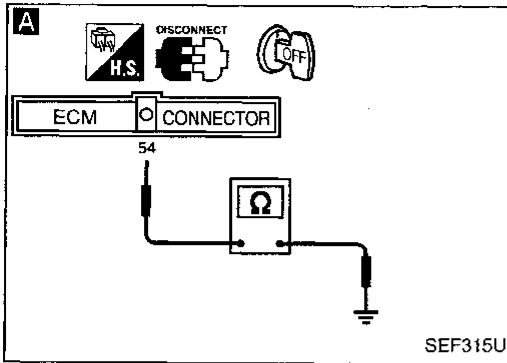
Knock Sensor (KS) (Cont'd)

EC-KS-01



TROUBLE DIAGNOSIS FOR DTC P0325

Knock Sensor (KS) (Cont'd) DIAGNOSTIC PROCEDURE



INSPECTION START

A
CHECK INPUT SIGNAL CIRCUIT.
1. Disconnect ECM harness connector.
2. Check harness continuity between ECM terminal ④ and ground.
Resistance:
Approximately 500 - 620 kΩ [at 25°C (77°F)]
If OK, check harness for short to ground and short to power.
It is necessary to use an ohmmeter which can measure more than 10 MΩ.

B
Check the following.
● Harness connectors (F26), (F61)
If NG, repair open circuit or short to ground or short to power in harness or connectors.
● Knock sensor (Refer to "COMPONENT INSPECTION" below.)
If NG, replace knock sensor.

C
CHECK SHIELD CIRCUIT.
1. Turn ignition switch "OFF".
2. Loosen and retighten engine ground screws.
3. Disconnect knock sensor sub-harness connector.
4. Check the following.
● Continuity between knock sensor sub-harness connector terminal ① and ground
Continuity should exist.
If OK, check harness for short to ground and short to power. Then reconnect knock sensor sub-harness connector.

B
Check the following.
● Harness connector (F26)
● Harness for open or short between connector (F26) and ground
If NG, repair open circuit or short to ground or short to power in harness or connectors.

Perform "TROUBLE DIAGNOSIS FOR INTERMITTENT INCIDENT", EC-96.

INSPECTION END

COMPONENT INSPECTION

Knock sensor

- Use an ohmmeter which can measure more than 10 MΩ.
- 1. Disconnect knock sensor harness connector.
- 2. Check resistance between terminal ① and ground.
Resistance: 500 - 620 kΩ [at 25°C (77°F)]

CAUTION:

Do not use any knock sensors that have been dropped or physically damaged. Use only new ones.

GI
MA
EM
LC
EC
FE
CL
MT
AT
PD
FA
RA
BR
ST
RS
BT
HA
EL
IDX

TROUBLE DIAGNOSIS FOR DTC P0335

Crankshaft Position Sensor (CKPS) (OBD)

COMPONENT DESCRIPTION

The crankshaft position sensor (OBD) is located on the transaxle housing facing the gear teeth (cogs) of the flywheel or drive plate. It detects the fluctuation of the engine revolution.

The sensor consists of a permanent magnet, core and coil.

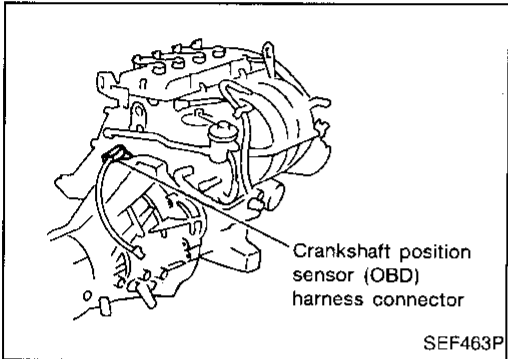
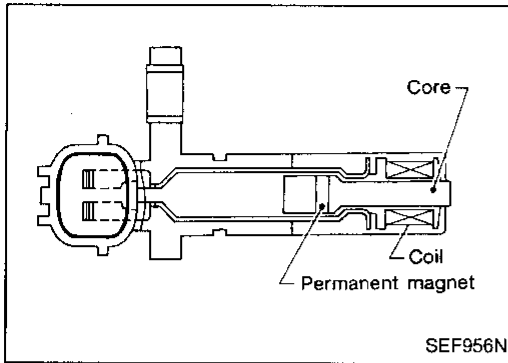
When the engine is running, the high and low parts of the teeth cause the gap with the sensor to change.

The changing gap causes the magnetic field near the sensor to change.

Due to the changing magnetic field, the voltage from the sensor changes.

The ECM receives the voltage signal and detects the fluctuation of the engine revolution.

This sensor is not directly used to control the engine system. It is used only for the on board diagnosis.



ECM TERMINALS AND REFERENCE VALUE

Specification data are reference values and are measured between each terminal and Ⓞ (ECCS ground).

TER-MINAL NO.	WIRE COLOR	ITEM	CONDITION	DATA (DC Voltage)
53	P	Crankshaft position sensor (OBD)	<div style="border: 1px solid black; padding: 2px;">Engine is running.</div> (Warm-up condition) ↳ Idle speed	Approximately 0V
			<div style="border: 1px solid black; padding: 2px;">Engine is running.</div> ↳ Engine speed is 2,000 rpm.	Approximately 0V

ON BOARD DIAGNOSIS LOGIC

Diagnostic Trouble Code No.	Malfunction is detected when	Check Items (Possible Cause)
P0335 0802	<ul style="list-style-type: none"> The proper pulse signal from the crankshaft position sensor (OBD) is not sent to ECM while the engine is running at the specified engine speed. 	<ul style="list-style-type: none"> Harness or connectors (The crankshaft position sensor (OBD) circuit is open.) Crankshaft position sensor (OBD)

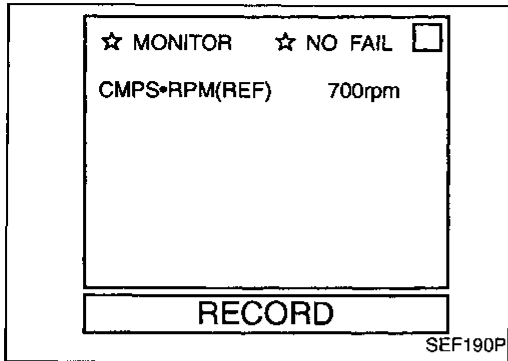
TROUBLE DIAGNOSIS FOR DTC P0335

Crankshaft Position Sensor (CKPS) (OBD) (Cont'd)

DIAGNOSTIC TROUBLE CODE CONFIRMATION PROCEDURE

NOTE:

If "DIAGNOSTIC TROUBLE CODE CONFIRMATION PROCEDURE" has been previously conducted, always turn ignition switch "OFF" and wait at least 5 seconds before conducting the next test.



- 1) Turn ignition switch "ON" and select "DATA MONITOR" mode with CONSULT.
- 2) Start engine and run it for at least 15 seconds at idle speed.

OR



- 1) Start engine and run it for at least 15 seconds at idle speed.
- 2) Select "MODE 7" with GST.

OR



- 1) Start engine and run it for at least 15 seconds at idle speed.
- 2) Turn ignition switch "OFF", wait at least 5 seconds and then turn "ON".
- 3) Perform "Diagnostic Test Mode II" (Self-diagnostic results) with ECM.

GI

MA

EM

LC

EC

FE

CL

MT

AT

PD

FA

RA

BR

ST

RS

BT

HA

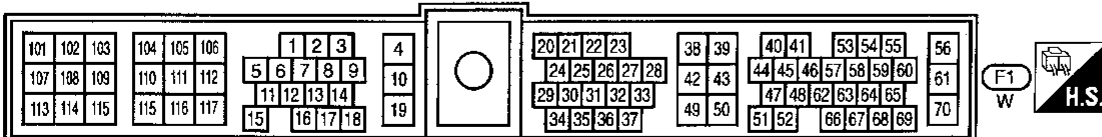
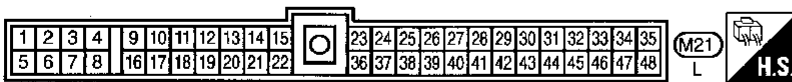
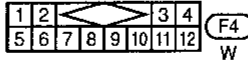
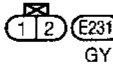
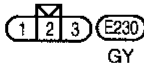
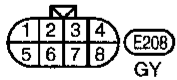
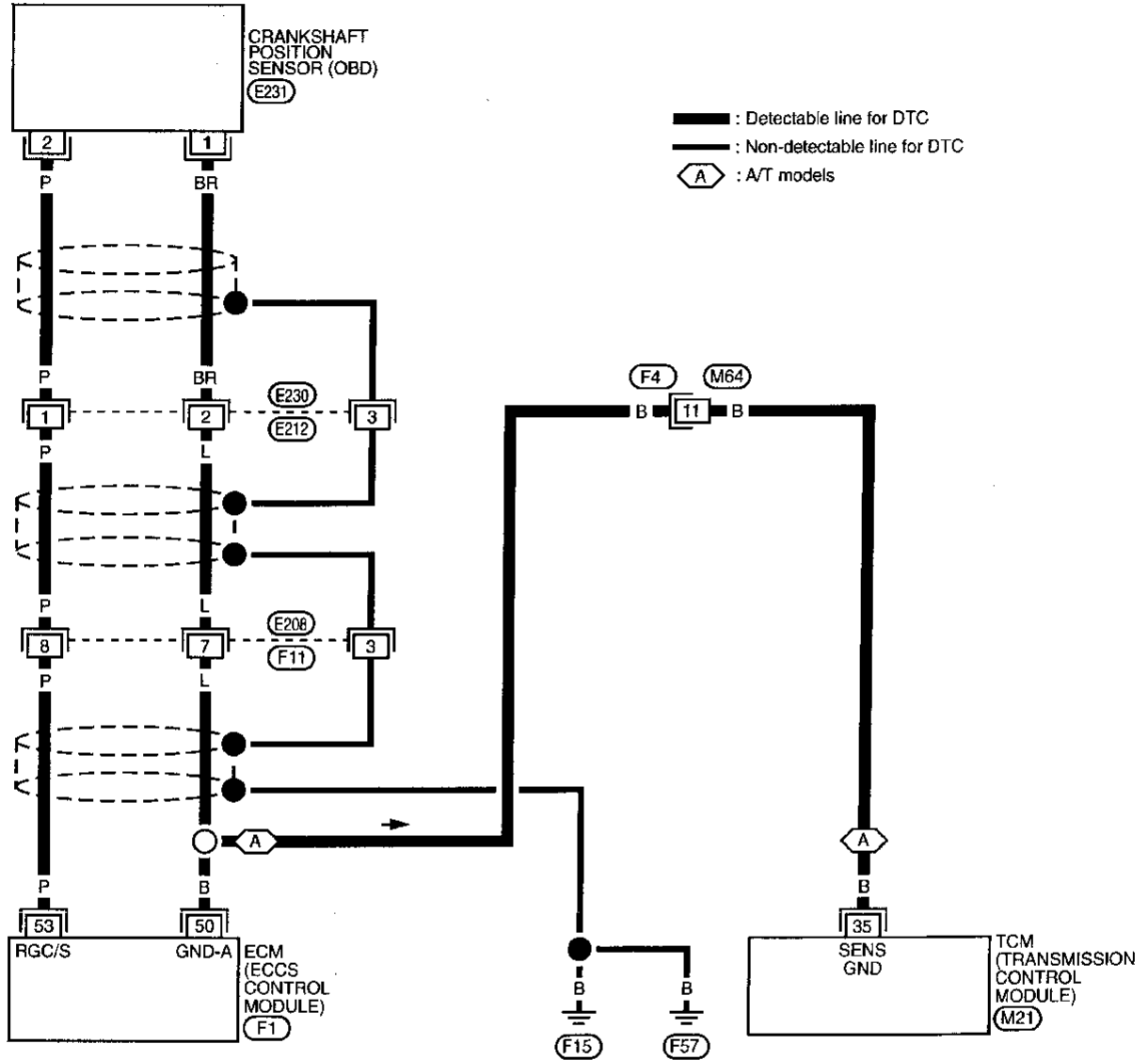
EL

IDX

TROUBLE DIAGNOSIS FOR DTC P0335

Crankshaft Position Sensor (CKPS) (OBD) (Cont'd)

EC-CKPS-01



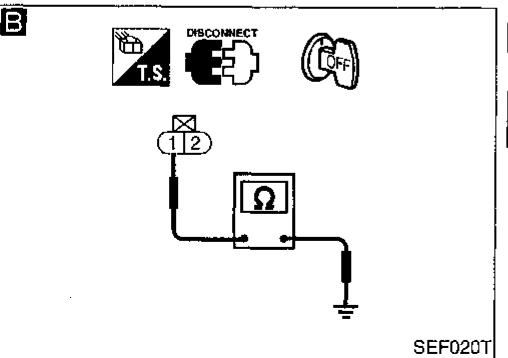
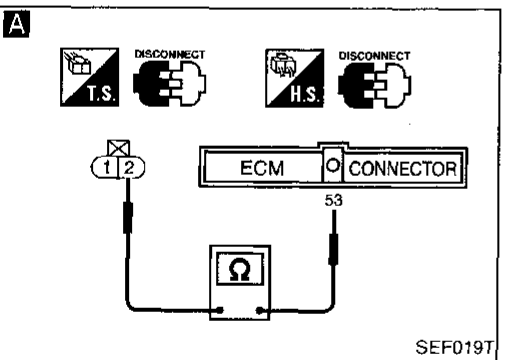
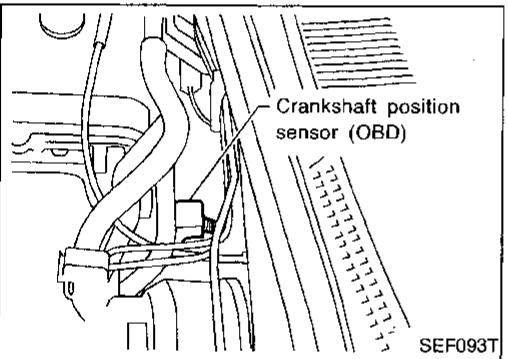
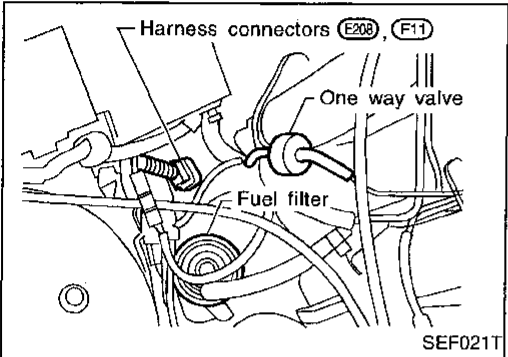
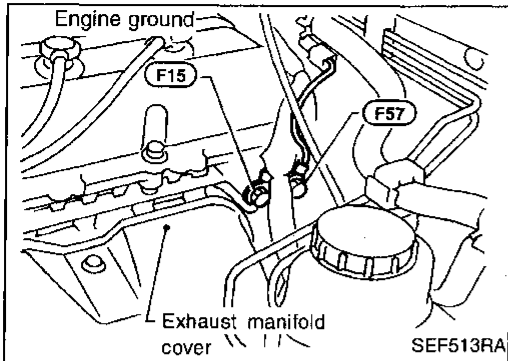
TROUBLE DIAGNOSIS FOR DTC P0335

Crankshaft Position Sensor (CKPS) (OBD) (Cont'd)

DIAGNOSTIC PROCEDURE

INSPECTION START

1. Turn ignition switch "OFF".
2. Loosen and retighten engine ground screws.



A

CHECK INPUT SIGNAL CIRCUIT.

1. Disconnect crankshaft position sensor (OBD) and ECM harness connectors.
2. Check continuity between ECM terminal ③ and terminal ②. **Continuity should exist.** If OK, check harness for short to ground and short to power.

- Check the following.
- Harness connectors (E230), (E212)
 - Harness connectors (E208), (F11)
 - Harness for open or short between ECM and crankshaft position sensor (OBD)
- If NG, repair open circuit or short to ground or short to power in harness or connectors.

B

CHECK GROUND CIRCUIT.

1. Reconnect ECM harness connector.
2. Check harness continuity between terminal ① and engine ground. **Continuity should exist.** If OK, check harness for short to ground and short to power.

- Check the following.
- Harness connectors (E230), (E212)
 - Harness connectors (E208), (F11)
 - Harness connectors (F4), (M64)
 - Harness for open or short between ECM and crankshaft position sensor (OBD) harness connector
 - Harness for open or short between TCM and crankshaft position sensor (OBD)
- If NG, repair open circuit or short to ground or short to power in harness or connectors.

CHECK COMPONENT
[Crankshaft position sensor (OBD)].
Refer to "COMPONENT INSPECTION" on next page.

Replace crankshaft position sensor (OBD).

Perform "TROUBLE DIAGNOSIS FOR INTERMITTENT INCIDENT", EC-96.

INSPECTION END

GI
MA
EM
LC
EC
FE
CL
MT
AT
PD
FA
RA
BR
ST
RS
BT
HA
EL
IDX

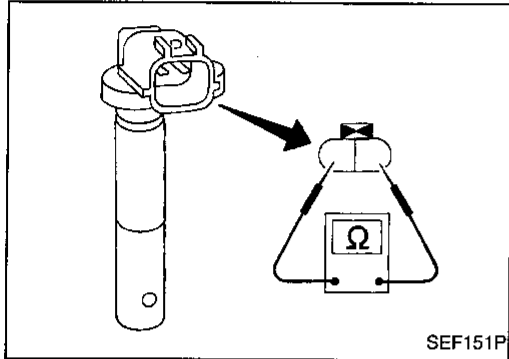
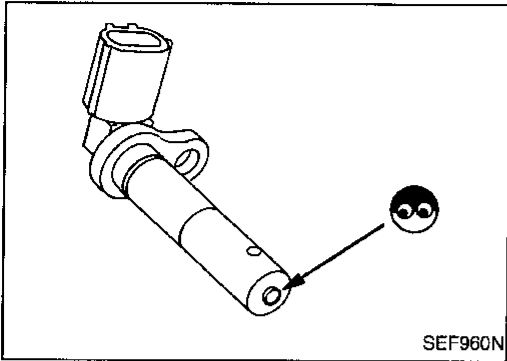
TROUBLE DIAGNOSIS FOR DTC P0335

Crankshaft Position Sensor (CKPS) (OBD) (Cont'd)

COMPONENT INSPECTION

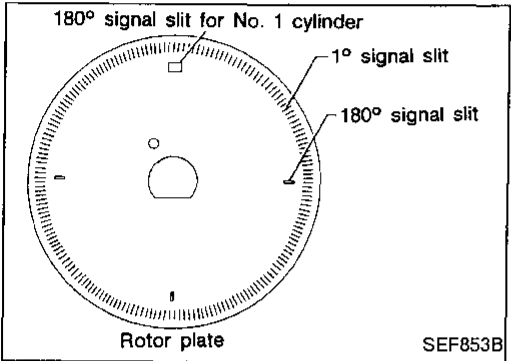
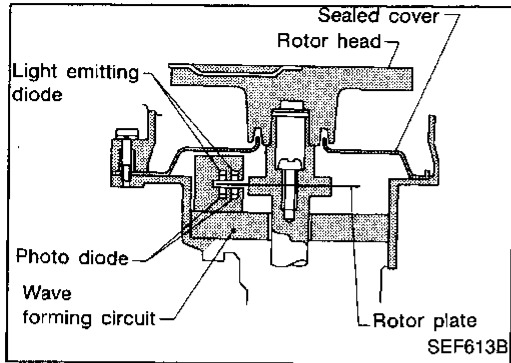
Crankshaft position sensor (OBD)

1. Disconnect crankshaft position sensor (OBD) harness connector.
2. Loosen the fixing bolt of the sensor.
3. Remove the sensor.
4. Visually check the sensor for chipping.



5. Check resistance as shown in the figure.
Resistance: Approximately 166.5 - 203.5 Ω
[at 20°C (68°F)]
If NG, replace crankshaft position sensor (OBD).

TROUBLE DIAGNOSIS FOR DTC P0340



Camshaft Position Sensor (CMPS)

COMPONENT DESCRIPTION

The camshaft position sensor is a basic component of the ECCS. It monitors engine speed and piston position. These input signals to the ECM are used to control fuel injection, ignition timing and other functions.

The camshaft position sensor has a rotor plate and a wave-forming circuit. The rotor plate has 360 slits for a 1° (POS) signal and 4 slits for a 180° (REF) signal. The wave-forming circuit consists of Light Emitting Diodes (LED) and photo diodes.

The rotor plate is positioned between the LED and the photo diode. The LED transmits light to the photo diode. As the rotor plate turns, the slits cut the light to generate rough-shaped pulses. These pulses are converted into on-off signals by the wave-forming circuit and sent to the ECM.

The distributor is not repairable and must be replaced as an assembly except distributor cap.

GI

MA

EM

LC

EC

FE

CL

ECM TERMINALS AND REFERENCE VALUE

Specification data are reference values and are measured between each terminal and Ⓞ (ECCS ground).

TER-MINAL NO.	WIRE COLOR	ITEM	CONDITION	DATA (DC Voltage)
4	R/B	ECCS relay (Self-shutoff)	Engine is running. Ignition switch "OFF" For a few seconds after turning ignition switch "OFF"	0 - 1V
			Ignition switch "OFF" A few seconds passed after turning ignition switch "OFF"	BATTERY VOLTAGE (11 - 14V)
40	W	Camshaft position sensor (Reference signal)	Engine is running. (Warm-up condition) Idle speed	0.1 - 0.5V SEF199T
44	W		Engine is running. Engine speed is 2,000 rpm.	0.2 - 0.4V SEF200T

AT

PD

FA

RA

BR

ST

RS

BT

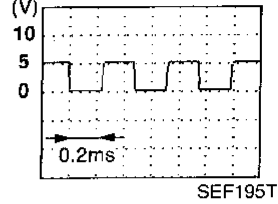
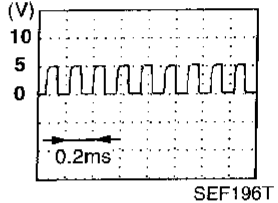
HA

EL

IDX

TROUBLE DIAGNOSIS FOR DTC P0340

Camshaft Position Sensor (CMPS) (Cont'd)

TER-MINAL NO.	WIRE COLOR	ITEM	CONDITION	DATA (DC Voltage)
41	B	Camshaft position sensor (Position signal)	Engine is running.	Approximately 2.5V 
			Engine is running. Engine speed is 2,000 rpm.	Approximately 2.3 - 2.5V 
56	B/W	Power supply for ECM	Ignition switch "ON"	BATTERY VOLTAGE (11 - 14V)
61	B/W			
113	R	Current return	Engine is running. Idle speed	BATTERY VOLTAGE (11 - 14V)

ON BOARD DIAGNOSIS LOGIC

Diagnostic Trouble Code No.	Malfunction is detected when	Check Items (Possible Cause)
P0340 0101	A) Either 1° or 180° signal is not sent to ECM for the first few seconds during engine cranking. ----- B) Either 1° or 180° signal is not sent to ECM often enough while the engine speed is higher than the specified engine speed. ----- C) The relation between 1° and 180° signal is not in the normal range during the specified engine speed.	<ul style="list-style-type: none"> ● Harness or connectors (The camshaft position sensor circuit is open or shorted.) ● Camshaft position sensor ● Starter motor (Refer to EL section.) ● Starting system circuit (Refer to EL section.) ● Dead (Weak) battery

DIAGNOSTIC TROUBLE CODE CONFIRMATION PROCEDURE

Perform "Procedure for malfunction A" first. If DTC cannot be confirmed, perform "Procedure for malfunction B and C".

TROUBLE DIAGNOSIS FOR DTC P0340

Camshaft Position Sensor (CMPS) (Cont'd)

Procedure for malfunction A

NOTE:

If "DIAGNOSTIC TROUBLE CODE CONFIRMATION PROCEDURE" has been previously conducted, always turn ignition switch "OFF" and wait at least 5 seconds before conducting the next test.

TESTING CONDITION:

Before performing the following procedure, confirm that battery voltage is more than 10.5V at idle.

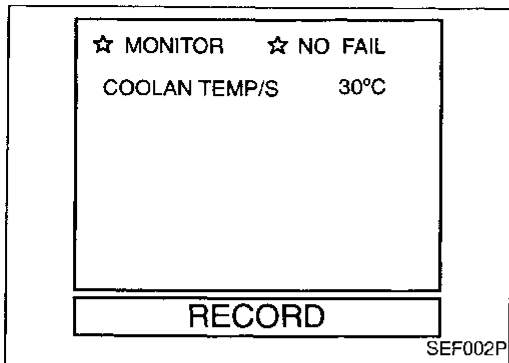
- 1) Turn ignition switch "ON".
- 2) Select "DATA MONITOR" mode with CONSULT.
- 3) Crank engine for at least 2 seconds.

OR

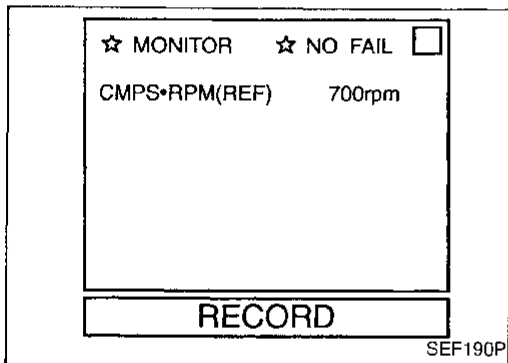
- 1) Crank engine for at least 2 seconds.
- 2) Select "MODE 7" with GST.

OR

- 1) Crank engine for at least 2 seconds.
- 2) Turn ignition switch "OFF", wait at least 5 seconds and then turn "ON".
- 3) Perform "Diagnostic Test Mode II" (Self-diagnostic results) with ECM.



SEF002P



SEF190P

Procedure for malfunction B and C

NOTE:

If "DIAGNOSTIC TROUBLE CODE CONFIRMATION PROCEDURE" has been previously conducted, always turn ignition switch "OFF" and wait at least 5 seconds before conducting the next test.

TESTING CONDITION:

Before performing the following procedure, confirm that battery voltage is more than 10.5V at idle.

- 1) Turn ignition switch "ON".
- 2) Select "DATA MONITOR" mode with CONSULT.
- 3) Start engine and run it for at least 2 seconds at idle speed.

OR

- 1) Start engine and run it for at least 2 seconds at idle speed.
- 2) Select "MODE 7" with GST.

OR

- 1) Start engine and run it for at least 2 seconds at idle speed.
- 2) Turn ignition switch "OFF", wait at least 5 seconds and then turn "ON".
- 3) Perform "Diagnostic Test Mode II" (Self-diagnostic results) with ECM.

GI

MA

EM

LC

EC

FE

CL

MT

AT

PD

FA

RA

BR

ST

RS

BT

HA

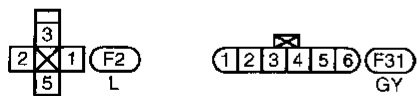
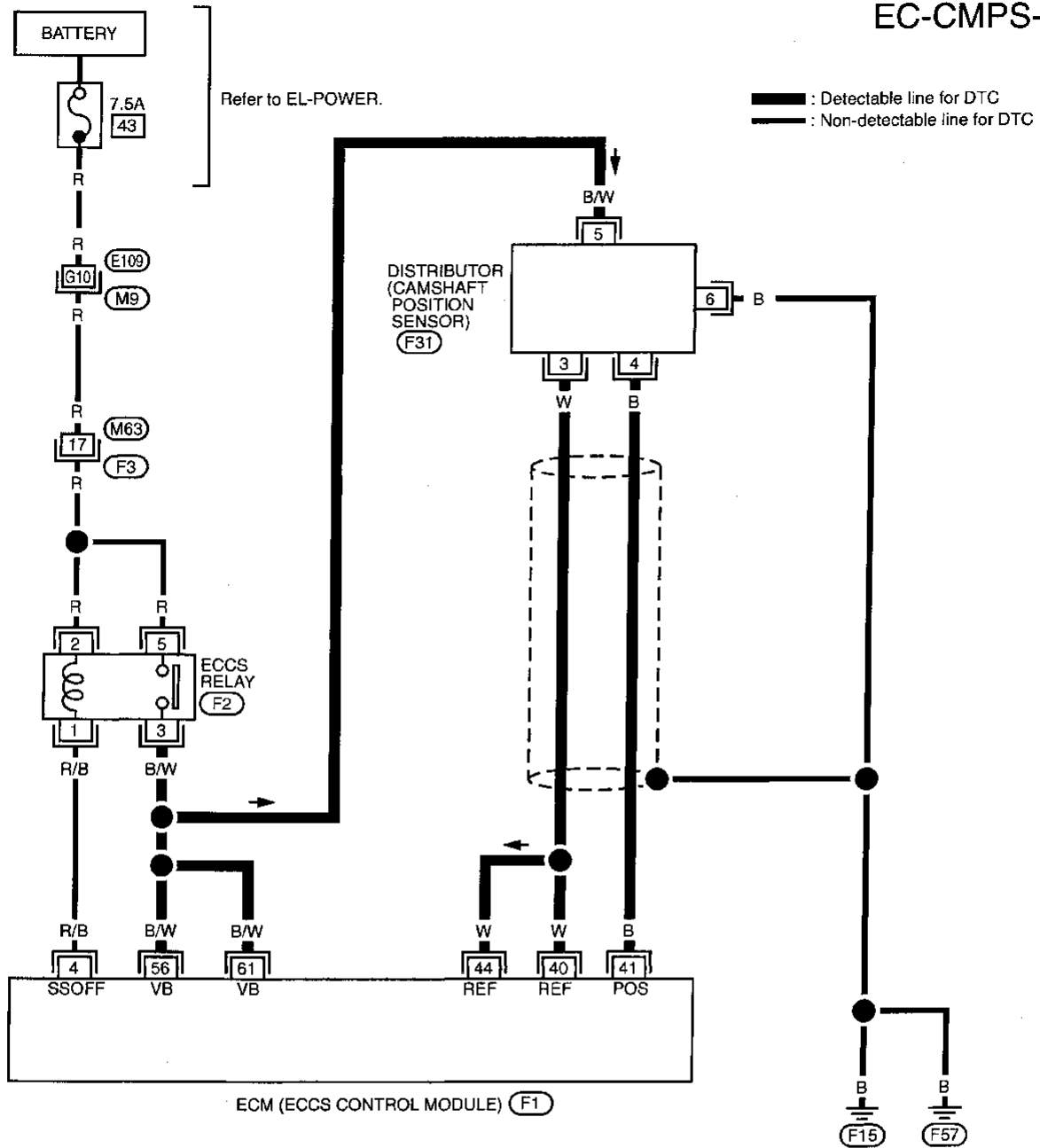
EL

IDX

TROUBLE DIAGNOSIS FOR DTC P0340

Camshaft Position Sensor (CMPS) (Cont'd)

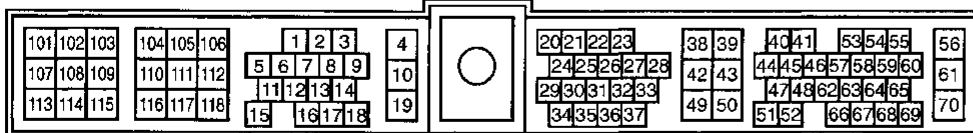
EC-CMPS-01



Refer to last page (Foldout page).

(E109), (M9)

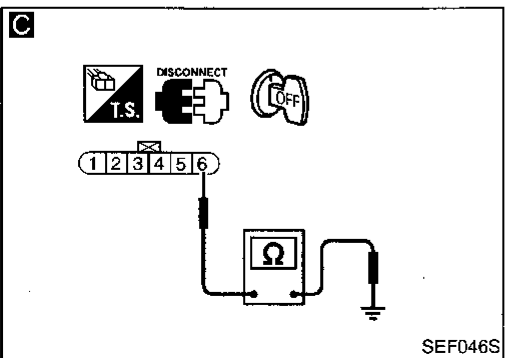
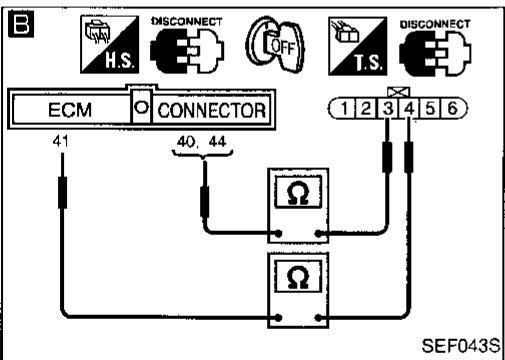
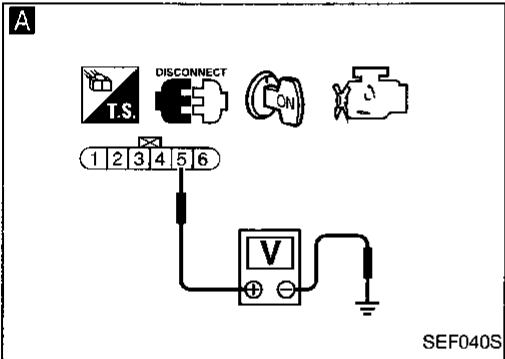
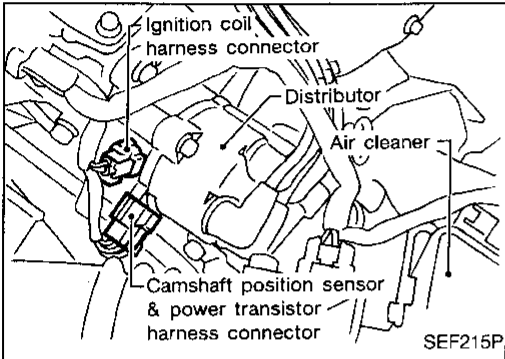
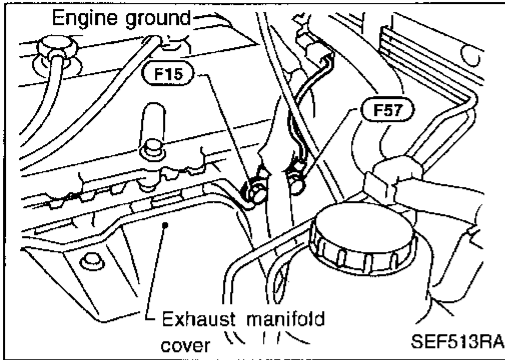
(M63), (F3)



TROUBLE DIAGNOSIS FOR DTC P0340

Camshaft Position Sensor (CMPS) (Cont'd)

DIAGNOSTIC PROCEDURE (DETECTABLE CIRCUIT)



INSPECTION START

1. Turn ignition switch "OFF".
2. Loosen and retighten engine ground screws.

A
CHECK POWER SUPPLY.
1. Disconnect camshaft position sensor harness connector.
2. Turn ignition switch "ON".
3. Check voltage between terminal ⑤ and ground with CONSULT or tester.
Voltage: Battery voltage

NG
Check the following.
• Harness for open or short between camshaft position sensor and ECCS relay
If NG, repair harness or connectors.

B
CHECK INPUT SIGNAL CIRCUIT.
1. Turn ignition switch "OFF".
2. Disconnect ECM harness connector.
3. Check harness continuity between sensor terminal ④ and ECM terminals ④①, sensor terminal ③ and ECM terminals ④②, ④③.
Continuity should exist.
If OK, check harness for short to ground and short to power.

NG
Repair harness or connectors.

C
CHECK GROUND CIRCUIT.
1. Turn ignition switch "OFF".
2. Disconnect camshaft position sensor harness connector.
3. Check harness continuity between sensor terminal ⑥ and engine ground.
Continuity should exist.
If OK, check harness for short to ground and short to power.

NG
Repair harness or connectors.

CHECK COMPONENT
(Camshaft position sensor).
Refer to "COMPONENT INSPECTION" on next page.

NG
Replace camshaft position sensor.

Perform "TROUBLE DIAGNOSIS FOR INTERMITTENT INCIDENT", EC-96.

INSPECTION END

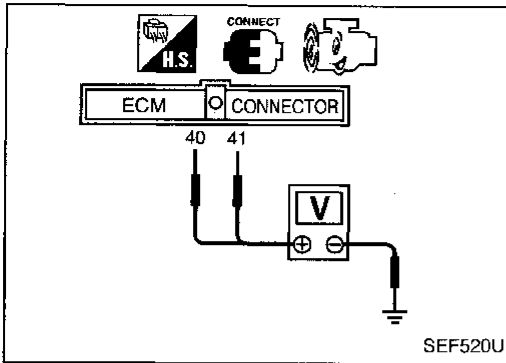
GI
MA
EM
LC
EC
FE
CL
MT
AT
PD
FA
RA
BR
ST
RS
BT
HA
EL
IDX

TROUBLE DIAGNOSIS FOR DTC P0340

Camshaft Position Sensor (CMPS) (Cont'd) COMPONENT INSPECTION

Camshaft position sensor

1. Start engine and warm it up to the normal operating temperature.
2. Check voltage between ECM terminals ④① (or ④④), ④① and ground.



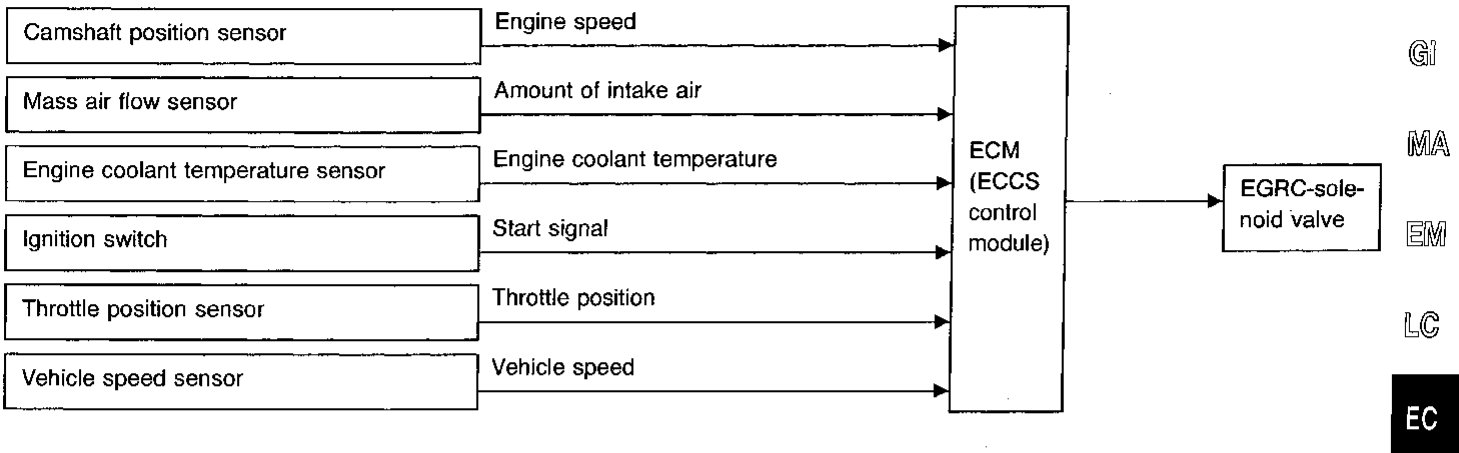
Condition	Terminal	Voltage
Engine running at idle	④① (or ④④) and ground	Approximately 2.5V SEF195T
	④① and ground	Approximately 0.1 - 0.5V SEF199T
Engine speed is 2,000 rpm	④① (or ④④) and ground	Approximately 2.3 - 2.5V SEF196T
	④① and ground	Approximately 0.2 - 0.4V SEF200T

If NG, replace distributor assembly with camshaft position sensor.

TROUBLE DIAGNOSIS FOR DTC P0400

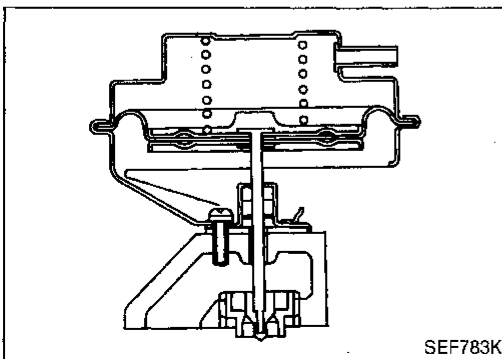
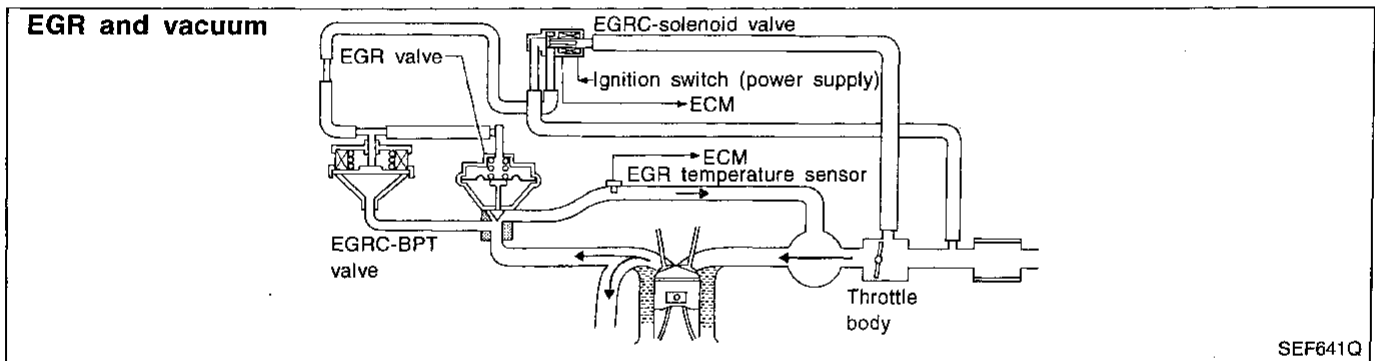
EGR Function (Close)

SYSTEM DESCRIPTION



This system cuts and controls vacuum applied to the EGR valve to suit engine operating conditions. This cut-and-control operation is accomplished through the ECM and the EGRC-solenoid valve. When the ECM detects any of the following conditions, current flows through the solenoid valve. This causes the port vacuum to be discharged into the atmosphere. The EGR valve remains closed.

- Low engine coolant temperature
- Engine starting
- High-speed engine operation
- Engine idling
- Excessively high engine coolant temperature
- Mass air flow sensor malfunction



COMPONENT DESCRIPTION

Exhaust gas recirculation (EGR) valve

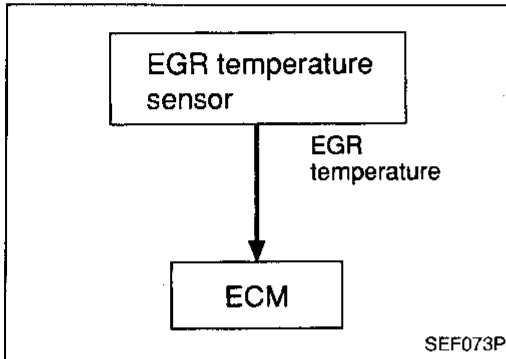
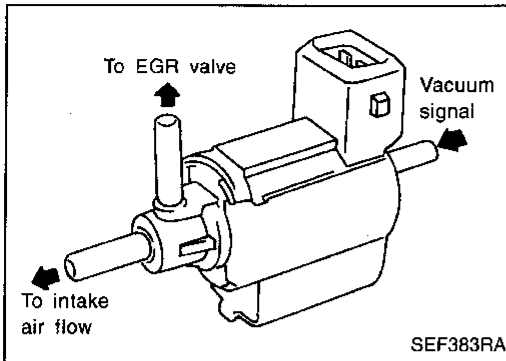
The EGR valve controls the amount of exhaust gas routed to the intake manifold. Vacuum is applied to the EGR valve in response to throttle valve opening. The vacuum controls the movement of a taper valve connected to the vacuum diaphragm in the EGR valve.

TROUBLE DIAGNOSIS FOR DTC P0400

EGR Function (Close) (Cont'd)

EGRC-solenoid valve

The EGRC-solenoid valve responds to signals from the ECM. When the ECM sends an ON (ground) signal, the coil in the solenoid valve is energized. A plunger will then move to cut the vacuum signal (from the throttle body to the EGR valve). When the ECM sends an OFF signal, the vacuum signal passes through the solenoid valve. The signal then reaches the EGR valve.



ON BOARD DIAGNOSIS LOGIC

If the absence of EGR flow is detected by EGR temperature sensor under the condition that calls for EGR, a low-flow malfunction is diagnosed.

Diagnostic Trouble Code No.	Malfunction is detected when ...	Check Items (Possible Cause)
P0400 0302	<ul style="list-style-type: none"> The exhaust gas recirculation (EGR) flow is excessively low during the specified driving condition. 	<ul style="list-style-type: none"> EGR valve stuck closed EGRC-BPT valve Vacuum hose EGRC-solenoid valve EGR passage EGR temperature sensor Exhaust gas leaks

TROUBLE DIAGNOSIS FOR DTC P0400

EGR Function (Close) (Cont'd)

DIAGNOSTIC TROUBLE CODE CONFIRMATION PROCEDURE

CAUTION:

Always drive vehicle at a safe speed.

NOTE:

- If "DIAGNOSTIC TROUBLE CODE CONFIRMATION PROCEDURE" has been previously conducted, always turn ignition switch "OFF" and wait at least 5 seconds before conducting the next test.
- During the test, P0400 will not be stored in ECM even though "NG" is displayed on the CONSULT screen.

TESTING CONDITION:

Always perform the test at a temperature of -10°C (14°F) or higher.



- 1) Turn ignition switch "ON"
- 2) Check "COOLAN TEMP/S" in "DATA MONITOR" mode with CONSULT.
Confirm COOLAN TEMP/S value is within the range listed below.

COOLANT TEMP/S: Less than 40°C (104°F)

If the value is out of range, park the vehicle in a cool place and allow the engine temperature to stabilize. Do not attempt to lower the coolant temperature with a fan or means other than ambient air. Doing so may produce an inaccurate diagnostic result.

- 3) Turn ignition switch "ON" and select "EGR SYSTEM P0400" of "EGR SYSTEM" in "DTC WORK SUPPORT" mode with CONSULT.
- 4) Touch "START".
- 5) Start engine and let it idle. When the engine coolant temperature reaches 70°C (158°F), immediately go to the next step.
- 6) Accelerate vehicle to a speed of 40 km/h (25 MPH) once and then stop vehicle.
If "COMPLETED" with "OK" appears on CONSULT screen, go to step 9).
If "COMPLETED" does not appear on CONSULT screen, go to the following step.
- 7) Check the output voltage of "THRTL POS SEN" (at closed throttle position) and note it.
- 8) When the following conditions are met, "TESTING" will be displayed on the CONSULT screen. Maintain the conditions until "TESTING" changes to "COMPLETED". (It will take approximately 30 seconds or more.)

CMPS-RPM (REF): 2,000 - 3,000 rpm (A/T)
1,800 - 3,000 rpm (M/T)

Vehicle speed: 10 km/h (6 MPH) or more

B/FUEL SCHDL: 2.5 - 4 ms

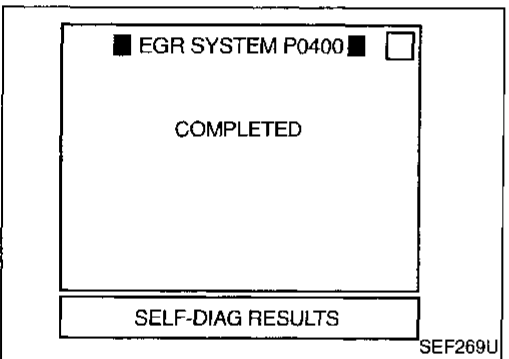
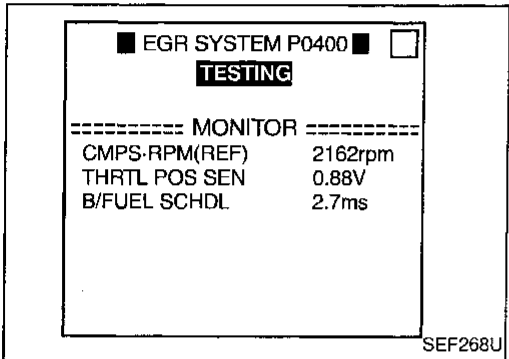
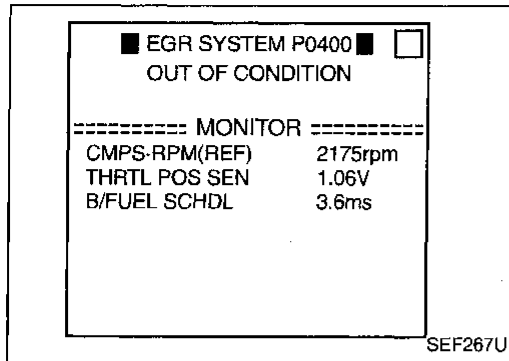
THRTL POS SEN: $(X + 0.38) - (X + 0.70)$ V

X = Voltage value measured at step 7)

Selector lever: Suitable position

If "TESTING" is not displayed after 5 minutes, retry from step 2).

- 9) Make sure that "OK" is displayed after touching "SELF-DIAG RESULTS". If "NG" is displayed, refer to "DIAGNOSTIC PROCEDURE", EC-248.



GI

MA

EM

LC

EC

FE

CL

MT

AT

PD

FA

RA

BR

ST

RS

BT

HA

EL

IDX

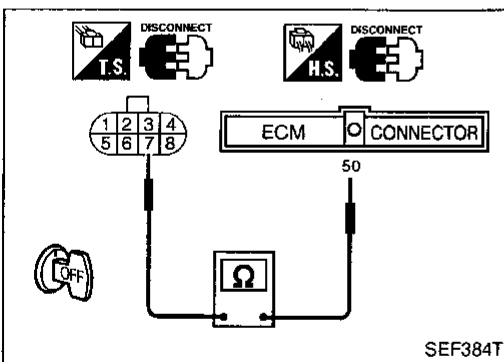
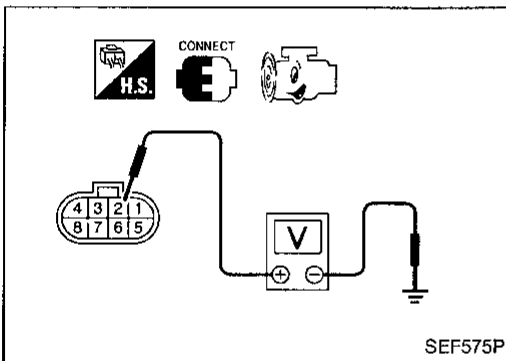
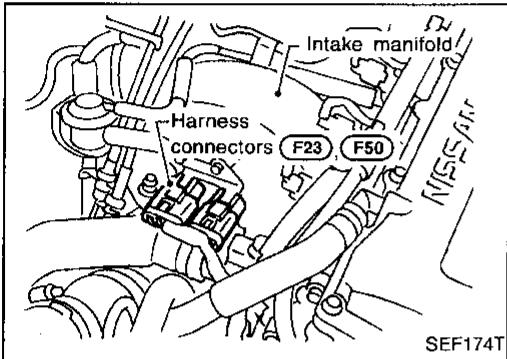
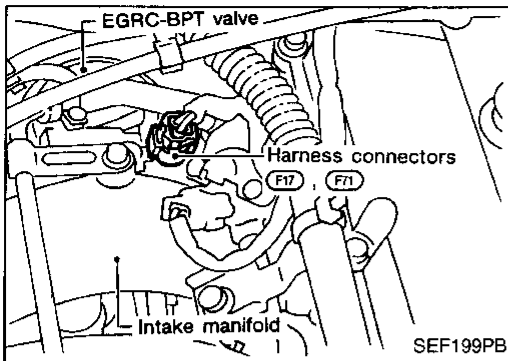
TROUBLE DIAGNOSIS FOR DTC P0400

EGR Function (Close) (Cont'd)

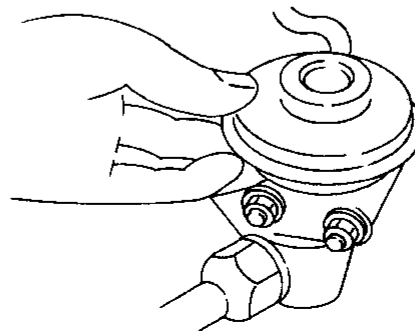
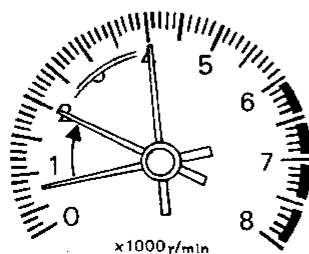
OVERALL FUNCTION CHECK

Use this procedure to check the overall EGR function. During this check, a 1st trip DTC might not be confirmed.

- 1) Lift up drive wheels.
- 2) Start engine and warm it up to normal operating temperature.
- 3) Check the EGR valve lifting when revving engine from 2,000 rpm up to 4,000 rpm in 1st shift position.
 - **EGR valve should lift up and down without sticking.**
 - Disconnect harness connectors (F17) and (F71). (The DTC for EGRC-solenoid valve will be displayed, however, ignore it.)
- If NG, go to **A** in DIAGNOSTIC PROCEDURE on EC-248.
- 4) Check voltage between harness connector (F23) terminal ② and ground at idle speed.
 - **Less than 4.5V should exist.**
- 5) Turn ignition switch "OFF".
- 6) Disconnect harness connectors (F23), (F50) and ECM harness connector.
- 7) Check harness continuity between harness connector (F23) terminal ⑦ and ECM terminal ⑤⑩.
 - **Continuity should exist.**
- 8) Perform "COMPONENT INSPECTION", "EGR temperature sensor". Refer to EC-250.



Overall function check



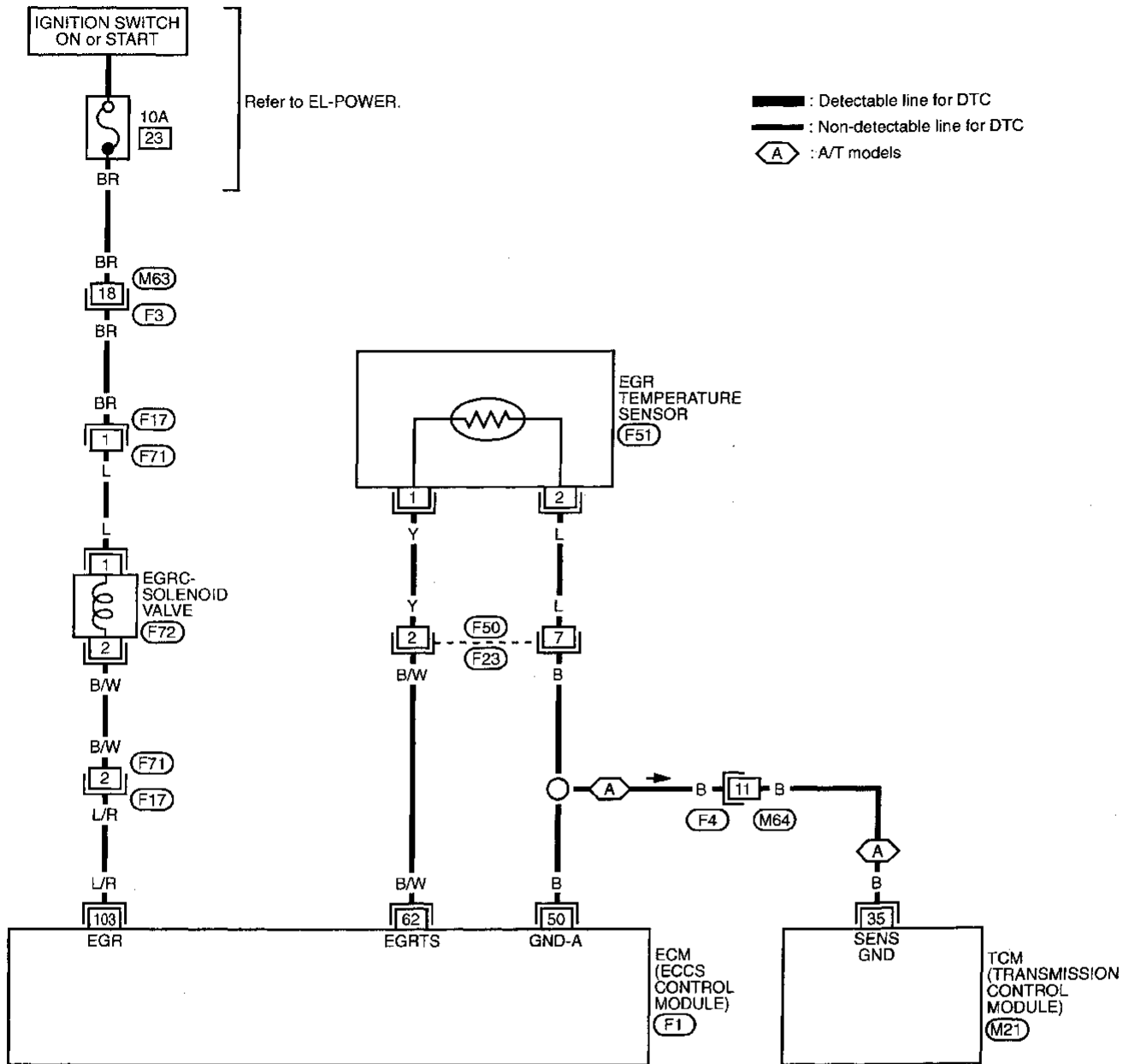
Check the EGR valve lifting when revving engine from 2,000 rpm up to 4,000 rpm.

SEF642Q

TROUBLE DIAGNOSIS FOR DTC P0400

EGR Function (Close) (Cont'd)

EC-EGRC1-01



GI

MA

EM

LC

EC

FE

CL

MT

AT

PD

FA

RA

BR

ST

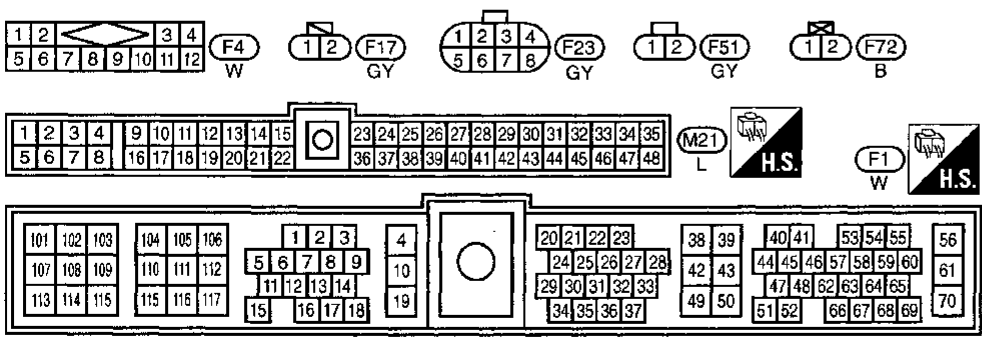
RS

BT

HA

EL

IDX

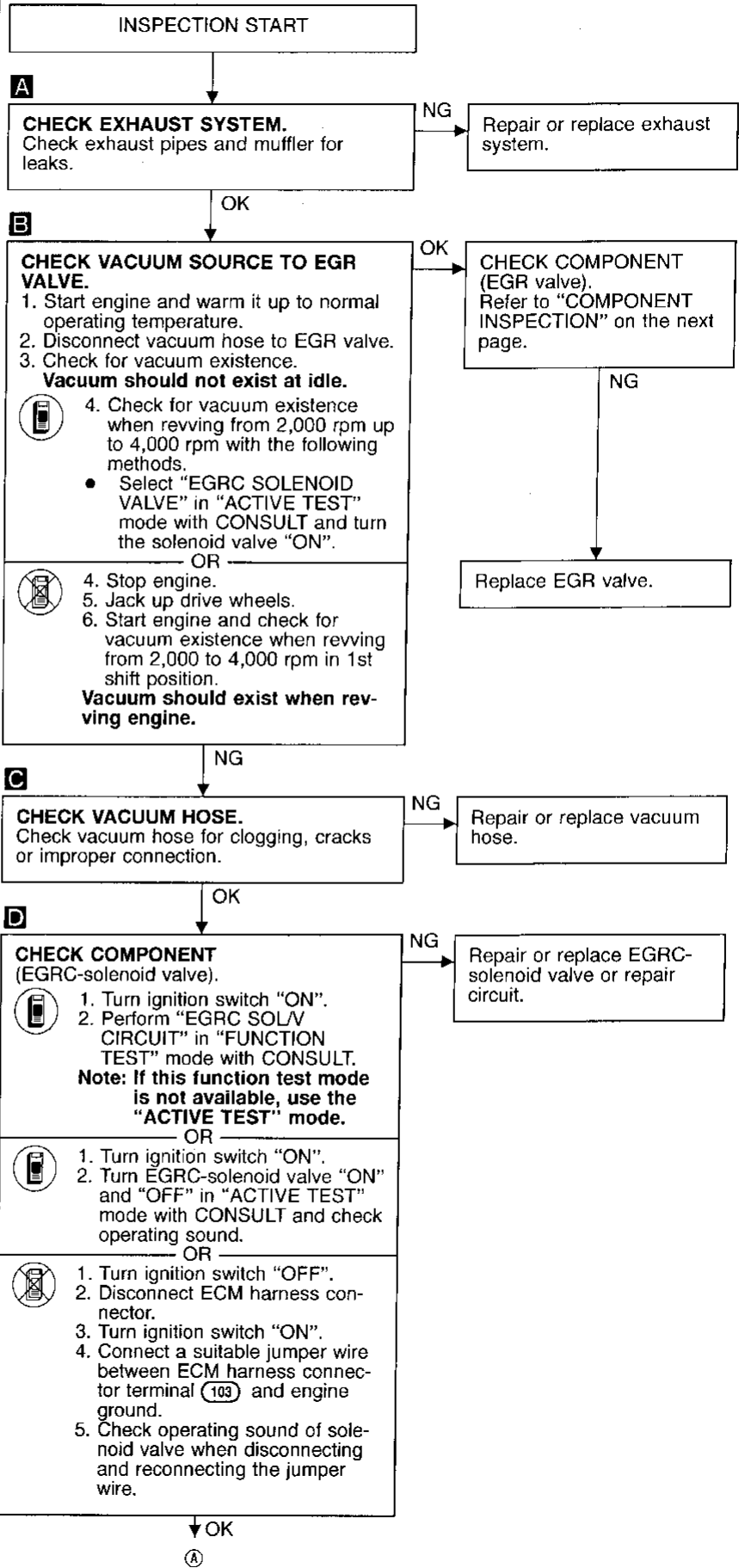
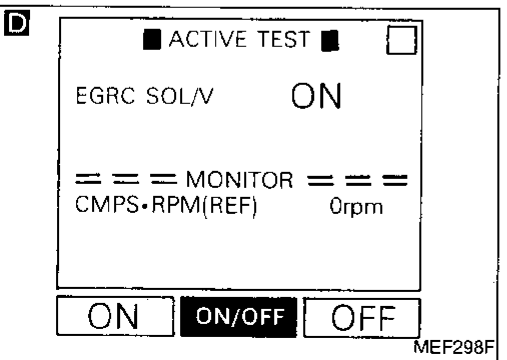
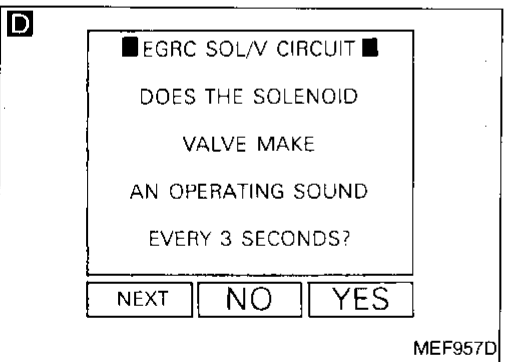
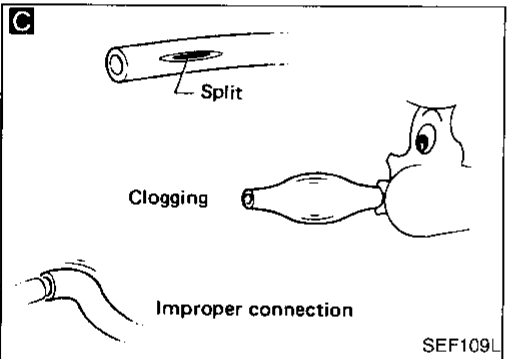
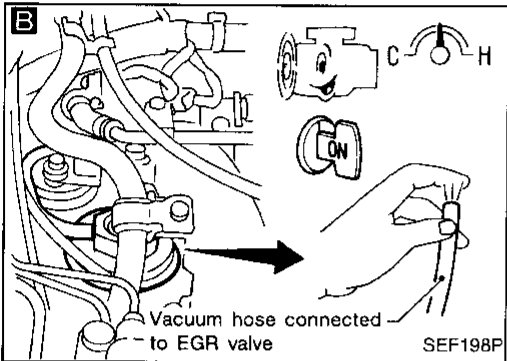
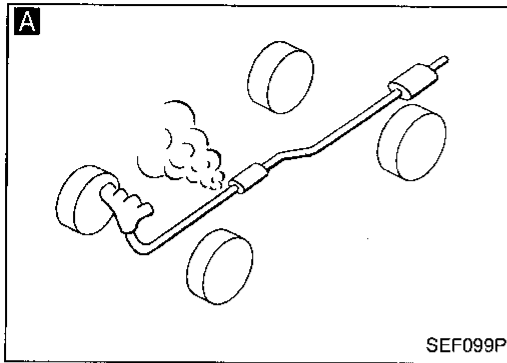


Refer to last page (Foldout page).
 M63 . F3

TROUBLE DIAGNOSIS FOR DTC P0400

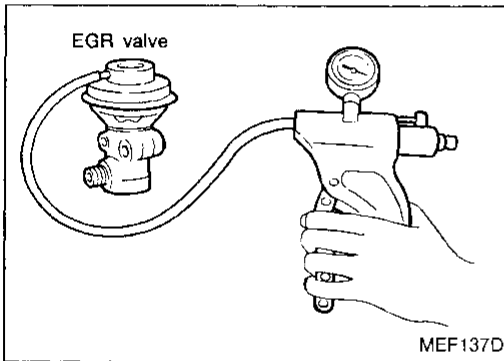
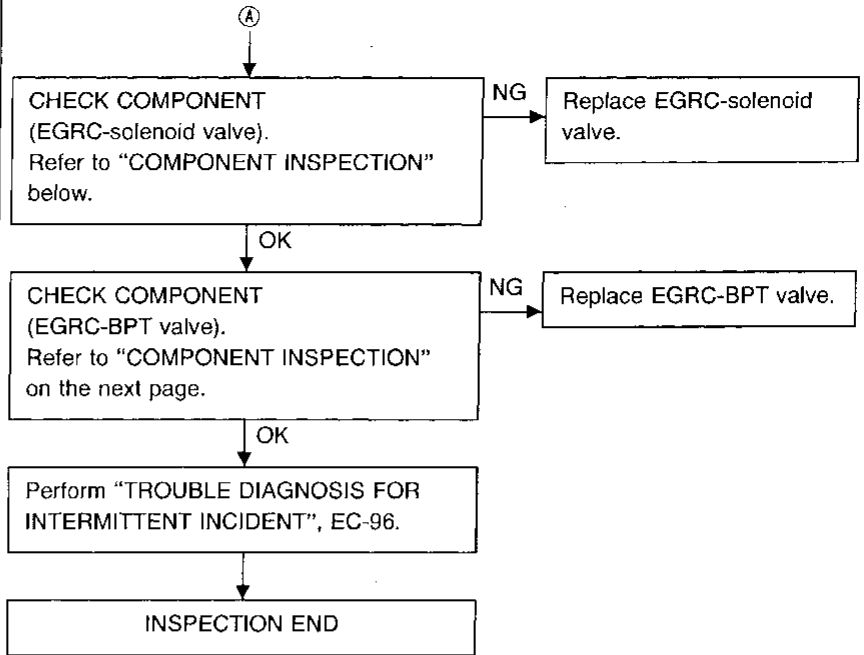
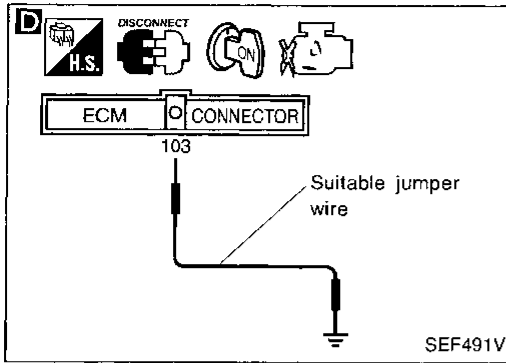
EGR Function (Close) (Cont'd)

DIAGNOSTIC PROCEDURE



TROUBLE DIAGNOSIS FOR DTC P0400

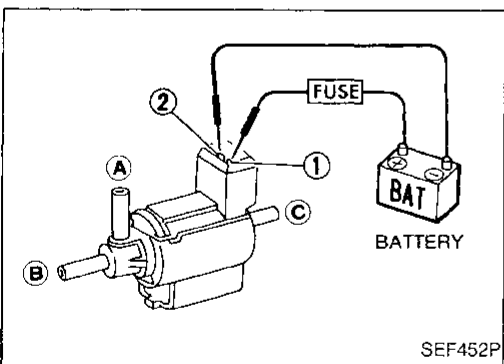
EGR Function (Close) (Cont'd)



COMPONENT INSPECTION

EGR valve

- Apply vacuum to EGR vacuum port with a hand vacuum pump. **EGR valve spring should lift.**
 - Check for sticking.
- If NG, repair or replace EGR valve.



EGRC-solenoid valve

Check solenoid valve, following the table as shown below:

Conditions	Air passage continuity between (A) and (B)	Air passage continuity between (A) and (C)
12V direct current supply between terminals (1) and (2)	Yes	No
No supply	No	Yes

If NG, replace EGRC-solenoid valve.

TROUBLE DIAGNOSIS FOR DTC P0400

EGR Function (Close) (Cont'd)

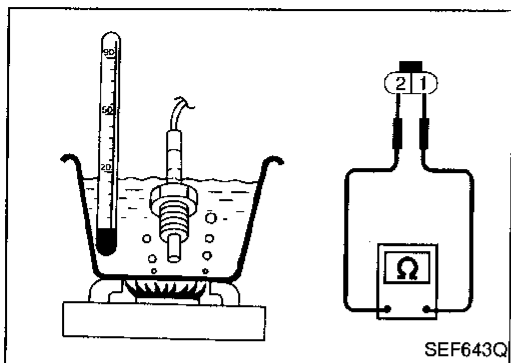
EGR temperature sensor

Check resistance change and resistance value.

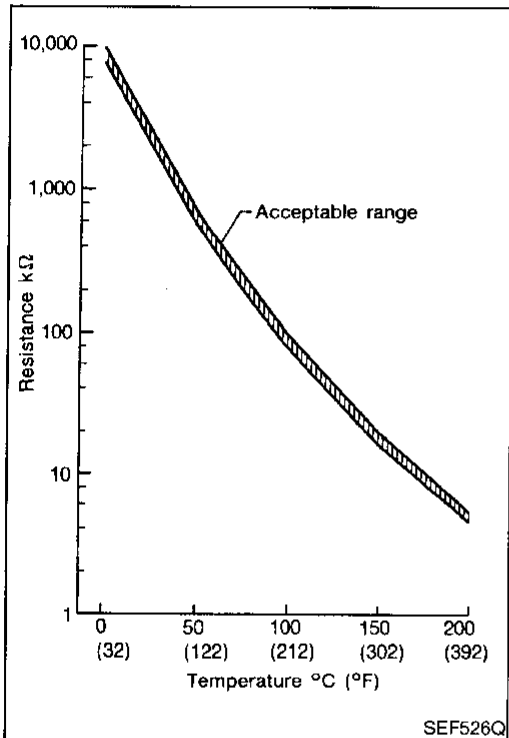
<Reference data>

EGR temperature °C (°F)	Voltage (V)	Resistance (MΩ)
0 (32)	4.81	7.9 - 9.7
50 (122)	2.82	0.57 - 0.70
100 (212)	0.8	0.08 - 0.10

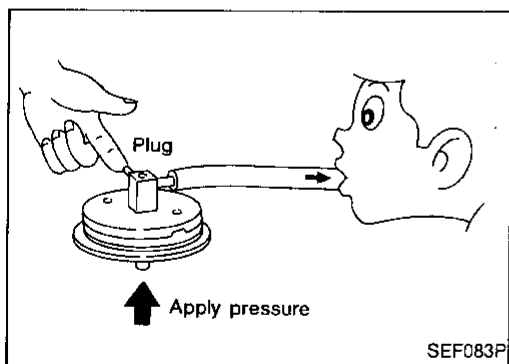
If NG, replace EGR temperature sensor.



SEF643Q



SEF526Q

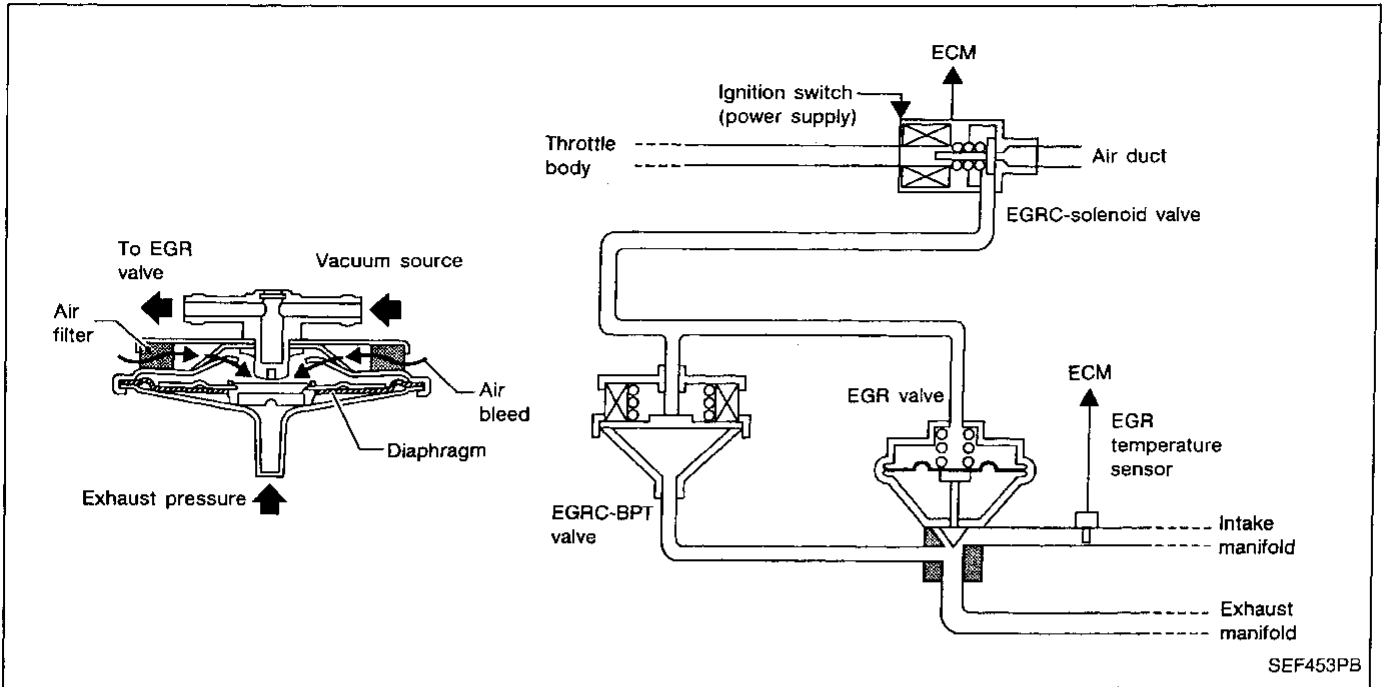


SEF083P

EGRC-BPT valve

1. Plug one of two ports of EGRC-BPT valve.
2. Vacuum from the other port and check for leakage while applying a pressure above 0.981 kPa (100 mmH₂O, 3.94 inH₂O) from under EGRC-BPT valve.
3. If a leakage is noted, replace the valve.

EGRC-BPT Valve Function



SYSTEM DESCRIPTION

The EGRC-BPT valve monitors exhaust pressure to activate the diaphragm, controlling throttle body vacuum applied to the EGR valve. In other words, recirculated exhaust gas is controlled in response to positioning of the EGR valve or to engine operation.

ON BOARD DIAGNOSIS LOGIC

If too much EGR flow exists due to an EGRC-BPT valve malfunction, off idle engine roughness will increase. If the roughness is large, then the vacuum to the EGR valve is interrupted through the EGRC-solenoid valve. If the engine roughness is reduced at that time, the EGRC-BPT valve malfunction is indicated.

Diagnostic Trouble Code No.	Malfunction is detected when ...	Check Items (Possible Cause)
P0402 0306	<ul style="list-style-type: none"> The EGRC-BPT valve does not operate properly. 	<ul style="list-style-type: none"> EGRC-BPT valve EGR valve Loose or disconnected rubber tube Blocked rubber tube Camshaft position sensor Blocked exhaust system Orifice Mass air flow sensor EGRC-solenoid valve

GI
MA
EM
LC
EC
FE
CL
MT
AT
PD
FA
RA
BR
ST
RS
BT
HA
EL
IDX

TROUBLE DIAGNOSIS FOR DTC P0402

EGRC-BPT Valve Function (Cont'd)

DIAGNOSTIC TROUBLE CODE CONFIRMATION PROCEDURE

CAUTION:

Always drive vehicle at a safe speed.

NOTE:

If "DIAGNOSTIC TROUBLE CODE CONFIRMATION PROCEDURE" has been previously conducted, always turn ignition switch "OFF" and wait at least 5 seconds before conducting the next test.

TESTING CONDITION:

Always perform the test at a temperature of -10°C (14°F) or higher.



- 1) Start engine and warm it up to normal operating temperature.
- 2) Stop engine and wait at least 5 seconds.
- 3) Turn ignition switch "ON" and select "EGRC-BPT/V P0402" of "EGR SYSTEM" in "DTC WORK SUPPORT" mode with CONSULT.
- 4) Start engine and let it idle.
- 5) Touch "START".
- 6) Check the output voltage of "THRTL POS SEN" (at closed throttle position) and note it.
- 7) When the following conditions are met, "TESTING" will be displayed on the CONSULT screen and the bar chart may increase. Maintain the conditions many times until "COMPLETED" appears.

Selector lever: Suitable position

CMPS-RPM (REF): 2,000 - 2,200 rpm

Vehicle speed: 30 - 100 km/h (19 - 62 MPH)

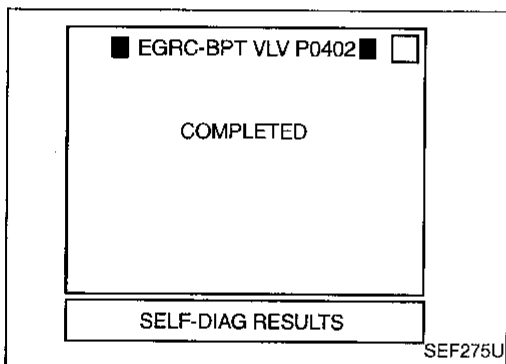
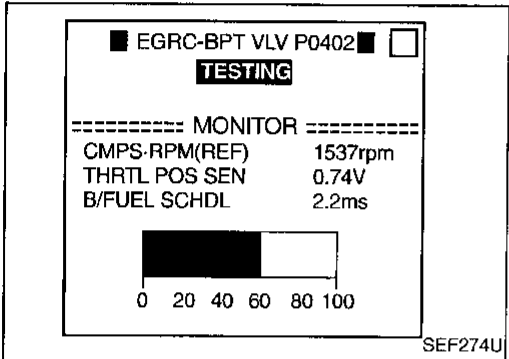
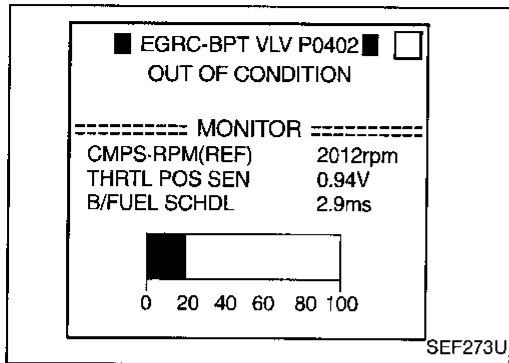
B/FUEL SCHDL: 1.5 - 2 ms

THRTL POS SEN: $(X + 0.12) - (X + 0.43)$ V (A/T)

$(X + 0.17) - (X + 0.37)$ V (M/T)

X = Voltage value measured at step 6)

- The bar chart on CONSULT screen indicates the status of this test. However, the test may be finished before the bar chart becomes full scale.
 - If the bar chart indication does not continue to progress, completely release accelerator pedal once and try to meet the conditions again.
 - If "TESTING" does not appear on CONSULT screen, retry from step 2).
- 8) If "OK" is displayed, carry out "OVERALL FUNCTION CHECK" on next page. If "NG" is displayed, refer to "DIAGNOSTIC PROCEDURE", EC-254.



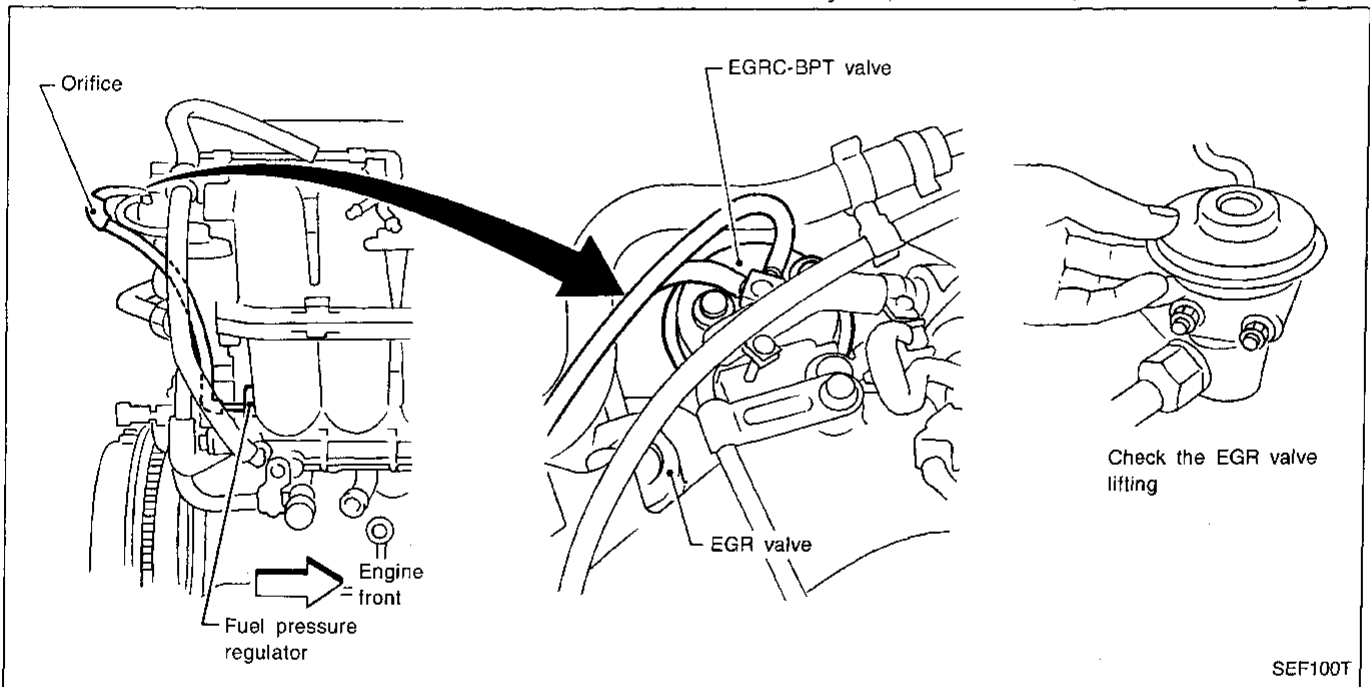
TROUBLE DIAGNOSIS FOR DTC P0402

EGRC-BPT Valve Function (Cont'd)

OVERALL FUNCTION CHECK

Use this procedure to check the overall function of the EGRC-BPT valve. During this check, a 1st trip DTC might not be confirmed.

- 1) Disconnect the rubber tube to the fuel pressure regulator at the intake manifold. GI
- 2) Disconnect the rubber tube to the EGRC-solenoid valve at the EGRC-BPT valve. MA
Connect the intake manifold collector and the EGRC-BPT valve directly with a rubber tube that has 0.5 mm (0.020 in) dia. orifice. (The intake manifold vacuum will be directly applied to the EGRC-BPT valve.) EM
- 3) Start engine. LC
- 4) Check for the EGR valve lifting with engine at idle speed under no load. EC
EGR valve should remain closed or lift up slightly.
- 5) Check the EGR valve lifting when revving from 1,500 rpm up to 3,000 rpm under no load. FE
EGR valve should lift up, and go down without sticking when the engine is returned to idle.
- 6) Check rubber tube between EGRC-solenoid valve and throttle body for misconnection, cracks or blockages. CL



GI

MA

EM

LC

EC

FE

CL

MT

AT

PD

FA

RA

BR

ST

RS

BT

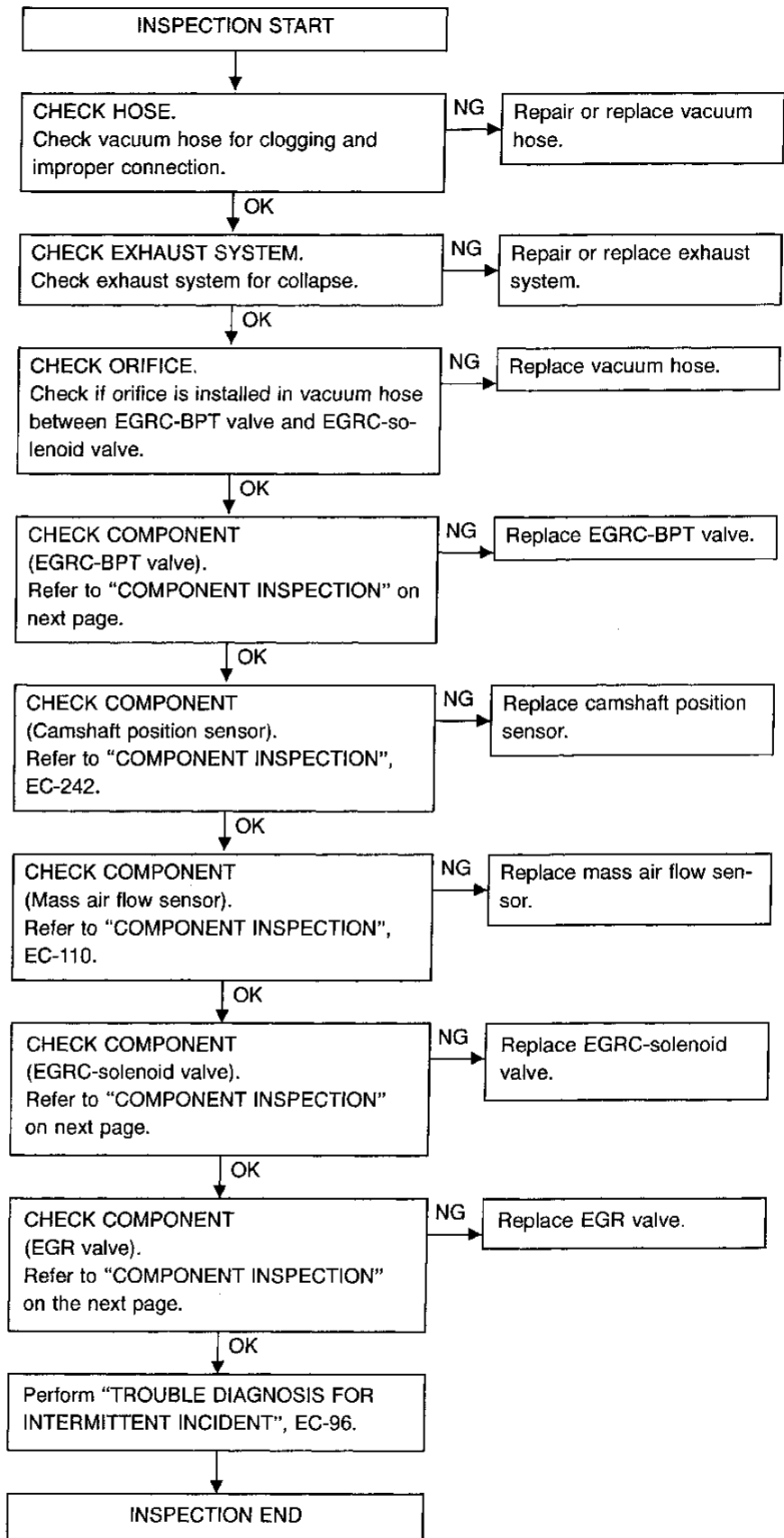
HA

EL

IDX

TROUBLE DIAGNOSIS FOR DTC P0402

EGRC-BPT Valve Function (Cont'd) DIAGNOSTIC PROCEDURE



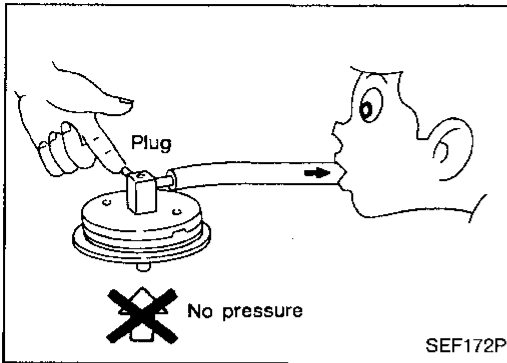
TROUBLE DIAGNOSIS FOR DTC P0402

EGRC-BPT Valve Function (Cont'd)

COMPONENT INSPECTION

EGRC-BPT valve

1. Plug one of two ports of EGRC-BPT valve.
2. Vacuum from the other port and check leakage without applying any pressure from under EGR-BPT valve.
Leakage should exist.



GI

MA

EM

LC

EC

FE

CL

MT

AT

PD

FA

RA

BR

ST

RS

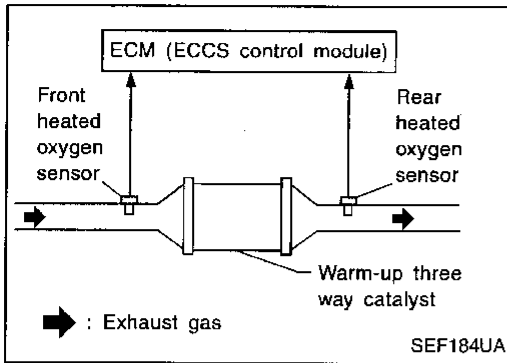
BT

HA

EL

IDX

TROUBLE DIAGNOSIS FOR DTC P0420



Three Way Catalyst Function

ON BOARD DIAGNOSIS LOGIC

The ECM monitors the switching frequency ratio of front and rear heated oxygen sensors.

Warm-up three way catalyst with high oxygen storage capacity will indicate a low switching frequency of rear heated oxygen sensor. As oxygen storage capacity decreases, the rear heated oxygen sensor switching frequency will increase.

When the frequency ratio of front and rear heated oxygen sensors approaches a specified limit value, the warm-up three way catalyst malfunction is diagnosed.

Diagnostic Trouble Code No.	Malfunction is detected when ...	Check Items (Possible Cause)
P0420 0702	<ul style="list-style-type: none"> • Warm-up three way catalyst does not operate properly. • Warm-up three way catalyst does not have enough oxygen storage capacity. 	<ul style="list-style-type: none"> • Warm-up three way catalyst • Exhaust tube • Intake air leaks • Injectors • Injector leaks • Spark plug • Improper ignition timing

☆ MONITOR ☆ NO FAIL

CMPS•RPM (REF)	2037rpm
FR O2 SEN	0.68V
RR O2 SEN	0.04V
FR O2 MNTR	RICH
RR O2 MNTR	LEAN
VHCL SPEED SE	0km/h

RECORD

SEF321U

■ SRT STATUS ■

CATALYST	CMPLT
EVAP SYSTEM	INCMP
O2 SENSOR	CMPLT
O2 SEN HEATER	CMPLT
EGR SYSTEM	INCMP

PRINT

SEF215U

DIAGNOSTIC TROUBLE CODE CONFIRMATION PROCEDURE

CAUTION:

Always drive vehicle at a safe speed.

NOTE:

If "DIAGNOSTIC TROUBLE CODE CONFIRMATION PROCEDURE" has been previously conducted, always turn ignition switch "OFF" and wait at least 5 seconds before conducting the next test.

- 1) Start engine and warm it up to normal operating temperature.
- 2) Set "MANU TRIG" and "HI SPEED", then select "FR O2 SENSOR", "RR O2 SENSOR", "FR O2 MNTR", "RR O2 MNTR" in "DATA MONITOR" mode with CONSULT.
- 3) Touch "RECORD" on CONSULT screen with engine speed held at 2,000 rpm constantly under no load.
- 4) Make sure that the switching frequency between "RICH" and "LEAN" of "RR O2 MNTR" is much less than that of "FR O2 MNTR" as shown below.

Switching frequency ratio =

Rear heated oxygen sensor switching frequency

Front heated oxygen sensor switching frequency

This ratio should be less than 0.75.

If the ratio is greater than above, the warm-up three way catalyst is not operating properly.

If the "FR O2 MNTR" does not indicate "RICH" and "LEAN" periodically more than 5 times within 10 seconds at step 3), perform TROUBLE DIAGNOSES FOR DTC P0133 first.

If the result is NG, go to "DIAGNOSTIC PROCEDURE", EC-258.

If the result is OK, go to following step.

TROUBLE DIAGNOSIS FOR DTC P0420

Three Way Catalyst Function (Cont'd)

- 5) Select "AUTO TRIG" in "DATA MONITOR" mode with CONSULT.
- 6) Drive vehicle at a speed of approximately 84 to 96 km/h (52 to 60 MPH) with the following for at least 10 consecutive minutes.
(Drive the vehicle in an area where vehicle speed and accelerator pressure can be held steady and constant.)
M/T: 5th position
A/T: D position ("OD" ON)
If the result is NG, go to "DIAGNOSTIC PROCEDURE", EC-258.
- 7) Select "SRT STATUS" in "DTC CONFIRMATION" mode with CONSULT.
- 8) Verify that "CATALYST" is "CMPLT".
If not "CMPLT", repeat the test from step 5).

GI

MA

EM

LC

EC

FE

CL

MT

AT

PD

FA

RA

BR

ST

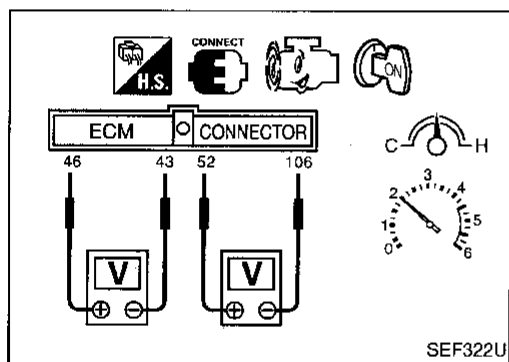
RS

BT

HA

EL

IDX



OR OVERALL FUNCTION CHECK

Use this procedure to check the overall function of the three way catalyst.

During this check, a 1st trip DTC might not be confirmed.

- 1) Start engine and warm it up to normal operating temperature.
- 2) Set voltmeter probes between ECM terminals ④⑥ (front heated oxygen sensor signal) and ④③ (engine ground), and ECM terminals ⑤② (rear heated oxygen sensor signal) and ①①① (engine ground).
- 3) Keep engine speed at 2,000 rpm constant under no load.
- 4) Make sure that the voltage switching frequency (high & low) between ECM terminals ⑤② and ①①① is much less than that of ECM terminals ④⑥ and ④③.

Switching frequency ratio =

Rear heated oxygen sensor voltage switching frequency

Front heated oxygen sensor voltage switching frequency

This ratio should be less than 0.75.

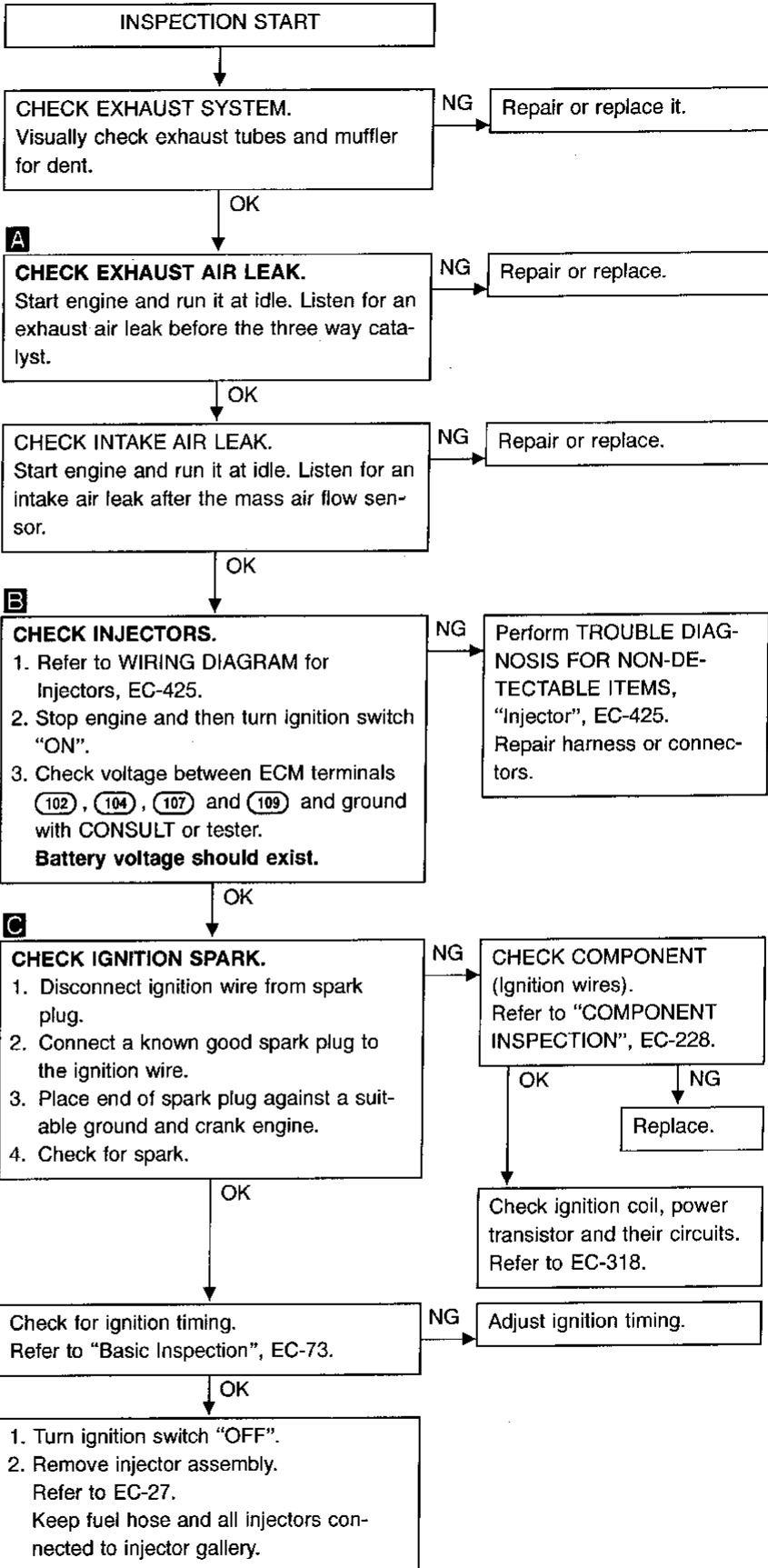
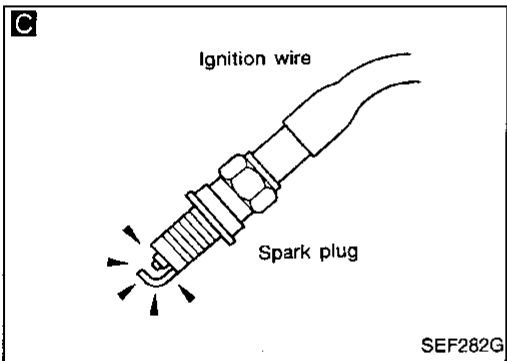
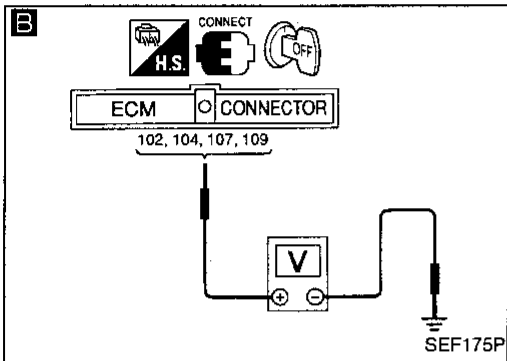
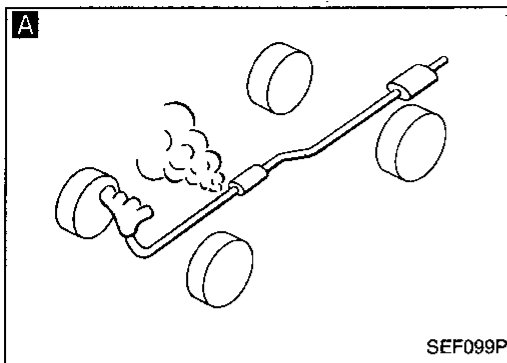
If the ratio is greater than above, it means three way catalyst does not operate properly.

Note: If the voltage at terminal ④⑥ does not switch periodically more than 5 times within 10 seconds at step 3, perform TROUBLE DIAGNOSIS FOR DTC P0133 first. (See EC-164.)

TROUBLE DIAGNOSIS FOR DTC P0420

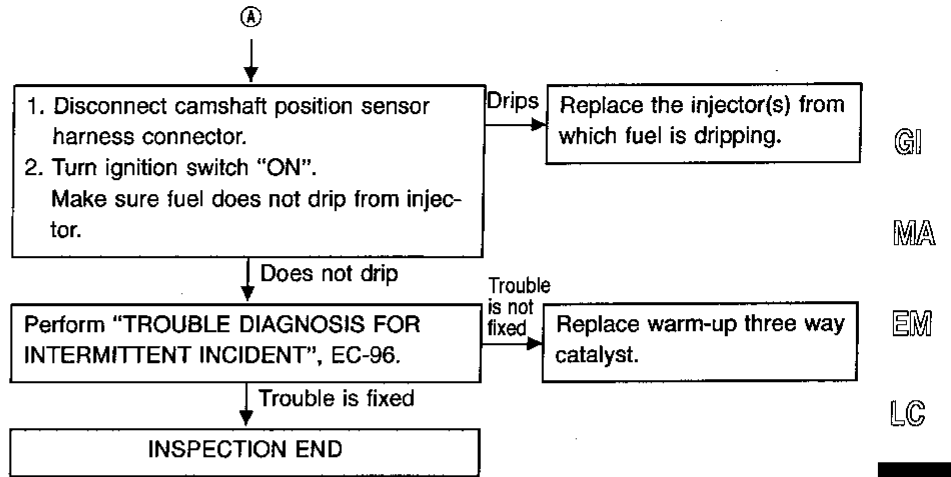
Three Way Catalyst Function (Cont'd)

DIAGNOSTIC PROCEDURE



TROUBLE DIAGNOSIS FOR DTC P0420

Three Way Catalyst Function (Cont'd)



GI

MA

EM

LC

EC

FE

CL

MT

AT

PD

FA

RA

BR

ST

RS

BT

HA

EL

IDX

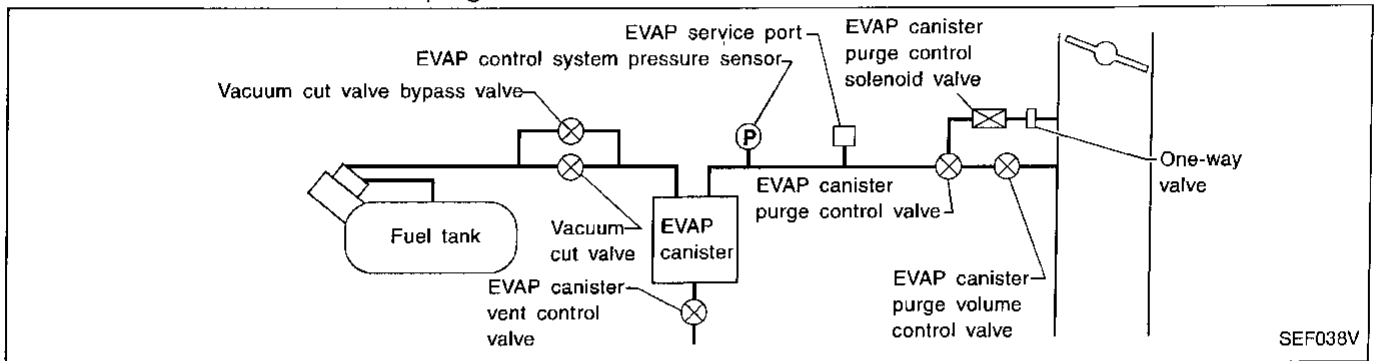
TROUBLE DIAGNOSIS FOR DTC P0440

Evaporative Emission (EVAP) Control System (Small Leak) (Negative Pressure)

Note: If both DTC P0440 and P1448 are displayed, perform TROUBLE DIAGNOSIS FOR DTC P1448 first. (See EC-365.)

ON BOARD DIAGNOSIS LOGIC

This diagnosis detects leaks in the EVAP purge line using of engine intake manifold vacuum. If pressure does not increase, the ECM will check for leaks in the line between the fuel tank and EVAP canister purge control valve, under the following "Vacuum test" conditions. The vacuum cut valve bypass valve is opened to clear the line between the fuel tank and the EVAP canister purge control valve. The EVAP canister vent control valve will then be closed to shut the EVAP purge line off. The EVAP canister purge volume control valve and EVAP canister purge control valve are opened to depressurize the EVAP purge line using intake manifold vacuum. After this occurs, the EVAP canister purge volume control valve and EVAP canister purge control valve will be closed.



Diagnostic Trouble Code No.	Malfunction is detected when	Check Items (Possible Cause)
P0440 0705	<ul style="list-style-type: none"> ● EVAP control system has a leak. ● EVAP control system does not operate properly. 	<ul style="list-style-type: none"> ● Incorrect fuel tank vacuum relief valve ● Incorrect fuel filler cap used ● Fuel filler cap remains open or fails to close. ● Foreign matter caught in fuel filler cap. ● Leak is in line between intake manifold and EVAP canister purge control valve. ● Foreign matter caught in EVAP canister vent control valve. ● EVAP canister or fuel tank leaks ● EVAP purge line (pipe and rubber tube) leaks ● EVAP purge line rubber tube bent. ● Blocked or bent rubber tube to EVAP control system pressure sensor ● Loose or disconnected rubber tube ● EVAP canister vent control valve and the circuit ● EVAP canister purge control valve ● EVAP canister purge volume control valve ● EVAP canister purge control solenoid valve and the circuit ● Absolute pressure sensor ● Tank fuel temperature sensor ● MAP/BARO switch solenoid valve and the circuit ● Blocked or bent rubber tube to MAP/BARO switch solenoid valve ● O-ring of EVAP canister vent control valve is missing or damaged. ● Water separator ● EVAP canister is saturated with water. ● EVAP control system pressure sensor

CAUTION:

- Use only a genuine fuel filler cap as a replacement. If an incorrect fuel filler cap is used, the MIL may come on.
- If the fuel filler cap is not tightened properly, the MIL may come on.
- Use only a genuine rubber tube as a replacement.

TROUBLE DIAGNOSIS FOR DTC P0440

Evaporative Emission (EVAP) Control System (Small Leak) (Negative Pressure) (Cont'd)

DIAGNOSTIC TROUBLE CODE CONFIRMATION PROCEDURE

NOTE:

- If both DTC P0440 and P1448 are displayed, perform **TROUBLE DIAGNOSIS FOR DTC P1448** first. (See EC-378.)
- If "DIAGNOSTIC TROUBLE CODE CONFIRMATION PROCEDURE" has been previously conducted, always turn ignition switch "OFF" and wait at least 5 seconds before conducting the next test.

TESTING CONDITION:

- Perform "DTC WORK SUPPORT" when the fuel level is less than 3/4 full and vehicle is placed on flat level surface.
- Always perform test at a temperature of 5 to 30°C (41 to 86°F).
- It is better that the fuel level is low.



- 1) Turn ignition switch "ON".
- 2) Turn ignition switch "OFF" and wait at least 5 seconds.
- 3) Turn ignition switch "ON" and select "DATA MONITOR" mode with CONSULT.
- 4) Make sure that the following conditions are met.
COOLAN TEMP/S: 0 - 70°C (32 - 158°F)
INT/A TEMP SE: 5 - 60°C (41 - 140°F)
- 5) Select "EVAP SML LEAK P0440" of "EVAPORATIVE SYSTEM" in "DTC WORK SUPPORT" mode with CONSULT.
 Follow the instruction displayed.

NOTE:

- If the CONSULT screen shown at left is displayed, stop the engine and stabilize the vehicle temperature at 25°C (77°F) or cooler. After "TANK F/TMP SE" becomes less than 30°C (86°F), retest. (Use a fan to reduce the stabilization time.) This test for the engine idle position will take approximately 5 minutes.
- 6) Make sure that "OK" is displayed. If "NG" is displayed, refer to "DIAGNOSTIC PROCEDURE", EC-263.

NOTE:

- Make sure that EVAP hoses are connected to EVAP canister purge control valve properly.

OR

NOTE:

Be sure to read the explanation of "Driving pattern" on EC-38 before driving vehicle.



- 1) Start engine.
 - 2) Drive vehicle according to "Driving pattern", EC-38.
 - 3) Stop vehicle.
 - 4) Select "MODE 1" with GST.
 - If SRT of EVAP system is not set yet, go to the following step.
 - If SRT of EVAP system is set, the result will be OK.
 - 5) Turn ignition switch "OFF" and wait at least 5 seconds.
 - 6) Start engine.
- It is not necessary to cool engine down before driving.**
- 7) Drive vehicle again according to the "Driving pattern", EC-38.
 - 8) Stop vehicle.

■ EVAP SML LEAK P0440 ■

1)PERFORM TEST AT A LOCATION OF 5-30C (41-86F)
 2)OPEN ENGINE HOOD.
 3)START ENGINE WITH VEHICLE STOPPED. IF ENG IS ON, STOP FOR 5 SEC. THEN RESTART.
 4)TOUCH START.

EXIT
START

SEF296U

■ EVAP SML LEAK P0440 ■

***** OK *****

END
PRINT

SEF297U

■ EVAP SML LEAK P0440 ■

CAN NOT BE DIAGNOSED

FUEL TEMPERATURE IS TOO HIGH. RETEST AFTER FUEL HAS COOLED.

EXIT
PRINT

SEF669U

GI

MA

EM

LC

EC

FE

CL

MT

AT

PD

FA

RA

BR

ST

RS

BT

HA

EL

IDX

TROUBLE DIAGNOSIS FOR DTC P0440

Evaporative Emission (EVAP) Control System (Small Leak) (Negative Pressure) (Cont'd)

- 9) Select "MODE 3" with GST.
 - If P1447 is displayed on the screen, go to "TROUBLE DIAGNOSIS FOR DTC P1447", EC-370.
 - If P0440 is displayed on the screen, go to "DIAGNOSTIC PROCEDURE", EC-263.
 - If P1440 is displayed on the screen, go to "DIAGNOSTIC PROCEDURE" in "TROUBLE DIAGNOSIS FOR DTC P1440", EC-350.
 - If P0440, P1440 and P1447 are not displayed on the screen, go to the following step.
- 10) Select "MODE 1" with GST.
 - If SRT of EVAP system is set, the result will be OK.
 - If SRT of EVAP system is not set, go to step 6).

OR

NOTE:

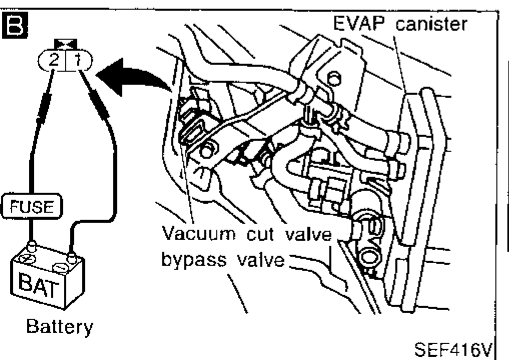
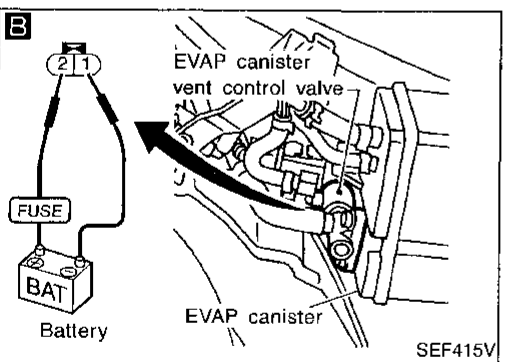
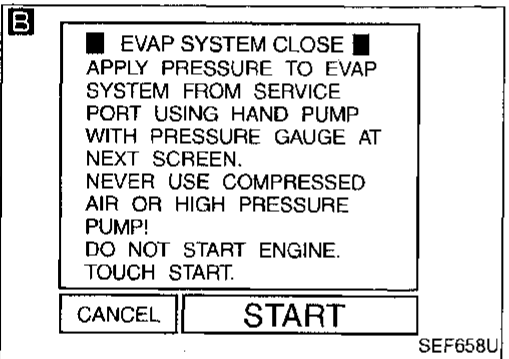
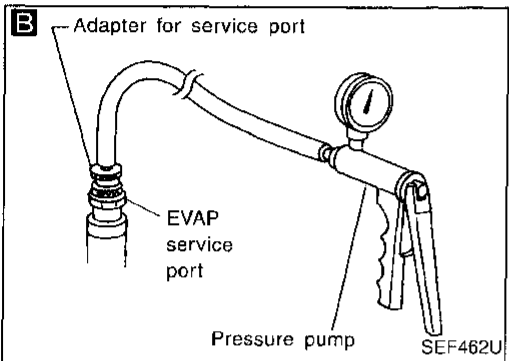
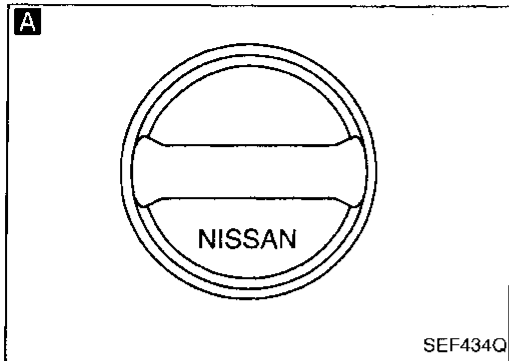
- Be sure to read the explanation of "Driving pattern" on EC-38 before driving vehicle.
- It is better that the fuel level is low.



- 1) Start engine.
- 2) Drive vehicle according to "Driving pattern", EC-38.
- 3) Stop vehicle.
- 4) Turn ignition switch "OFF" and wait at least 5 seconds.
- 5) Perform the step 1) to 4) again.
- 6) Turn ignition switch "ON" and perform "Diagnostic Test Mode (Self-diagnostic results)" with ECM.

TROUBLE DIAGNOSIS FOR DTC P0440

Evaporative Emission (EVAP) Control System (Small Leak) (Negative Pressure) (Cont'd) DIAGNOSTIC PROCEDURE



INSPECTION START

A

CHECK FUEL FILLER CAP.

1. Check for genuine fuel filler cap design.
2. Check for air releasing sound while opening the fuel filler cap. If the air releasing sound is heard, go to **B**.

If the air releasing sound is not heard, check the following.

Was the cap tightened properly?

If Yes, check fuel filler cap vacuum relief valve. Refer to "EVAPORATIVE EMISSION SYSTEM", EC-20.

If No, open fuel filler cap, then clean cap and filler neck thread using air blower. Retighten until ratcheting sound is heard.

NG

If genuine filler cap is not used, replace with genuine fuel filler cap.

OK

B

CHECK FOR EVAP LEAK.

- Never use compressed air or high pressure pump.
- Improper installation of service port may cause leaking.
- Do not exceed 4.12 kPa (0.042 kg/cm², 0.6 psi) of pressure in the system.

To locate EVAP leak portion, proceed with the following steps.

1. Install the EVAP service port adapter and the pressure pump securely.
2. Turn ignition switch "ON". Select "EVAP SYSTEM CLOSE" of "WORK SUPPORT" mode with CONSULT.
3. Touch "START" and apply vacuum into the EVAP line until the pressure indicator reaches the middle of bar graph.
4. Remove adapter and pressure pump.
5. Using EVAP leak detector, locate the leak portion. For the leak detector, refer to instruction manual for more details. Refer to "EVAPORATIVE EMISSION SYSTEM", EC-20.

NG

Repair or replace.

OR

2. Turn ignition switch "OFF".
3. Apply 12 volts DC to EVAP canister vent control valve. The valve will close. (Continue to apply 12 volts until the end of test.)
4. Apply 12 volts DC to vacuum cut valve bypass valve. The valve will open. (Continue to apply 12 volts until the end of test.)
5. Pressurize the EVAP line using pressure pump with 1.3 to 2.7 kPa (10 to 20 mmHg, 0.39 to 0.79 inHg), then remove pump and service port adapter.
6. Locate the leak using a leak detector. Refer to the instruction manual for more details about the leak detector. Refer to "Evaporative Emission Line Drawing", EC-23.

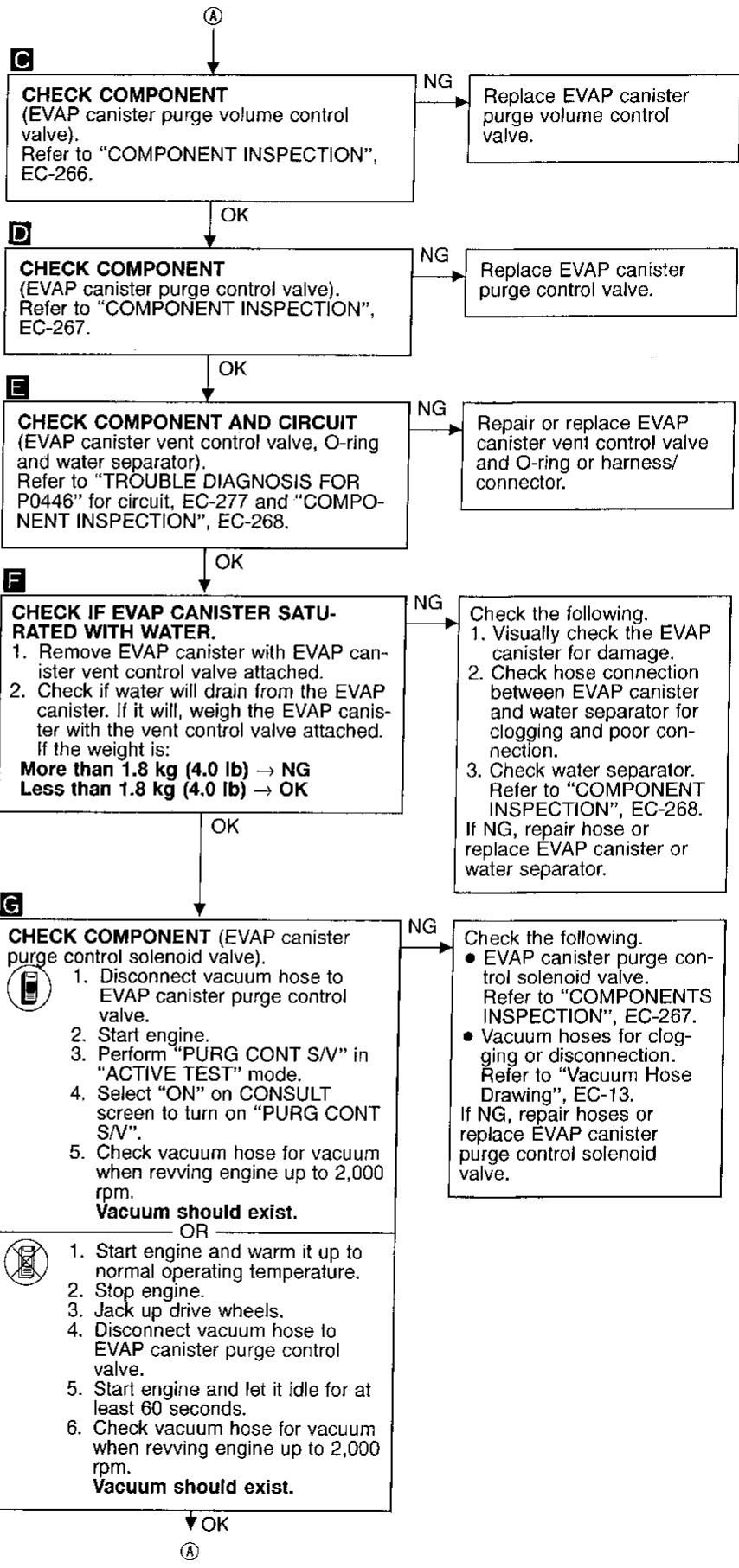
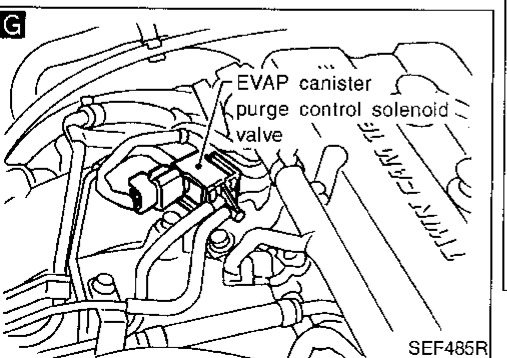
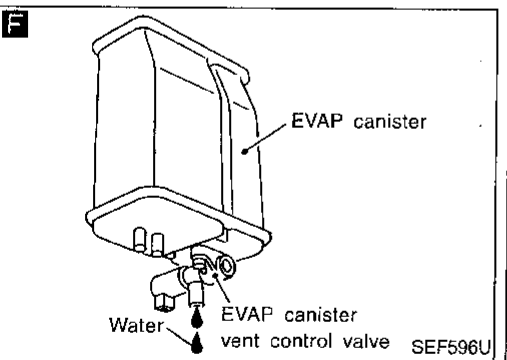
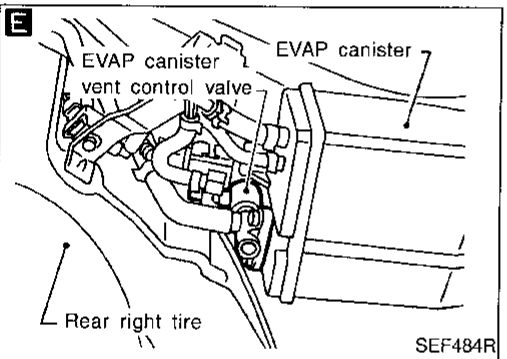
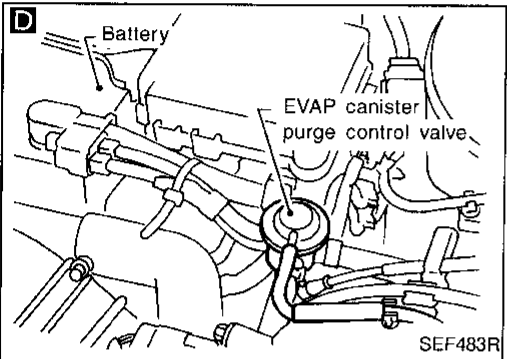
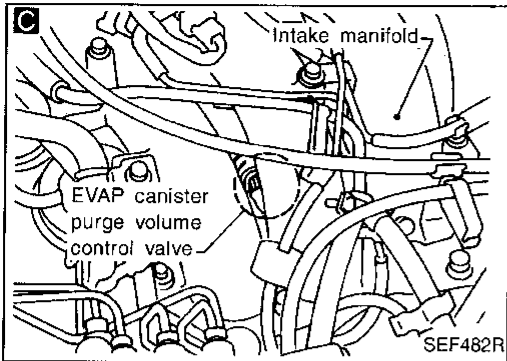
OK

A

GI
 MA
 EM
 LC
EC
 FE
 CL
 MT
 AT
 PD
 FA
 RA
 BR
 ST
 RS
 BT
 HA
 EL
 IDX

TROUBLE DIAGNOSIS FOR DTC P0440

Evaporative Emission (EVAP) Control System (Small Leak) (Negative Pressure) (Cont'd)



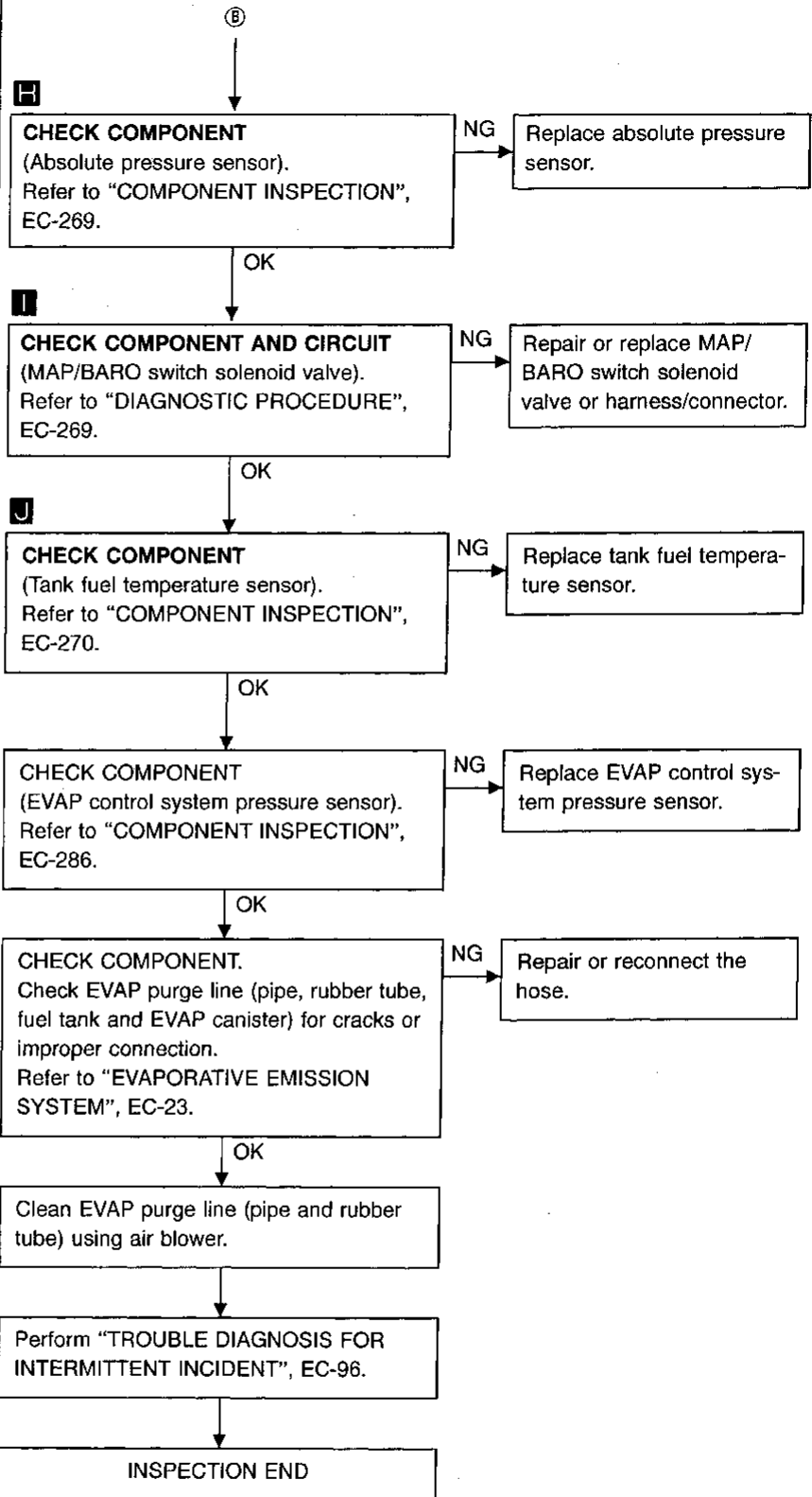
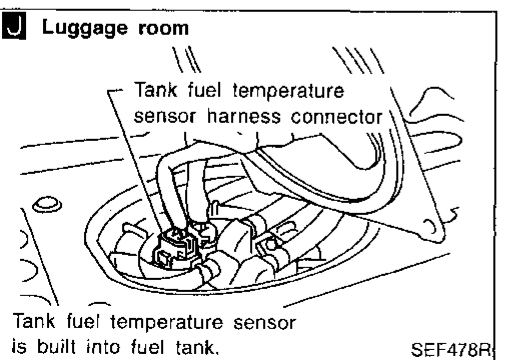
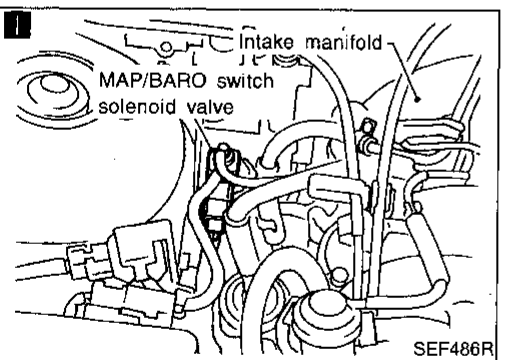
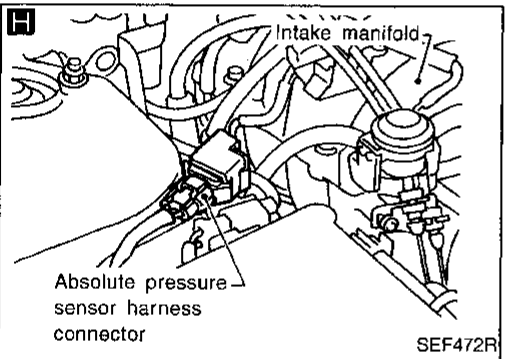
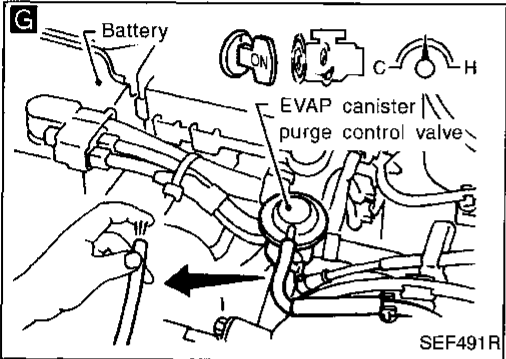
TROUBLE DIAGNOSIS FOR DTC P0440

Evaporative Emission (EVAP) Control System (Small Leak) (Negative Pressure) (Cont'd)

G

■ ACTIVE TEST ■ □		
PURG CONT S/V (PURG CONT VAC)	<input type="radio"/> N <input type="radio"/> VC ON	
----- MONITOR -----		
PURG CONT S/V	ON	
CMPS•RPM (REF)	2000rpm	
CLSD THL/P SW	OFF	
ON	ON/OFF	OFF

SEF098T



GI
MA
EM
LC
EC
FE
CL
MT
AT
PD
FA
RA
BR
ST
RS
BT
HA
EL
IDX

TROUBLE DIAGNOSIS FOR DTC P0440

Evaporative Emission (EVAP) Control System (Small Leak) (Negative Pressure) (Cont'd)

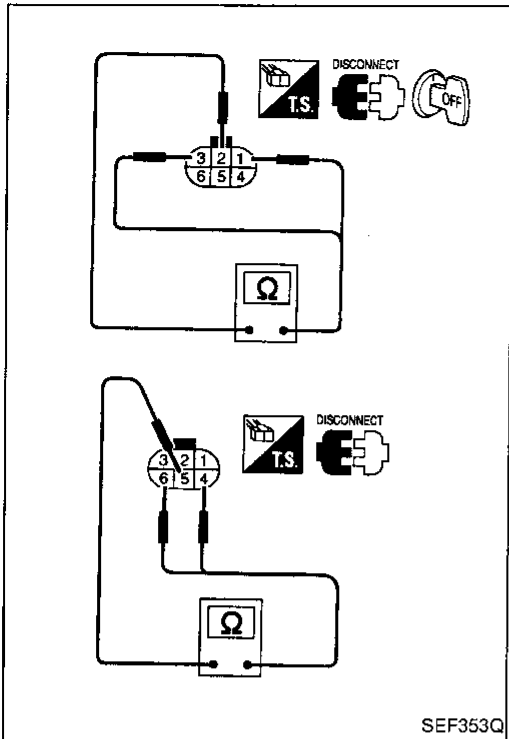
COMPONENT INSPECTION

EVAP canister purge volume control valve

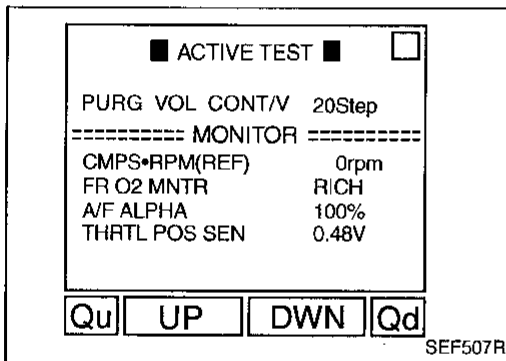
1. Disconnect EVAP canister purge volume control valve harness connector.
2. Check resistance between the following terminals.
terminal ② and terminals ①, ③
terminal ⑤ and terminals ④, ⑥
Resistance:
Approximately 35 - 43Ω [At 25°C (77°F)]
3. Reconnect EVAP canister purge volume control valve harness connector.
4. Remove EVAP canister purge volume control valve from intake manifold collector and disconnect hoses from the valve.
(Plug the purge hoses. The EVAP canister purge volume control valve harness connector should remain connected.)
5. Turn ignition switch "ON".
6. Perform "PURG VOL CONT/V" in "ACTIVE TEST" mode with CONSULT. Check that EVAP canister purge volume control valve shaft moves smoothly forward and backward according to the valve opening.
If NG, replace the EVAP canister purge volume control valve.

OR

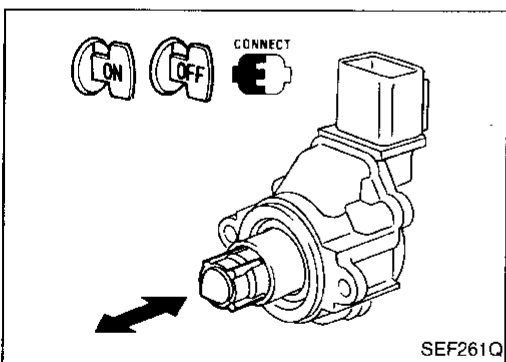
1. Disconnect EVAP canister purge volume control valve harness connector.
2. Check resistance between the following terminals.
terminal ② and terminals ①, ③
terminal ⑤ and terminals ④, ⑥
Resistance:
Approximately 35 - 43Ω [At 25°C (77°F)]
3. Reconnect EVAP canister purge volume control valve harness connector.
4. Remove EVAP canister purge volume control valve from intake manifold collector and disconnect hoses from the valve.
(Plug the purge hoses. The EVAP canister purge volume control valve harness connector should remain connected.)
5. Turn ignition switch "ON" and "OFF". Check that EVAP canister purge volume control valve shaft moves smoothly forward and backward according to the ignition switch position.
If NG, replace the EVAP canister purge volume control valve.



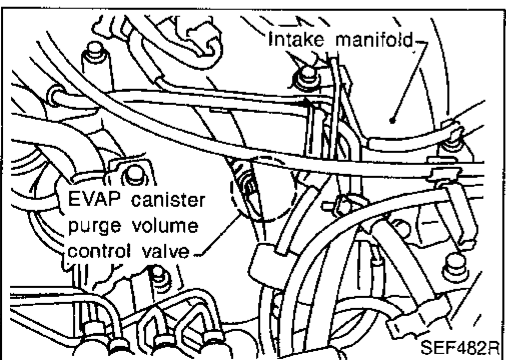
SEF353Q



SEF507R



SEF261Q



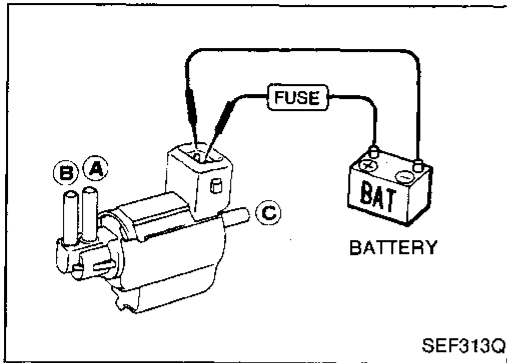
SEF482R

TROUBLE DIAGNOSIS FOR DTC P0440

Evaporative Emission (EVAP) Control System (Small Leak) (Negative Pressure) (Cont'd)

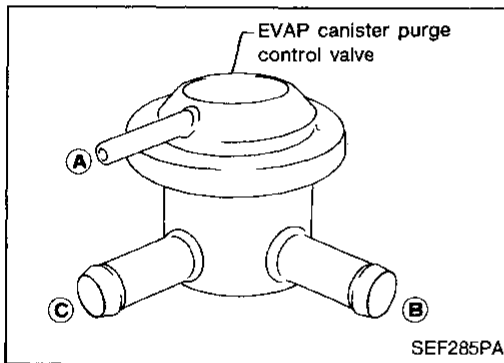
EVAP canister purge control solenoid valve

Check air passage continuity.



Condition	Air passage continuity between (A) and (B)	Air passage continuity between (A) and (C)
12V direct current supply between terminals	Yes	No
No supply	No	Yes

If NG, replace solenoid valve.



EVAP canister purge control valve

Check EVAP canister purge control valve as follows:

1. Blow air in port (A), (B) and (C), then ensure that there is no leakage.
2. Apply vacuum to port (A). [Approximately -13.3 to -20.0 kPa (-100 to -150 mmHg, -3.94 to -5.91 inHg)]
Blow air in port (C) and ensure free flow out of port (B).

GI

MA

EM

LC

EC

FE

CL

MT

AT

PD

FA

RA

BR

ST

RS

BT

HA

EL

IDX

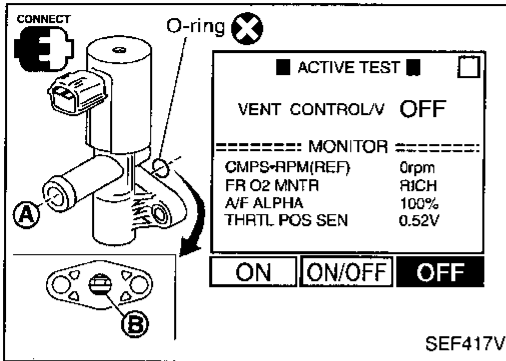
TROUBLE DIAGNOSIS FOR DTC P0440

Evaporative Emission (EVAP) Control System (Small Leak) (Negative Pressure) (Cont'd)

EVAP canister vent control valve

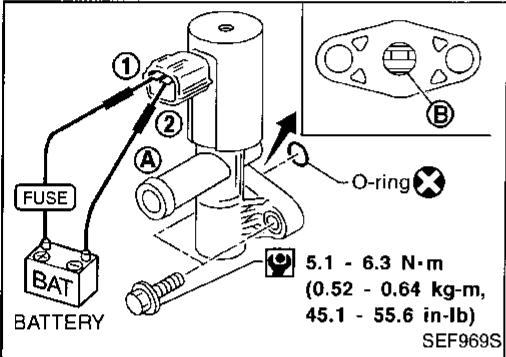
Check air passage continuity.

① Perform "VENT CONTROL/V" in "ACTIVE TEST" mode.



Condition VENT CONTROL/V	Air passage continuity between (A) and (B)
ON	No
OFF	Yes

OR

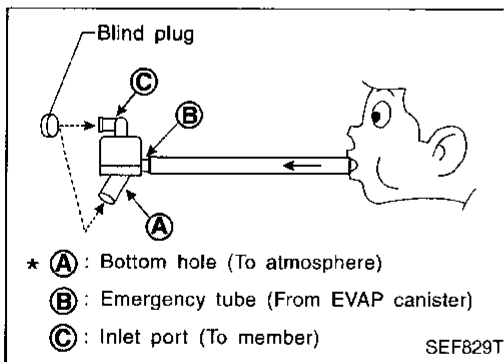


Condition	Air passage continuity between (A) and (B)
12V direct current supply between terminals ① and ②	No
No supply	Yes

If NG, clean valve using air blower or replace as necessary.

If portion (B) is rusted, replace control valve.

Make sure new O-ring is installed properly.



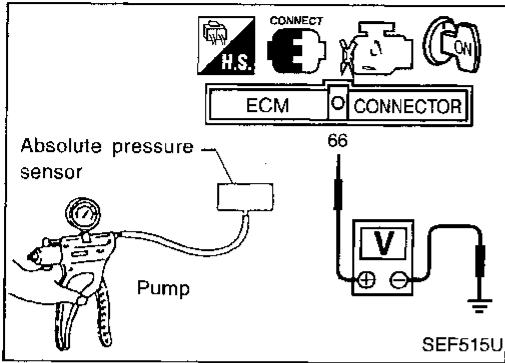
Water separator

1. Check visually for insect nests in the water separator air inlet.
 2. Check visually for cracks or flaws in the appearance.
 3. Check visually for cracks or flaws in the hose.
 4. Check that (A) and (C) are not clogged by blowing air into (B) with (A), and then (C) plugged.
 5. In case of NG in items 2 - 4, replace the parts.
- **Do not disassemble water separator.**

TROUBLE DIAGNOSIS FOR DTC P0440

Evaporative Emission (EVAP) Control System (Small Leak) (Negative Pressure) (Cont'd)

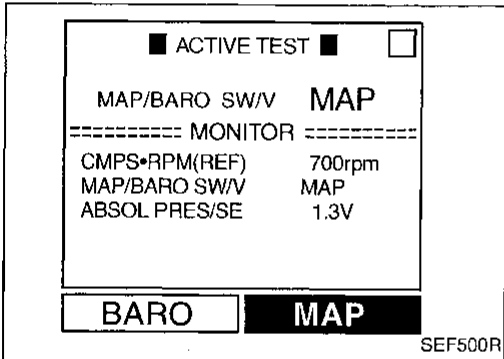
Absolute pressure sensor



1. Remove absolute pressure sensor with its harness connector connected.
2. Remove hose from absolute pressure sensor.
3. Turn ignition switch "ON" and check output voltage between ECM terminal 66 and engine ground.
The voltage should be 3.2 to 4.8 V.
4. Use pump to apply vacuum of -26.7 kPa (-200 mmHg, -7.87 inHg) to absolute pressure sensor as shown in figure and check the output voltage.
The voltage should be 1.0 to 1.4 V lower than the value measured in step 3.

CAUTION:

- Always calibrate the vacuum pump gauge when using it.
 - Do not apply pressure below -93.3 kPa (-700 mmHg, -27.56 inHg) or over 101.3 kPa (760 mmHg, 29.92 inHg).
5. If NG, replace absolute pressure sensor.



MAP/BARO switch solenoid valve

1. Start engine and warm it up to normal operating temperature.
2. Perform "MAP/BARO SW/V" in "ACTIVE TEST" mode with CONSULT.
3. Check the following.
 - Condition: At idle under no-load
 - CONSULT display

MAP/BARO	ABSOL PRES/SE (Voltage)
BARO	More than 2.6V
MAP	Less than the voltage at BARO

- Time for voltage to change

MAP/BARO SW/V	Required time to switch
BARO to MAP	Less than 1 second
MAP to BARO	

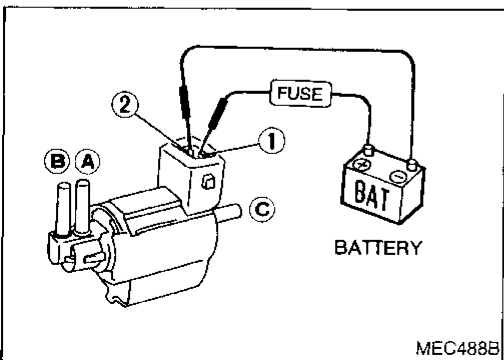
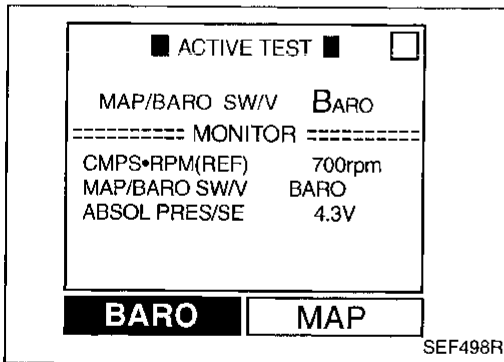
4. If NG, check solenoid valve as shown below.

OR

1. Remove MAP/BARO switch solenoid valve.
2. Check air passage continuity.

Condition	Air passage continuity between ① and ②	Air passage continuity between ① and ③
12V direct current supply between terminals ① and ②	Yes	No
No supply	No	Yes

3. If NG, replace solenoid valve.

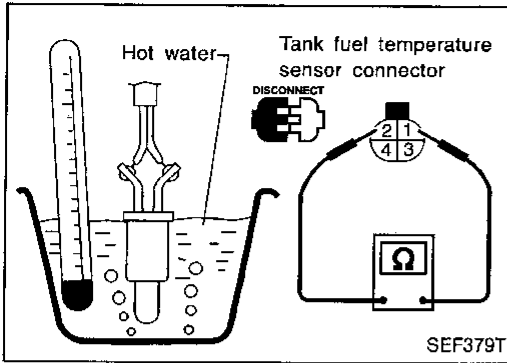


TROUBLE DIAGNOSIS FOR DTC P0440

Evaporative Emission (EVAP) Control System (Small Leak) (Negative Pressure) (Cont'd)

Tank fuel temperature sensor

Check resistance by heating with hot water or heat gun as shown in the figure.

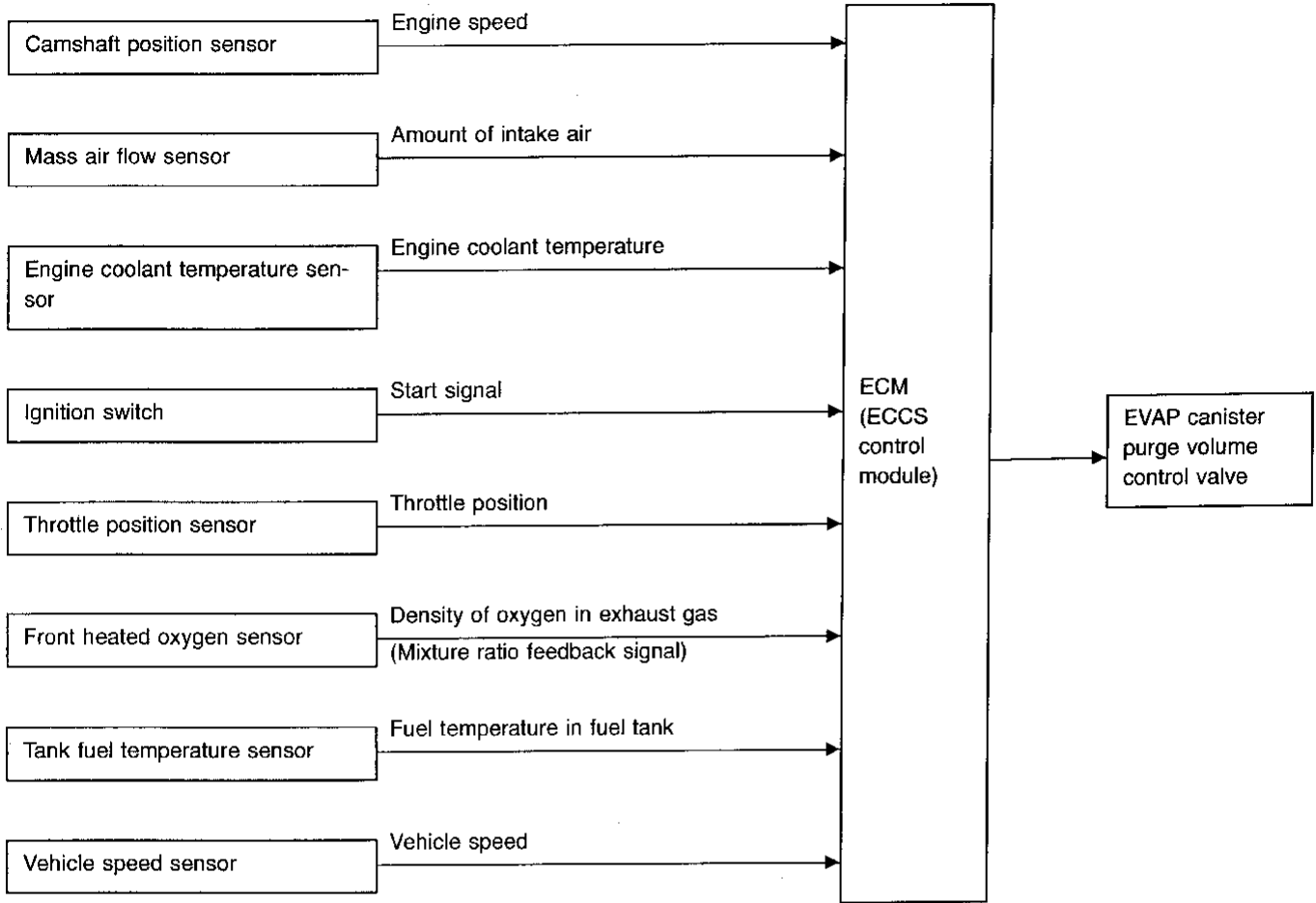


Temperature °C (°F)	Resistance kΩ
20 (68)	2.3 - 2.7
50 (122)	0.79 - 0.90

If NG, replace tank fuel temperature sensor.

Evaporative Emission (EVAP) Canister Purge Volume Control Valve (Circuit)

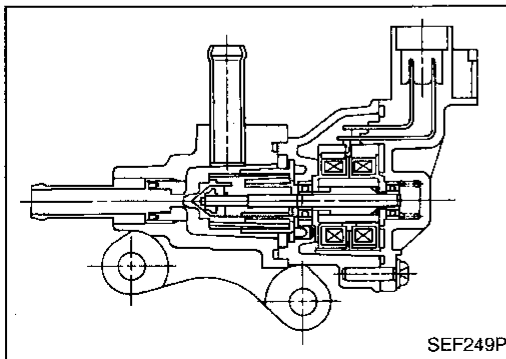
SYSTEM DESCRIPTION



GI
MA
EM
LC
EC
FE
CL
MT
AT
PD
FA

This system controls flow rate of fuel vapor from the EVAP canister. The opening of the vapor by-pass passage in the EVAP canister purge volume control valve changes to control the flow rate. A built-in step motor moves the valve in steps corresponding to the ECM output pulses. The opening of the valve varies for optimum engine control. The optimum value stored in the ECM is determined by considering various engine conditions. When the engine is operating, the flow rate of fuel vapor from the EVAP canister is regulated as the air flow changes.

RA
BR
ST
RS



COMPONENT DESCRIPTION

The EVAP canister purge volume control valve uses a step motor to control the flow rate of fuel vapor from the EVAP canister. This motor has four winding phases. It operates according to the output pulse signal of the ECM. Two windings are turned ON and OFF in sequence. Each time an ON pulse is issued, the valve opens or closes, changing the flow rate. When no change in the flow rate is needed, the ECM does not issue the pulse signal. A certain voltage signal is issued so that the valve remains at that particular opening.

BT
HA
EL
IDX

TROUBLE DIAGNOSIS FOR DTC P0443

Evaporative Emission (EVAP) Canister Purge Volume Control Valve (Circuit) (Cont'd)

CONSULT REFERENCE VALUE IN DATA MONITOR MODE

Specification data are reference values.

MONITOR ITEM	CONDITION		SPECIFICATION
PURG VOL C/V	<ul style="list-style-type: none"> ● Engine: After warming up ● Air conditioner switch "OFF" ● Shift lever "N" 	Vehicle stopped	0 step
		Vehicle running (Shift lever "1")	—

ECM TERMINALS AND REFERENCE VALUE

Specification data are reference values and are measured between each terminal and Ⓞ (ECCS ground).

TER-MINAL NO.	WIRE COLOR	ITEM	CONDITION	DATA (DC Voltage)
4	R/B	ECCS relay (Self-shutoff)	<div style="border: 1px solid black; padding: 2px;">Engine is running.</div> <div style="border: 1px solid black; padding: 2px;">Ignition switch "OFF"</div> <div style="margin-left: 20px;">└ For a few seconds after turning ignition switch "OFF"</div>	0 - 1V
			<div style="border: 1px solid black; padding: 2px;">Ignition switch "OFF"</div> <div style="margin-left: 20px;">└ A few seconds passed after turning ignition switch "OFF"</div>	BATTERY VOLTAGE (11 - 14V)
5	L	EVAP canister purge volume control valve	<div style="border: 1px solid black; padding: 2px;">Engine is running.</div> <div style="margin-left: 20px;">└ Idle speed</div>	0 - 0.4V
6	Y/L			
16	W/B	EVAP canister purge volume control valve	<div style="border: 1px solid black; padding: 2px;">Engine is running.</div> <div style="margin-left: 20px;">└ Idle speed</div>	BATTERY VOLTAGE (11 - 14V)
17	R/G			
56	B/W	Power supply for ECM	<div style="border: 1px solid black; padding: 2px;">Ignition switch "ON"</div>	BATTERY VOLTAGE (11 - 14V)
61	B/W			

ON BOARD DIAGNOSIS LOGIC

Diagnostic Trouble Code No.	Malfunction is detected when	Check Items (Possible Cause)
P0443 1008	<ul style="list-style-type: none"> ● An improper voltage signal is sent to ECM through the valve. 	<ul style="list-style-type: none"> ● Harness or connectors (The valve circuit is open or shorted.) ● EVAP canister purge volume control valve

TROUBLE DIAGNOSIS FOR DTC P0443

Evaporative Emission (EVAP) Canister Purge Volume Control Valve (Circuit) (Cont'd)

DIAGNOSTIC TROUBLE CODE CONFIRMATION PROCEDURE

NOTE:

If "DIAGNOSTIC TROUBLE CODE CONFIRMATION PROCEDURE" has been previously conducted, always turn ignition switch "OFF" and wait at least 5 seconds before conducting the next test.

TESTING CONDITION:

Before performing the following procedure, confirm that battery voltage is more than 11V at idle.

☆ MONITOR	☆ NO FAIL	<input type="checkbox"/>
CMPS-RPM(REF)	700rpm	
COOLAN TEMP/S	85°C	
PURG VOL C/V	0step	
RECORD		

SEF029V



- 1) Turn ignition switch "ON".
- 2) Select "DATA MONITOR" mode with CONSULT.
- 3) Wait at least 5 seconds.

OR



- 1) Turn ignition switch "ON" and wait at least 5 seconds.
- 2) Select "MODE 7" with GST.

OR



- 1) Turn ignition switch "ON" and wait at least 5 seconds.
- 2) Turn ignition switch "OFF", wait at least 5 seconds and then turn "ON".
- 3) Perform "Diagnostic Test Mode II (Self-diagnostic results)" with ECM.

GI

MA

EM

LC

EC

FE

CL

MT

AT

PD

FA

RA

BR

ST

RS

BT

HA

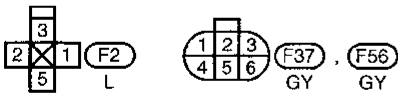
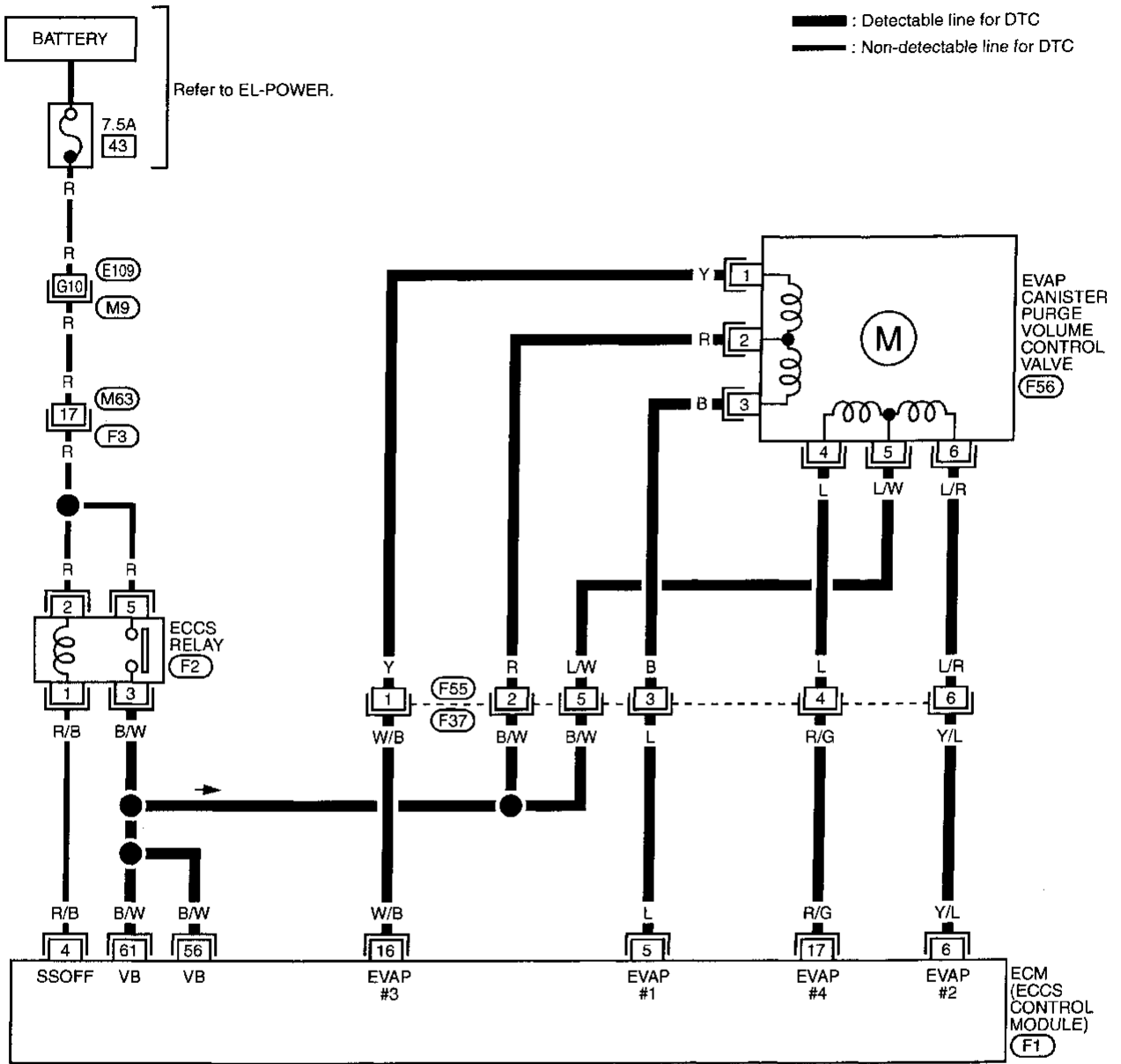
EL

IDX

TROUBLE DIAGNOSIS FOR DTC P0443

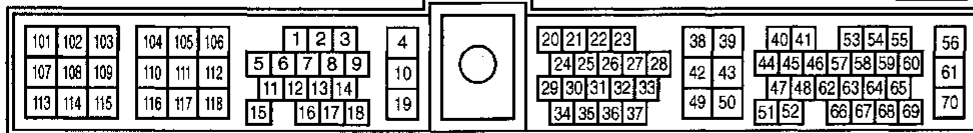
Evaporative Emission (EVAP) Canister Purge Volume Control Valve (Circuit) (Cont'd)

EC-PGC/V-01



Refer to last page (Foldout page).

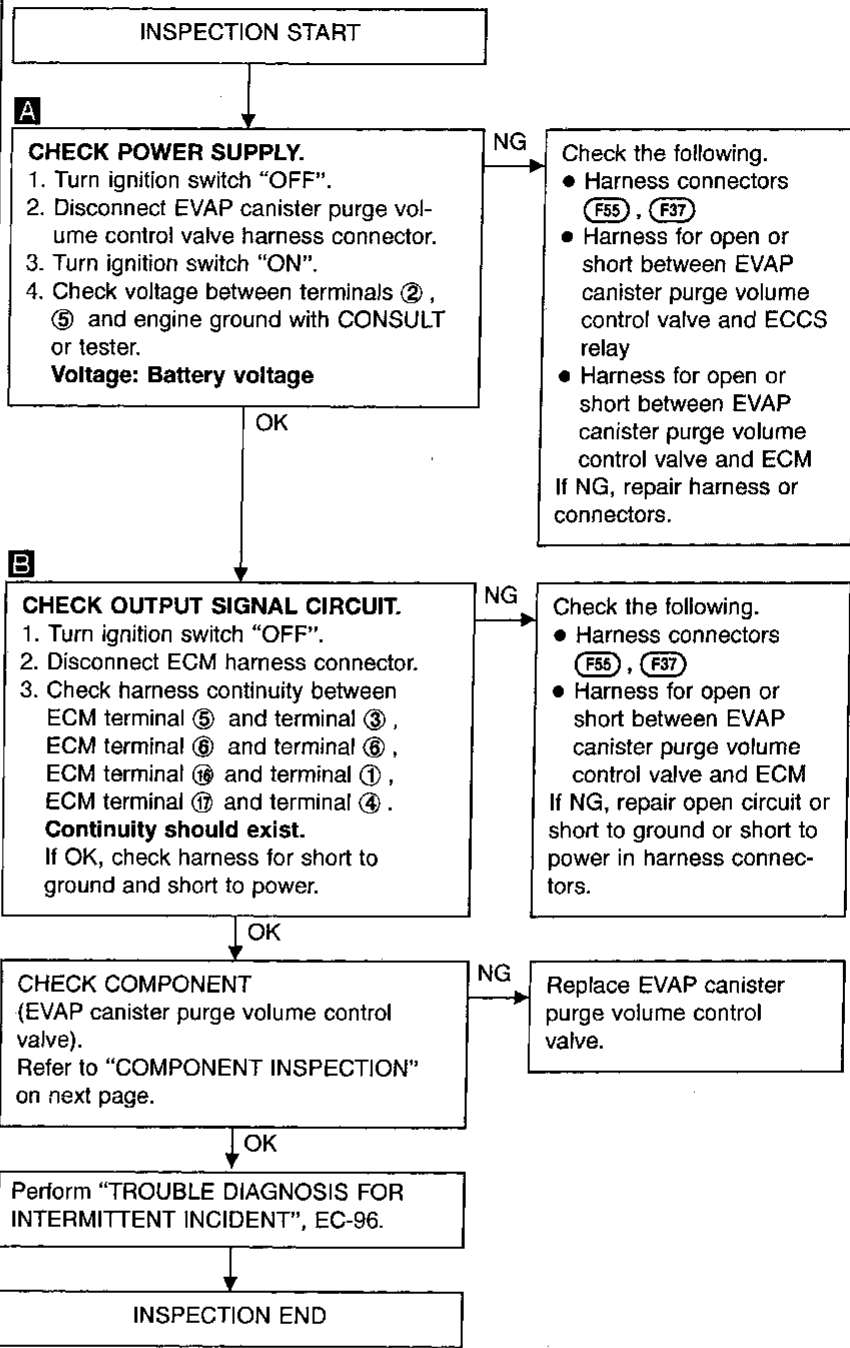
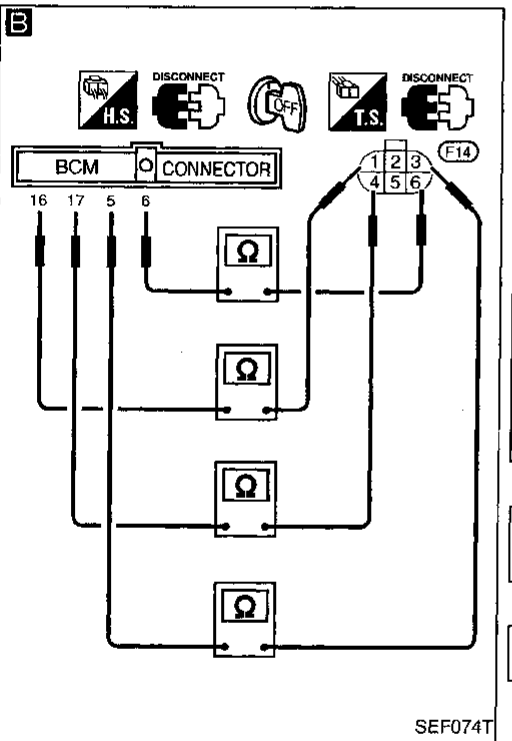
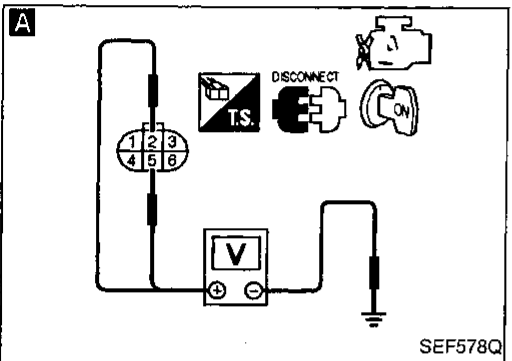
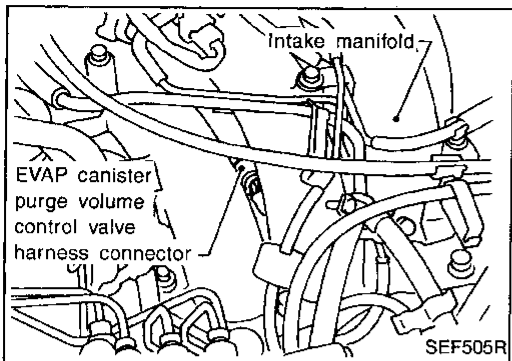
(E109), (M9)
 (M63), (F3)



TROUBLE DIAGNOSIS FOR DTC P0443

Evaporative Emission (EVAP) Canister Purge Volume Control Valve (Circuit) (Cont'd)

DIAGNOSTIC PROCEDURE



GI
MA
EM
LC
EC
FE
CL
MT
AT
PD
FA
RA
BR
ST
RS
BT
HA
EL
IDX

TROUBLE DIAGNOSIS FOR DTC P0443

Evaporative Emission (EVAP) Canister Purge Volume Control Valve (Circuit) (Cont'd)

COMPONENT INSPECTION

EVAP canister purge volume control valve

1. Disconnect EVAP canister purge volume control valve harness connector.
2. Check resistance between the following terminals.
terminal ② and terminals ①, ③
terminal ⑤ and terminals ④, ⑥

Resistance:

Approximately 35 - 43Ω [At 25°C (77°F)]

3. Reconnect EVAP canister purge volume control valve harness connector.
4. Remove EVAP canister purge volume control valve from intake manifold collector and disconnect hoses from the valve.
(Plug the purge hoses. The EVAP canister purge volume control valve harness connector should remain connected.)
5. Turn ignition switch "ON".
6. Perform "PURG VOL CONT/V" in "ACTIVE TEST" mode with CONSULT. Check that EVAP canister purge volume control valve shaft moves smoothly forward and backward according to the valve opening.
If NG, replace the EVAP canister purge volume control valve.

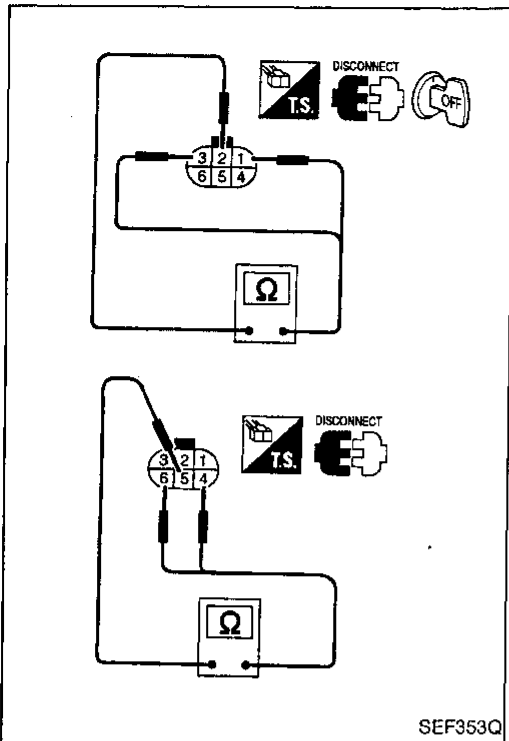
OR

1. Disconnect EVAP canister purge volume control valve harness connector.
2. Check resistance between the following terminals.
terminal ② and terminals ①, ③
terminal ⑤ and terminals ④, ⑥

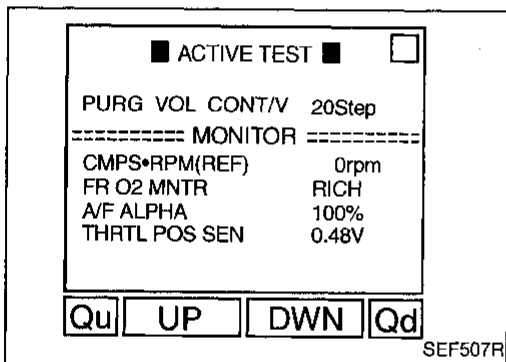
Resistance:

Approximately 35 - 43Ω [At 25°C (77°F)]

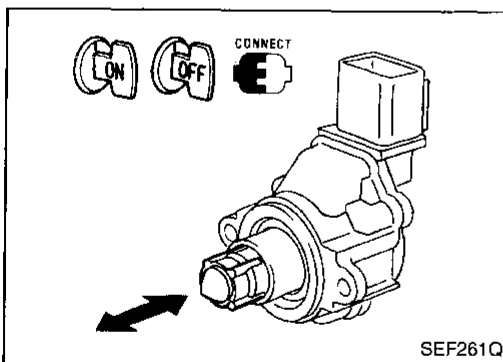
3. Reconnect EVAP canister purge volume control valve harness connector.
4. Remove EVAP canister purge volume control valve from intake manifold collector and disconnect hoses from the valve.
(Plug the purge hoses. The EVAP canister purge volume control valve harness connector should remain connected.)
5. Turn ignition switch "ON" and "OFF". Check that EVAP canister purge volume control valve shaft moves smoothly forward and backward according to the ignition switch position.
If NG, replace the EVAP canister purge volume control valve.



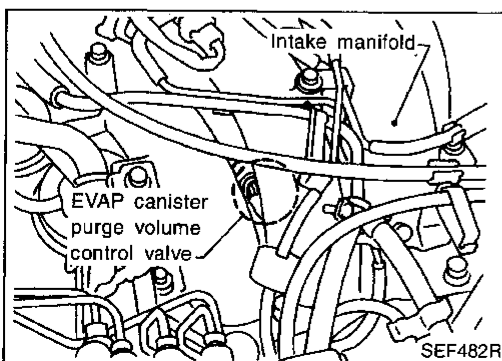
SEF353Q



SEF507R

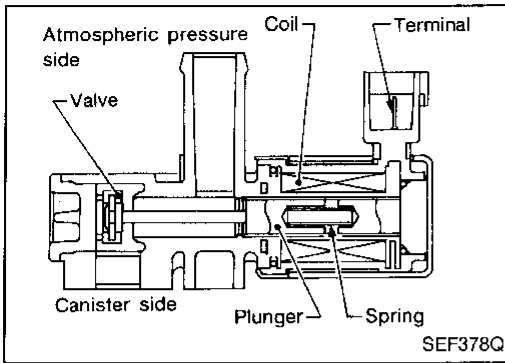


SEF261Q



SEF482R

TROUBLE DIAGNOSIS FOR DTC P0446



Evaporative Emission (EVAP) Canister Vent Control Valve (Circuit)

COMPONENT DESCRIPTION

The EVAP canister vent control valve is located on the EVAP canister and is used to seal the canister vent.

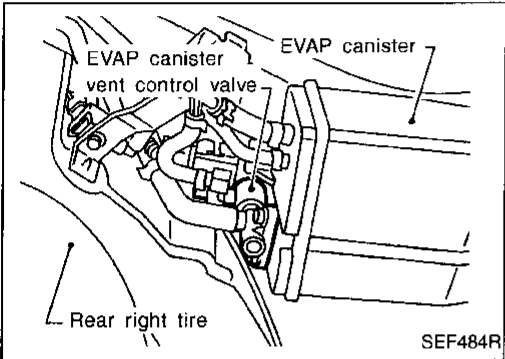
This solenoid (the EVAP canister vent control valve) responds to signals from the ECM.

When the ECM sends an ON signal, the coil in the solenoid valve is energized.

A plunger will then move to seal the canister vent. The ability to seal the vent is necessary for the on board diagnosis of other evaporative emission control system components.

This solenoid valve is used only for diagnosis, and usually remains opened.

When the vent is closed, under normal purge conditions, the evaporative emission control system is depressurized and allows "EVAP Control System (Small Leak)" diagnosis.



CONSULT REFERENCE VALUE IN DATA MONITOR MODE

Specification data are reference values.

MONITOR ITEM	CONDITION	SPECIFICATION
VENT CONT/V	• Ignition switch: ON	OFF

ECM TERMINALS AND REFERENCE VALUE

Specification data are reference values and are measured between each terminal and ④ (ECCS ground).

TER-MINAL NO.	WIRE COLOR	ITEM	CONDITION	DATA (DC Voltage)
108	Y/G	EVAP canister vent control valve	Ignition switch "ON"	BATTERY VOLTAGE (11 - 14V)

ON BOARD DIAGNOSIS LOGIC

Diagnostic Trouble Code No.	Malfunction is detected when ...	Check Items (Possible Cause)
P0446 0903	• An improper voltage signal is sent to ECM through EVAP canister vent control valve.	<ul style="list-style-type: none"> • Harness or connectors (EVAP canister vent control valve circuit is open or shorted.) • EVAP canister vent control valve

GI
MA
EM
LC
EC
FE
CL
MT
AT
PD
FA
RA
BR
ST
RS
BT
HA
EL
IDX

TROUBLE DIAGNOSIS FOR DTC P0446

☆ MONITOR	☆ NO FAIL	<input type="checkbox"/>
CMPS-RPM(REF)	700rpm	
RECORD		

SEF190P

Evaporative Emission (EVAP) Canister Vent Control Valve (Circuit) (Cont'd)

DIAGNOSTIC TROUBLE CODE CONFIRMATION PROCEDURE

NOTE:

If "DIAGNOSTIC TROUBLE CODE CONFIRMATION PROCEDURE" has been previously conducted, always turn ignition switch "OFF" and wait at least 5 seconds before conducting the next test.

TESTING CONDITION:

Before performing the following procedure, confirm battery voltage is more than 11V at idle.



- 1) Turn ignition switch "ON".
- 2) Select "DATA MONITOR" mode with CONSULT.
- 3) Start engine and wait at least 8 seconds.

OR



- 1) Start engine and wait at least 8 seconds.
- 2) Select "MODE 7" with GST.

OR

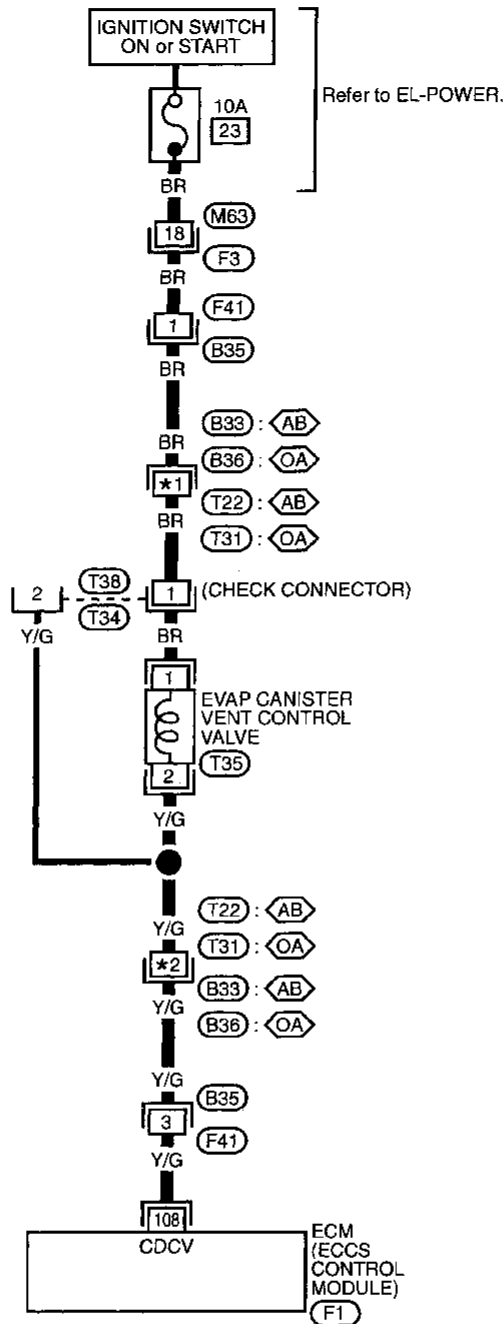


- 1) Start engine and wait at least 5 seconds.
- 2) Turn ignition switch "OFF", wait at least 8 seconds and then turn "ON".
- 3) Perform "Diagnostic Test Mode II (Self-diagnostic results)" with ECM.

TROUBLE DIAGNOSIS FOR DTC P0446

Evaporative Emission (EVAP) Canister Vent Control Valve (Circuit) (Cont'd)

EC-VENT/V-01

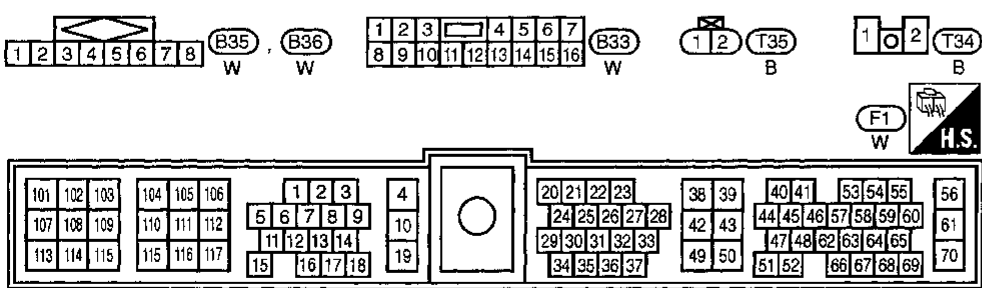


Refer to EL-POWER.

: Detectable line for DTC
 : Non-detectable line for DTC
AB : Models with ABS
OA : Models without ABS

*1 1: AB
 1: OA
 *2 8: AB
 3: OA

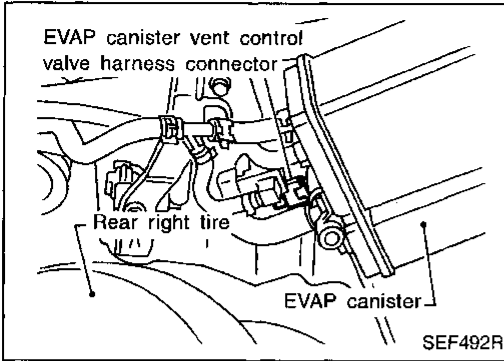
GI
MA
EM
LC
EC
FE
CL
MT
AT
PD
FA
RA
BR
ST
RS
BT
HA
EL
IDX



Refer to last page (Foldout page).
M63, F3

TROUBLE DIAGNOSIS FOR DTC P0446

Evaporative Emission (EVAP) Canister Vent Control Valve (Circuit) (Cont'd) DIAGNOSTIC PROCEDURE



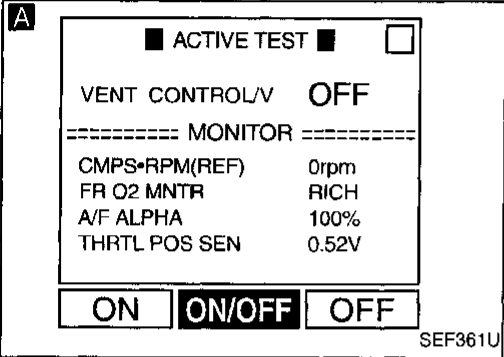
INSPECTION START

With CONSULT

Without CONSULT
Go to CHECK POWER SUPPLY **B**.

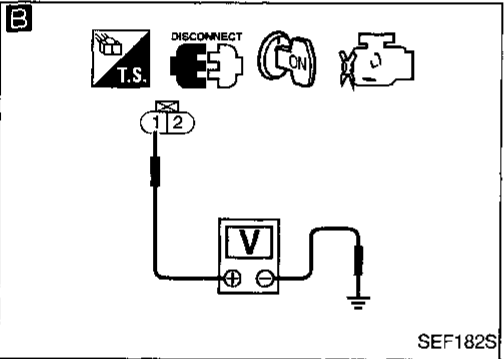
A
CHECK CIRCUIT.
1. Turn ignition switch "ON".
2. Perform "VENT CONTROL/V" in "ACTIVE TEST" mode.
3. Make sure that ratcheting sound is heard from the vent control valve.

OK
Go to "CHECK COMPONENT" after procedure **C**.



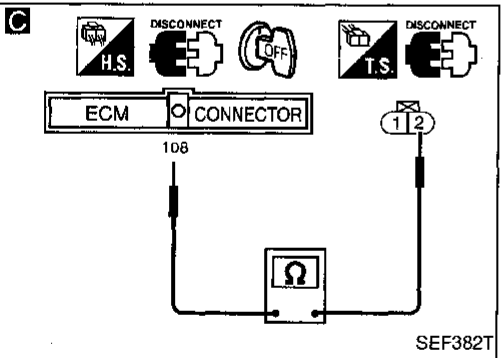
B
CHECK POWER SUPPLY.
1. Disconnect EVAP canister vent control valve harness connector.
2. Turn ignition switch "ON".
3. Check voltage between terminal ① and ground with CONSULT or tester.
Voltage: Battery voltage

NG
Check the following.
• Harness connectors (M63, F3)
• Harness connectors (F41, B35)
• Harness connectors (Models with ABS) (B33, T22) (Models without ABS) (B36, T31)
• Harness connectors (T36, T34)
• 10A fuse
• Harness for open or short between EVAP canister vent control valve and fuse
If NG, repair harness or connectors.



OK
C
CHECK OUTPUT SIGNAL CIRCUIT.
1. Turn ignition switch "OFF".
2. Disconnect ECM harness connector.
3. Check harness continuity between ECM terminal ① and terminal ②.
Continuity should exist.
If OK, check harness for short to ground and short to power.

NG
Check the following.
• Harness connectors (Models with ABS) (T22, B33) (Models without ABS) (T31, B36)
• Harness connectors (B35, F41)
• Harness for open or short between EVAP canister vent control valve and ECM
If NG, repair open circuit or short to ground or short to power in harness or connectors.



OK
CHECK COMPONENT
(EVAP canister vent control valve and O-ring).
Refer to "COMPONENT INSPECTION" on next page.

NG
Replace EVAP canister vent control valve and O-ring.

OK
Perform "TROUBLE DIAGNOSIS FOR INTERMITTENT INCIDENT", EC-96.

INSPECTION END

TROUBLE DIAGNOSIS FOR DTC P0446

Evaporative Emission (EVAP) Canister Vent Control Valve (Circuit) (Cont'd)

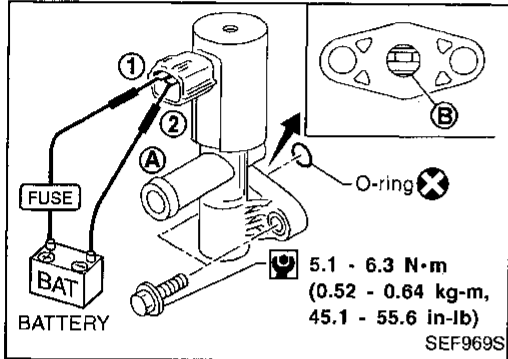
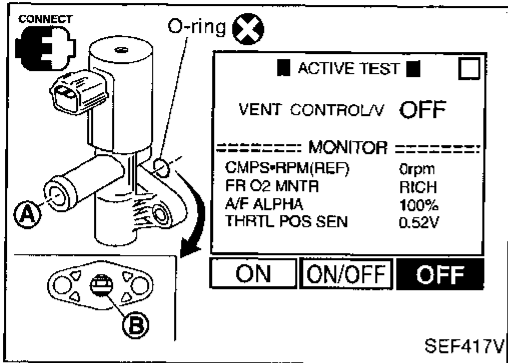
COMPONENT INSPECTION

EVAP canister vent control valve

Check air passage continuity.



Perform "VENT CONTROL/V" in "ACTIVE TEST" mode.



Condition	Air passage continuity between (A) and (B)
VENT CONTROL/V ON	No
VENT CONTROL/V OFF	Yes

OR



Condition	Air passage continuity between (A) and (B)
12V direct current supply between terminals ① and ②	No
No supply	Yes

If NG, clean valve using air blower or replace as necessary.

If the portion (B) is rusted, replace EVAP canister vent control valve.

Make sure new O-ring is installed properly.

GI

MA

EM

LC

EC

FE

CL

MT

AT

PD

FA

RA

BR

ST

RS

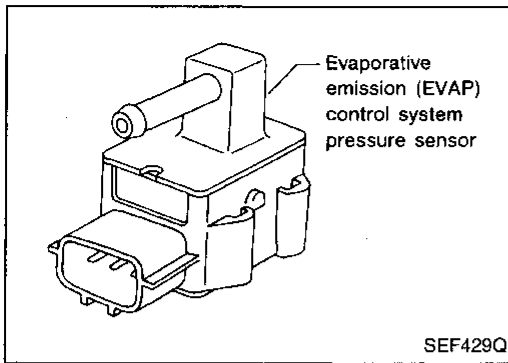
BT

HA

EL

IDX

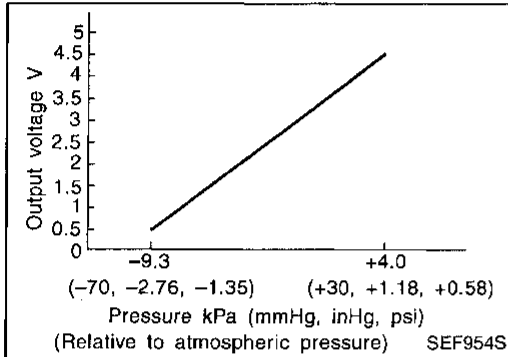
TROUBLE DIAGNOSIS FOR DTC P0450



Evaporative Emission (EVAP) Control System Pressure Sensor

COMPONENT DESCRIPTION

The EVAP control system pressure sensor detects pressure in the purge line. The sensor output voltage to the ECM increases as pressure increases. The EVAP control system pressure sensor is not used to control the engine system. It is used only for on board diagnosis.



CONSULT REFERENCE VALUE IN DATA MONITOR MODE

Specification data are reference values.

MONITOR ITEM	CONDITION	SPECIFICATION
EVAP SYS PRES	● Ignition switch: ON	Approx. 3.4V

ECM TERMINALS AND REFERENCE VALUE

Specification data are reference values and are measured between each terminal and Ⓞ (ECCS ground).

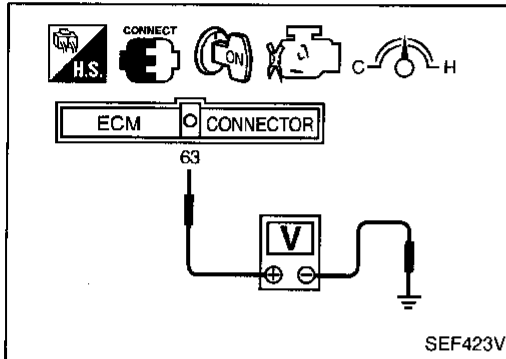
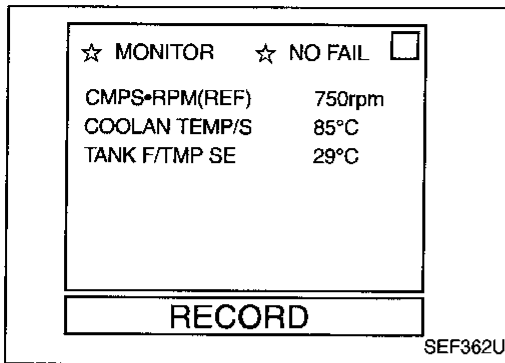
TER-MINAL NO.	WIRE COLOR	ITEM	CONDITION	DATA (DC Voltage)
49	LG/R	Sensors' power supply	Ignition switch "ON"	Approximately 5V
50	B	Sensors' ground	Engine is running. (Warm-up condition) └ Idle speed	Approximately 0V
67	G	EVAP control system pressure sensor	Ignition switch "ON"	Approximately 3.4V

ON BOARD DIAGNOSIS LOGIC

Diagnostic Trouble Code No.	Malfunction is detected when	Check Items (Possible Cause)
P0450 0704	<ul style="list-style-type: none"> An improper voltage signal from EVAP control system pressure sensor is sent to ECM. 	<ul style="list-style-type: none"> Harness or connectors (The EVAP control system pressure sensor circuit is open or shorted.) Rubber hose to EVAP control system pressure is clogged, vent, kinked, disconnected or improper connection. EVAP control system pressure sensor EVAP canister purge volume control valve EVAP canister vent control valve EVAP canister Rubber hose from EVAP canister vent control valve to water separator

TROUBLE DIAGNOSIS FOR DTC P0450

Evaporative Emission (EVAP) Control System Pressure Sensor (Cont'd)



DIAGNOSTIC TROUBLE CODE CONFIRMATION PROCEDURE

NOTE:

If "DIAGNOSTIC TROUBLE CODE CONFIRMATION PROCEDURE" has been previously conducted, always turn ignition switch "OFF" and wait at least 5 seconds before conducting the next test.

TESTING CONDITION:

Always perform test at a temperature of 5°C (41°F) or more.

- 1) Start engine and warm it up to normal operating temperature.
- 2) Turn ignition switch "OFF" and wait at least 5 seconds.
- 3) Turn ignition switch "ON".
- 4) Select "DATA MONITOR" mode with CONSULT.
- 5) Make sure that "TANK F/TEMP SE" is more than 0°C (32°F).
- 6) Start engine and wait at least 20 seconds.

OR

- 1) Start engine and warm it up to normal operating temperature.
- 2) Turn ignition switch "OFF" and wait at least 5 seconds.
- 3) Turn ignition switch "ON".
- 4) Check that voltage between ECM terminal 63 and ground is less than 4.2V.
- 5) Start engine and wait at least 20 seconds.
- 6) Select "MODE 7" with GST.

OR

- 1) Start engine and warm it up to normal operating temperature.
- 2) Turn ignition switch "OFF" and wait at least 5 seconds.
- 3) Turn ignition switch "ON".
- 4) Check that voltage between ECM terminal 63 and ground is less than 4.2V.
- 5) Start engine and wait at least 20 seconds.
- 6) Turn ignition switch "OFF", wait at least 5 seconds and then turn "ON".
- 7) Perform "Diagnostic Test Mode II (Self-diagnostic results)" with ECM.

GI

MA

EM

LC

EC

FE

CL

MT

AT

PD

FA

RA

BR

ST

RS

BT

HA

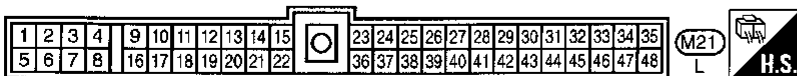
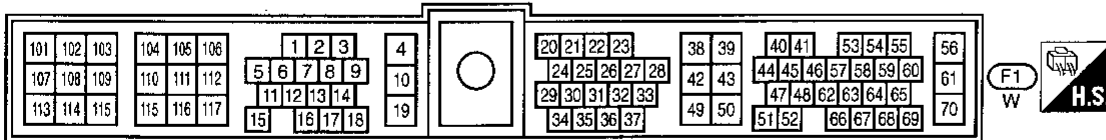
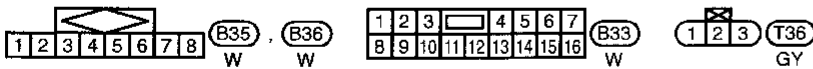
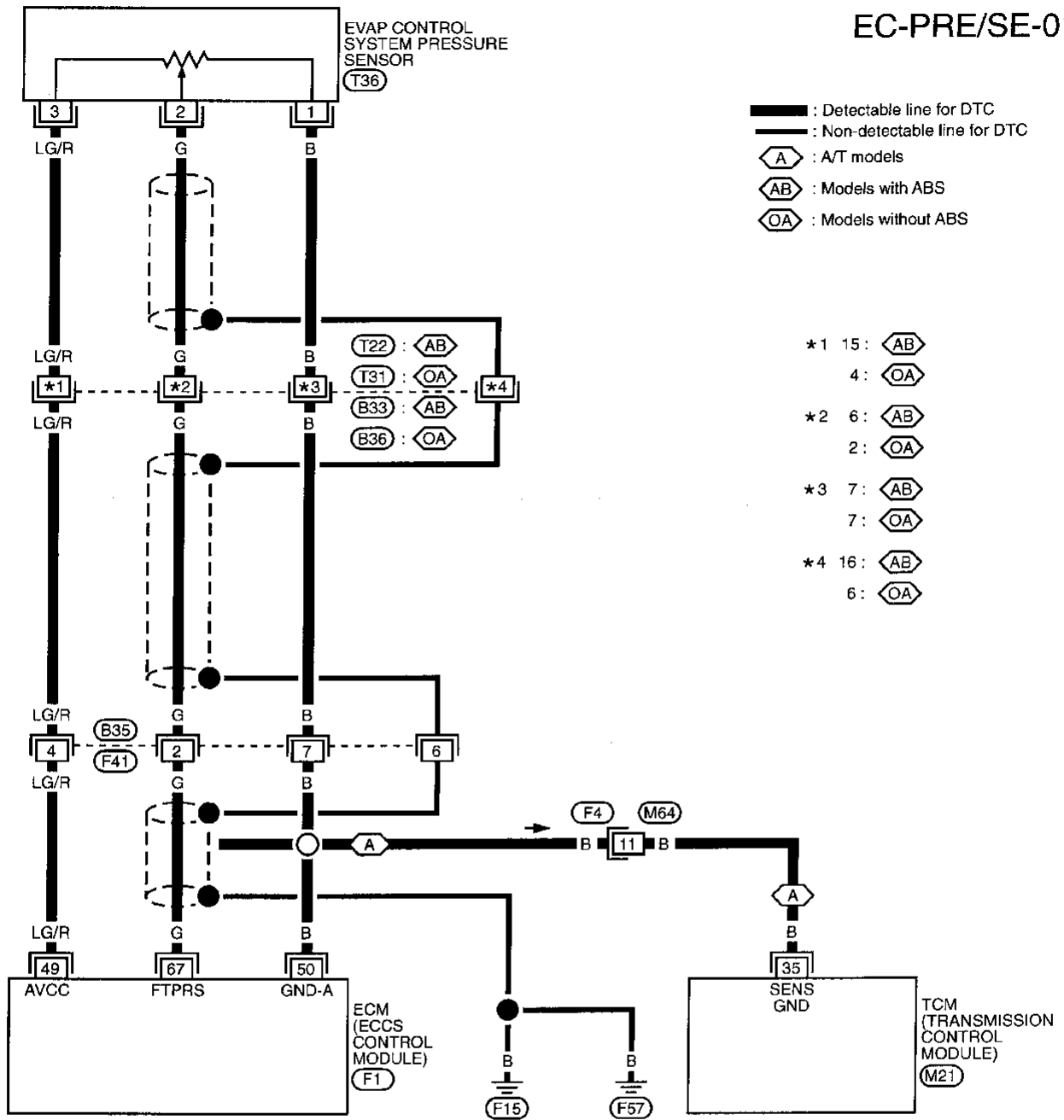
EL

IDX

TROUBLE DIAGNOSIS FOR DTC P0450

Evaporative Emission (EVAP) Control System Pressure Sensor (Cont'd)

EC-PRE/SE-01



TROUBLE DIAGNOSIS FOR DTC P0450

Evaporative Emission (EVAP) Control System Pressure Sensor (Cont'd)

DIAGNOSTIC PROCEDURE

INSPECTION START

CHECK RUBBER TUBE CONNECTED TO THE SENSOR.
Check rubber tube connected to the sensor for clogging, vent, kink, disconnection or improper connection.

NG

Reconnect, repair or replace.

OK

1. Turn ignition switch "OFF".
2. Loosen and retighten engine ground screws.

A

CHECK POWER SUPPLY.

1. Disconnect EVAP control system pressure sensor harness connector.
2. Check sensor harness connector for water.
Water should not exist. If OK, go to step 3. If NG, repair or replace harness connector.
3. Turn ignition switch "ON".
4. Check voltage between terminal ③ and engine ground with CONSULT or tester.
Voltage: Approximately 5V

NG

Check the following.

- Harness connectors (Models with ABS) (T22), (B33) (Models without ABS) (T31), (B36)
 - Harness for open or short between EVAP control system pressure sensor and ECM
- If NG, repair harness or connectors.

OK

B

CHECK GROUND CIRCUIT.

1. Turn ignition switch "OFF".
2. Check harness continuity between terminal ① and engine ground.
Continuity should exist. If OK, check harness for short to ground and short to power.

NG

Check the following.

- Harness connectors (Models with ABS) (T22), (B33) (Models without ABS) (T31), (B36)
 - Harness connectors (B35), (F41)
 - Harness connectors (F4), (M64)
 - Harness for open or short between ECM and EVAP control system pressure sensor
 - Harness for open or short between TCM and EVAP control system pressure sensor
- If NG, repair open circuit or short to ground or short to power in harness or connectors.

OK

C

CHECK INPUT SIGNAL CIRCUIT.

1. Disconnect ECM harness connector.
2. Check harness continuity between ECM terminal ⑥ and terminal ②.
Continuity should exist. If OK, check harness for short to ground and short to power.

NG

Check the following.

- Harness connectors (Models with ABS) (T22), (B33) (Models without ABS) (T31), (B36)
 - Harness for open or short between ECM and EVAP control system pressure sensor
- If NG, repair open circuit or short to ground or short to power in harness or connectors.

OK

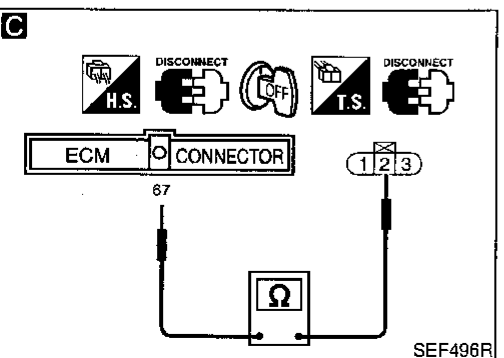
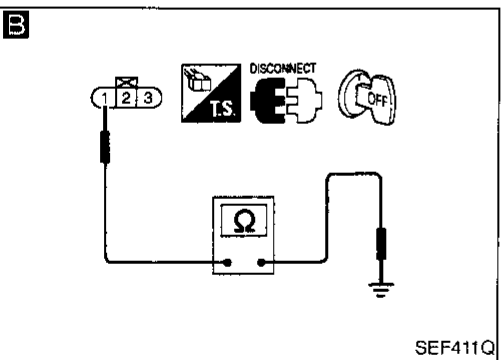
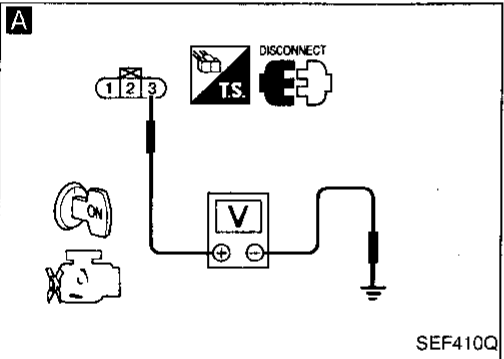
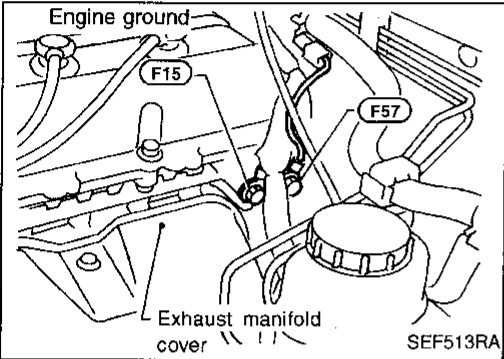
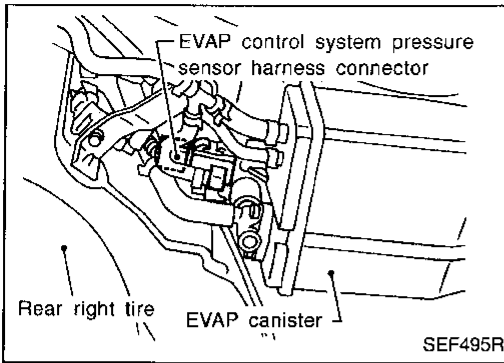
CHECK COMPONENT (EVAP canister purge volume control valve). Refer to "COMPONENT INSPECTION", EC-276.

NG

Replace EVAP canister purge volume control valve.

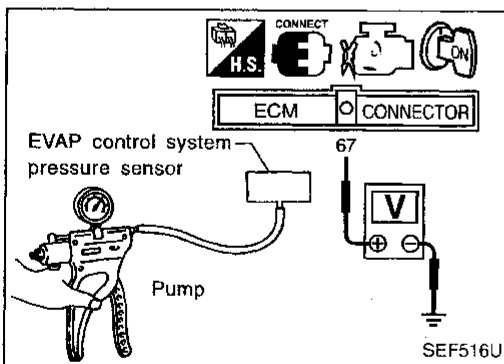
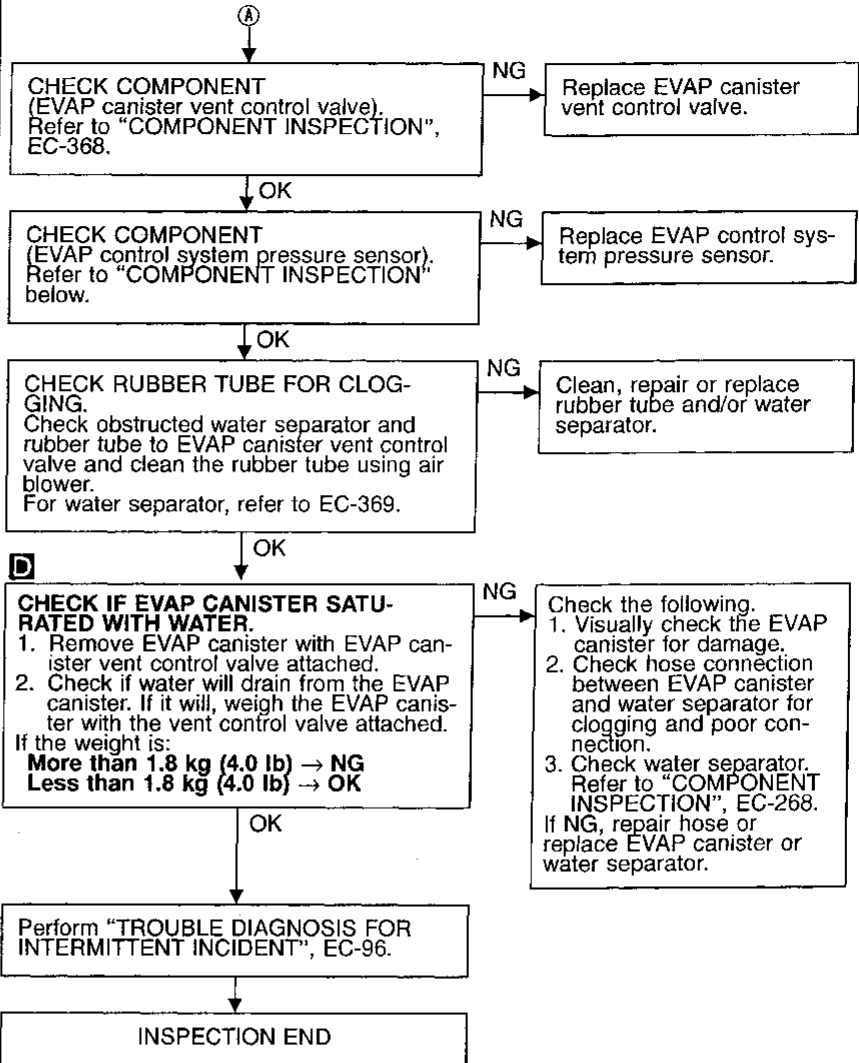
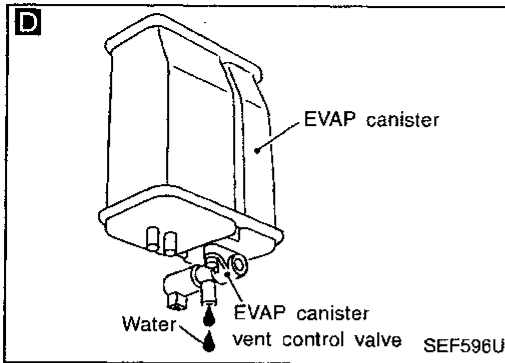
OK

(A)



TROUBLE DIAGNOSIS FOR DTC P0450

Evaporative Emission (EVAP) Control System Pressure Sensor (Cont'd)



COMPONENT INSPECTION

EVAP control system pressure sensor

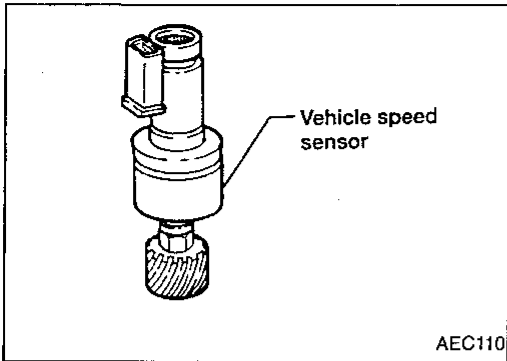
1. Remove EVAP control system pressure sensor with its harness connector connected.
2. Remove hose from EVAP control system pressure sensor.
3. Use pump to apply vacuum and pressure to EVAP control system pressure sensor as shown in figure.
4. Check output voltage between ECM terminal ⑆7 and engine ground.

Pressure (Relative to atmospheric pressure)	Voltage (V)
0 kPa (0 mmHg, 0 inHg)	3.0 - 3.6
-9.3 kPa (-70 mmHg, -2.76 inHg)	0.4 - 0.6

CAUTION:

- Always calibrate the vacuum pump gauge when using it.
 - Do not apply pressure below -20.0 kPa (-150 mmHg, -5.91 inHg) or over 20.0 kPa (150 mmHg, 5.91 inHg).
5. If NG, replace EVAP control system pressure sensor.

TROUBLE DIAGNOSIS FOR DTC P0500



Vehicle Speed Sensor (VSS)

COMPONENT DESCRIPTION

The vehicle speed sensor is installed in the transmission. It contains a pulse generator which provides a vehicle speed signal to the speedometer. The speedometer then sends a signal to the ECM.

ECM TERMINALS AND REFERENCE VALUE

Specification data are reference values and are measured between each terminal and Ⓒ (ECCS ground).

TER-MINAL NO.	WIRE COLOR	ITEM	CONDITION	DATA (DC Voltage)
26	Y/G	Vehicle speed sensor	<p>Engine is running.</p> <ul style="list-style-type: none"> — Lift up the vehicle. — In 1st gear position — 40 km/h (25 MPH) 	<p>0 - Approximately 4.2V</p> <p style="text-align: right;">SEF642U</p>

ON BOARD DIAGNOSIS LOGIC

Diagnostic Trouble Code No.	Malfunction is detected when	Check Items (Possible Cause)
P0500 0104	<ul style="list-style-type: none"> • The almost 0 km/h (0 MPH) signal from vehicle speed sensor is sent to ECM even when vehicle is being driven. 	<ul style="list-style-type: none"> • Harness or connector (The vehicle speed sensor circuit is open or shorted.) • Vehicle speed sensor

TROUBLE DIAGNOSIS FOR DTC P0500

Vehicle Speed Sensor (VSS) (Cont'd)

DIAGNOSTIC TROUBLE CODE CONFIRMATION PROCEDURE

CAUTION:

- Always drive vehicle at a safe speed.
- If "DIAGNOSTIC TROUBLE CODE CONFIRMATION PROCEDURE" has been previously conducted, always turn ignition switch "OFF" and wait at least 5 seconds before conducting the next test.

TESTING CONDITION:

Steps 1 and 2 may be conducted with the drive wheels lifted in the shop or by driving the vehicle. If a road test is expected to be easier, it is unnecessary to lift the vehicle.

- ① 1) Start engine.
2) Perform "VEHICLE SPEED SEN CIRCUIT" in "FUNCTION TEST" mode with CONSULT.
-

- ① 1) Start engine
2) Read vehicle speed sensor signal in "DATA MONITOR" mode with CONSULT. The vehicle speed on CONSULT should exceed 10 km/h (6 MPH) when rotating wheels with suitable gear position.
If NG, go to "DIAGNOSTIC PROCEDURE", EC-290.
If OK, go to following step.

- 3) Select "DATA MONITOR" mode with CONSULT.
4) Warm engine up to normal operating temperature.
5) Maintain the following conditions for at least 10 consecutive seconds.

CMPS-RPM (REF): 2,000 - 3,700 rpm (A/T)
1,800 - 2,600 rpm (M/T)

COOLAN TEMP/S: More than 70°C (158°F)

B/FUEL SCHDL: 2 - 3.5 ms (A/T)
2 - 3.6 ms (M/T)

Selector lever: Suitable position

PW/ST SIGNAL: OFF

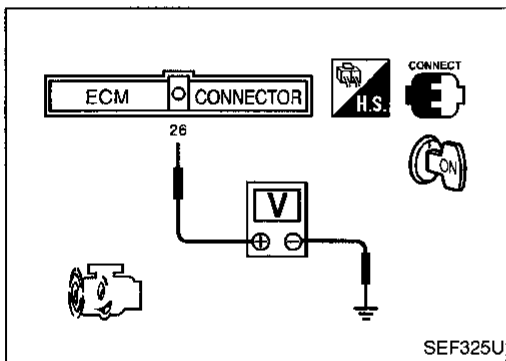
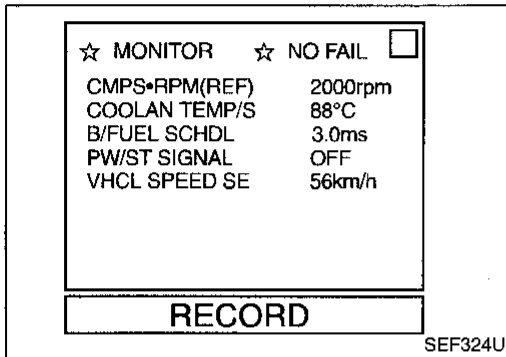
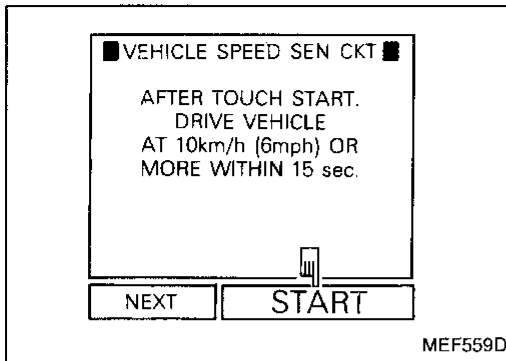
OVERALL FUNCTION CHECK

Use this procedure to check the overall function of the EVAP canister vent control valve circuit. During this check, a DTC might not be confirmed.

- ① 1) Jack up drive wheels.
2) Start engine.
3) Read vehicle speed sensor signal in "MODE 1" with GST.

The vehicle speed sensor on GST should be able to exceed 10 km/h (6 MPH) when rotating wheels with suitable gear position.

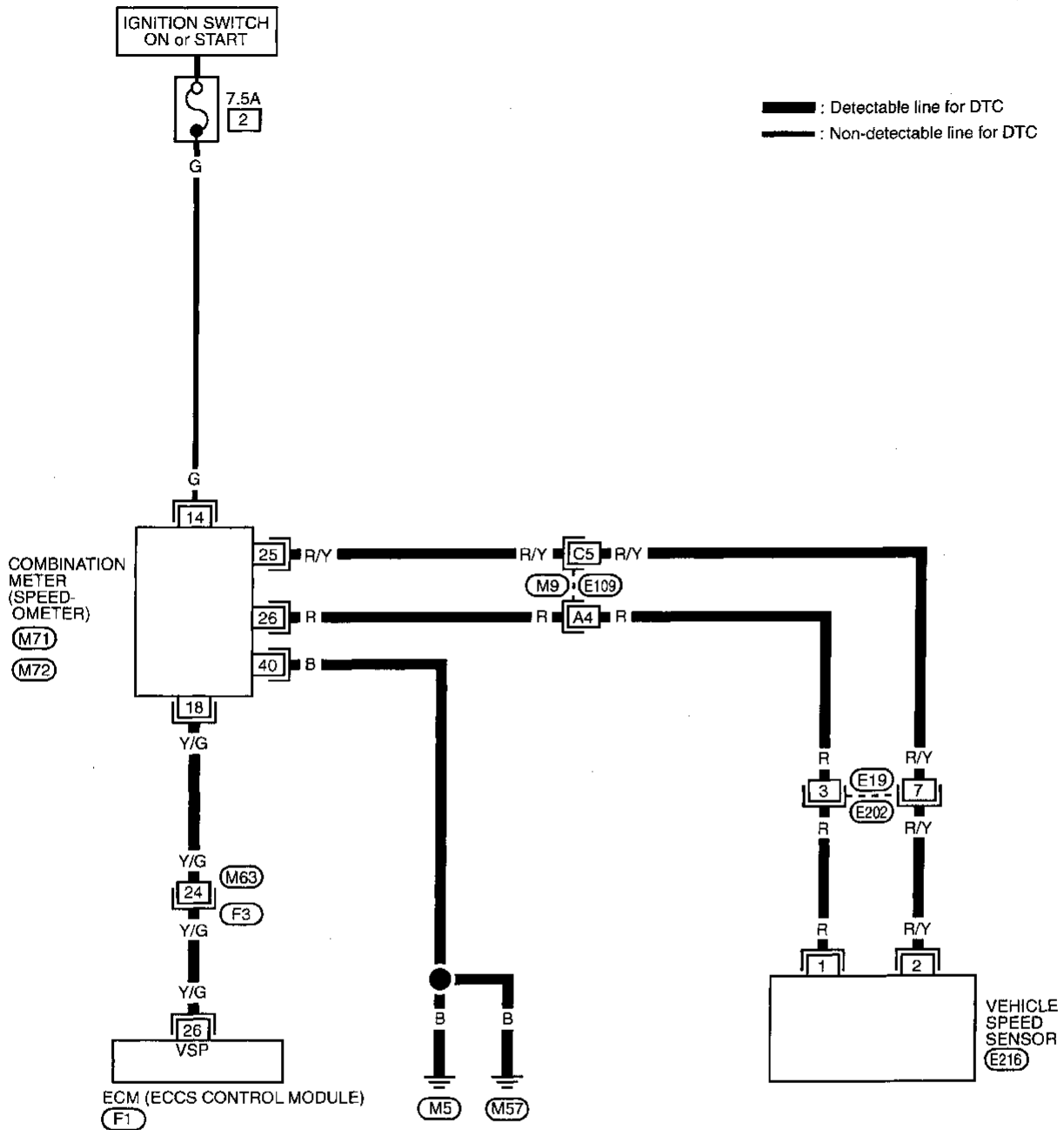
-
- ① 1) Jack up drive wheels.
2) Start engine.
3) Read the voltage signal between ECM terminal ② (Vehicle speed sensor signal) and ground with oscilloscope.
4) Verify that the oscilloscope screen shows the signal wave as shown at "ECM TERMINALS AND REFERENCE VALUE" on the previous page.



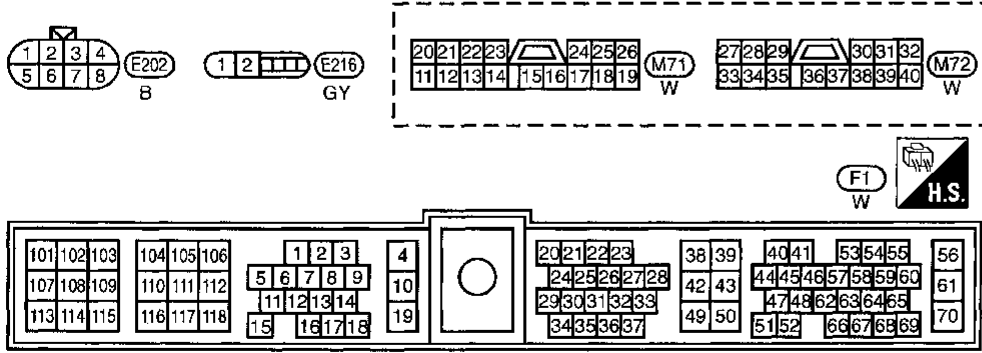
TROUBLE DIAGNOSIS FOR DTC P0500

Vehicle Speed Sensor (VSS) (Cont'd)

EC-VSS-01



GI
MA
EM
LC
EC
FE
CL
MT
AT
PD
FA
RA
BR
ST
RS
BT
HA
EL
IDX



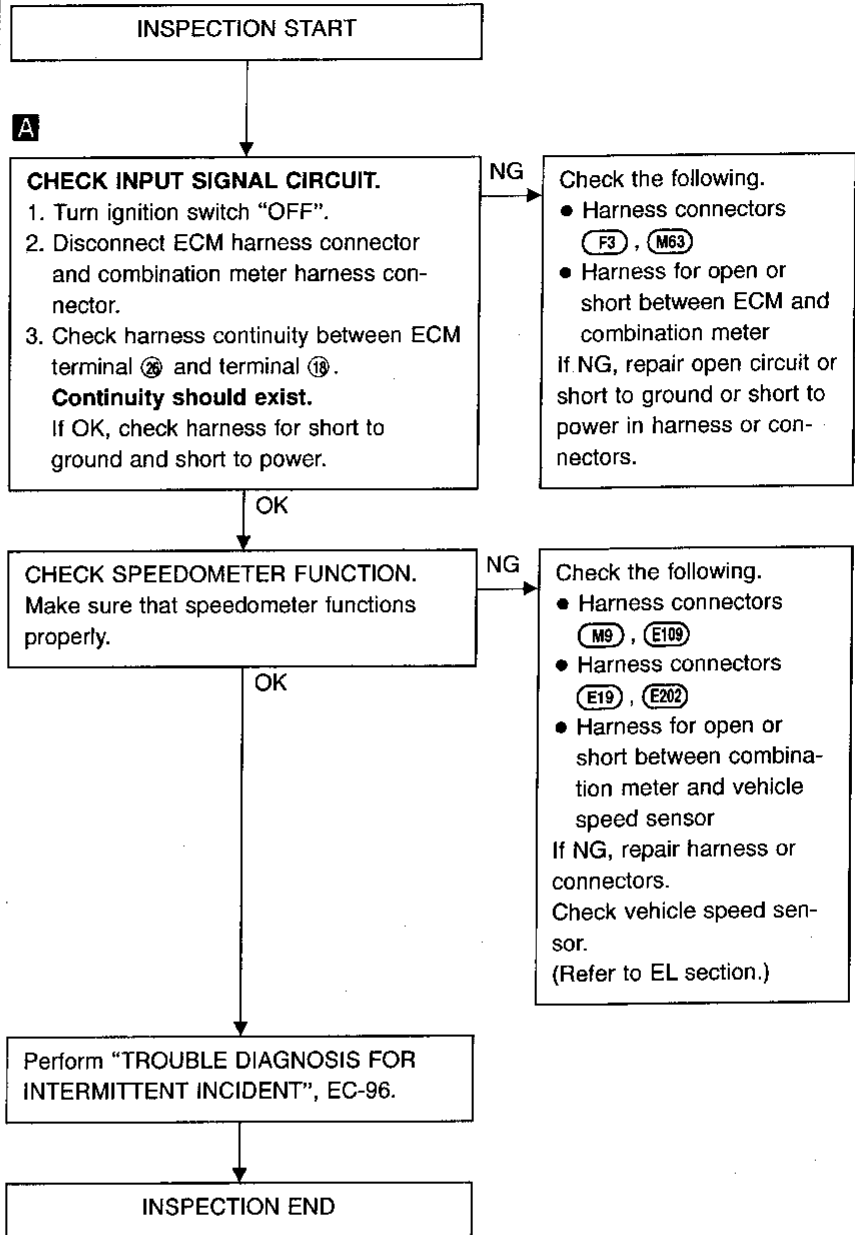
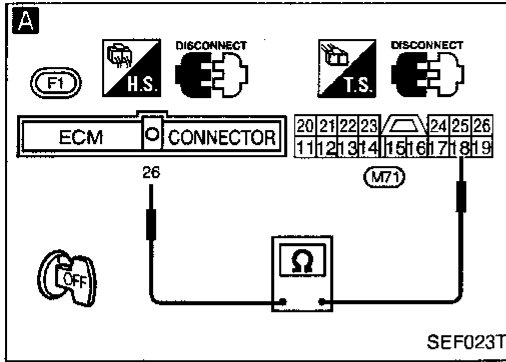
Refer to last page (Foldout page).

E109, M9
M63, F3

TROUBLE DIAGNOSIS FOR DTC P0500

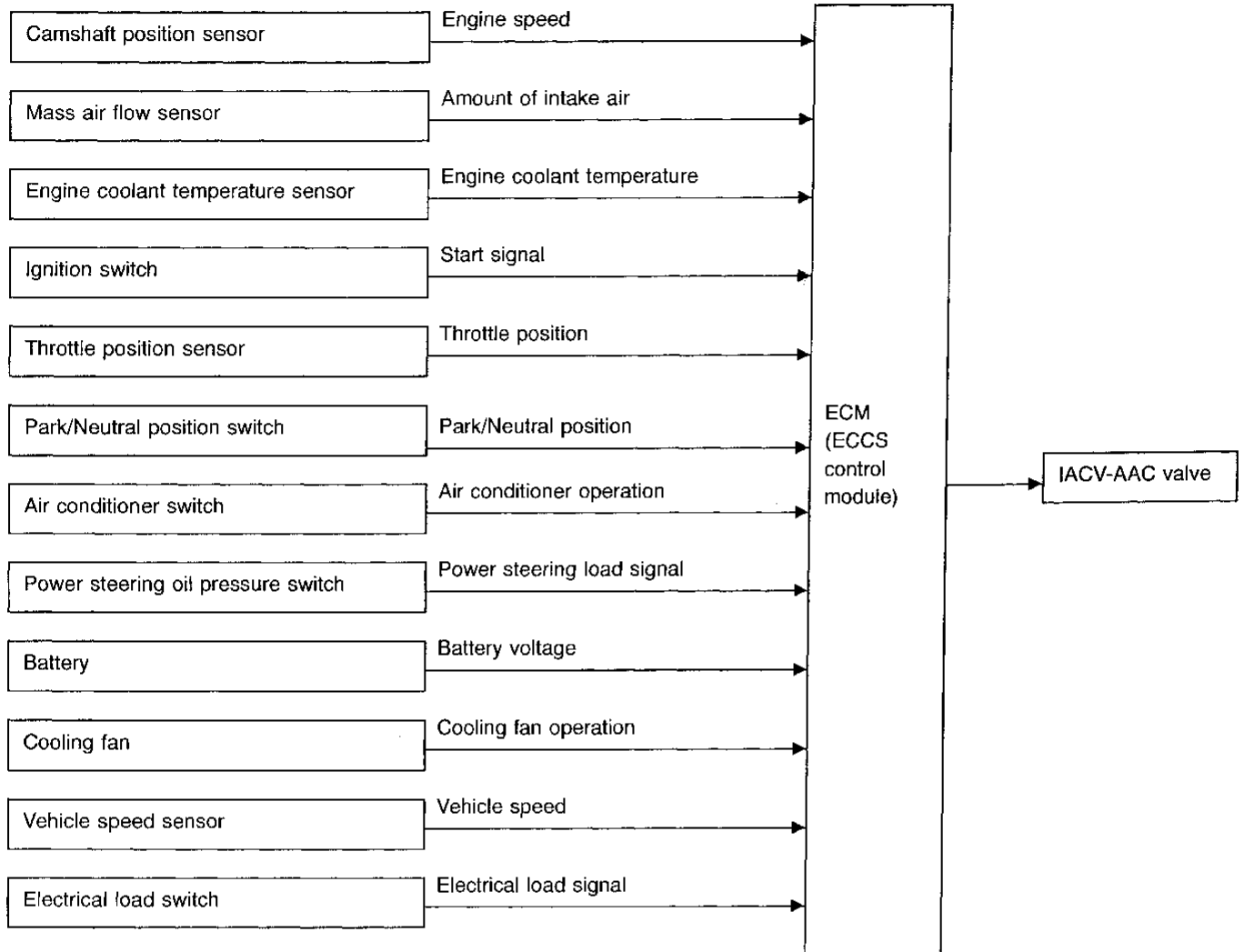
Vehicle Speed Sensor (VSS) (Cont'd)

DIAGNOSTIC PROCEDURE



Idle Air Control Valve (IACV) — Auxiliary Air Control (AAC) Valve

SYSTEM DESCRIPTION



This system automatically controls engine idle speed to a specified level. Idle speed is controlled through fine adjustment of the amount of air which bypasses the throttle valve via IACV-AAC valve. The IACV-AAC valve repeats ON/OFF operation according to the signal sent from the ECM. The camshaft position sensor detects the actual engine speed and sends a signal to the ECM. The ECM then controls the ON/OFF time of the IACV-AAC valve so that engine speed coincides with the target value memorized in ECM. The target engine speed is the lowest speed at which the engine can operate steadily. The optimum value stored in the ECM is determined by taking into consideration various engine conditions, such as during warm up, deceleration, and engine load (air conditioner and power steering).

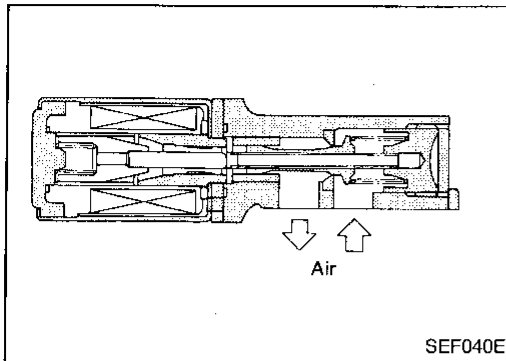
TROUBLE DIAGNOSIS FOR DTC P0505

Idle Air Control Valve (IACV) — Auxiliary Air Control (AAC) Valve (Cont'd)

COMPONENT DESCRIPTION

IACV-AAC valve

The IACV-AAC valve is moved by ON/OFF pulses from the ECM. The longer the ON pulse, the greater the amount of air that will flow through the valve. The more air that flows through the valve, the higher the idle speed.



CONSULT REFERENCE VALUE IN DATA MONITOR MODE

Specification data are reference values.

MONITOR ITEM	CONDITION	SPECIFICATION
IACV-AAC/V	<ul style="list-style-type: none"> • No-load 	0 - 50%
	<ul style="list-style-type: none"> • Engine: After warming up • Idle speed • Shift lever: "N" • Air conditioner switch: ON • Steering wheel: Fully turned • Rear window defogger switch: ON • Headlamp switch: ON 	70 - 100%

ECM TERMINALS AND REFERENCE VALUE

Specification data are reference values and are measured between each terminal and Ⓞ (ECCS ground).

TER-MINAL NO.	WIRE COLOR	ITEM	CONDITION	DATA (DC Voltage)
101	BR	IACV-AAC valve	Engine is running. (Warm-up condition) Idle speed	Approximately 12V
			Engine is running. (Warm-up condition) Engine speed is 2,000 rpm.	1 - 12V

ON BOARD DIAGNOSIS LOGIC

Diagnostic Trouble Code No.	Malfunction is detected when	Check Items (Possible Cause)
P0505 0205	A) The IACV-AAC valve does not operate properly.	<ul style="list-style-type: none"> • Harness or connectors (The IACV-AAC valve circuit is open.) • IACV-AAC valve
	B) The IACV-AAC valve does not operate properly.	<ul style="list-style-type: none"> • Harness or connectors (The IACV-AAC valve circuit is shorted.) • IACV-AAC valve

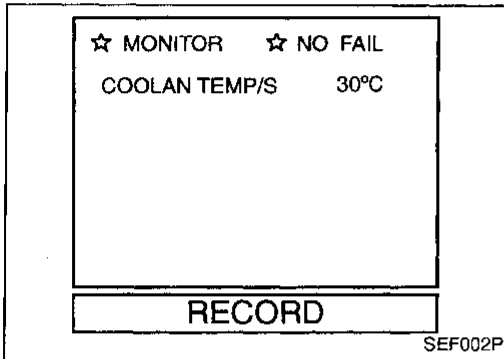
TROUBLE DIAGNOSIS FOR DTC P0505

Idle Air Control Valve (IACV) — Auxiliary Air Control (AAC) Valve (Cont'd)

DIAGNOSTIC TROUBLE CODE CONFIRMATION PROCEDURE

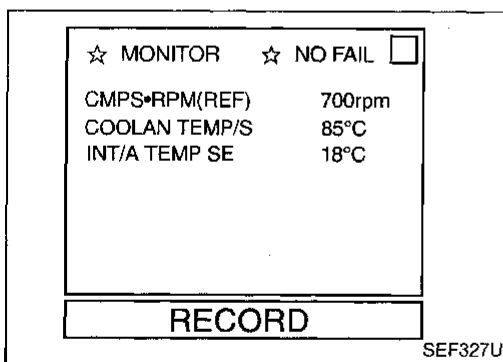
NOTE:

- If "DIAGNOSTIC TROUBLE CODE CONFIRMATION PROCEDURE" has been previously conducted, always turn ignition switch "OFF" and wait at least 5 seconds before conducting the next test.
- Perform "Procedure for malfunction A" first. If DTC cannot be confirmed, perform "Procedure for malfunction B".



Procedure for malfunction A

- 1) Turn ignition switch "ON".
2) Select "DATA MONITOR" mode with CONSULT.
3) Wait at least 2 seconds.
- OR
- 1) Turn ignition switch "ON" and wait at least 2 seconds.
2) Select "MODE 7" with GST.
- OR
- 1) Turn ignition switch "ON" and wait at least 2 seconds.
2) Turn ignition switch "OFF", wait at least 5 seconds and then turn "ON".
3) Perform "Diagnostic Test Mode II (Self-diagnostic results)" with ECM.



Procedure for malfunction B

- 1) Start engine and warm it up to normal operating temperature.
2) Turn ignition switch "OFF" and wait at least 5 seconds.
3) Turn ignition switch "ON" again and select "DATA MONITOR" mode with CONSULT.
4) Start engine and run it for at least 1 minute at idle speed.
- OR
- 1) Start engine and warm it up to normal operating temperature.
2) Turn ignition switch "OFF" and wait at least 5 seconds.
3) Start engine again and run it for at least 1 minute at idle speed.
4) Select "MODE 7" with GST.

TROUBLE DIAGNOSIS FOR DTC P0505

Idle Air Control Valve (IACV) — Auxiliary Air Control (AAC) Valve (Cont'd)

OR

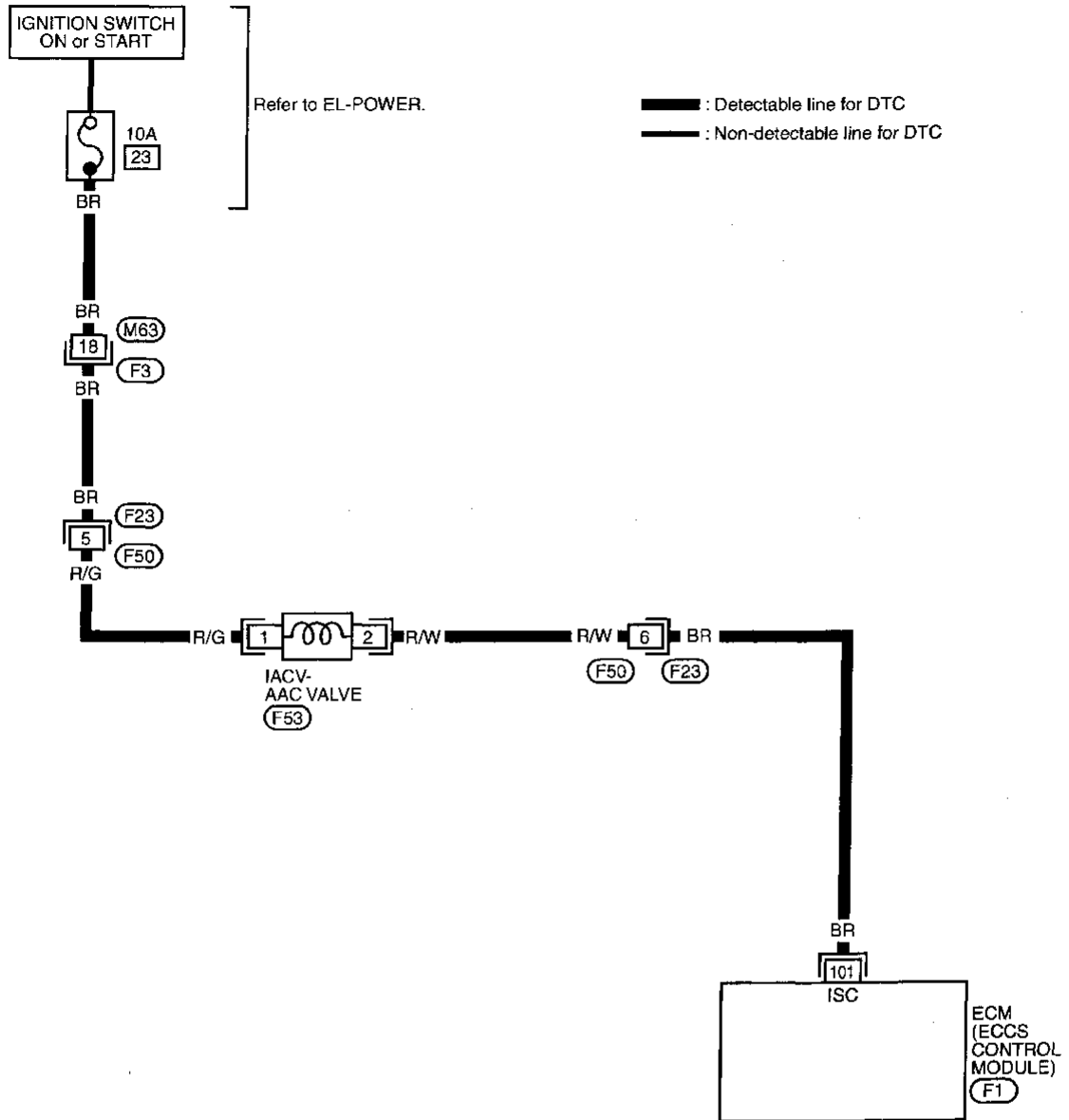


- 1) Start engine and warm it up to normal operating temperature.
- 2) Turn ignition switch "OFF" and wait at least 5 seconds.
- 3) Start engine again and run it for at least 1 minute at idle speed.
- 4) Turn ignition switch "OFF", wait at least 5 seconds and then turn "ON".
- 5) Perform "Diagnostic Test Mode II (Self-diagnostic results)" with ECM.

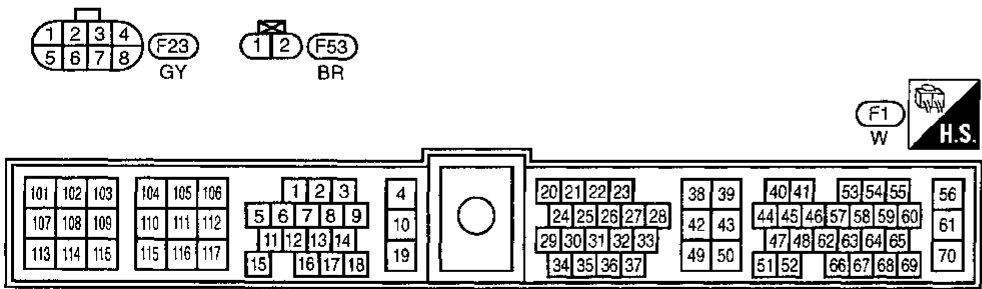
TROUBLE DIAGNOSIS FOR DTC P0505

Idle Air Control Valve (IACV) — Auxiliary Air Control (AAC) Valve (Cont'd)

EC-AAC/V-01



GI
MA
EM
LC
EC
FE
CL
MT
AT
PD
FA
RA
BR
ST
RS
BT
HA
EL
IDX

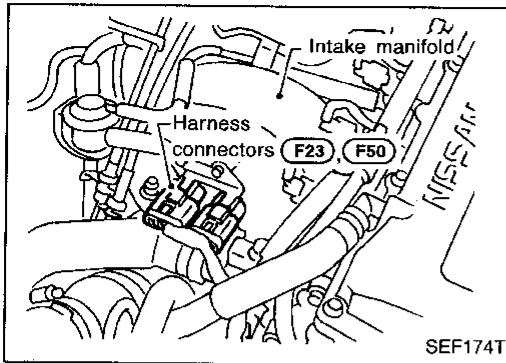


Refer to last page (Foldout page).
M63, F3

TROUBLE DIAGNOSIS FOR DTC P0505

Idle Air Control Valve (IACV) — Auxiliary Air Control (AAC) Valve (Cont'd)

DIAGNOSTIC PROCEDURE



INSPECTION START

A

CHECK POWER SUPPLY.

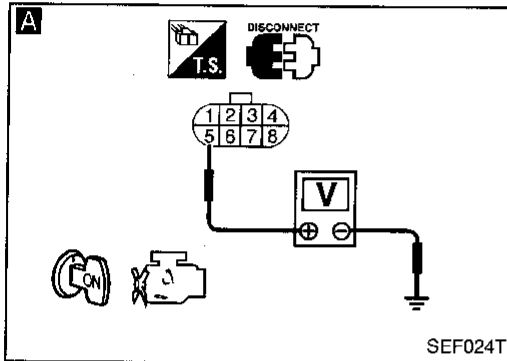
1. Turn ignition switch "OFF".
2. Disconnect harness connectors (F23), (F50).
3. Turn ignition switch "ON".
4. Check voltage between terminal (5) and ground with CONSULT or tester.

Voltage: Battery voltage

NG → Check the following.

- Harness connectors (F3), (M63)
- Harness connectors (F23), (F50)
- 10A fuse
- Harness for open or short between harness connector (F23) and fuse

If NG, repair harness or connectors.



B

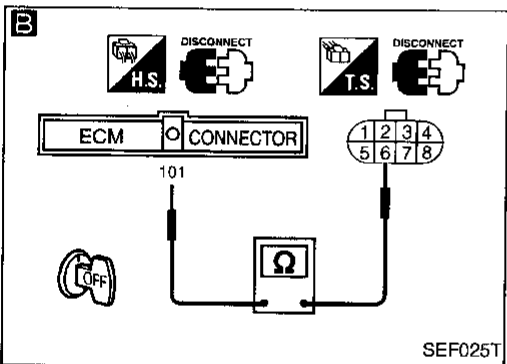
CHECK OUTPUT SIGNAL CIRCUIT.

1. Turn ignition switch "OFF".
2. Disconnect ECM harness connector.
3. Check harness continuity between ECM terminal (101) and terminal (6).

Continuity should exist.

If OK, check harness for short to ground and short to power.

NG → Repair harness or connectors.



C

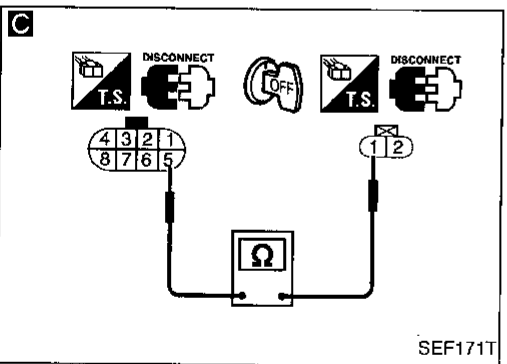
CHECK HARNESS CONTINUITY.

1. Disconnect IACV-AAC valve harness connector.
2. Check harness continuity between harness connector (F50) terminal (5) and IACV-AAC valve terminal (1), harness connector (F50) terminal (6) and IACV-AAC valve terminal (2).

Continuity should exist.

If OK, check harness for short to ground and short to power.

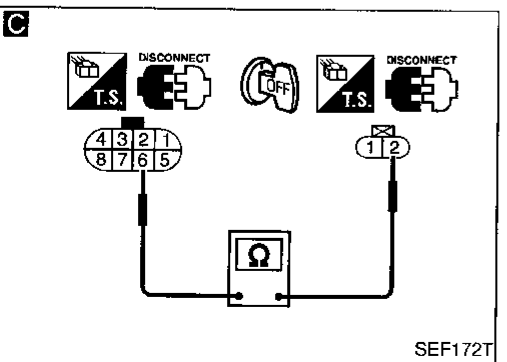
NG → Repair harness or connectors.



CHECK COMPONENT (IACV-AAC valve).

Refer to "COMPONENT INSPECTION" on next page.

NG → Replace IACV-AAC valve.



OK

Perform "TROUBLE DIAGNOSIS FOR INTERMITTENT INCIDENT", EC-96.

INSPECTION END

TROUBLE DIAGNOSIS FOR DTC P0505

Idle Air Control Valve (IACV) — Auxiliary Air Control (AAC) Valve (Cont'd)

COMPONENT INSPECTION

IACV-AAC valve

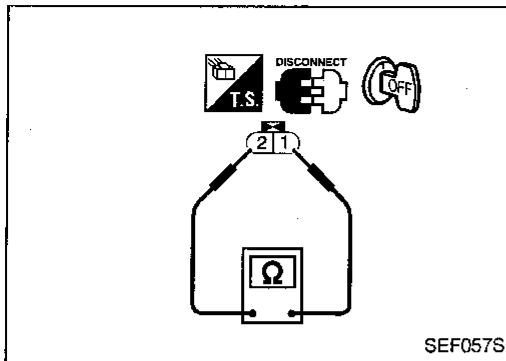
Disconnect IACV-AAC valve harness connector.

- Check IACV-AAC valve resistance.

Resistance:

10 Ω [at 25°C (77°F)]

- Check plunger for seizing or sticking.
- Check for broken spring.



GI

MA

EM

LC

EC

FE

CL

MT

AT

PD

FA

RA

BR

ST

RS

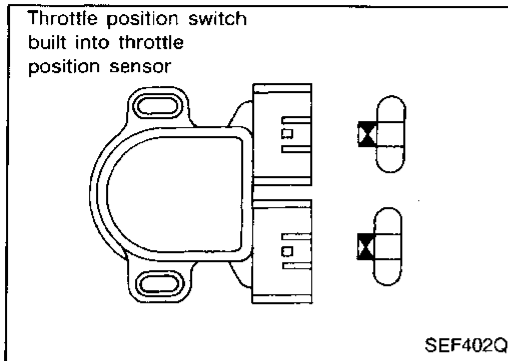
BT

HA

EL

IDX

TROUBLE DIAGNOSIS FOR DTC P0510



Closed Throttle Position Switch

COMPONENT DESCRIPTION

A closed throttle position switch and wide open throttle position switch are built into the throttle position sensor unit. The wide open throttle position switch is used only for A/T control.

When the throttle valve is in the closed position, the closed throttle position switch sends a voltage signal to the ECM. The ECM only uses this signal to open or close the EVAP canister purge control valve when the throttle position sensor is malfunctioning.

ECM TERMINALS AND REFERENCE VALUE

Specification data are reference values and are measured between each terminal and Ⓒ (ECCS ground).

TER-MINAL NO.	WIRE COLOR	ITEM	CONDITION	DATA (DC Voltage)
27	LG	Throttle position switch (Closed position)	Ignition switch "ON" (Warm-up condition) └ Accelerator pedal fully released	BATTERY VOLTAGE (11 - 14V)
			Ignition switch "ON" └ Accelerator pedal depressed	Approximately 0V

ON BOARD DIAGNOSIS LOGIC

Diagnostic Trouble Code No.	Malfunction is detected when	Check Items (Possible Cause)
P0510 0203	<ul style="list-style-type: none"> Battery voltage from the closed throttle position switch is sent to ECM with the throttle valve opened. 	<ul style="list-style-type: none"> Harness or connectors (The closed throttle position switch circuit is shorted.) Closed throttle position switch Throttle position sensor

TROUBLE DIAGNOSIS FOR DTC P0510

Closed Throttle Position Switch (Cont'd)

DIAGNOSTIC TROUBLE CODE CONFIRMATION PROCEDURE

CAUTION:

Always drive vehicle at a safe speed.

NOTE:

If "DIAGNOSTIC TROUBLE CODE CONFIRMATION PROCEDURE" has been previously conducted, always turn ignition switch "OFF" and wait at least 5 seconds before conducting the next test.



1) Start engine and warm it up to normal operating temperature.

2) Check voltage between ECM terminal ②7 and ground under the following conditions.

At idle: Battery voltage

At 2,000 rpm: 0 - 1V

If the check result is NG, go to "DIAGNOSTIC PROCEDURE", EC-301.

If OK, go to following step.

3) Select "DATA MONITOR" mode with CONSULT.

4) Drive the vehicle for at least 5 consecutive seconds under the following condition.

THRTL POS SEN: More than 2.5V

VHCL SPEED SE: More than 4 km/h (2 MPH)

Selector lever: Suitable position

Driving pattern: Driving vehicle uphill (Increased engine load) will help maintain the driving conditions required for this test.

OR

OVERALL FUNCTION CHECK

Use this procedure to check the overall function of the closed throttle position switch circuit. During this check, a 1st trip DTC might not be confirmed.

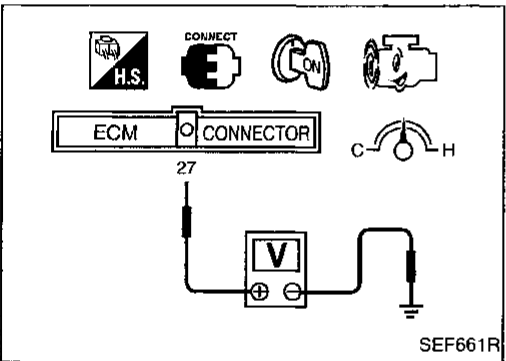
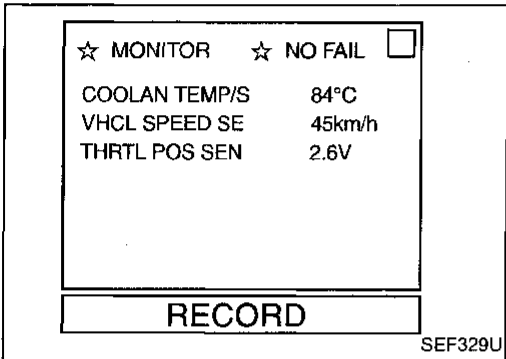
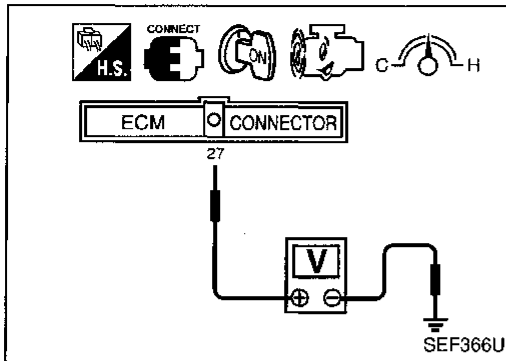


1) Start engine and warm it up to normal operating temperature.

2) Check the voltage between ECM terminal ②7 and ground under the following conditions.

At idle: Battery voltage

At 2,000 rpm: Approximately 0V



GI

MA

EM

LC

EC

FE

CL

MT

AT

PD

FA

RA

BR

ST

RS

BT

HA

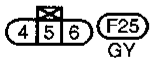
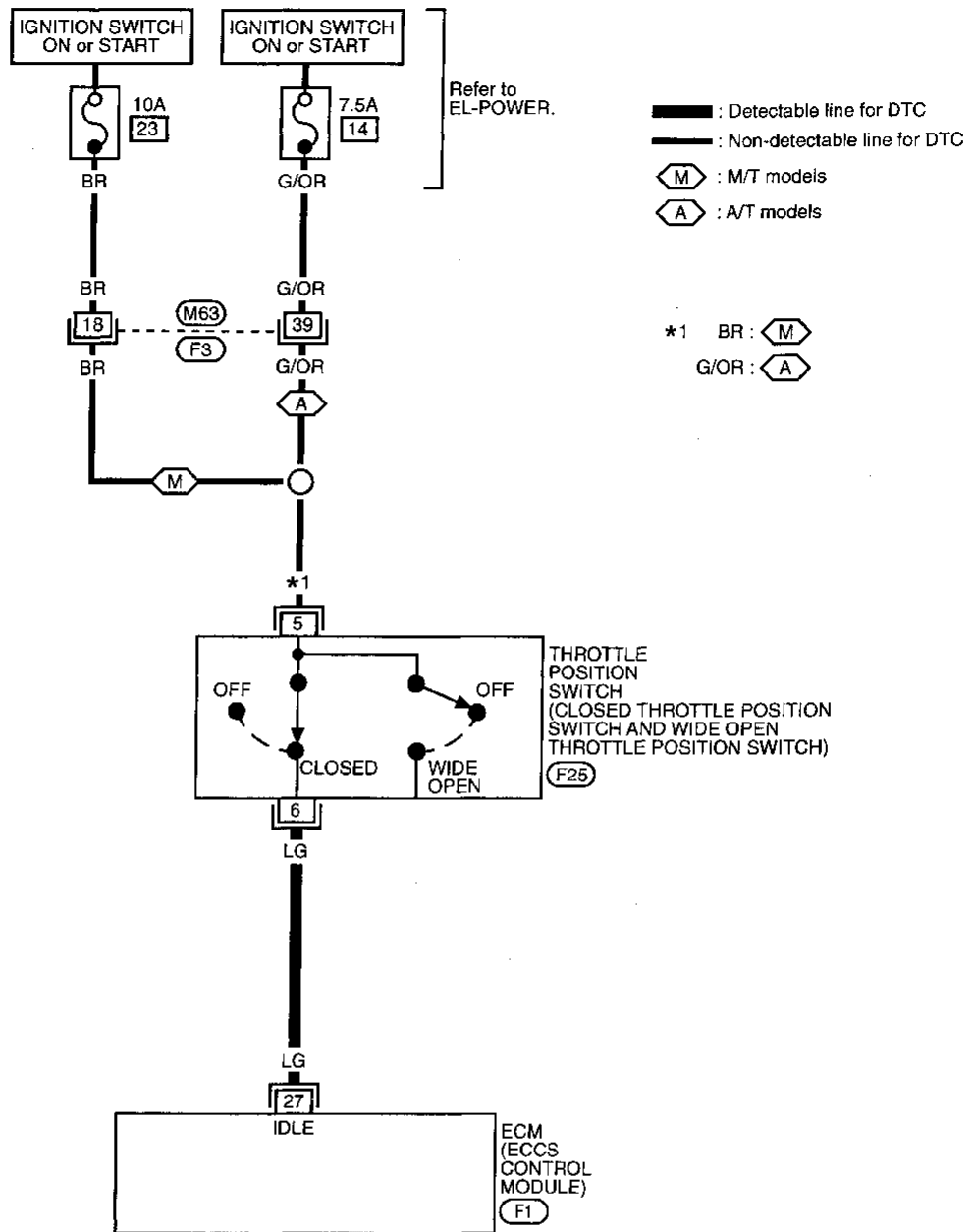
EL

IDX

TROUBLE DIAGNOSIS FOR DTC P0510

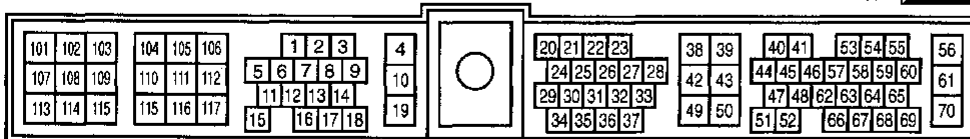
Closed Throttle Position Switch (Cont'd)

EC-TP/SW-01



Refer to last page (Foldout page).

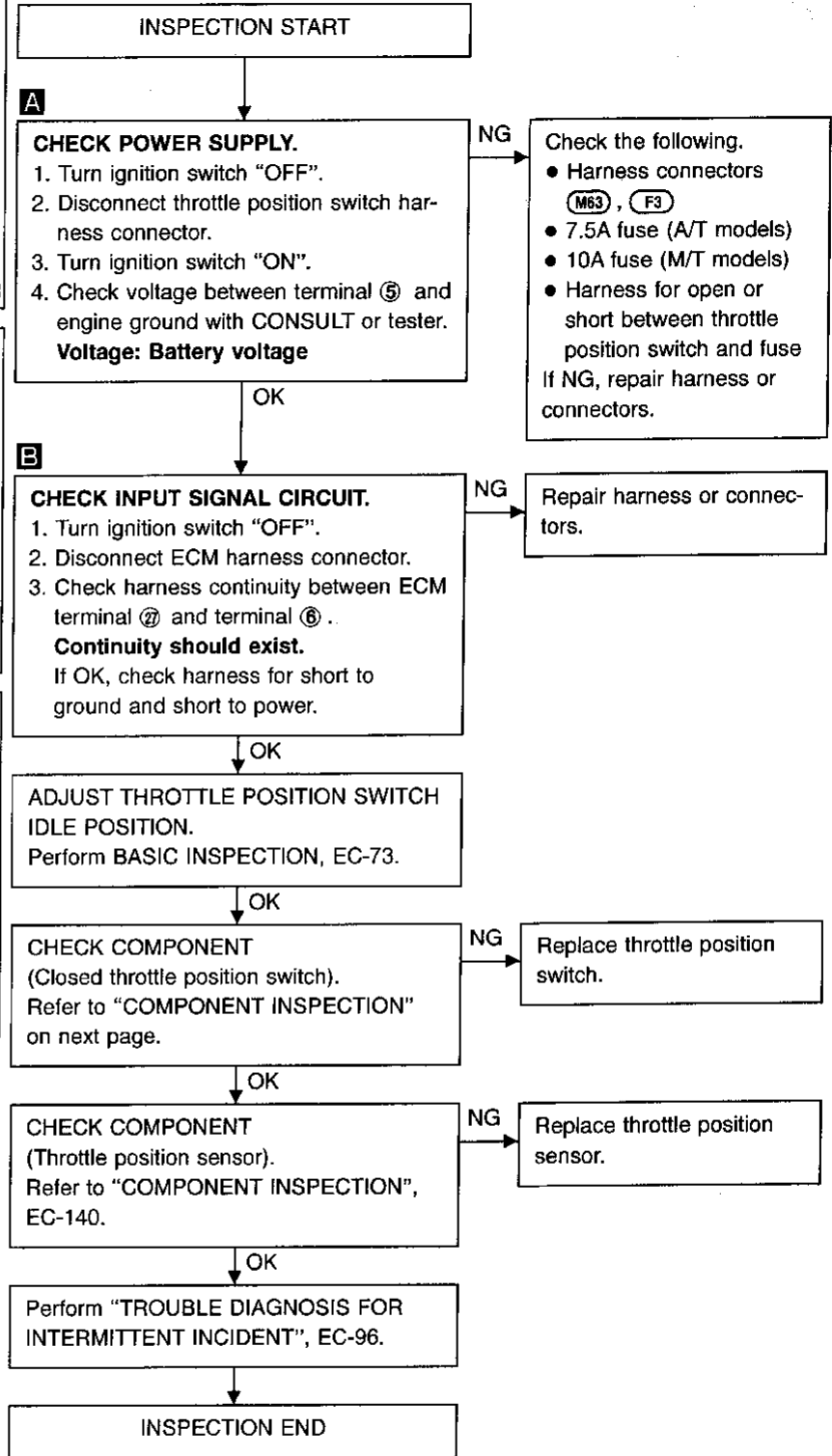
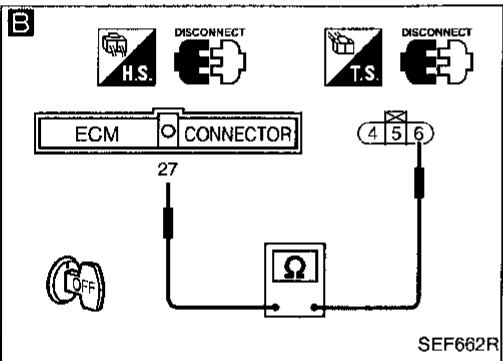
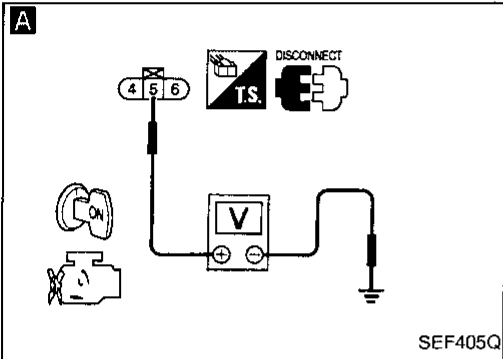
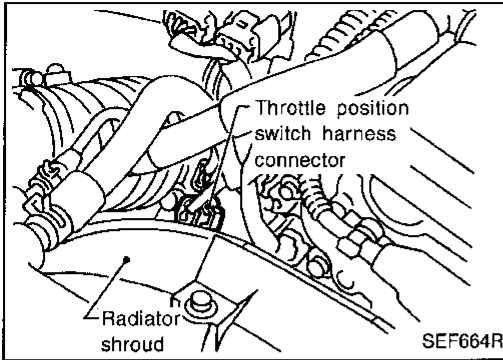
M63 , F3



TROUBLE DIAGNOSIS FOR DTC P0510

Closed Throttle Position Switch (Cont'd)

DIAGNOSTIC PROCEDURE



GI
MA
EM
LC
EC
FE
CL
MT
AT
PD
FA
RA
BR
ST
RS
BT
HA
EL
IDX

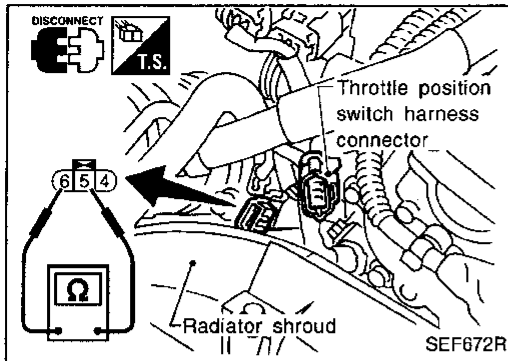
TROUBLE DIAGNOSIS FOR DTC P0510

Closed Throttle Position Switch (Cont'd)

COMPONENT INSPECTION

Closed throttle position switch

1. Start engine and warm it up to normal operating temperature.
2. Turn ignition switch "OFF".
3. Disconnect throttle position switch harness connector.
4. Check continuity between terminals ⑤ and ⑥ while opening throttle valve manually.



Throttle valve conditions	Continuity
Completely closed	Yes
Partially open or completely open	No

If NG, replace throttle position switch.

TROUBLE DIAGNOSIS FOR DTC P0600

A/T Control

COMPONENT DESCRIPTION

These circuit lines are used to control the smooth shifting up and down of A/T during the hard acceleration/ deceleration.

Voltage signals are exchanged between ECM and TCM (Transmission control module).

ECM TERMINALS AND REFERENCE VALUE

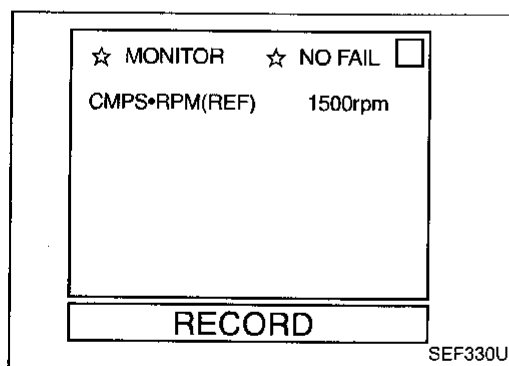
Specification data are reference values and are measured between each terminal and Ⓒ (ECCS ground).

TER-MINAL NO.	WIRE COLOR	ITEM	CONDITION	DATA (DC Voltage)
24	L/G	A/T signal No. 1	Ignition switch "ON" Engine is running. └ Idle speed	6 - 8V
29	L/W	A/T signal No. 2	Ignition switch "ON" Engine is running. └ Idle speed	6 - 8V
30	L/R	A/T signal No. 3	Ignition switch "ON"	0V

ON BOARD DIAGNOSIS LOGIC

Diagnostic Trouble Code No.	Malfunction is detected when ...	Check Item (Possible Cause)
P0600*	• ECM receives incorrect voltage from TCM (Transmission control module) continuously.	• Harness or connectors (The circuit between ECM and TCM is open or shorted.)

*: This DTC can be detected only by "DATA MONITOR (AUTO TRIG)" with CONSULT.



DIAGNOSTIC TROUBLE CODE CONFIRMATION PROCEDURE

NOTE:

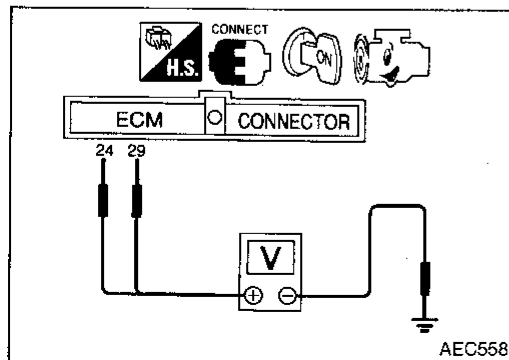
If "DIAGNOSTIC TROUBLE CODE CONFIRMATION PROCEDURE" has been previously conducted, always turn ignition switch "OFF" and wait at least 5 seconds before conducting the next test.

- 1) Turn ignition switch "ON".
- 2) Select "DATA MONITOR" mode with CONSULT.
- 3) Start engine and race more than 1,000 rpm once, then let it idle for more than 40 seconds.

OVERALL FUNCTION CHECK

Use this procedure to check the overall function of the A/T control. During this check, a DTC might not be confirmed.

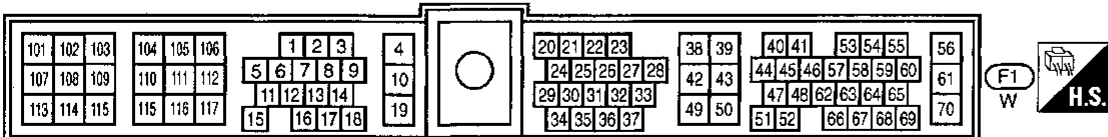
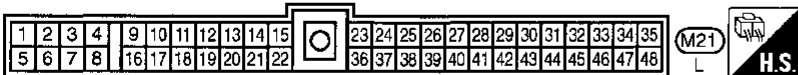
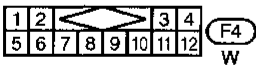
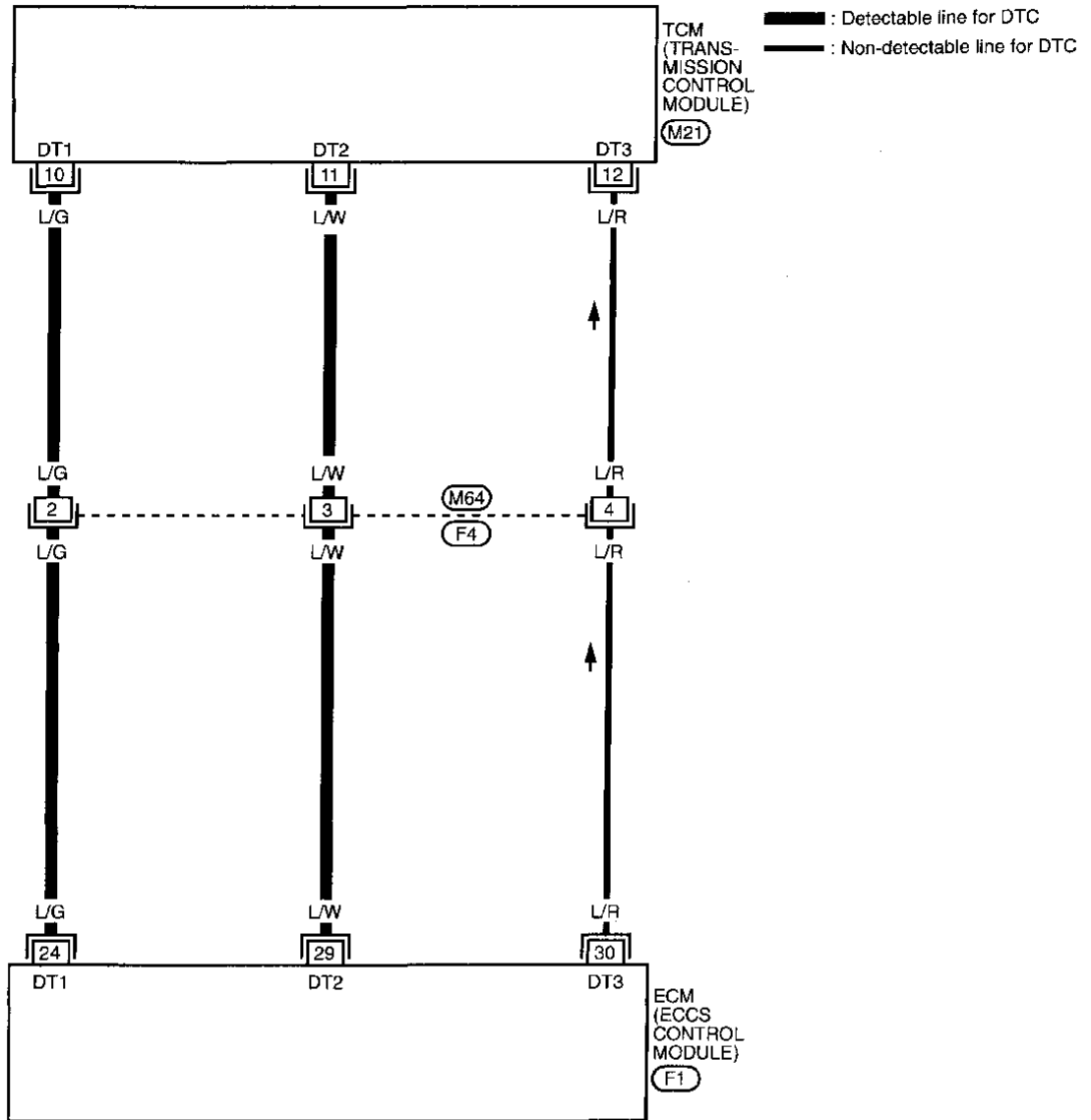
- 1) Turn ignition switch "ON".
- 2) Start engine.
- 3) Check voltage between
ECM terminal 24 and ground.
ECM terminal 29 and ground.
Voltage: Approximately 7V



TROUBLE DIAGNOSIS FOR DTC P0600

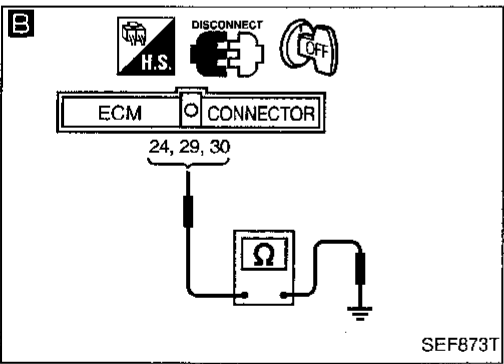
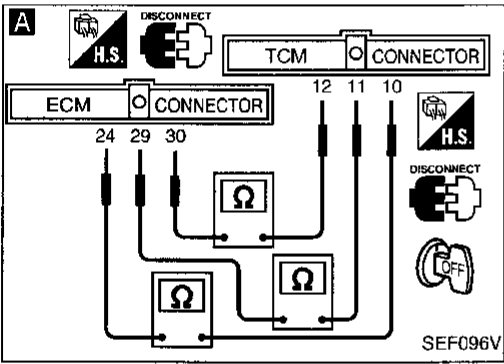
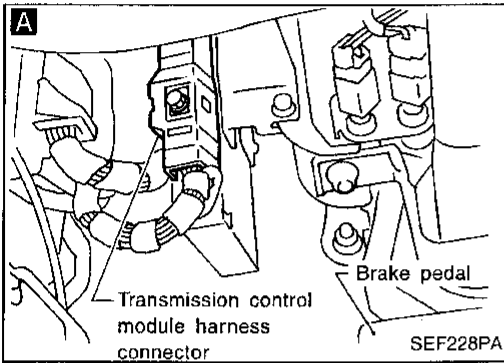
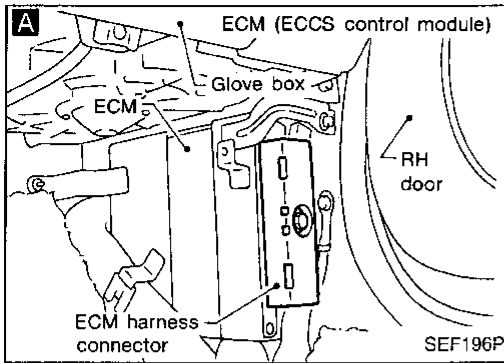
A/T Control (Cont'd)

EC-AT/C-01



TROUBLE DIAGNOSIS FOR DTC P0600

A/T Control (Cont'd) DIAGNOSTIC PROCEDURE



INSPECTION START

A
CHECK INPUT SIGNAL CIRCUIT.
1. Turn ignition switch "OFF".
2. Disconnect ECM harness connector and TCM harness connector.
3. Check harness continuity between ECM terminal 24 and terminal 10, ECM terminal 29 and terminal 11, ECM terminal 30 and terminal 12.
Continuity should exist.

NG → Check the following.
● Harness connectors
● F4, M64
● Harness for open or short between ECM and TCM
If NG, repair open circuit or short to ground or short to power in harness.

B
CHECK INPUT SIGNAL CIRCUIT.
Check harness continuity between ECM terminal 24 and ground, ECM terminal 29 and ground, ECM terminal 30 and ground.
Continuity should not exist.
If OK, check harness for short to ground and short to power.

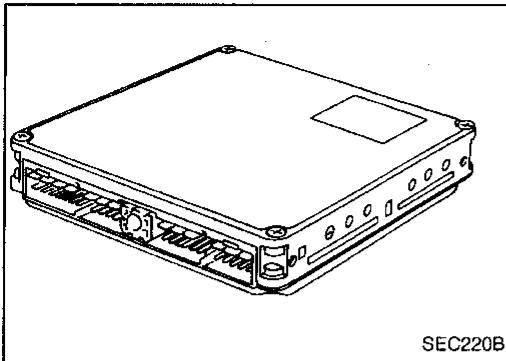
NG → Check the harness for open or short between ECM and TCM.
If NG, repair open circuit or short to ground or short to power in harness.

OK → Perform "TROUBLE DIAGNOSIS FOR INTERMITTENT INCIDENT", EC-96.

INSPECTION END

GI
MA
EM
LC
EC
FE
CL
MT
AT
PD
FA
RA
BR
ST
RS
BT
HA
EL
IDX

TROUBLE DIAGNOSIS FOR DTC P0605



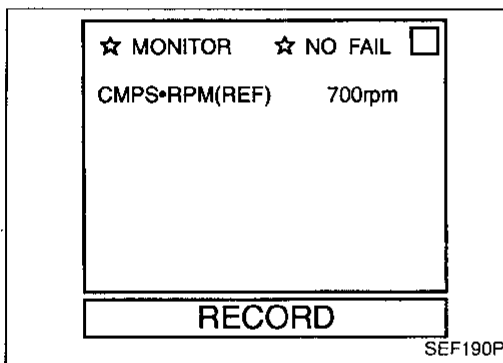
Engine Control Module (ECM)-ECCS Control Module

COMPONENT DESCRIPTION

The ECM consists of a microcomputer, diagnostic test mode selector, and connectors for signal input and output and for power supply. The unit controls the engine.

ON BOARD DIAGNOSIS LOGIC

Diagnostic Trouble Code No.	Malfunction is detected when	Check Item (Possible Cause)
P0605 0301	<ul style="list-style-type: none"> ● ECM calculation function is malfunctioning. 	<ul style="list-style-type: none"> ● ECM (ECCS control module)



DIAGNOSTIC TROUBLE CODE CONFIRMATION PROCEDURE

NOTE:

If "DIAGNOSTIC TROUBLE CODE CONFIRMATION PROCEDURE" has been previously conducted, always turn ignition switch "OFF" and wait at least 5 seconds before conducting the next test.



- 1) Turn ignition switch "ON".
- 2) Select "DATA MONITOR" mode with CONSULT.
- 3) Start engine.
- 4) Run engine for at least 30 seconds at idle speed.

OR



- 1) Turn ignition switch "ON".
- 2) Start engine.
- 3) Run engine for at least 30 seconds at idle speed.
- 4) Select "Mode 7" with GST.

OR

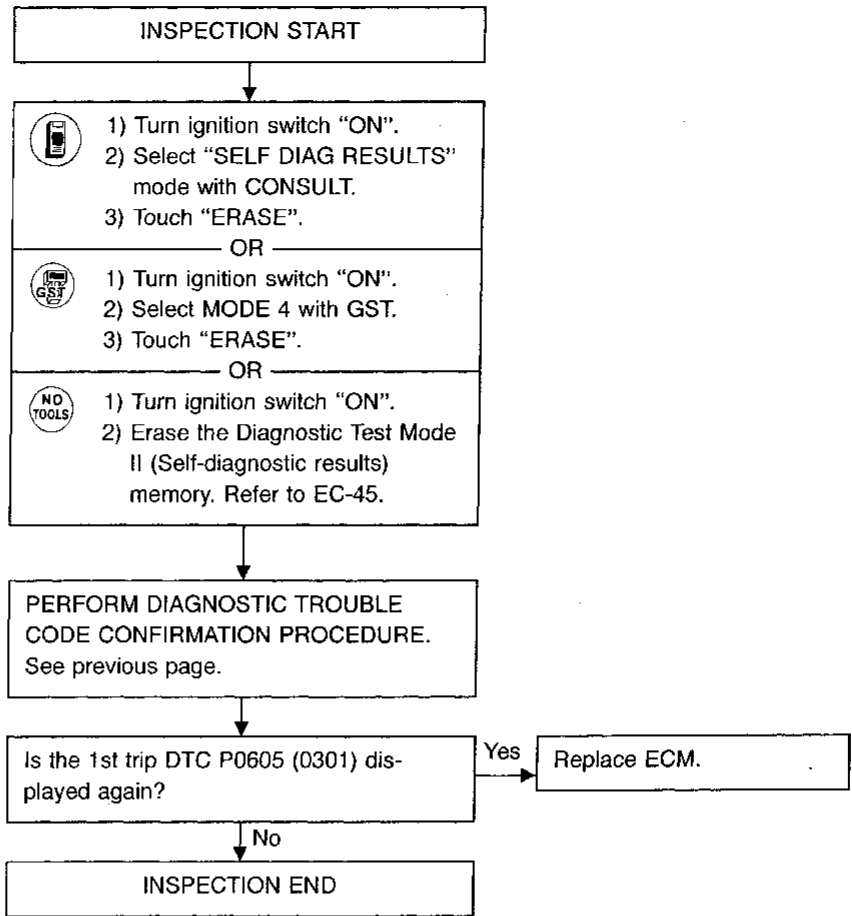


- 1) Turn ignition switch "ON".
- 2) Start engine and wait at least 30 seconds.
- 3) Turn ignition switch "OFF", wait at least 5 seconds and then turn "ON".
- 4) Perform "Diagnostic Test Mode II" (Self-diagnostic results) with ECM.

TROUBLE DIAGNOSIS FOR DTC P0605

Engine Control Module (ECM)-ECCS Control Module (Cont'd)

DIAGNOSTIC PROCEDURE

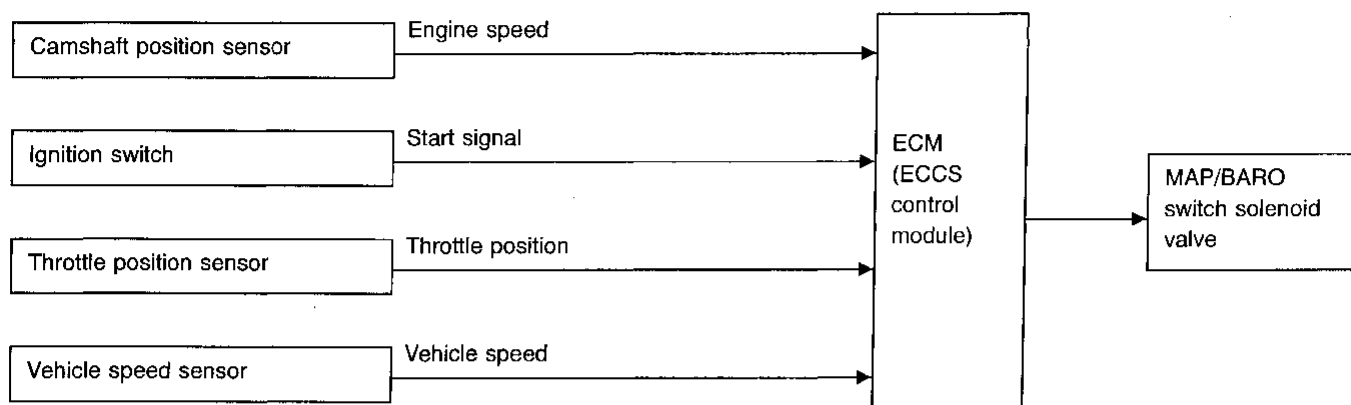


GI
MA
EM
LC
EC
FE
CL
MT
AT
PD
FA
RA
BR
ST
RS
BT
HA
EL
IDX

TROUBLE DIAGNOSIS FOR DTC P1105

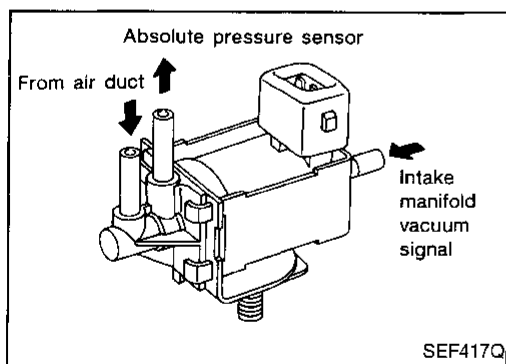
Manifold Absolute Pressure (MAP)/ Barometric Pressure (BARO) Switch Solenoid Valve

SYSTEM DESCRIPTION



This system allows the absolute pressure sensor to monitor either ambient barometric pressure or intake manifold pressure. The MAP/BARO switch solenoid valve switches between two passages by ON-OFF pulse signals from the ECM. (One passage is from the intake air duct, the other is from the intake manifold.) Either ambient barometric pressure or intake manifold pressure is applied to the absolute pressure sensor.

Solenoid	Conditions
ON	<ul style="list-style-type: none"> For 5 seconds after turning ignition switch ON (Engine is not running.) <p style="text-align: center;">OR</p> <ul style="list-style-type: none"> For 5 seconds after starting engine <p style="text-align: center;">OR</p>
	<ul style="list-style-type: none"> More than 5 minutes after the solenoid valve shuts OFF. <p style="text-align: center;">and</p> <ul style="list-style-type: none"> Throttle valve is shut or almost fully shut for more than 5 seconds <p style="text-align: center;">and</p> <ul style="list-style-type: none"> Vehicle speed is less than 100 km/h (62 MPH).



COMPONENT DESCRIPTION

The MAP/BARO switch solenoid valve switches its air flow passage according to the voltage signal sent from the ECM. When voltage is supplied from the ECM, the MAP/BARO switch solenoid turns "ON". Then, the absolute pressure sensor can monitor the ambient barometric pressure. When voltage is not supplied from the ECM, the MAP/BARO switch solenoid valve turns "OFF". Then, the sensor monitors intake manifold pressure.

CONSULT REFERENCE VALUE IN DATA MONITOR MODE

Specification data are reference values.

MONITOR ITEM	CONDITION	SPECIFICATION
MAP/BARO SW/V	<ul style="list-style-type: none"> For 5 seconds after starting engine 	BARO
	<ul style="list-style-type: none"> More than 5 seconds after starting engine 	MAP

TROUBLE DIAGNOSIS FOR DTC P1105

Manifold Absolute Pressure (MAP)/ Barometric Pressure (BARO) Switch Solenoid Valve (Cont'd)

ECM TERMINALS AND REFERENCE VALUE

Specification data are reference values and are measured between each terminal and Ⓞ (ECCS ground).

TER-MINAL NO.	WIRE COLOR	ITEM	CONDITION	DATA (DC Voltage)
69	Y/B	MAP/BARO switch solenoid valve	Ignition switch "ON" └ For 5 seconds after turning ignition switch "ON" Engine is running. └ For 5 seconds after starting engine	Approximately 0V
			Ignition switch "ON" └ More than 5 seconds after turning ignition switch "ON" Engine is running. └ More than 5 seconds after starting engine	BATTERY VOLTAGE (11 - 14V)

ON BOARD DIAGNOSIS LOGIC

Diagnostic Trouble Code No.	Malfunction is detected when	Check Items (Possible Cause)
P1105 1302	A) MAP/BARO switch solenoid valve receives the voltage supplied though ECM does not supply the voltage to the valve. B) There is little difference between MAP/BARO switch solenoid valve input voltage at ambient barometric pressure and voltage at intake manifold pressure.	<ul style="list-style-type: none"> ● Harness or connectors (MAP/BARO switch solenoid valve circuit is open or shorted.) ● MAP/BARO switch solenoid valve ● Harness or connectors (MAP/BARO switch solenoid valve circuit is open or shorted.) ● Hoses (Hoses are clogged, vent, kinked, disconnected or improper connection.) ● Absolute pressure sensor ● MAP/BARO switch solenoid valve

☆ MONITOR
☆ NO FAIL

CMPS-RPM(REF)	700rpm
COOLAN TEMP/S	85°C

RECORD

SEF230U

DIAGNOSTIC TROUBLE CODE CONFIRMATION PROCEDURE

Perform "Procedure for malfunction A" first. If the 1st trip DTC cannot be confirmed, perform "Procedure for malfunction B".

NOTE:

If "DIAGNOSTIC TROUBLE CODE CONFIRMATION PROCEDURE" has been previously conducted, always turn ignition switch "OFF" and wait at least 5 seconds before conducting the next test.

GI
MA
EM
LC
EC
FE
CL
MT
AT
PD
FA
RA
BR
ST
RS
BT
HA
EL
IDX




TROUBLE DIAGNOSIS FOR DTC P1105

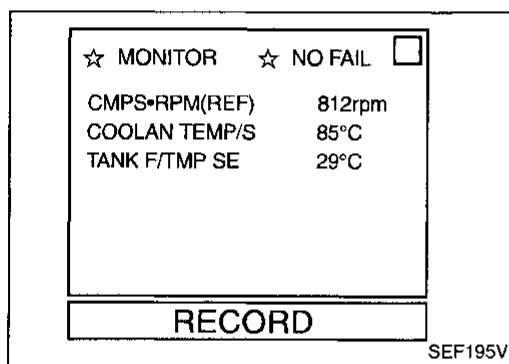
Manifold Absolute Pressure (MAP)/ Barometric Pressure (BARO) Switch Solenoid Valve (Cont'd)

Procedure for malfunction A




TESTING CONDITION:

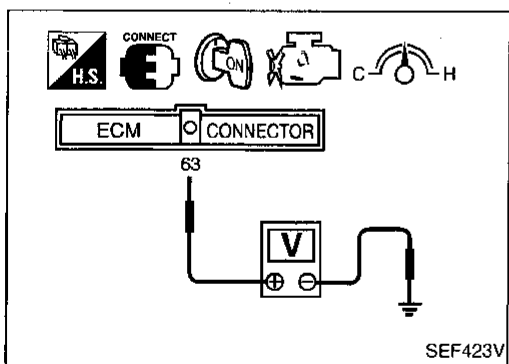
Before performing the following procedure, confirm that battery voltage is more than 11V.

- 
 - 1) Turn ignition switch "ON" and select "DATA MONITOR" mode with CONSULT.
 - 2) Wait at least 10 seconds.
- OR
- 
 - 1) Turn ignition switch "ON" and wait at least 10 seconds.
 - 2) Select "MODE 7" with GST.
- OR
- 
 - 1) Turn ignition switch "ON" and wait at least 10 seconds.
 - 2) Turn ignition switch "OFF", wait at least 5 seconds and then turn "ON".
 - 3) Perform "Diagnostic Test Mode II (Self-diagnostic results)" with ECM.



Procedure for malfunction B

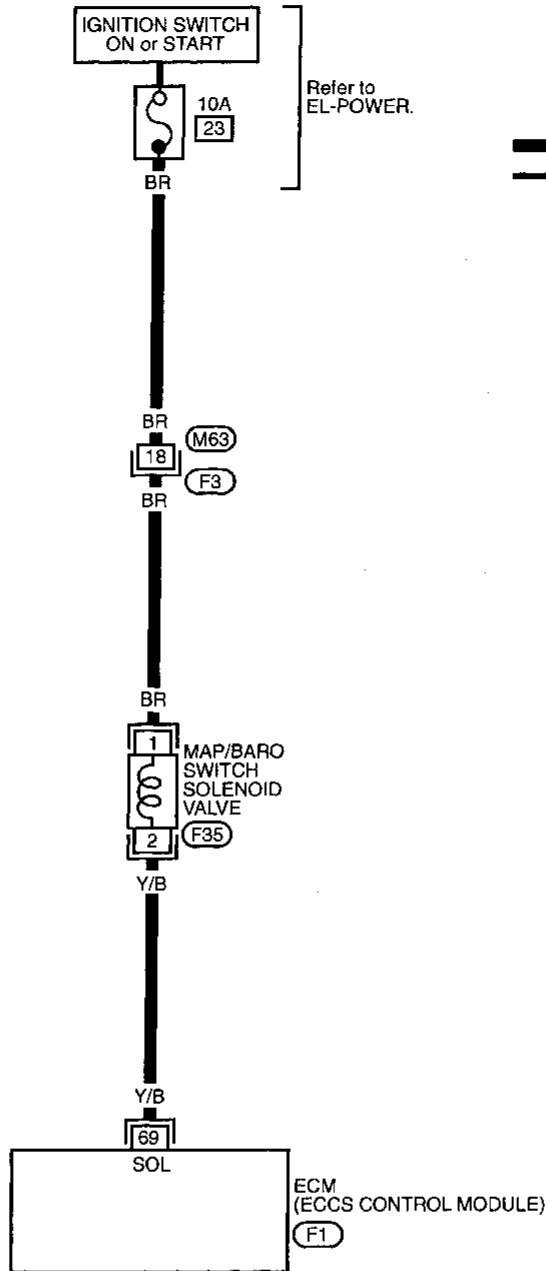
- 
 - 1) Start engine and warm it up to normal operating temperature.
 - 2) Turn ignition switch "OFF" and wait at least 5 seconds.
 - 3) Turn ignition switch "ON" again and select "DATA MONITOR" mode with CONSULT.
 - 4) Make sure that "TANK/F/TEMP SE" is more than 0°C (32°F).
 - 5) Start engine and let it idle for at least 10 seconds.
- OR
- 
 - 1) Start engine and warm it up to normal operating temperature.
 - 2) Turn ignition switch "OFF" and wait at least 5 seconds.
 - 3) Turn ignition switch "ON".
 - 4) Check that voltage between ECM terminal 63 and ground is less than 4.2V.
 - 5) Start engine and let it idle for at least 10 seconds.
 - 6) Select "MODE 7" with GST.
- OR
- 
 - 1) Start engine and warm it up to normal operating temperature.
 - 2) Turn ignition switch "OFF" and wait at least 5 seconds.
 - 3) Turn ignition switch "ON".
 - 4) Check that voltage between ECM terminal 63 and ground is less than 4.2V.
 - 5) Start engine and let it idle for at least 10 seconds.
 - 6) Turn ignition switch "OFF", wait at least 5 seconds and then turn "ON".
 - 7) Perform "Diagnostic Test Mode II (Self-diagnostic results)" with ECM.



TROUBLE DIAGNOSIS FOR DTC P1105

Manifold Absolute Pressure (MAP)/ Barometric Pressure (BARO) Switch Solenoid Valve (Cont'd)

EC-SW/V-01



GI

MA

EM

LC

EC

FE

CL

MT

AT

PD

FA

RA

BR

ST

RS

BT

HA

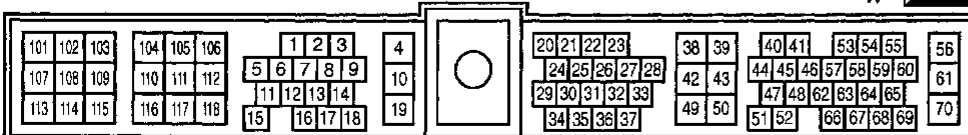
EL

IDX



Refer to last page (Foldout page).

(M63) . (F3)



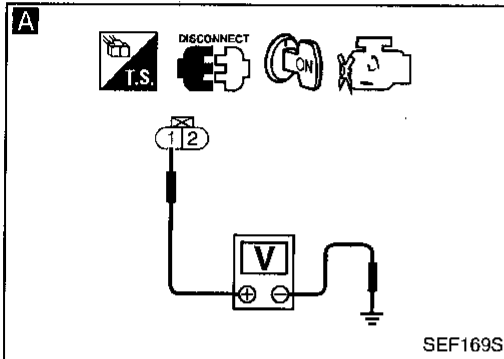
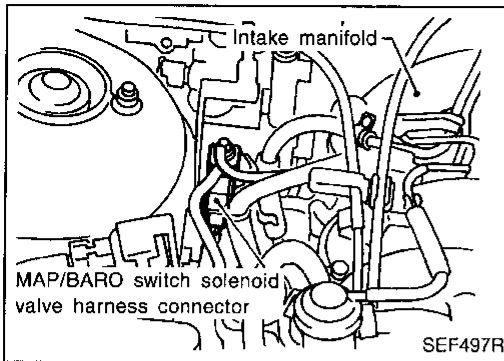
TROUBLE DIAGNOSIS FOR DTC P1105

Manifold Absolute Pressure (MAP)/ Barometric Pressure (BARO) Switch Solenoid Valve (Cont'd)

DIAGNOSTIC PROCEDURE

If the trouble is duplicated after "Procedure for malfunction A", perform "Procedure A" below. If the trouble is duplicated after "Procedure for malfunction B", perform "Procedure B" on next page.

Procedure A



INSPECTION START

A

CHECK POWER SUPPLY.

1. Turn ignition switch "OFF".
2. Disconnect MAP/BARO switch solenoid valve harness connector.
3. Turn ignition switch "ON".
4. Check voltage between terminal ① and engine ground with CONSULT or tester.

Voltage: Battery voltage

NG

Check the following.

- Harness connectors
- M63, F3
- 10A fuse
- Harness for open or short between MAP/BARO switch solenoid valve and fuse

If NG, repair harness or connectors.

B

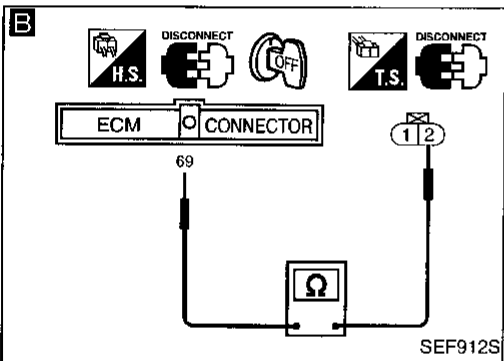
CHECK OUTPUT SIGNAL CIRCUIT.

1. Turn ignition switch "OFF".
2. Disconnect ECM harness connector.
3. Check harness continuity between ECM terminal ⑥ and terminal ② with CONSULT or tester.

Continuity should exist.
If OK, check harness for short to ground and short to power.

NG

Repair harness or connectors.



OK

CHECK COMPONENT
(MAP/BARO switch solenoid valve).
Refer to "COMPONENT INSPECTION", EC-315.

NG

Replace MAP/BARO switch solenoid valve.

OK

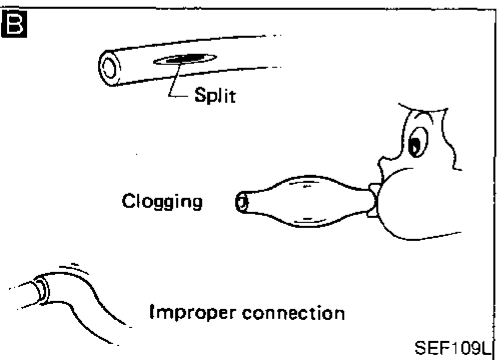
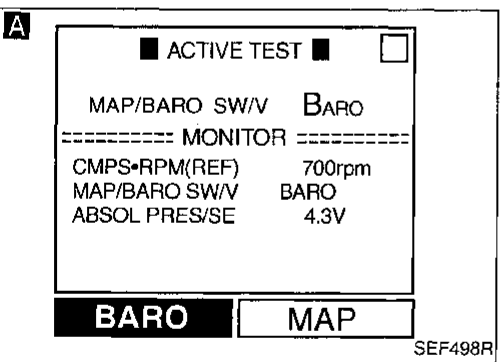
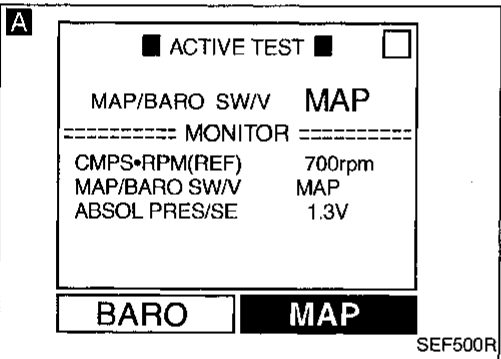
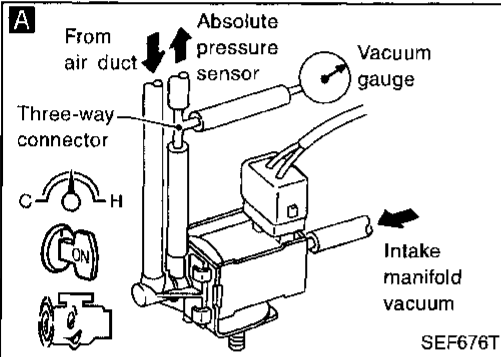
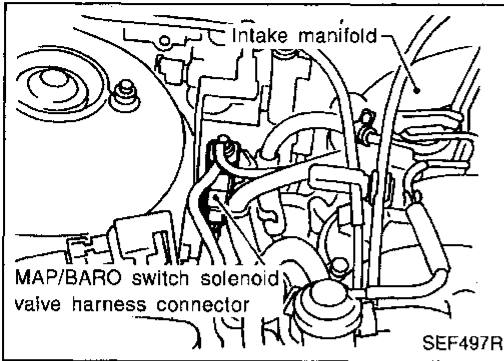
Perform "TROUBLE DIAGNOSIS FOR INTERMITTENT INCIDENT", EC-96.

INSPECTION END

TROUBLE DIAGNOSIS FOR DTC P1105

Manifold Absolute Pressure (MAP)/ Barometric Pressure (BARO) Switch Solenoid Valve (Cont'd)

Procedure B



INSPECTION START

A
CHECK VACUUM SOURCE AND CIRCUIT TO MAP/BARO SWITCH SOLENOID VALVE.

1. Start engine and warm it up to normal operating temperature.
2. Turn ignition switch "OFF".
3. Connect MAP/BARO switch solenoid valve and absolute pressure sensor with a rubber tube that has vacuum gauge.
4. Turn ignition switch "ON".
5. Select "MAP/BARO SW/V" in "ACTIVE TEST" mode with CONSULT.
6. Start engine and let it idle.
7. Touch "MAP" and "BARO" alternately and check for vacuum.

MAP/BARO SW/V	Vacuum
BARO	Vacuum should not exist
MAP	Vacuum should exist

OR

4. Turn ignition switch "ON".
5. Start engine and check for vacuum.
For 5 seconds after starting engine:
Vacuum should not exist.
More than 5 seconds after starting engine:
Vacuum should exist.

B
CHECK HOSE.

1. Turn ignition switch "OFF".
2. Check hose for clogging, cracks, disconnection or improper connection.

CHECK COMPONENT
(Absolute pressure sensor).

1. Check for disconnection of vacuum hose connected to the sensor.
2. Check sensor harness connector for water.

Water should not exist.
Refer to "COMPONENT INSPECTION" of "TROUBLE DIAGNOSIS FOR DTC P0105", EC-111.

Repair or replace absolute pressure sensor or harness connector.

Go to "TROUBLE DIAGNOSIS FOR INTERMITTENT INCIDENT", EC-96.

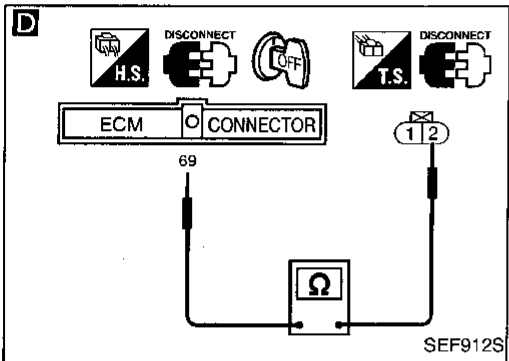
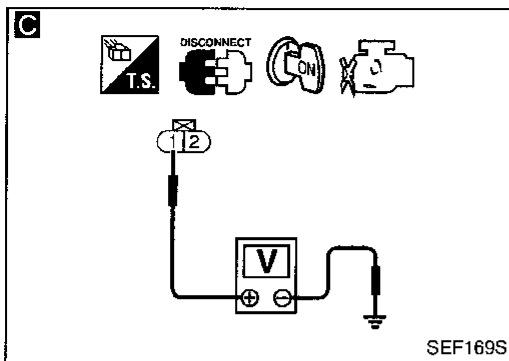
Clean, repair or reconnect the hose.
If NG, check vacuum port for clogging.

CHECK INTAKE SYSTEM.
Check the intake system for air leaks.

GI
MA
EM
LC
EC
FE
CL
MT
AT
PD
FA
RA
BR
ST
RS
BT
HA
EL
IDX

TROUBLE DIAGNOSIS FOR DTC P1105

Manifold Absolute Pressure (MAP)/ Barometric Pressure (BARO) Switch Solenoid Valve (Cont'd)



C

CHECK POWER SUPPLY.

1. Turn ignition switch "OFF".
2. Disconnect MAP/BARO switch solenoid valve harness connector.
3. Turn ignition switch "ON".
4. Check voltage between terminal ① and engine ground with CONSULT or tester.

Voltage: Battery voltage

NG → Check the following.

- Harness connectors
- 10A fuse (F3), (M53)
- Harness for open or short between MAP/BARO switch solenoid valve and fuse

If NG, repair harness or connectors.

D

CHECK OUTPUT SIGNAL CIRCUIT.

1. Turn ignition switch "OFF".
2. Disconnect ECM harness connector.
3. Check harness continuity between ECM terminal ⑥ and terminal ② with CONSULT or tester.

Continuity should exist.

If OK, check harness for short to ground and short to power.

NG → Repair harness or connectors.

CHECK COMPONENT
(MAP/BARO switch solenoid valve).
Refer to "COMPONENT INSPECTION"
on next page.

NG → Replace MAP/BARO switch solenoid valve.

Perform "TROUBLE DIAGNOSIS FOR
INTERMITTENT INCIDENT", EC-96.

INSPECTION END

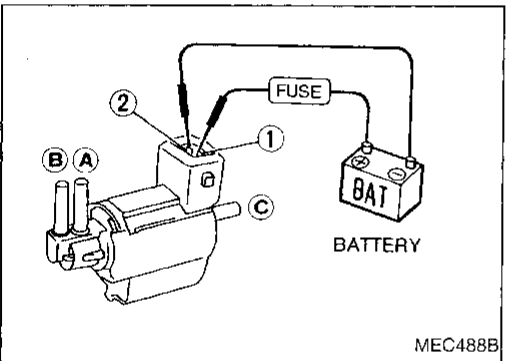
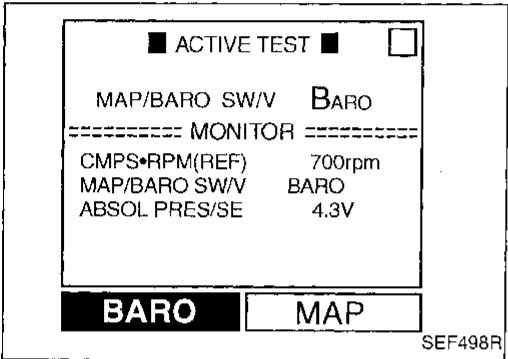
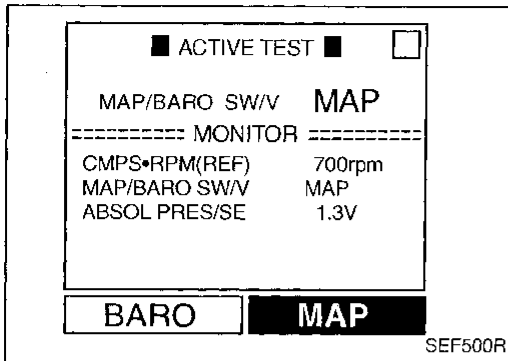
TROUBLE DIAGNOSIS FOR DTC P1105

Manifold Absolute Pressure (MAP)/ Barometric Pressure (BARO) Switch Solenoid Valve (Cont'd)

COMPONENT INSPECTION

MAP/BARO switch solenoid valve

1. Start engine and warm it up to normal operating temperature.
2. Perform "MAP/BARO SW/V" in "ACTIVE TEST" mode with CONSULT.
3. Check the following.
 - Condition: At idle under no-load
 - CONSULT display



MAP/BARO	ABSOL PRES/SE (Voltage)
BARO	More than 2.6V
MAP	Less than the voltage at BARO

- Time for voltage to change

MAP/BARO SW/V	Required time to switch
BARO to MAP	Less than 1 second
MAP to BARO	

4. If NG, check solenoid valve as shown below.

OR

1. Remove MAP/BARO switch solenoid valve.
2. Check air passage continuity.

Condition	Air passage continuity between (A) and (B)	Air passage continuity between (A) and (C)
12V direct current supply between terminals ① and ②	Yes	No
No supply	No	Yes

3. If NG, replace solenoid valve.

GI
MA
EM
LC
EC
FE
CL
MT
AT
PD
FA
RA
BR
ST
RS
BT
HA
EL
IDX

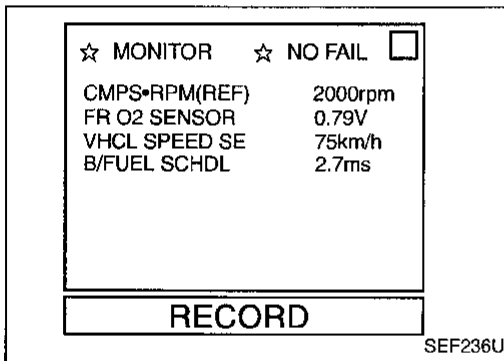
TROUBLE DIAGNOSIS FOR DTC P1148

Closed Loop Control

ON BOARD DIAGNOSIS LOGIC

★ The closed loop control has the one trip detection logic.

Diagnostic Trouble Code No.	Malfunction is detected when ...	Check Items (Possible Cause)
P1148 0307	<ul style="list-style-type: none"> ● The closed loop control function does not operate even when vehicle is driving in the specified condition. 	<ul style="list-style-type: none"> ● The front heated oxygen sensor circuit is open or shorted. ● Front heated oxygen sensor ● Front heated oxygen sensor heater



DIAGNOSTIC TROUBLE CODE CONFIRMATION PROCEDURE

CAUTION:

Always drive vehicle at a safe speed.

NOTE:

If "DIAGNOSTIC TROUBLE CODE CONFIRMATION PROCEDURE" has been previously conducted, always turn ignition switch "OFF" and wait at least 5 seconds before conducting the next test.

TESTING CONDITION:

- Never raise engine speed above 4,400 rpm during the "DIAGNOSTIC TROUBLE CODE CONFIRMATION PROCEDURE". If the engine speed limit is exceeded, retry the procedure from step 1).
- Before performing the following procedure, confirm that battery voltage is more than 11V at idle.



- 1) Start engine and warm it up to normal operating temperature.
- 2) Select "DATA MONITOR" mode with CONSULT.
- 3) Hold engine speed at 2,000 rpm.
- 4) While holding engine speed at 2,000 rpm, check the following.
 - "FR O2 SENSOR" voltage should go above 0.61V at least once.

OR

- "FR O2 SENSOR" voltage should go below 0.23V at least once.
If the check result is NG, perform "DIAGNOSIS PROCEDURE", EC-168.
If the check result is OK, perform the following step.
- 5) Let engine idle at least 3 minutes.
- 6) Maintain the following condition at least 50 consecutive seconds.

TROUBLE DIAGNOSIS FOR DTC P1148

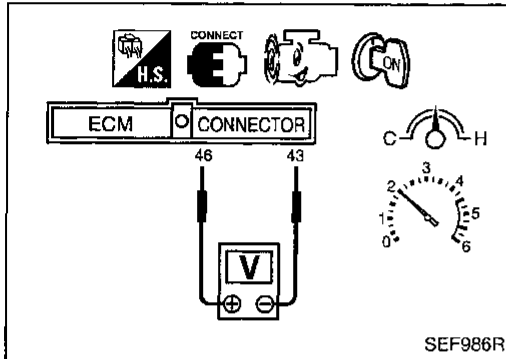
Closed Loop Control (Cont'd)

B/FUEL SCHDL: 2.5 ms or more

CMPS-RPM (REF): 2,000 - 3,500 rpm

Selector lever: Suitable position

VHCL SPEED SE: More than 70 km/h (43 MPH)



OR

OVERALL FUNCTION CHECK

Use this procedure to check the overall function of the closed loop control. During this check, a 1st trip DTC might not be confirmed.

- 1) Start engine and warm it up to normal operating temperature.
 - 2) Set voltmeter probes between ECM terminal ④⑥ (sensor signal) and ④③ (engine ground).
 - 3) Check the following with engine speed held at 2,000 rpm constant under no load.
 - The voltage should go above 0.61V at least once.
- OR
- The voltage should go below 0.23V at least once.

DIAGNOSTIC PROCEDURE

Refer to TROUBLE DIAGNOSIS FOR DTC P0133, EC-168.

GI

MA

EM

LC

EC

FE

CL

MT

AT

PD

FA

RA

BR

ST

RS

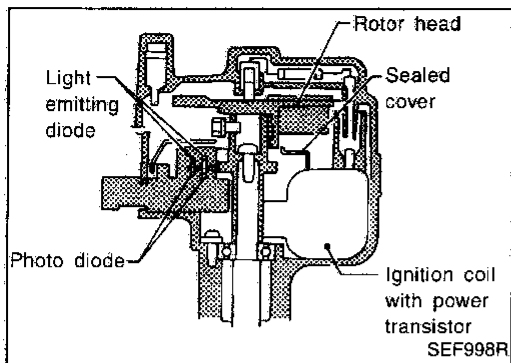
BT

HA

EL

IDX

TROUBLE DIAGNOSIS FOR DTC P1320



Ignition Signal

COMPONENT DESCRIPTION

Ignition coil & power transistor

The ignition signal from the ECM is sent to the power transistor. The power transistor switches on and off the ignition coil primary circuit. As the primary circuit is turned on and off, the proper high voltage is induced in the coil secondary circuit.

CONSULT REFERENCE VALUE IN DATA MONITOR MODE

Specification data are reference values.

MONITOR ITEM	CONDITION	SPECIFICATION
IGNITION SW	● Ignition switch: ON → OFF → ON	ON → OFF → ON

ECM TERMINALS AND REFERENCE VALUE

Specification data are reference values and are measured between each terminal and Ⓞ (ECCS ground).

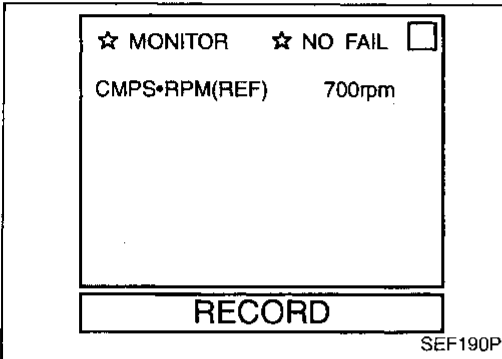
TER-MINAL NO.	WIRE COLOR	ITEM	CONDITION	DATA (DC Voltage)
1	W	Ignition signal	Engine is running. (Warm-up condition) └ Idle speed	0.3 - 0.5V SEF186T
			Engine is running. └ Engine speed is 2,000 rpm.	0.7 - 1.0V SEF187T
2	W	Ignition check	Engine is running. (Warm-up condition) └ Idle speed	13 - 14V SEF188T
			Engine is running. └ Engine speed is 2,000 rpm.	12 - 13V SEF189T

TROUBLE DIAGNOSIS FOR DTC P1320

Ignition Signal (Cont'd)

ON BOARD DIAGNOSIS LOGIC

Diagnostic Trouble Code No.	Malfunction is detected when ...	Check Items (Possible Cause)
P1320 0201	<ul style="list-style-type: none"> The ignition signal in the primary circuit is not sent to ECM during engine cranking or running. 	<ul style="list-style-type: none"> Harness or connectors (The ignition primary circuit is open or shorted.) Power transistor unit. Resistor Camshaft position sensor Camshaft position sensor circuit



DIAGNOSTIC TROUBLE CODE CONFIRMATION PROCEDURE

NOTE:

- If "DIAGNOSTIC TROUBLE CODE CONFIRMATION PROCEDURE" has been previously conducted, always turn ignition switch "OFF" and wait at least 5 seconds before conducting the next test.
- If both DTC P0340 (0101) and P1320 (0201) are displayed, perform TROUBLE DIAGNOSIS FOR DTC P0340 first. Refer to EC-237.



- 1) Turn ignition switch "ON".
- 2) Select "DATA MONITOR" mode with CONSULT.
- 3) Start engine. (If engine does not run, turn ignition switch to "START" for at least 5 seconds.)

OR



- 1) Turn ignition switch "ON".
- 2) Start engine. (If engine does not run, turn ignition switch to "START" for at least 5 seconds.)
- 3) Select MODE 7 with GST.

OR



- 1) Turn ignition switch "ON".
- 2) Start engine. (If engine does not run, turn ignition switch to "START" for at least 5 seconds.)
- 3) Turn ignition switch "OFF" and wait at least 5 seconds, then turn "ON".
- 4) Perform "Diagnostic Test Mode II" (Self-diagnostic results) with ECM.

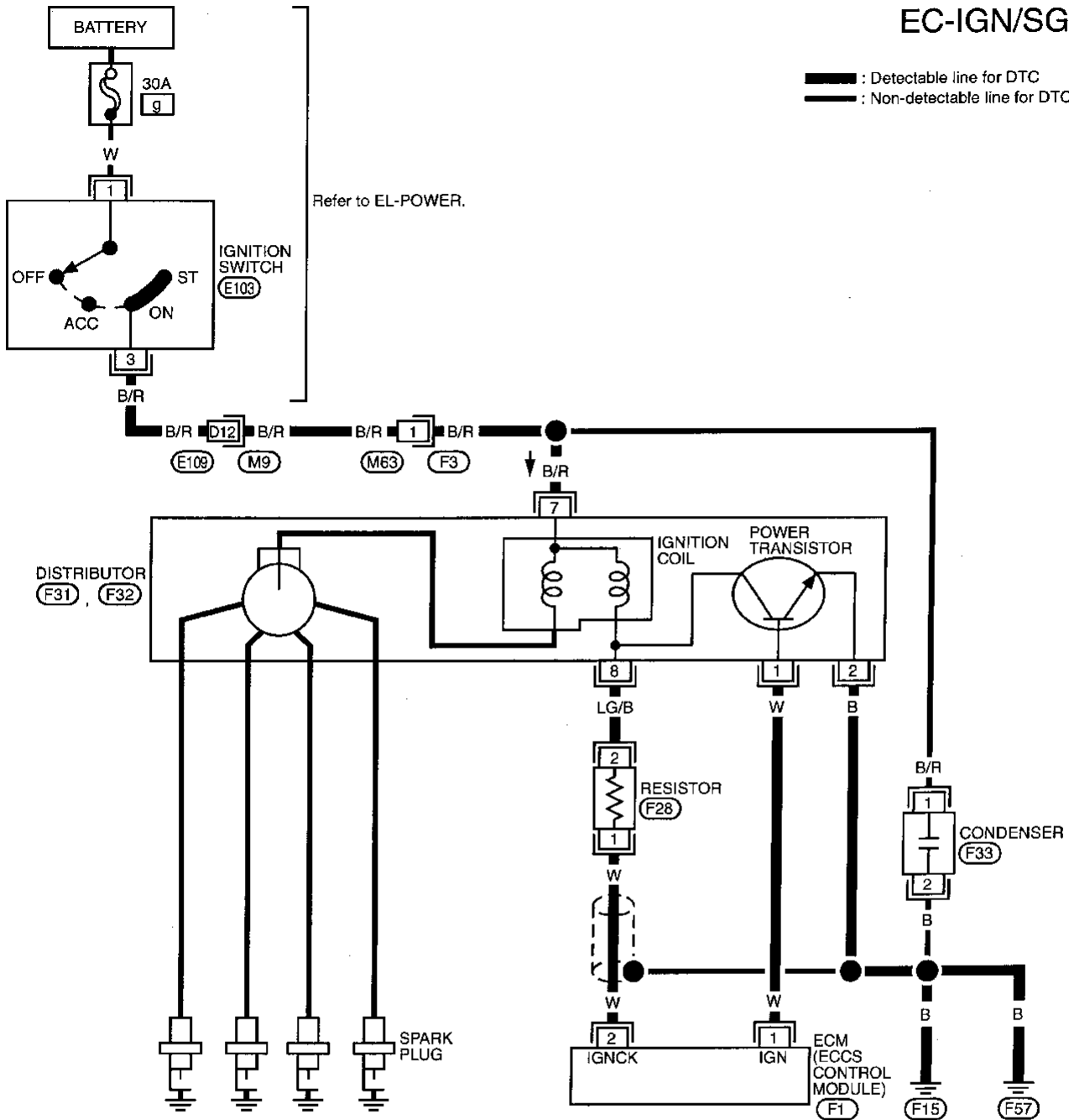
GI
MA
EM
LC
EC
FE
CL
MT
AT
PD
FA
RA
BR
ST
RS
BT
HA
EL
IDX

TROUBLE DIAGNOSIS FOR DTC P1320

Ignition Signal (Cont'd)

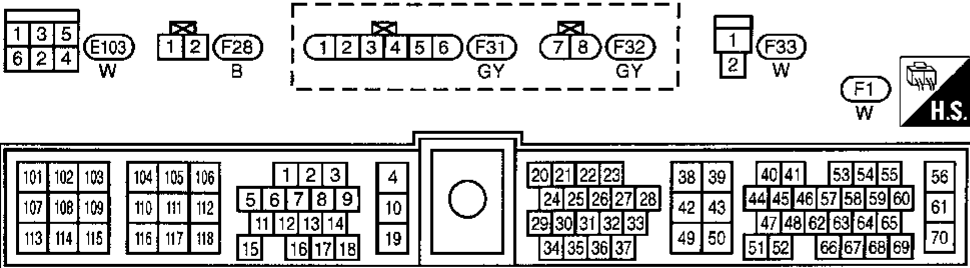
EC-IGN/SG-01

— : Detectable line for DTC
— : Non-detectable line for DTC



Refer to EL-POWER.

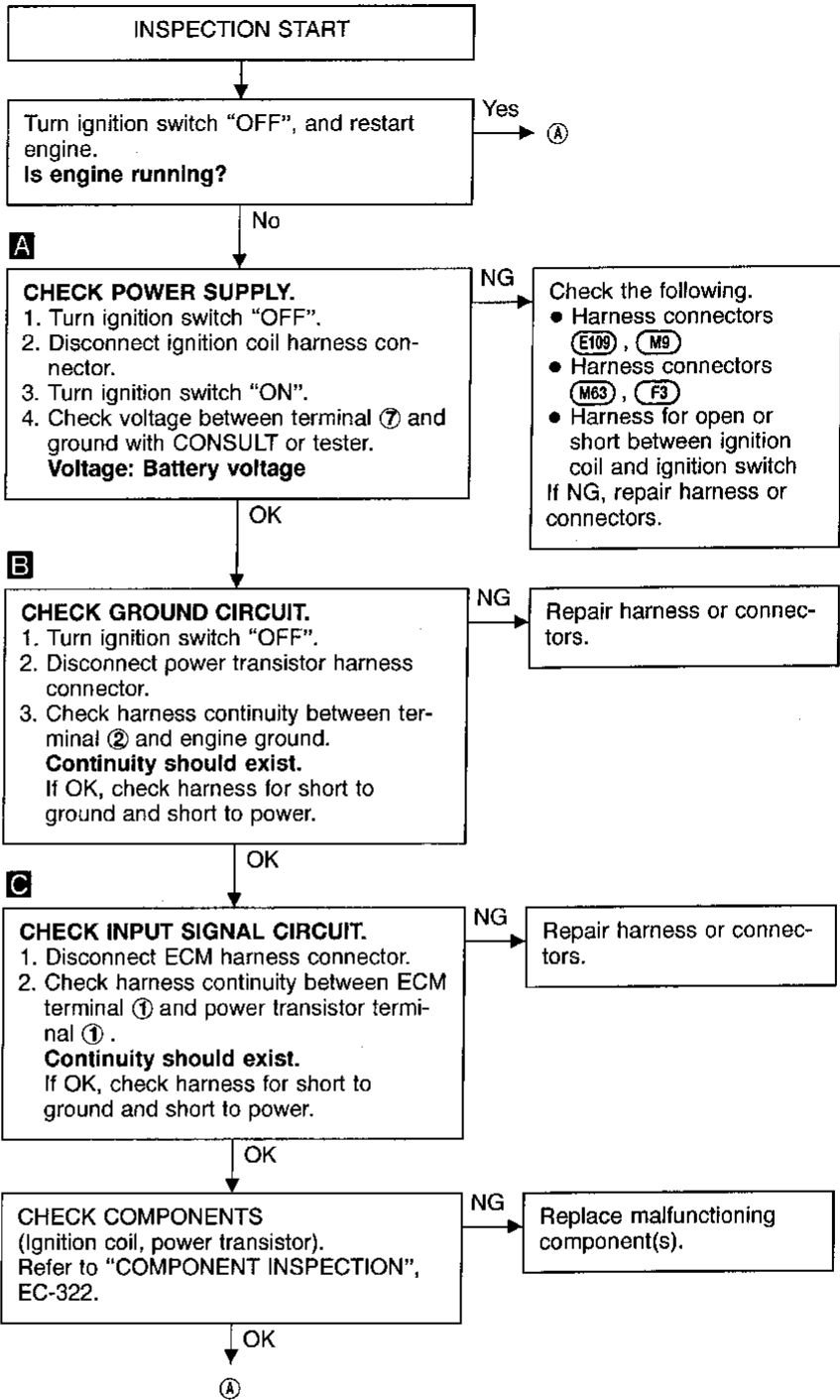
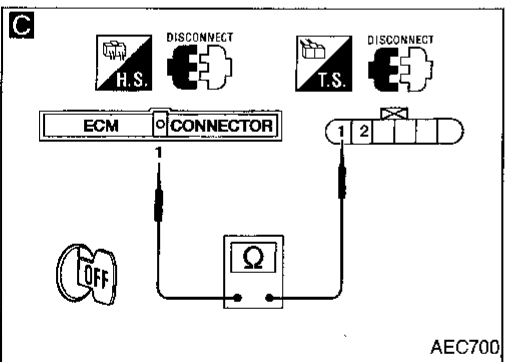
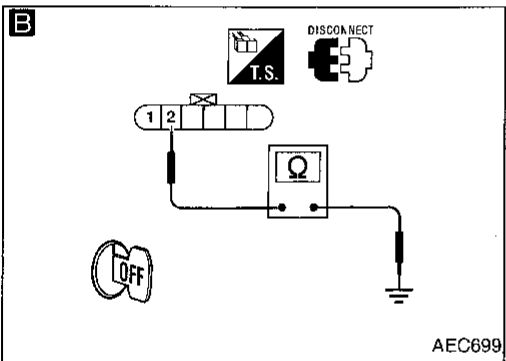
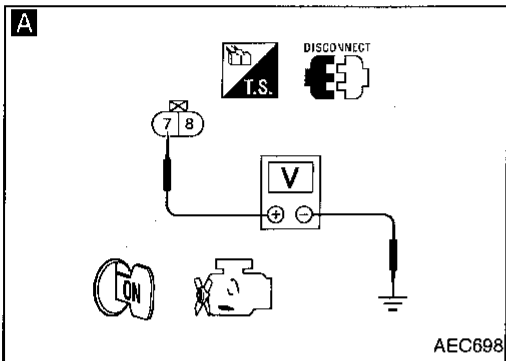
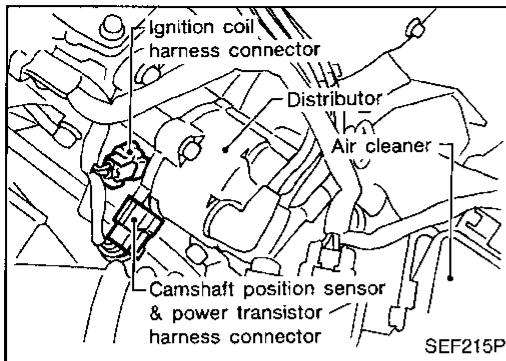
Refer to last page (Foldout page).



(E109), (M9)
(M63), (F3)

TROUBLE DIAGNOSIS FOR DTC P1320

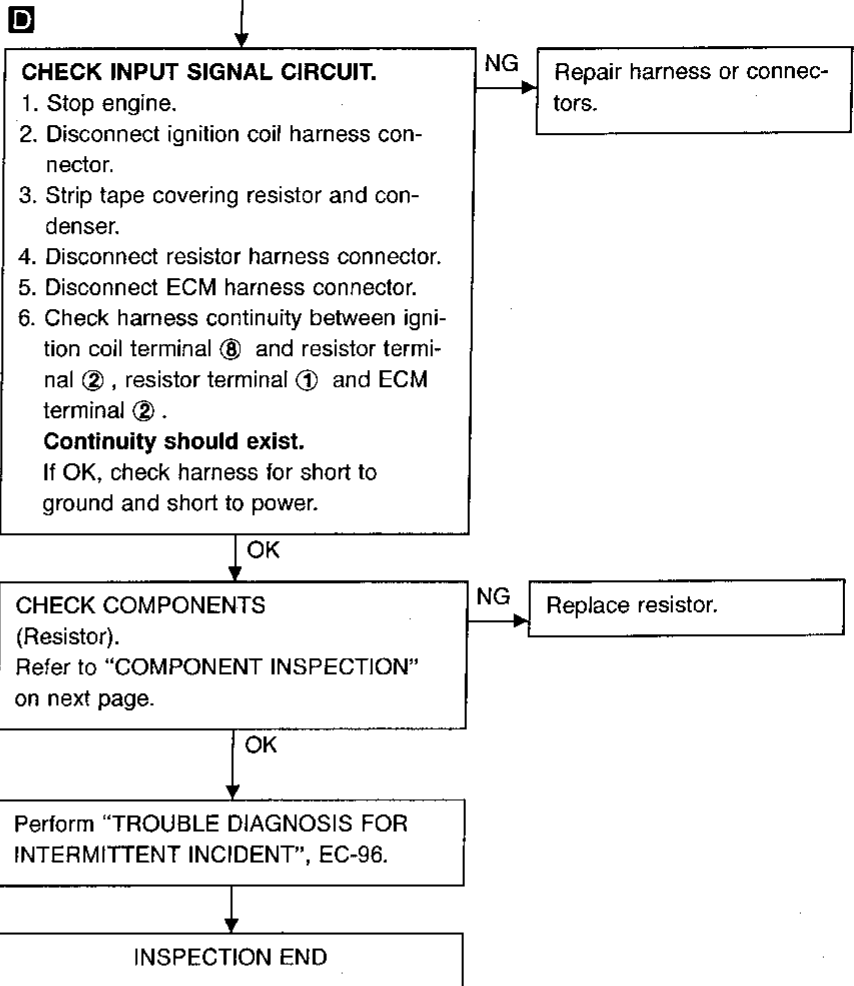
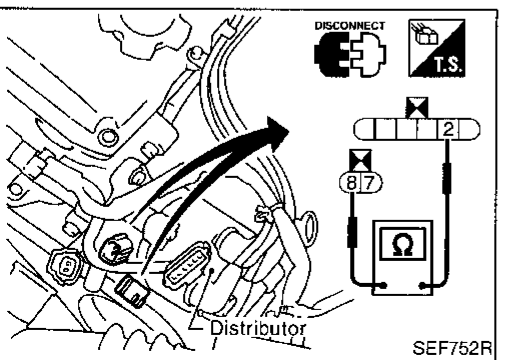
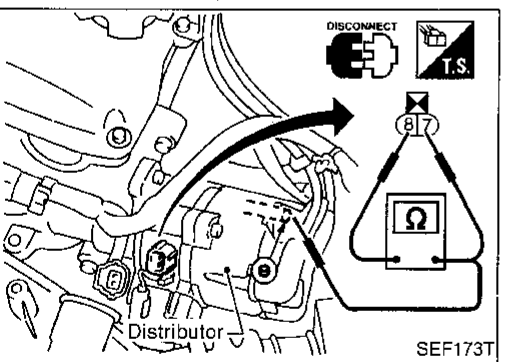
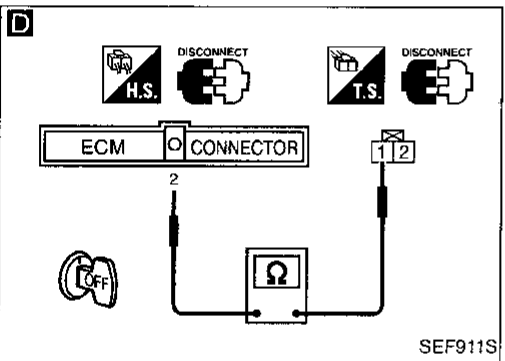
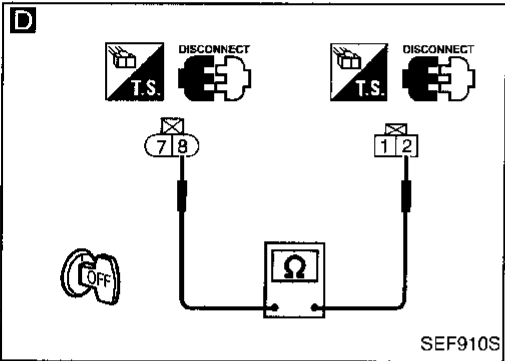
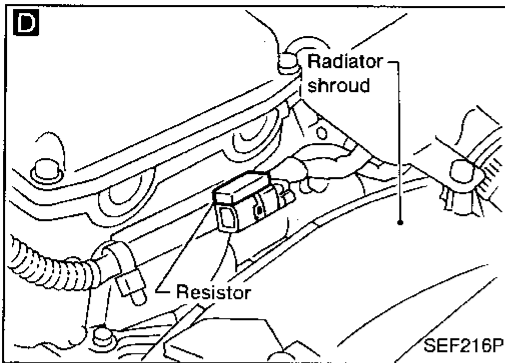
Ignition Signal (Cont'd) DIAGNOSTIC PROCEDURE



GI
MA
EM
LC
EC
FE
CL
MT
AT
PD
FA
RA
BR
ST
RS
BT
HA
EL
IDX

TROUBLE DIAGNOSIS FOR DTC P1320

Ignition Signal (Cont'd)



COMPONENT INSPECTION

Ignition coil

1. Disconnect ignition coil harness connector.
2. Check resistance as shown in the figure.

Terminal	Resistance [at 20°C (68°F)]
⑦ - ⑧	Approximately 1Ω
⑧ - ⑨	Approximately 20 kΩ

If NG, replace distributor assembly as a unit.

Power transistor

1. Disconnect camshaft position sensor & power transistor harness connector and ignition coil harness connector.
2. Check power transistor resistance between terminals ② and ⑧.

Terminals	Resistance	Result
② and ⑧	Except 0Ω	OK
	0Ω	NG

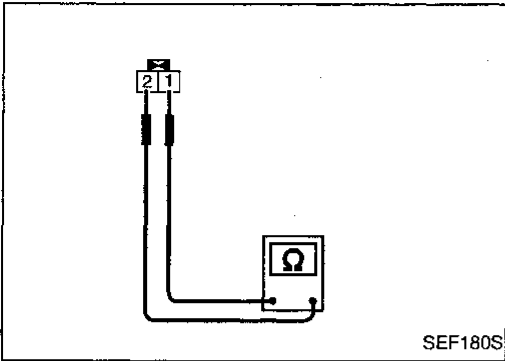
If NG, replace distributor assembly.

TROUBLE DIAGNOSIS FOR DTC P1320

Ignition Signal (Cont'd)

Resistor

1. Disconnect resistor harness connector.
2. Check resistance between terminals ① and ②.
Resistance: Approximately 2.2 k Ω [at 25°C (77°F)]
If NG, replace resistor.



GI

MA

EM

LC

EC

FE

CL

MT

AT

PD

FA

RA

BR

ST

RS

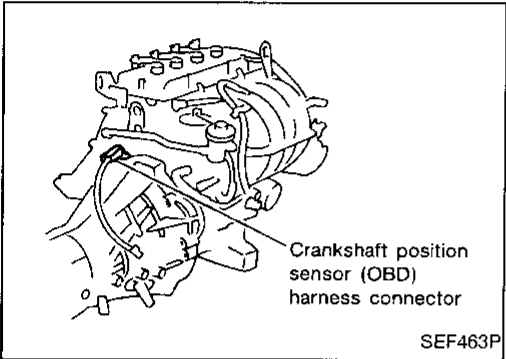
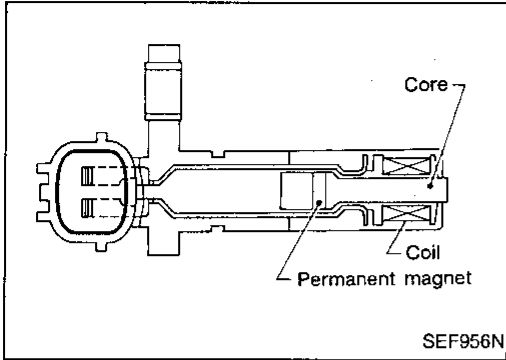
BT

HA

EL

IDX

TROUBLE DIAGNOSIS FOR DTC P1336



Crankshaft Position Sensor (CKPS) (OBD) (COG)

COMPONENT DESCRIPTION

The crankshaft position sensor (OBD) is located on the transmission housing facing the gear teeth (cogs) of the flywheel or drive plate. It detects the fluctuation of the engine revolution.

The sensor consists of a permanent magnet, core and coil.

When the engine is running, the high and low parts of the teeth cause the gap with the sensor to change.

The changing gap causes the magnetic field near the sensor to change.

Due to the changing magnetic field, the voltage from the sensor changes.

The ECM receives the voltage signal and detects the fluctuation of the engine revolution.

This sensor is not directly used to control the engine system.

It is used only for the on board diagnosis.

ECM TERMINALS AND REFERENCE VALUE

Specification data are reference values and are measured between each terminal and Ⓔ (ECCS ground).

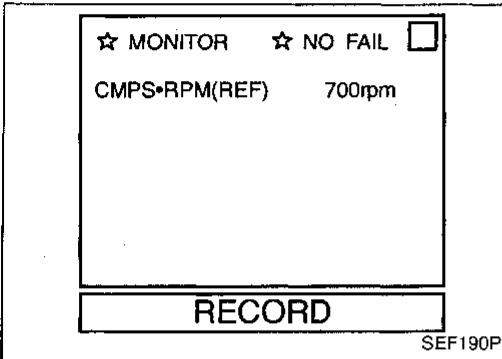
TER-MINAL NO.	WIRE COLOR	ITEM	CONDITION	DATA (DC Voltage)
50	B	Sensors' ground	<div style="border: 1px solid black; padding: 2px;">Engine is running.</div> (Warm-up condition) └ Idle speed	Approximately 0V
53	P	Crankshaft position sensor (OBD)	<div style="border: 1px solid black; padding: 2px;">Engine is running.</div> (Warm-up condition) └ Idle speed	Approximately 0V <p style="text-align: right;">SEF643U</p>
			<div style="border: 1px solid black; padding: 2px;">Engine is running.</div> └ Engine speed is 2,000 rpm.	Approximately 0V <p style="text-align: right;">SEF644U</p>

TROUBLE DIAGNOSIS FOR DTC P1336

Crankshaft Position Sensor (CKPS) (OBD) (COG) (Cont'd)

ON BOARD DIAGNOSIS LOGIC

Diagnostic Trouble Code No.	Malfunction is detected when	Check Items (Possible Cause)
P1336 0905	<ul style="list-style-type: none"> ● A chipping of the flywheel or drive plate gear tooth (cog) is detected by the ECM. 	<ul style="list-style-type: none"> ● Harness or connectors ● Crankshaft position sensor (OBD) ● Drive plate/Flywheel



DIAGNOSTIC TROUBLE CODE CONFIRMATION PROCEDURE

NOTE:

If "DIAGNOSTIC TROUBLE CODE CONFIRMATION PROCEDURE" has been previously conducted, always turn ignition switch "OFF" and wait at least 5 seconds before conducting the next test.



- 1) Turn ignition switch "ON" and select "DATA MONITOR" mode with CONSULT.
- 2) Start engine and run it for at least 2 minutes at idle speed.

OR



- 1) Start engine and run it for at least 2 minutes at idle speed.
- 2) Select "MODE 7" with GST.

OR



- 1) Start engine and run it for at least 2 minutes at idle speed.
- 2) Turn ignition switch "OFF", wait at least 5 seconds and then turn "ON".
- 3) Perform "Diagnostic Test Mode II" (Self-diagnostic results) with ECM.

GI

MA

EM

LC

EC

FE

CL

MT

AT

PD

FA

RA

BR

ST

RS

BT

HA

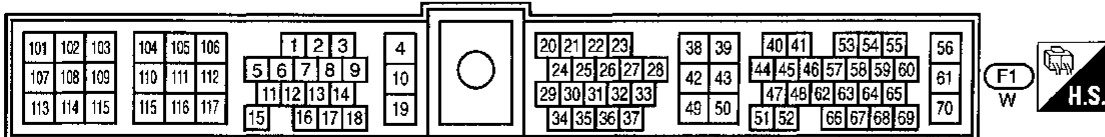
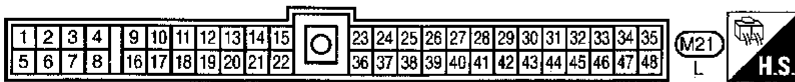
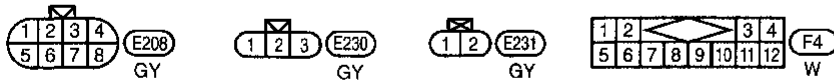
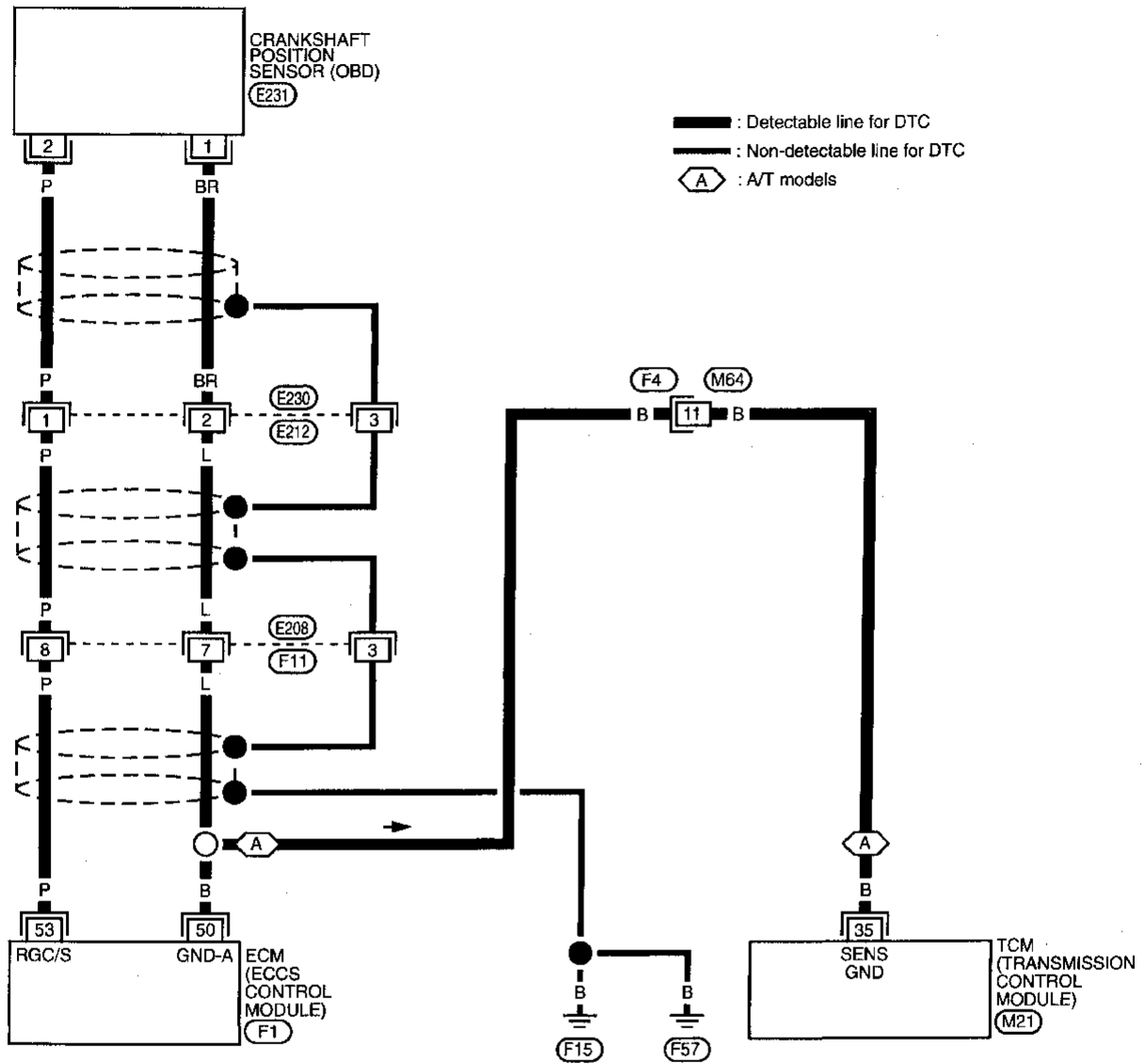
EL

IDX

TROUBLE DIAGNOSIS FOR DTC P1336

Crankshaft Position Sensor (CKPS) (OBD) (COG) (Cont'd)

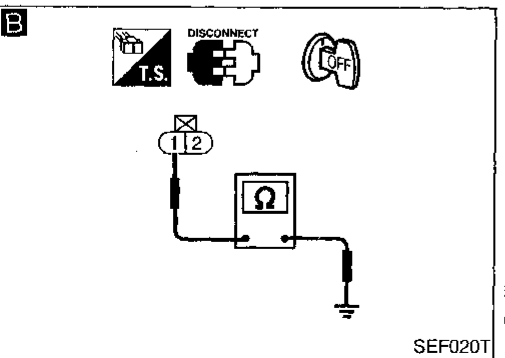
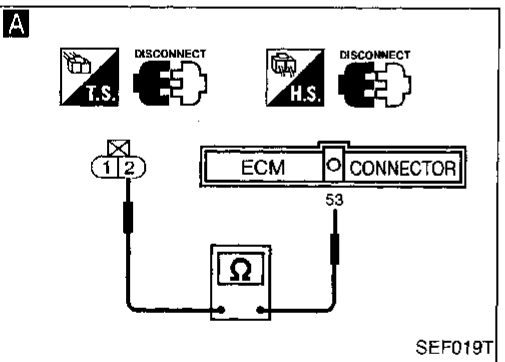
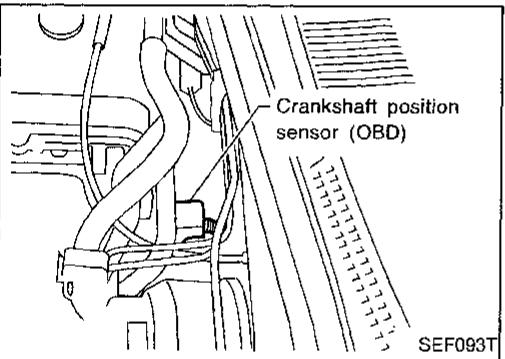
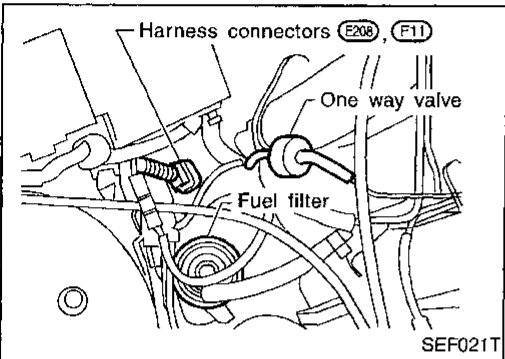
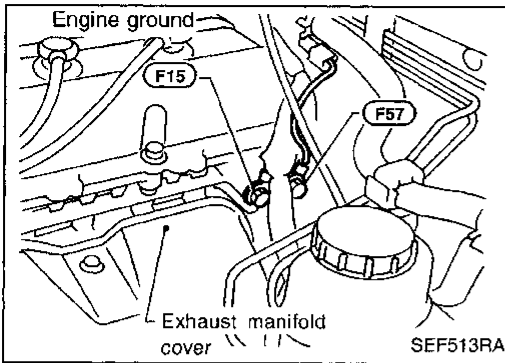
EC-CKPS-01



TROUBLE DIAGNOSIS FOR DTC P1336

Crankshaft Position Sensor (CKPS) (OBD) (COG) (Cont'd)

DIAGNOSTIC PROCEDURE



INSPECTION START

1. Turn ignition switch "OFF".
2. Loosen and retighten engine ground screws.

A
CHECK INPUT SIGNAL CIRCUIT.
1. Disconnect crankshaft position sensor (OBD) and ECM harness connectors.
2. Check continuity between ECM terminal ⑤ and terminal ②.
Continuity should exist.
If OK, check harness for short to ground and short to power.

NG → Check the following.
• Harness connectors (E230), (E212)
• Harness connectors (E208), (F11)
• Harness for open or short between ECM and crankshaft position sensor (OBD)
If NG, repair open circuit or short to ground or short to power in harness or connectors.

B
CHECK GROUND CIRCUIT.
1. Reconnect ECM harness connectors.
2. Check harness continuity between terminal ① and engine ground.
Continuity should exist.
If OK, check harness for short to ground and short to power.

NG → Check the following.
• Harness connectors (E230), (E212)
• Harness connectors (E208), (F11)
• Harness connectors (F4), (M64)
• Harness for open or short between ECM and crankshaft position sensor (OBD) harness connector
• Harness for open or short between TCM and crankshaft position sensor (OBD)
If NG, repair open circuit or short to ground or short to power in harness or connectors.

Loosen and retighten the fixing bolt of the crankshaft position sensor (OBD). Then retest.

CHECK COMPONENT [Crankshaft position sensor (OBD)]. Refer to "COMPONENT INSPECTION" on next page.

NG → Replace crankshaft position sensor (OBD).

Perform "TROUBLE DIAGNOSIS FOR INTERMITTENT INCIDENT", EC-96.

Visually check for chipping flywheel or drive plate gear tooth (cog).

NG → Replace the flywheel or drive plate.

INSPECTION END

GI

MA

EM

LC

EC

FE

CL

MT

AT

PD

FA

RA

BR

ST

RS

BT

HA

EL

IDX

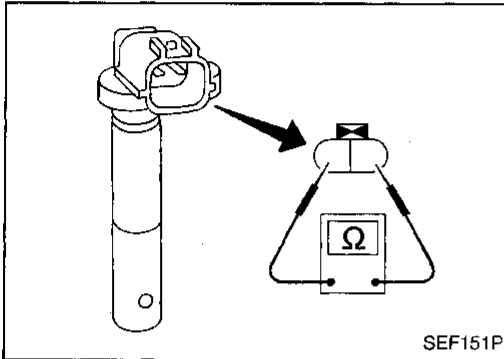
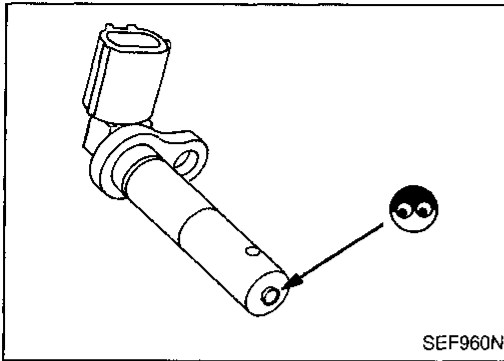
TROUBLE DIAGNOSIS FOR DTC P1336

Crankshaft Position Sensor (CKPS) (OBD) (COG) (Cont'd)

COMPONENT INSPECTION

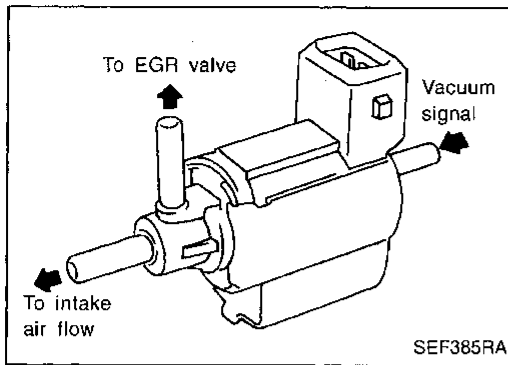
Crankshaft position sensor (OBD)

1. Disconnect crankshaft position sensor (OBD) harness connector.
2. Loosen the fixing bolt of the sensor.
3. Remove the sensor.
4. Visually check the sensor for chipping.



5. Check resistance as shown in the figure.
Resistance: Approximately 166.5 - 203.5Ω
[at 20°C (68°F)]

TROUBLE DIAGNOSIS FOR DTC P1400



EGRC-Solenoid Valve

COMPONENT DESCRIPTION

The EGRC-solenoid valve responds to signals from the ECM. When the ECM sends an ON (ground) signal, the coil in the solenoid valve is energized. A plunger will then move to cut the vacuum signal (from the throttle body to the EGR valve.)

When the ECM sends an OFF signal, the vacuum signal passes through the solenoid valve. The signal then reaches the EGR valve.

CONSULT REFERENCE VALUE IN DATA MONITOR MODE

Specification data are reference values.

MONITOR ITEM	CONDITION	SPECIFICATION
EGRC SOL/V	Idle	ON
	<ul style="list-style-type: none"> • Engine: After warming up • Properly raise drive wheels off the ground. • Set M/T or A/T selector lever in "1" position. • Engine speed: Revving from 1,500 to 4,000 rpm quickly [Vehicle speed is over 8 km/h (5 MPH).] 	OFF

ECM TERMINALS AND REFERENCE VALUE

Specification data are reference values and are measured between each terminal and Ⓒ (ECCS ground).

TERMINAL NO.	WIRE COLOR	ITEM	CONDITION	DATA (DC Voltage)
103	L/R	EGRC-solenoid valve	Engine is running. (Warm-up condition) └ Idle speed	Approximately 0V
			Engine is running. (Warm-up condition) └ Properly raise drive wheels off the ground. └ Set M/T or A/T selector lever in "1" position. └ Engine speed: revving from 1,500 to 3,200 rpm [Vehicle speed is over 8 km/h (5 MPH).]	BATTERY VOLTAGE (11 - 14V)

ON BOARD DIAGNOSIS LOGIC

Diagnostic Trouble Code No.	Malfunction is detected when	Check Items (Possible Cause)
P1400 1005	<ul style="list-style-type: none"> • The improper voltage signal is sent to ECM through EGRC-solenoid valve. 	<ul style="list-style-type: none"> • Harness or connectors (The EGRC-solenoid valve circuit is open or shorted.) • EGRC-solenoid valve

TROUBLE DIAGNOSIS FOR DTC P1400

EGRC-Solenoid Valve (Cont'd)

DIAGNOSTIC TROUBLE CODE CONFIRMATION PROCEDURE

CAUTION:

Always drive vehicle at a safe speed.

NOTE:

If "DIAGNOSTIC TROUBLE CODE CONFIRMATION PROCEDURE" has been previously conducted, always turn ignition switch "OFF" and wait at least 5 seconds before conducting the next test.



- 1) Turn ignition switch "ON".
- 2) Select "DATA MONITOR" mode with CONSULT.
- 3) Start engine and warm it up to normal operating temperature.
- 4) Maintain the following conditions for at least 5 consecutive seconds.

CMPS-RPM (REF): 1,000 - 3,000 rpm

B/FUEL SCHDL: 1.75 - 4 ms

VHCL SPEED SE: 10 km/h (6 MPH) or more

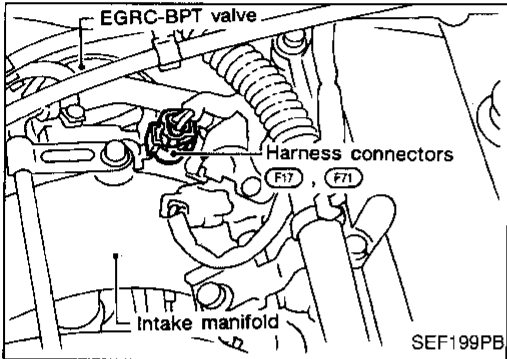
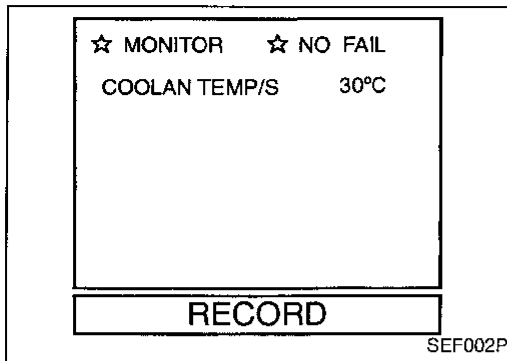
OR

OVERALL FUNCTION CHECK

Use this procedure to check the overall function of the EGRC-solenoid valve circuit. During this check, a 1st trip DTC might not be confirmed.



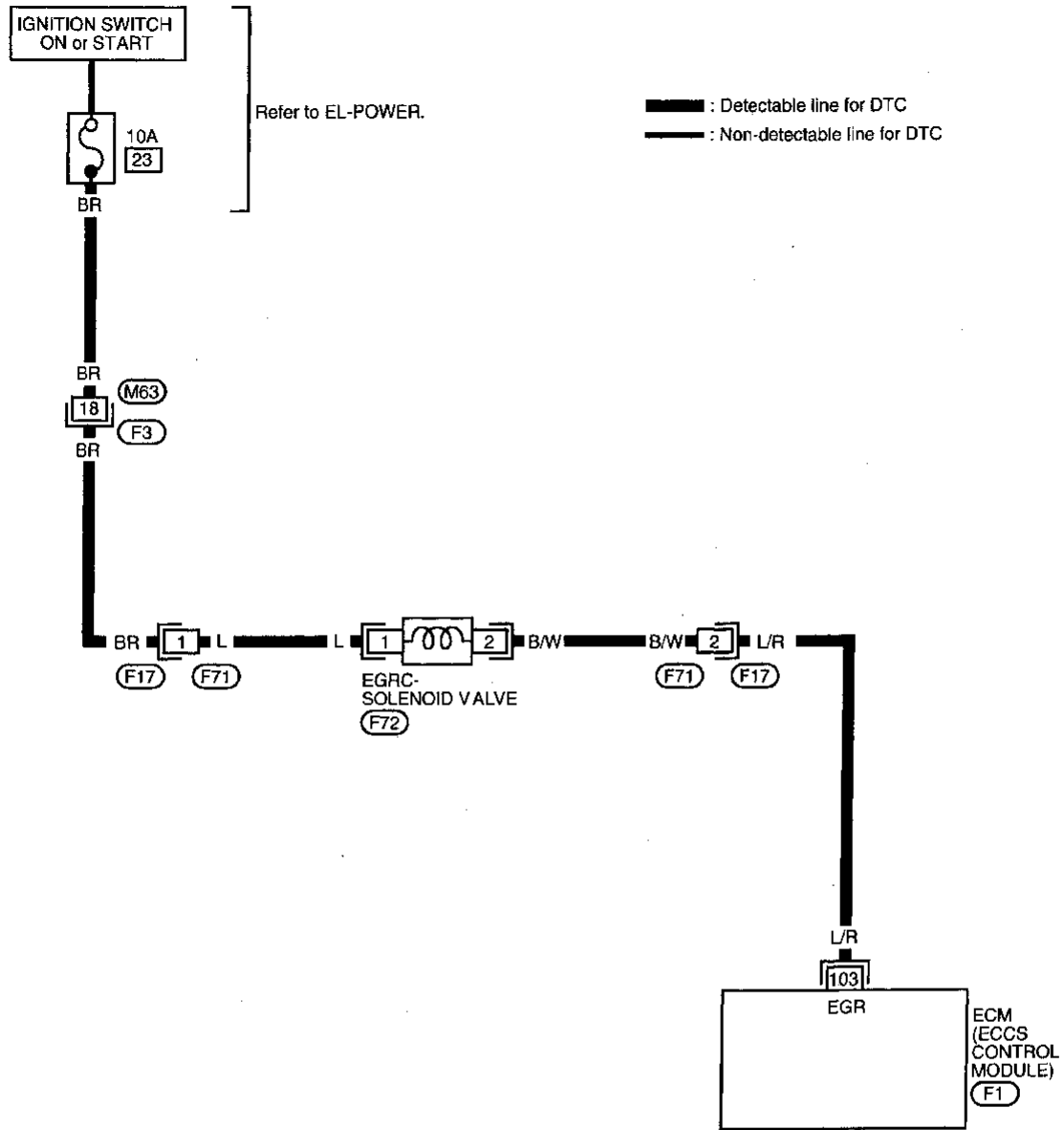
- 1) Turn ignition switch "ON".
- 2) Check operating sound of the solenoid valve when disconnecting and reconnecting harness connector.



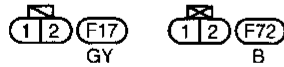
TROUBLE DIAGNOSIS FOR DTC P1400

EGRC-Solenoid Valve (Cont'd)

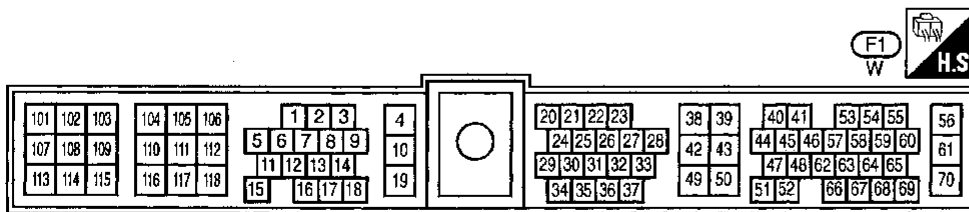
EC-EGRC/V-01



GI
 MA
 EM
 LC
EC
 FE
 CL
 MT
 AT
 PD
 FA
 RA
 BR
 ST
 RS
 BT
 HA
 EL
 IDX



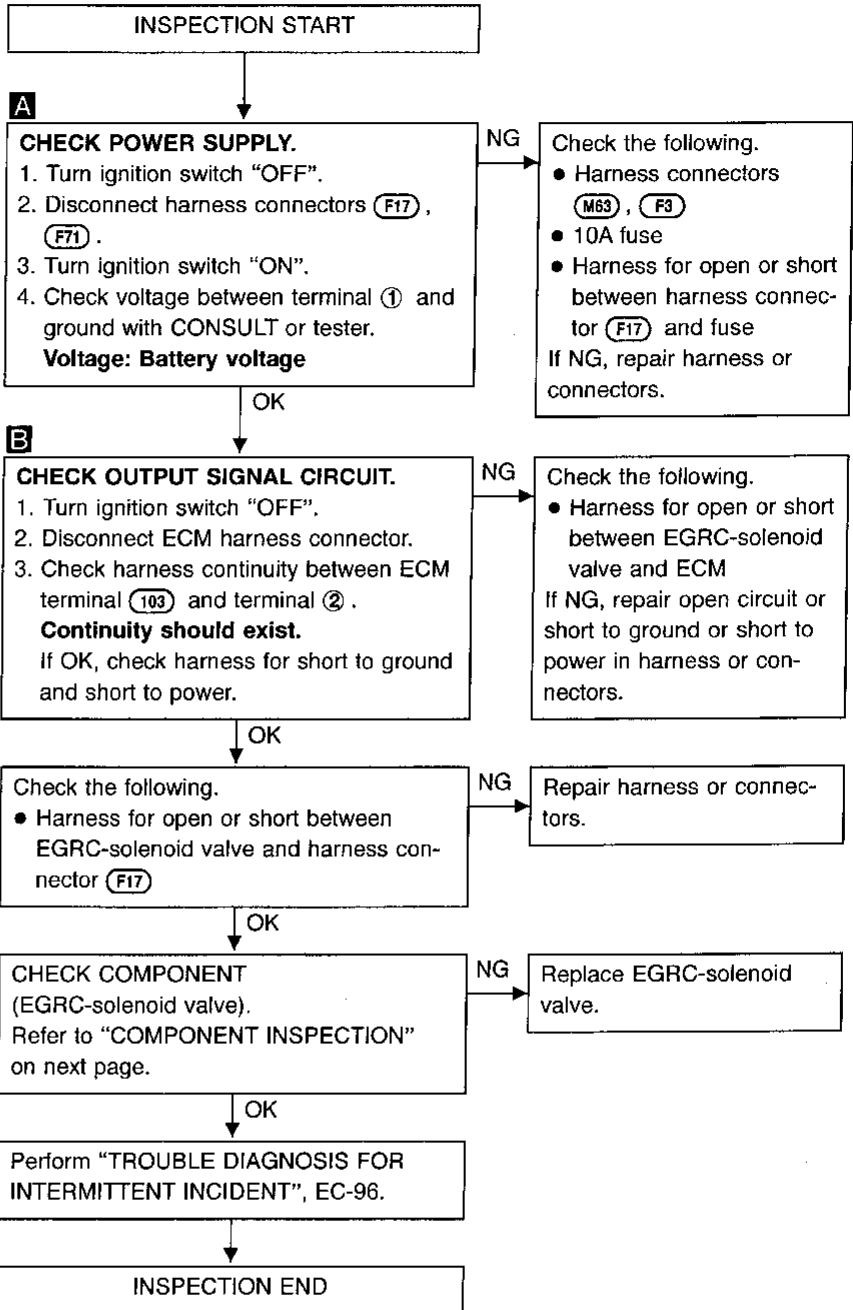
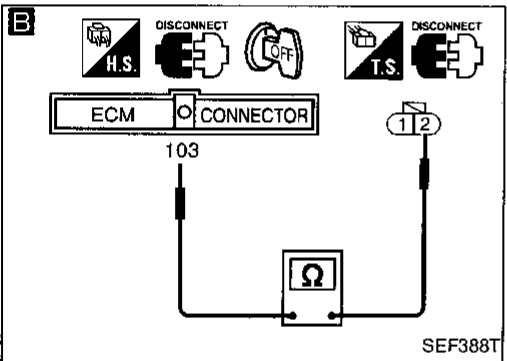
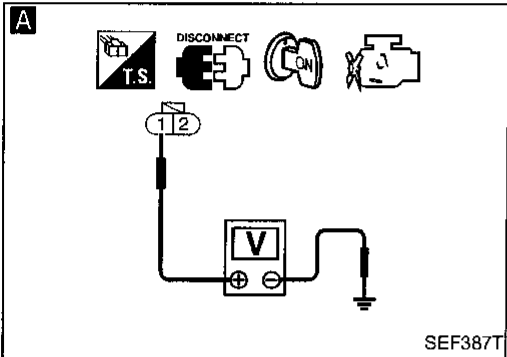
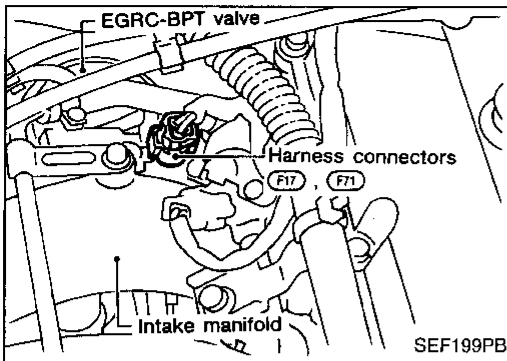
Refer to last page (Foldout page).



TROUBLE DIAGNOSIS FOR DTC P1400

EGRC-Solenoid Valve (Cont'd)

DIAGNOSTIC PROCEDURE



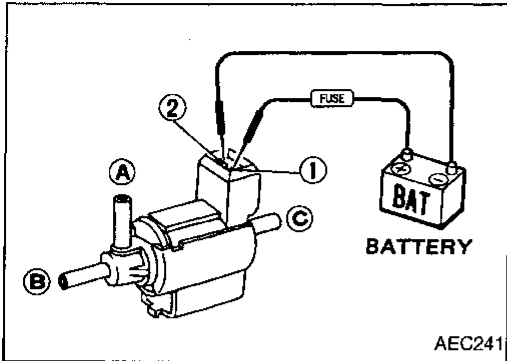
TROUBLE DIAGNOSIS FOR DTC P1400

EGRC-Solenoid Valve (Cont'd)

COMPONENT INSPECTION

EGRC-solenoid valve

Check air passage continuity.



Condition	Air passage continuity between (A) and (B)	Air passage continuity between (A) and (C)
12V direct current supply between terminals ① and ②	Yes	No
No supply	No	Yes

If NG, replace solenoid valve.

GI

MA

EM

LC

EC

FE

CL

MT

AT

PD

FA

RA

BR

ST

RS

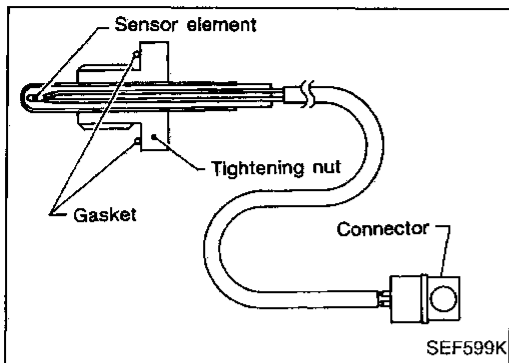
BT

HA

EL

IDX

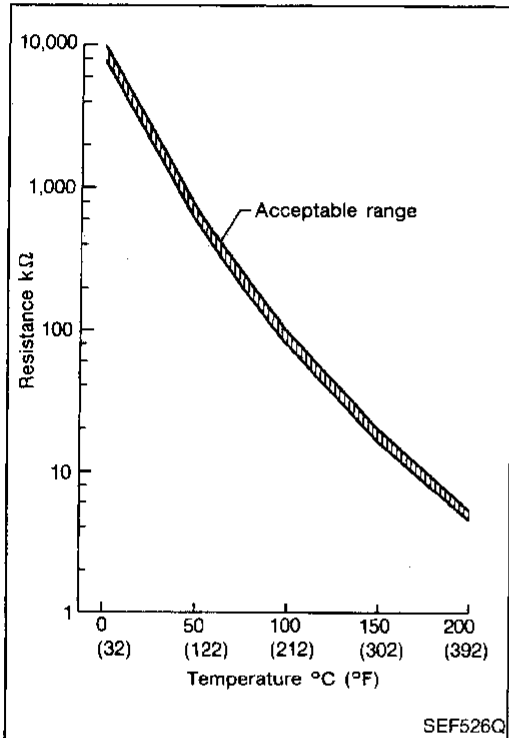
TROUBLE DIAGNOSIS FOR DTC P1401



EGR Temperature Sensor

COMPONENT DESCRIPTION

The EGR temperature sensor detects temperature changes in the EGR passage way. When the EGR valve opens, hot exhaust gases flow, and the temperature in the passage way changes. The EGR temperature sensor is a thermistor that modifies a voltage signal sent from the ECM. This modified signal then returns to the ECM as an input signal. As the temperature increases, EGR temperature sensor resistance decreases. This sensor is not used to control the engine system. It is used only for the on board diagnosis.



<Reference data>

EGR temperature °C (°F)	Voltage (V)	Resistance (MΩ)
0 (32)	4.81	7.9 - 9.7
50 (122)	2.82	0.57 - 0.70
100 (212)	0.8	0.08 - 0.10

ON BOARD DIAGNOSIS LOGIC

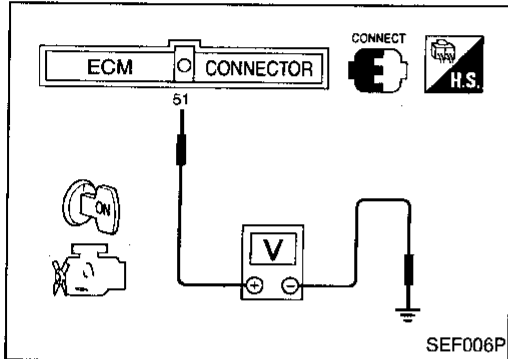
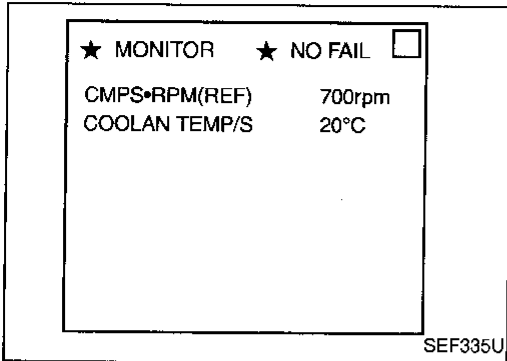
Diagnostic Trouble Code No.	Malfunction is detected when	Check Items (Possible Cause)
P1401 0305	A) An excessively low voltage from the EGR temperature sensor is sent to ECM even when engine coolant temperature is low.	<ul style="list-style-type: none"> • Harness or connectors (The EGR temperature sensor circuit is shorted.) • EGR temperature sensor • Malfunction of EGR function, EGRC-BPT valve or EGRC-solenoid valve
	B) An excessively high voltage from the EGR temperature sensor is sent to ECM even when engine coolant temperature is high.	<ul style="list-style-type: none"> • Harness or connectors (The EGR temperature sensor circuit is open.) • EGR temperature sensor • Malfunction of EGR function, EGRC-BPT valve or EGRC-solenoid valve

TROUBLE DIAGNOSIS FOR DTC P1401

EGR Temperature Sensor (Cont'd)

DIAGNOSTIC TROUBLE CODE CONFIRMATION PROCEDURE

Perform "Procedure for malfunction A" first. If DTC cannot be confirmed, perform "Procedure for malfunction B".



- 1) Turn ignition switch "ON".
- 2) Select "DATA MONITOR" mode with CONSULT.
- 3) Verify that engine coolant temperature is less than 40°C (104°F).

If the engine coolant temperature is above the range, cool the engine down.

- 4) Start engine and let it idle for at least 8 seconds.

OR



- 1) Turn ignition switch "ON".
- 2) Select "MODE 1" with GST.
- 3) Verify that engine coolant temperature is less than 40°C (104°F).

If the engine coolant temperature is above the range, cool the engine down.

- 4) Start engine and let it idle for at least 8 seconds.
- 5) Select "MODE 7" with GST.

OR



- 1) Turn ignition switch "ON".
- 2) Verify that voltage between ECM terminal 51 (engine coolant temperature) is more 1.5V.

If the voltage is below the range, cool the engine down.

- 3) Start engine and let it idle for at least 8 seconds.
- 4) Turn ignition switch "OFF" and wait at least 5 seconds.
- 5) Turn ignition switch "ON" and perform "Diagnostic Test Mode (Self-diagnostic results)" with ECM.

Procedure for malfunction B

CAUTION:

Always drive vehicle at a safe speed.

NOTE:

If "DIAGNOSTIC TROUBLE CODE CONFIRMATION PROCEDURE" has been previously conducted, always turn ignition switch "OFF" and wait at least 5 seconds before conducting the next test.

TESTING CONDITION:

Always perform the test at a temperature of -10°C (14°F) or higher.

GI

MA

EM

LC

EC

FE

CL

MT

AT

PD

FA

RA

BR

ST

RS

BT

HA

EL

IDX

TROUBLE DIAGNOSIS FOR DTC P1401

EGR Temperature Sensor (Cont'd)

★ MONITOR	★ NO FAIL	<input type="checkbox"/>
CMPS•RPM(REF)	1500rpm	
COOLAN TEMP/S	85°C	
VHCL SPEED SEN	0km/h	
THRTL POS SEN	1.68V	
B/FUEL SCHDL	1.0msec	

SEF336U



- 1) Start engine and warm it up to normal operating temperature.
- 2) Run engine at idle for at least 2 minutes.
- 3) Confirm that EGR valve is not lifting.
If the check result is NG, go to "TROUBLE DIAGNOSES FOR DTC P0400, P0402 and P1402". (See pages EC-243, 251 and 340.)
- 4) Select "DATA MONITOR" mode with CONSULT.
- 5) Read "EGR TEMP SEN" at about 1,500 rpm while holding the EGR valve in full open position by hand.
Voltage should decrease to less than 1.0V.
If the check result is NG, go to "DIAGNOSTIC PROCEDURE", EC-338.
If the check result is OK, go to following step.
- 6) Turn ignition switch "OFF" and wait at least 5 seconds.
- 7) Turn ignition switch "ON".
- 8) Check the output voltage of "THRTL POS SEN" at closed throttle position and note it.
- 9) Start engine.
- 10) Maintain the following conditions for at least 5 consecutive seconds.

CMPS-RPM (REF): 2,000 - 3,000 rpm (A/T)

1,800 - 3,000 rpm (M/T)

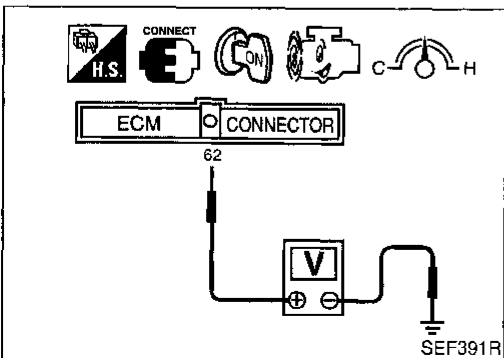
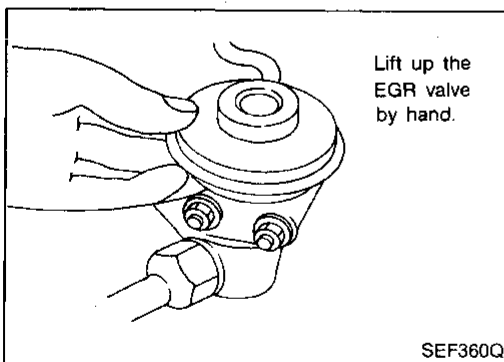
VHCL SPEED SE: 10 km/h (6 MPH) or more

B/FUEL SCHDL: 2.5 - 4 ms

THRTL POS SEN: (X + 0.38) - (X + 0.70) V

X = Voltage value measured at step 7)

Selector lever: Suitable position



OR

OVERALL FUNCTION CHECK

Use this procedure to check the overall function of the EGR temperature sensor. During this check, a 1st trip DTC might not be confirmed.

Procedure for malfunction B

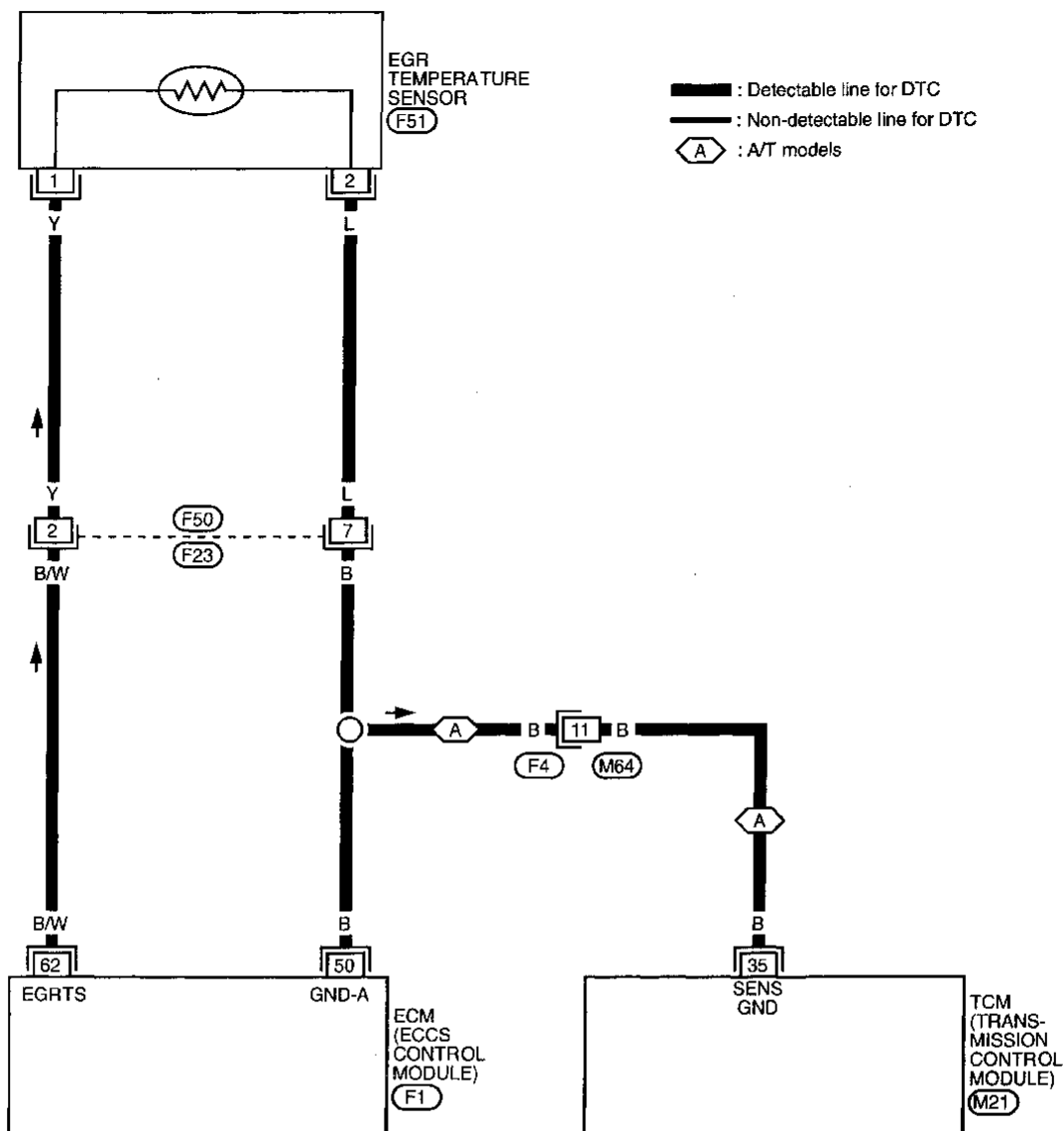


- 1) Start engine and warm it up to normal operating temperature.
- 2) Run engine at idle for at least 2 minutes.
- 3) Confirm that EGR valve is not lifting. If NG, go to TROUBLE DIAGNOSES FOR DTC P0400 and P0402 (See pages EC-243 and 251).
- 4) Check voltage between ECM terminal 62 and ground at about 1,500 rpm with EGR valve lifted up to the full position by hand.
Voltage should decrease to less than 1.0V.
- 5) If step 4 is OK, perform TROUBLE DIAGNOSES FOR DTC P0400, P0402 and P1400 (See pages EC-243, 251 and 329).

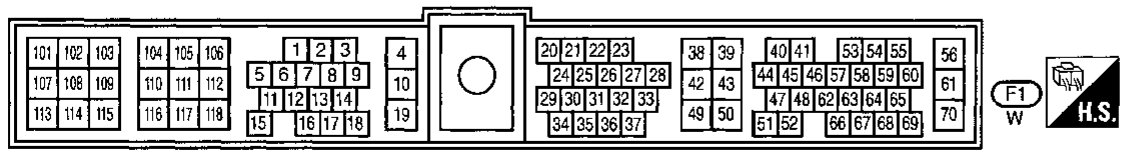
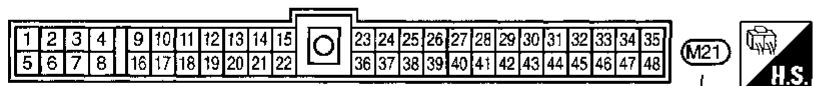
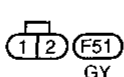
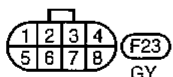
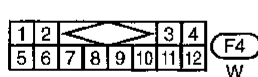
TROUBLE DIAGNOSIS FOR DTC P1401

EGR Temperature Sensor (Cont'd)

EC-EGR/TS-01



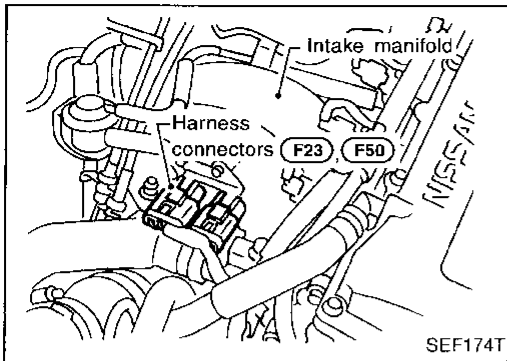
GI
 MA
 EM
 LC
EC
 FE
 CL
 MT
 AT
 PD
 FA
 RA
 BR
 ST
 RS
 BT
 HA
 EL
 IDX



TROUBLE DIAGNOSIS FOR DTC P1401

EGR Temperature Sensor (Cont'd)

DIAGNOSTIC PROCEDURE



INSPECTION START

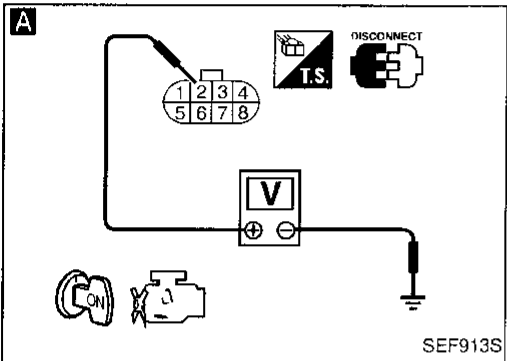
A

CHECK POWER SUPPLY.

- 1) Disconnect harness connectors (F50), (F23).
- 2) Turn ignition switch "ON".
- 3) Check voltage between terminal ② and ground with CONSULT or tester.

Voltage: Approximately 5V

NG → Repair harness or connectors.



B

CHECK GROUND CIRCUIT.

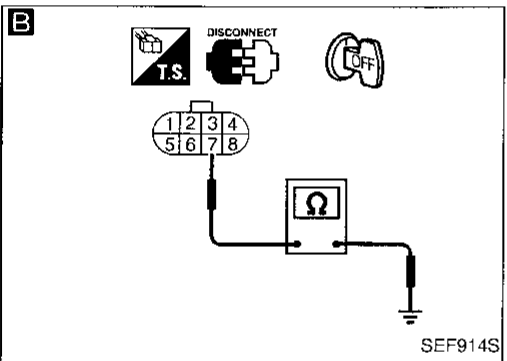
- 1) Turn ignition switch "OFF".
- 2) Check harness continuity between terminal ⑦ and engine ground.

Continuity should exist.
If OK, check harness for short.

NG → Check the following.

- Harness connectors (F4), (M64)
- Harness continuity between ECM and harness connector (F23)
- Harness for open or short between TCM and harness connector (F23)

If NG, repair open circuit or short to ground or short to power in harness or connector.



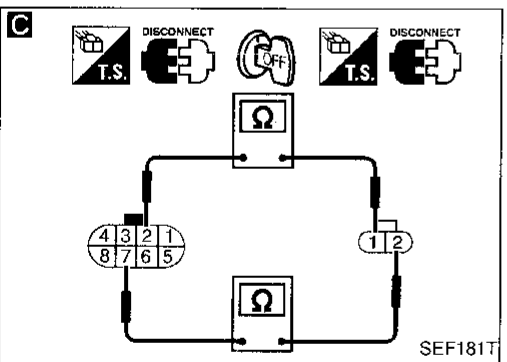
C

CHECK HARNESS CONTINUITY.

- 1) Disconnect EGR temperature sensor harness connector.
- 2) Check harness continuity between harness connector (F50) terminal ② and harness connector (F51) terminal ①, harness connector (F50) terminal ⑦ and harness connector (F51) terminal ②.

Continuity should exist.
If OK, check harness for short.

NG → Repair harness or connectors.



CHECK COMPONENT
(EGR temperature sensor).
Refer to "COMPONENT INSPECTION" on next page.

NG → Replace EGR temperature sensor.

OK → Perform "TROUBLE DIAGNOSIS FOR INTERMITTENT INCIDENT", EC-96.

INSPECTION END

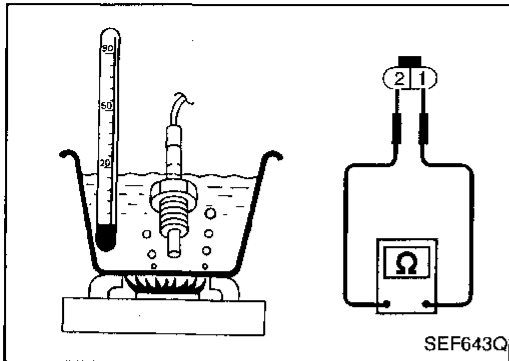
TROUBLE DIAGNOSIS FOR DTC P1401

EGR Temperature Sensor (Cont'd)

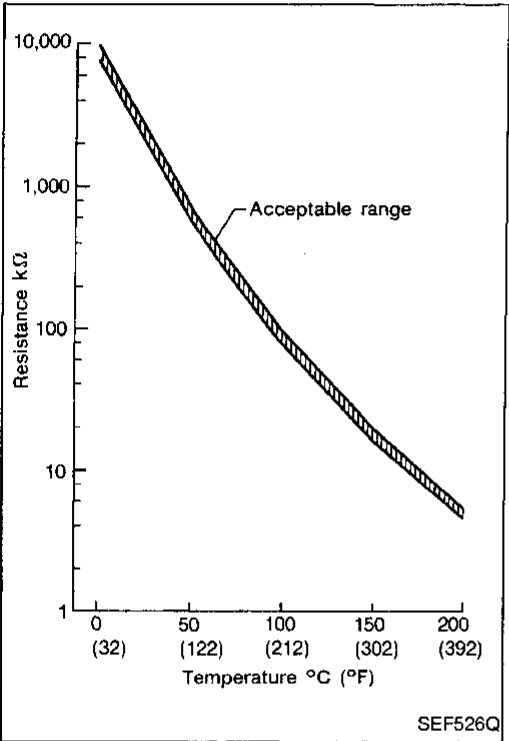
COMPONENT INSPECTION

EGR temperature sensor

Check resistance change and resistance value.



SEF643Q



SEF526Q

<Reference data>

EGR temperature °C (°F)	Voltage (V)	Resistance (MΩ)
0 (32)	4.81	7.9 - 9.7
50 (122)	2.82	0.57 - 0.70
100 (212)	0.8	0.08 - 0.10

If NG, replace EGR temperature sensor.

GI

MA

EM

LC

EC

FE

CL

MT

AT

PD

FA

RA

BR

ST

RS

BT

HA

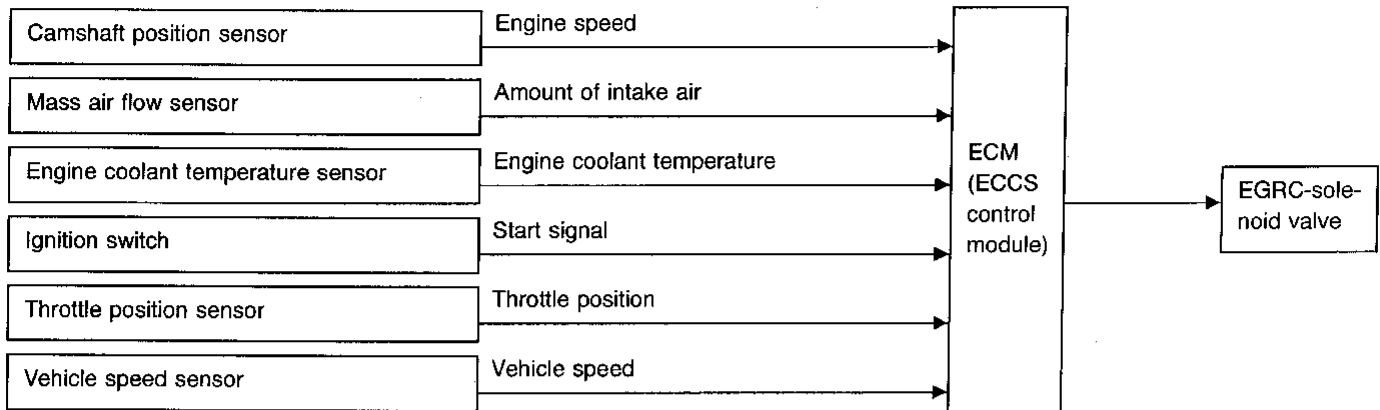
EL

IDX

TROUBLE DIAGNOSIS FOR DTC P1402

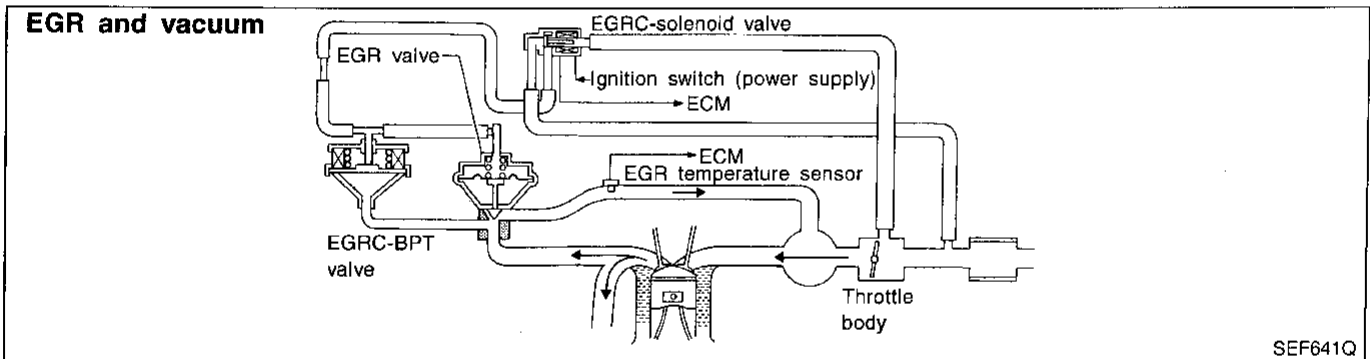
EGR Function (Open)

SYSTEM DESCRIPTION

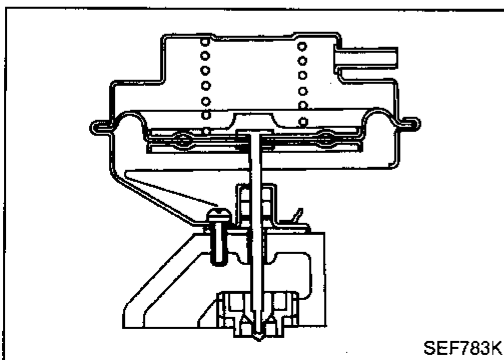


This system cuts and controls vacuum applied to the EGR valve to suit engine operating conditions. This cut-and-control operation is accomplished through the ECM and the EGRC-solenoid valve. When the ECM detects any of the following conditions, current flows through the solenoid valve. This causes the port vacuum to be discharged into the atmosphere. The EGR valve remains closed.

- Low engine coolant temperature
- Engine starting
- High-speed engine operation
- Engine idling
- Excessively high engine coolant temperature
- Mass air flow sensor malfunction



SEF641Q



SEF783K

COMPONENT DESCRIPTION

Exhaust gas recirculation (EGR) valve

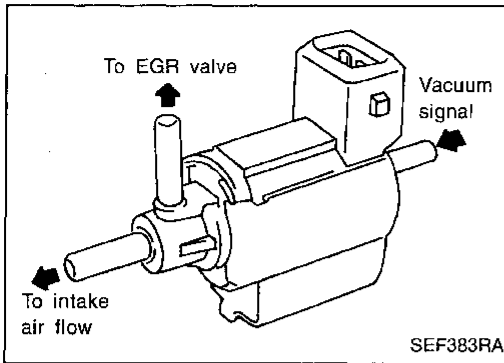
The EGR valve controls the amount of exhaust gas routed to the intake manifold. Vacuum is applied to the EGR valve in response to throttle valve opening. The vacuum controls the movement of a taper valve connected to the vacuum diaphragm in the EGR valve.

TROUBLE DIAGNOSIS FOR DTC P1402

EGR Function (Open) (Cont'd)

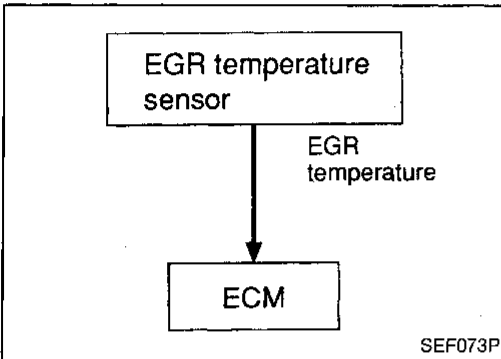
EGRC-solenoid valve

The EGRC-solenoid valve responds to signals from the ECM. When the ECM sends an ON (ground) signal, the coil in the solenoid valve is energized. A plunger will then move to cut the vacuum signal (from the throttle body to the EGR valve). When the ECM sends an OFF signal, the vacuum signal passes through the solenoid valve. The signal then reaches the EGR valve.

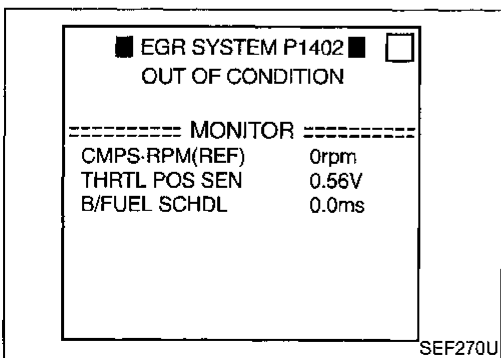
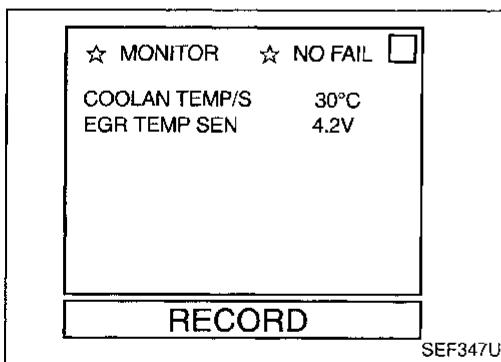


ON BOARD DIAGNOSIS LOGIC

If EGR temperature sensor detects EGR flow under the condition that does not call for EGR, a high-flow malfunction is diagnosed.



Diagnostic Trouble Code No.	Malfunction is detected when ...	Check Items (Possible Cause)
P1402 0514	<ul style="list-style-type: none"> The exhaust gas recirculation (EGR) flow is excessively high during the specified driving condition. 	<ul style="list-style-type: none"> EGRC-solenoid valve EGR valve leaking or stuck open EGR temperature sensor EGRC-BPT valve



DIAGNOSTIC TROUBLE CODE CONFIRMATION PROCEDURE

NOTE:

If "DIAGNOSTIC TROUBLE CODE CONFIRMATION PROCEDURE" has been previously conducted, always turn ignition switch "OFF" and wait at least 5 seconds before conducting the next test.

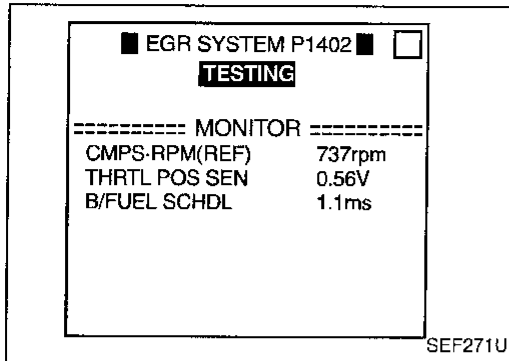
TESTING CONDITION:

- Always perform the test at a temperature of -10°C (14°F) or higher.
- Engine coolant temperature and EGR temperature must be verified in "DATA MONITOR" mode with CONSULT before starting DTC WORK SUPPORT test. If it is out of range below, the test cannot be conducted.
COOLAN TEMP/S: -10 to 40°C (14 to 104°F)
EGR TEMP SEN: Less than 4.8V

If the values are out of the ranges indicated above, park the vehicle in a cool place and allow the engine temperature to stabilize. Do not attempt to reduce the coolant or EGR temperature with a fan or means other than ambient air. Doing so may produce an inaccurate diagnostic result.

TROUBLE DIAGNOSIS FOR DTC P1402

EGR Function (Open) (Cont'd)

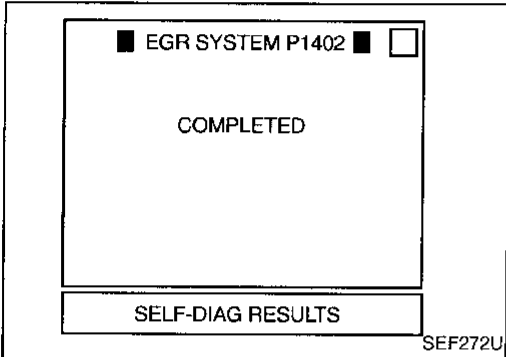


- 1) Turn ignition switch "ON".
- 2) Select "EGR SYSTEM P1402" of "EGR SYSTEM" in "DTC WORK SUPPORT" mode with CONSULT.
- 3) Touch "START".
- 4) Start engine and let it idle until "TESTING" on CONSULT screen is turned to "COMPLETED". (It will take 60 seconds or more.)

If "TESTING" is not displayed after 5 minutes, turn ignition "OFF" and cool the engine coolant temperature to the range of -10 to 40°C (14 to 104°F). Retry from step 1).

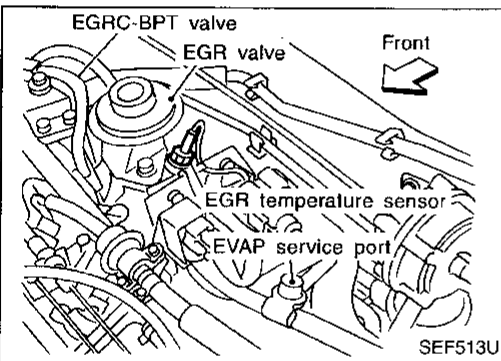
- 5) Make sure that "OK" is displayed after touching "SELF-DIAG RESULTS". If "NG" is displayed, refer to "DIAGNOSTIC PROCEDURE", EC-344.

OR

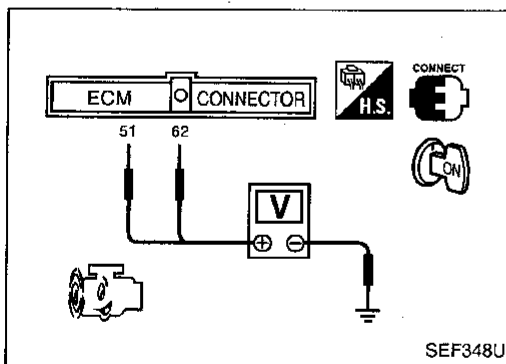


- 1) Turn ignition switch "ON" and select "MODE 1" with GST.
- 2) Check that engine coolant temperature is within the range of -10 to 40°C (14 to 104°F).
- 3) Check that voltage between ECM terminal ② (EGR temperature) and ground is less than 4.8V.
- 4) Start engine and let it idle for at least 60 seconds.
- 5) Stop engine.
- 6) Perform from step 1) to 4).
- 7) Select "MODE 3" with GST.

OR



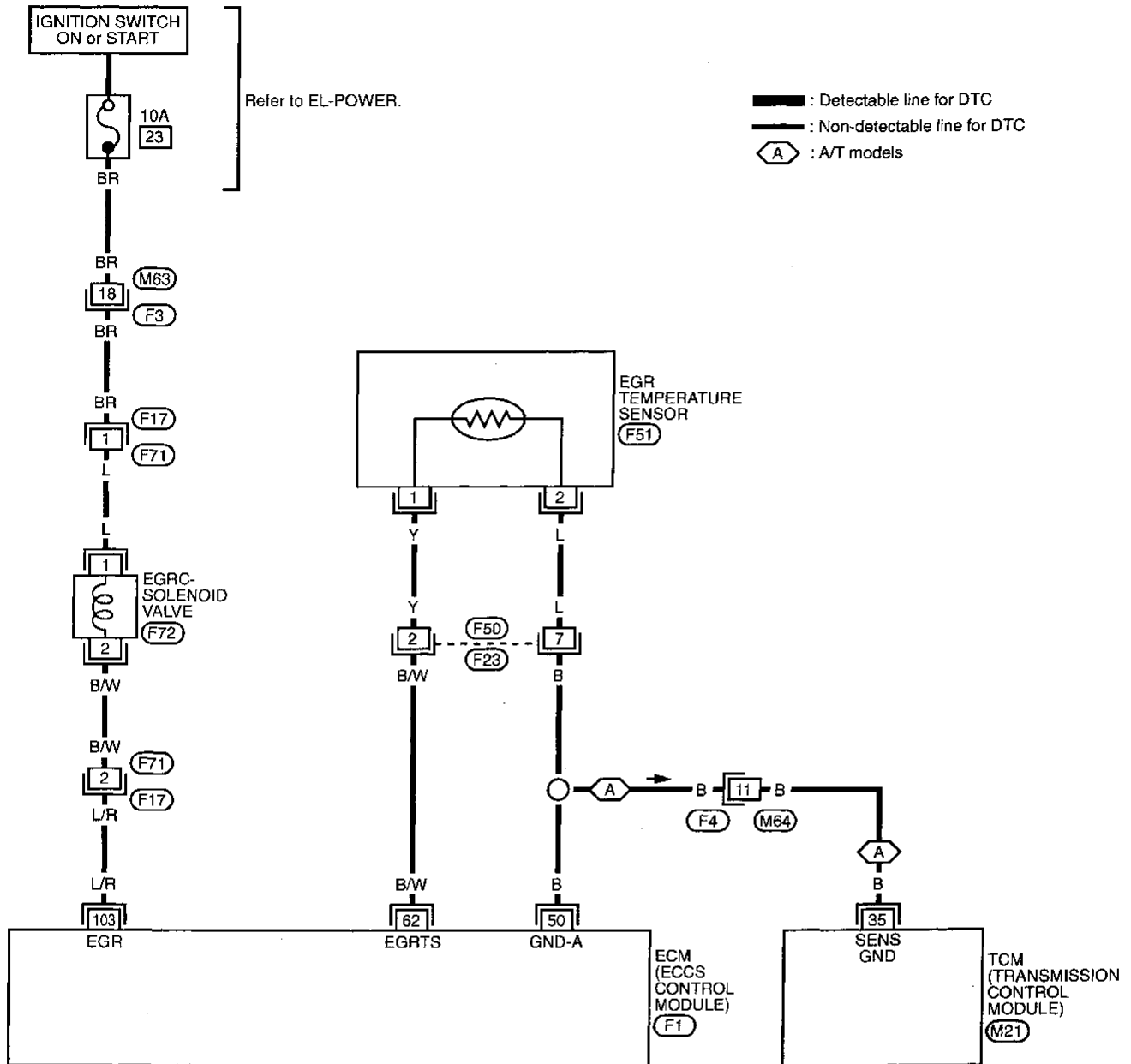
- 1) Turn ignition switch "ON".
- 2) Check the following voltages.
ECM terminal ⑤ (engine coolant temperature) and ground:
1.5 - 4.4V
ECM terminal ② (EGR temperature) and ground:
Less than 4.8V
- 3) Start engine and let it idle for at least 60 seconds.
- 4) Turn ignition switch "OFF", wait at least 5 seconds and then turn "ON".
- 5) Perform "Diagnostic Test Mode II (Self-diagnostic results)" with ECM.



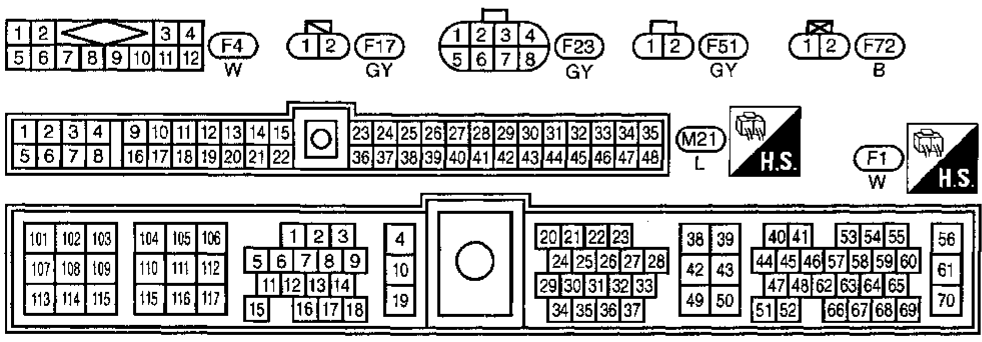
TROUBLE DIAGNOSIS FOR DTC P1402

EGR Function (Open) (Cont'd)

EC-EGRC1-01



GI
 MA
 EM
 LC
EC
 FE
 CL
 MT
 AT
 PD
 FA
 RA
 BR
 ST
 RS
 BT
 HA
 EL
 IDX

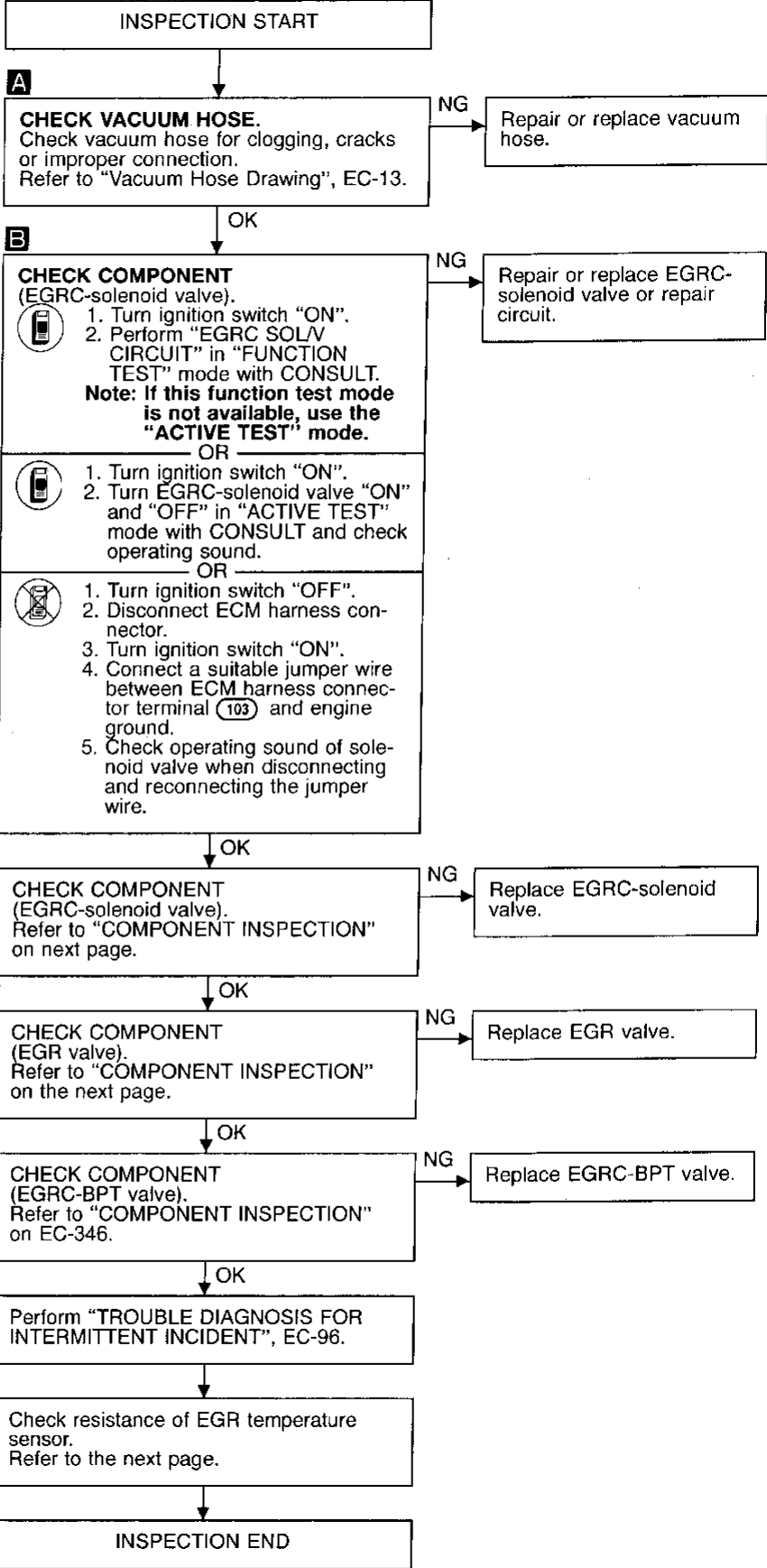
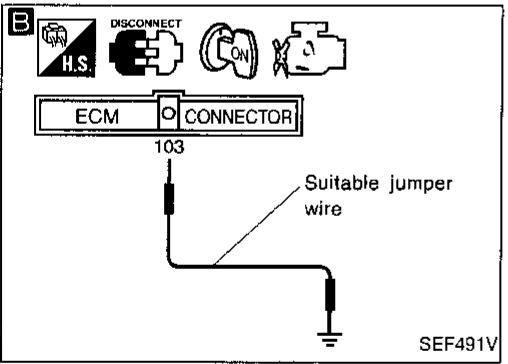
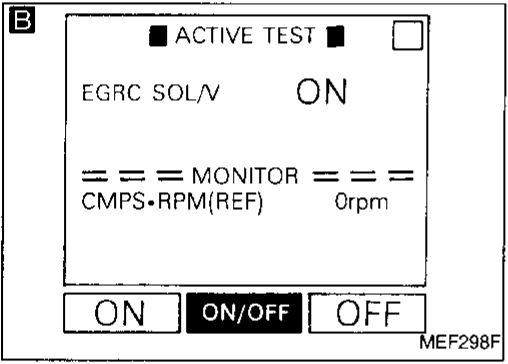
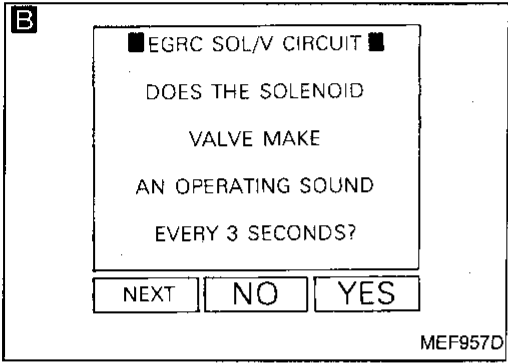
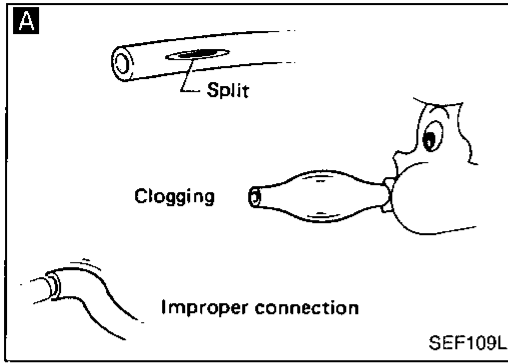


Refer to last page (Foldout page).
M63 F3

TROUBLE DIAGNOSIS FOR DTC P1402

EGR Function (Open) (Cont'd)

DIAGNOSTIC PROCEDURE



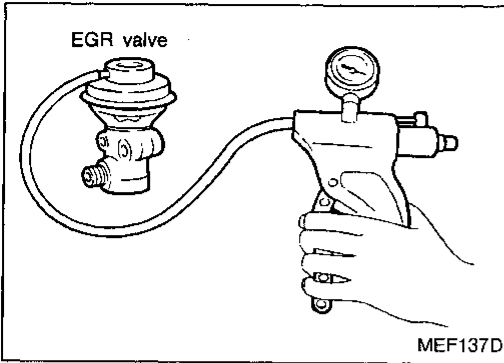
TROUBLE DIAGNOSIS FOR DTC P1402

EGR Function (Open) (Cont'd)

COMPONENT INSPECTION

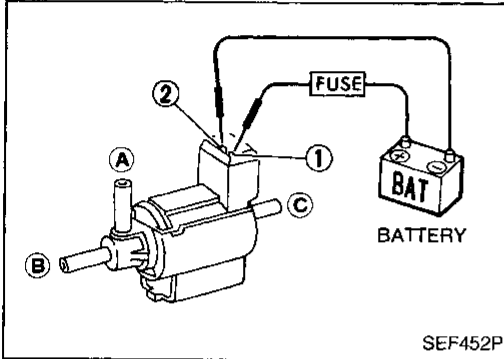
EGR valve

- Apply vacuum to EGR vacuum port with a hand vacuum pump. **EGR valve spring should lift.**
 - Check for sticking
- If NG, repair or replace EGR valve.



EGRC-solenoid valve

Check solenoid valve, following the table as shown below:



Conditions	Air passage continuity between (A) and (B)	Air passage continuity between (A) and (C)
12V direct current supply between terminals ① and ②	Yes	No
No supply	No	Yes

If NG, replace EGRC-solenoid valve.

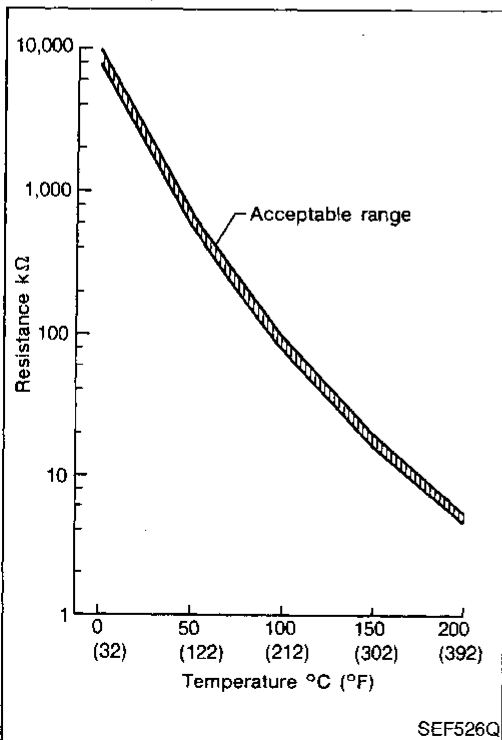
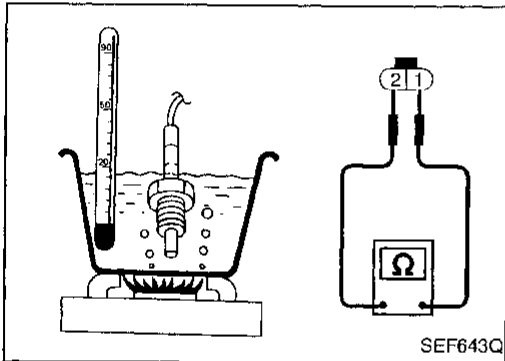
EGR temperature sensor

Check resistance change and resistance value.

<Reference data>

EGR temperature °C (°F)	Voltage (V)	Resistance (MΩ)
0 (32)	4.81	7.9 - 9.7
50 (122)	2.82	0.57 - 0.70
100 (212)	0.8	0.08 - 0.10

If NG, replace EGR temperature sensor.

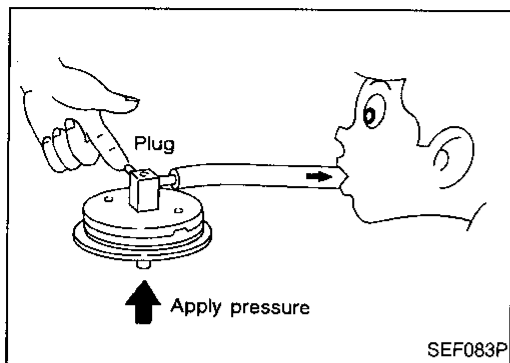


TROUBLE DIAGNOSIS FOR DTC P1402

EGR Function (Open) (Cont'd)

EGRC-BPT valve

1. Plug one of two ports of EGRC-BPT valve.
2. Vacuum from the other port and check for leakage while applying a pressure above 0.981 kPa (100 mmH₂O, 3.94 inH₂O) from under EGRC-BPT valve.
3. If a leakage is noted, replace the valve.



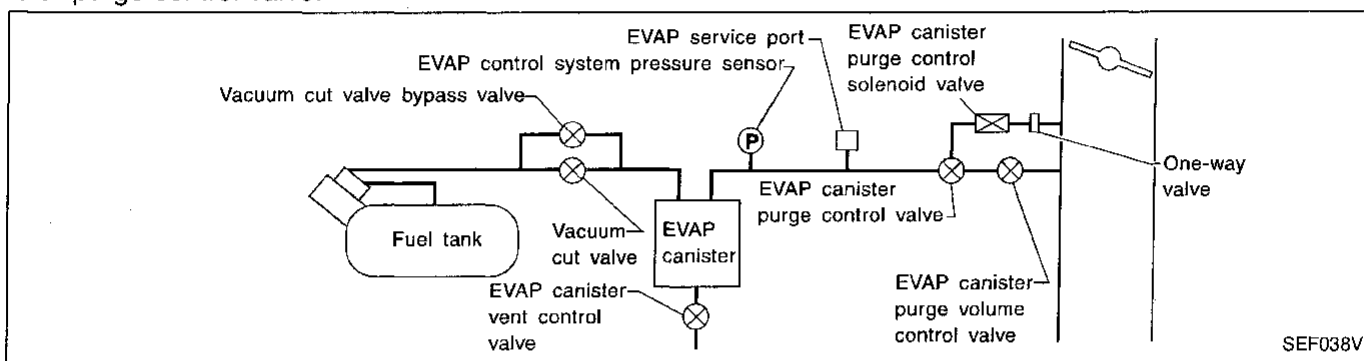
TROUBLE DIAGNOSIS FOR DTC P1440

Evaporative Emission (EVAP) Control System (Small Leak) (Positive Pressure)

Note: If both DTC P1440 and P1448 are displayed, perform TROUBLE DIAGNOSIS FOR DTC P1448 first.
(See EC-378.)

ON BOARD DIAGNOSIS LOGIC

This diagnosis detects leaks in the EVAP purge line using of vapor pressure in the fuel tank. The EVAP canister vent control valve is closed to shut the EVAP purge line. The vacuum cut valve bypass valve will then be opened to clear the line between the fuel tank and the EVAP canister purge control valve. The EVAP control system pressure sensor can now monitor the pressure inside the fuel tank. If pressure increases, the ECM will check for leaks in the line between the vacuum cut valve and EVAP canister purge control valve.



ON BOARD DIAGNOSIS LOGIC

Diagnostic Trouble Code No.	Malfunction is detected when	Check Items (Possible Cause)
P1440 0213	<ul style="list-style-type: none"> ● EVAP control system has a leak. ● EVAP control system does not operate properly. 	<ul style="list-style-type: none"> ● Incorrect fuel tank vacuum relief valve ● Incorrect fuel filler cap used ● Fuel filler cap remains open or fails to close. ● Foreign matter caught in fuel filler cap. ● Leak is in line between intake manifold and EVAP canister purge control valve. ● Foreign matter caught in EVAP canister vent control valve. ● EVAP canister or fuel tank leaks ● EVAP purge line (pipe and rubber tube) leaks ● EVAP purge line rubber tube bent. ● Blocked or bent rubber tube to EVAP control system pressure sensor ● Loose or disconnected rubber tube ● EVAP canister vent control valve and the circuit ● EVAP canister purge control valve ● EVAP canister purge volume control valve ● EVAP canister purge control solenoid valve ● Absolute pressure sensor ● Tank fuel temperature sensor ● MAP/BARO switch solenoid valve ● Blocked or bent rubber tube to MAP/BARO switch solenoid valve ● O-ring of EVAP canister vent control valve is missing or damaged. ● Water separator ● EVAP canister is saturated with water.

CAUTION:

- Use only a genuine fuel filler cap as a replacement. If an incorrect fuel filler cap is used, the MIL may come on.
- If the fuel filler cap is not tightened properly, the MIL may come on.
- Use only a genuine rubber tube as a replacement.

TROUBLE DIAGNOSIS FOR DTC P1440

Evaporative Emission (EVAP) Control System (Small Leak) (Positive Pressure) (Cont'd)

DIAGNOSTIC TROUBLE CODE CONFIRMATION PROCEDURE

CAUTION:

- Never use compressed air or high pressure pump. Otherwise, EVAP system may be damaged.
- Do not exceed 4.12 kPa (0.042 kg/cm², 0.6 psi) of pressure in EVAP system.

NOTE:

- If "DIAGNOSTIC TROUBLE CODE CONFIRMATION PROCEDURE" has been previously conducted, always turn ignition switch "OFF" and wait at least 5 seconds before conducting the next test.
- Always remove service port adapter from service port when applying air up to 0.69 to 1.38 kPa (5.14 to 10.34 mmHg, 0.202 to 0.407 inHg).
- During the test, clamp the EVAP hose tightly as shown at left.
- If both DTC P1440 and P1448 are displayed, perform TROUBLE DIAGNOSIS FOR DTC P1448 first. (See EC-378.)



- 1) Turn ignition switch "ON".
- 2) Select "EVAP SML LEAK P1440" of "EVAPORATIVE SYSTEM" in "DTC WORK SUPPORT" mode with CONSULT. Follow the instruction displayed.
- 3) Make sure that "OK" is displayed. If "NG" is displayed, refer to "DIAGNOSTIC PROCEDURE", EC-350.

OR

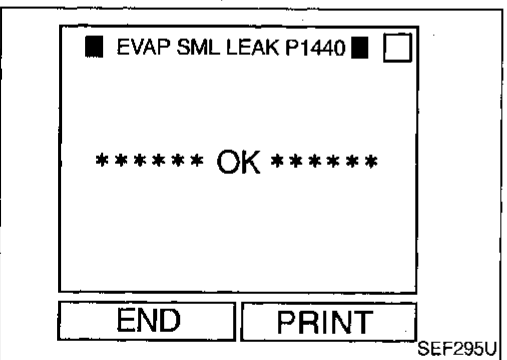
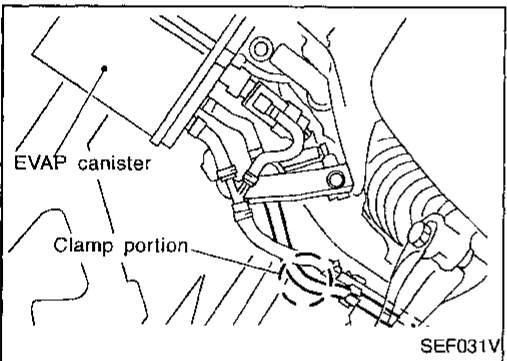
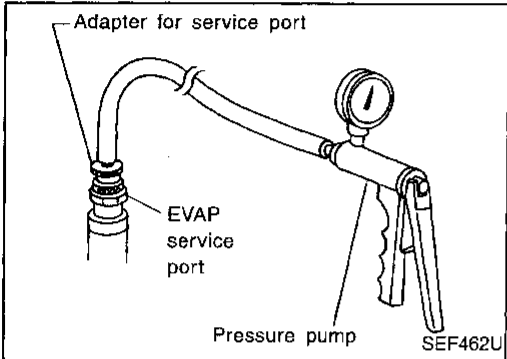
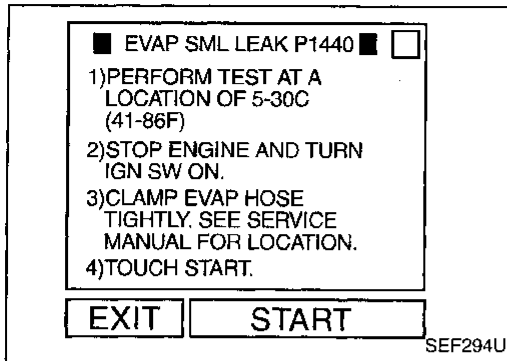
NOTE:

Be sure to read the explanation of "Driving pattern" on EC-38 before driving vehicle.



- 1) Start engine.
- 2) Drive vehicle according to "Driving pattern", EC-38.
- 3) Stop vehicle.
- 4) Select "MODE 1" with GST.
 - If SRT of EVAP system is not set yet, go to the following step.
 - If SRT of EVAP system is set, the result will be OK.
- 5) Turn ignition switch "OFF" and wait at least 5 seconds.
- 6) Start engine.

It is not necessary to cool engine down before driving.
- 7) Drive vehicle again according to the "Driving pattern", EC-38.
- 8) Stop vehicle.
- 9) Select "MODE 3" with GST.
 - If P1447 is displayed on the screen, go to "TROUBLE DIAGNOSIS FOR DTC P1447", EC-370.
 - If P0440 is displayed on the screen, go to "DIAGNOSTIC PROCEDURE", EC-263.
 - If P1440 is displayed on the screen, go to "DIAGNOSTIC PROCEDURE" in "TROUBLE DIAGNOSIS FOR DTC P1440", EC-350.
 - If P0440, P1440 and P1447 are not displayed on the screen, go to the following step.



TROUBLE DIAGNOSIS FOR DTC P1440

Evaporative Emission (EVAP) Control System (Small Leak) (Positive Pressure) (Cont'd)

10) Select "MODE 1" with GST.

- If SRT of EVAP system is set, the result will be OK.
- If SRT of EVAP system is not set, go to step 5).

OR

NOTE:

- Be sure to read the explanation of "Driving pattern" on EC-38 before driving vehicle.
- It is better that the fuel level is low.



- 1) Start engine.
- 2) Drive vehicle according to "Driving pattern", EC-38.
- 3) Stop vehicle.
- 4) Turn ignition switch "OFF" and wait at least 5 seconds.
- 5) Perform the step 1) to 4) again.
- 6) Turn ignition switch "ON" and perform "Diagnostic Test Mode (Self-diagnostic results)" with ECM.

GI

MA

EM

LC

EC

FE

CL

MT

AT

PD

FA

RA

BR

ST

RS

BT

HA

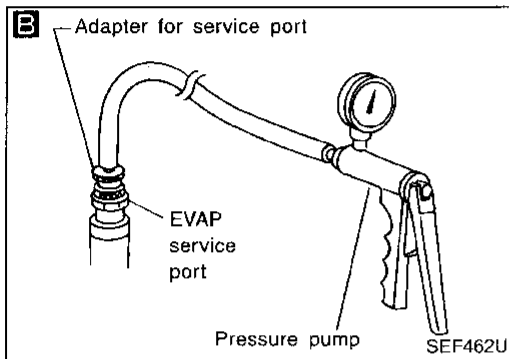
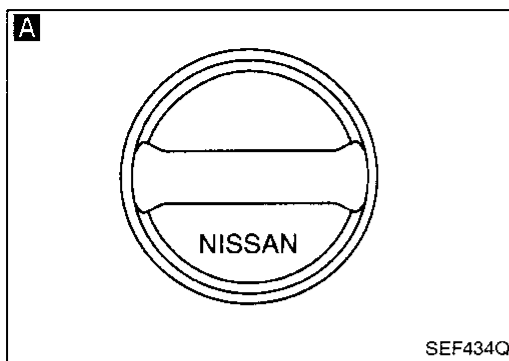
EL

IDX

TROUBLE DIAGNOSIS FOR DTC P1440

Evaporative Emission (EVAP) Control System (Small Leak) (Positive Pressure) (Cont'd)

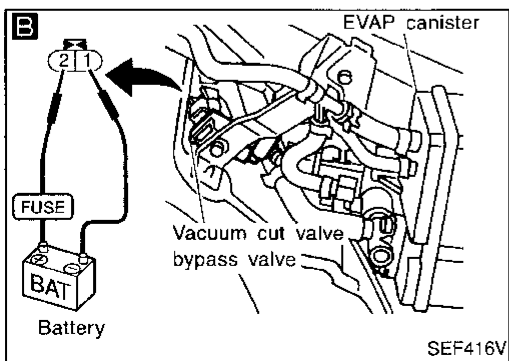
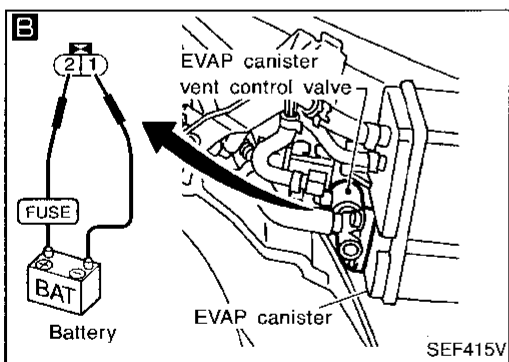
DIAGNOSTIC PROCEDURE



EVAP SYSTEM CLOSE
 APPLY PRESSURE TO EVAP SYSTEM FROM SERVICE PORT USING HAND PUMP WITH PRESSURE GAUGE AT NEXT SCREEN. NEVER USE COMPRESSED AIR OR HIGH PRESSURE PUMP!
 DO NOT START ENGINE. TOUCH START.

CANCEL START

SEF658U



INSPECTION START

A

CHECK FUEL FILLER CAP.

1. Check for genuine fuel filler cap design.
2. Check for air releasing sound while opening the fuel filler cap.

If the air releasing sound is heard, go to **B**.

If the air releasing sound is not heard, check the following.

Was the cap tightened properly?

If Yes, check fuel filler cap vacuum relief valve. Refer to "EVAPORATIVE EMISSION SYSTEM", EC-20.

If No, open fuel filler cap, then clean cap and filler neck thread using air blower. Retighten until ratcheting sound is heard.

NG
If genuine filler cap is not used, replace with genuine fuel filler cap.

B

CHECK FOR EVAP LEAK.

- Never use compressed air or high pressure pump.
- Improper installation of service port may cause leaking.
- Do not exceed 4.12 kPa (0.042 kg/cm², 0.6 psi) of pressure in the system.

To locate EVAP leak portion, proceed with the following steps.

1. Install the EVAP service port adapter and the pressure pump securely.
2. Turn ignition switch "ON". Select "EVAP SYSTEM CLOSE" of "WORK SUPPORT" mode with CONSULT.
3. Touch "START" and apply vacuum into the EVAP line until the pressure indicator reaches the middle of bar graph.
4. Remove adapter and pressure pump.
5. Using EVAP leak detector, locate the leak portion. For the leak detector, refer to instruction manual for more details. Refer to "EVAPORATIVE EMISSION SYSTEM", EC-20.

OR

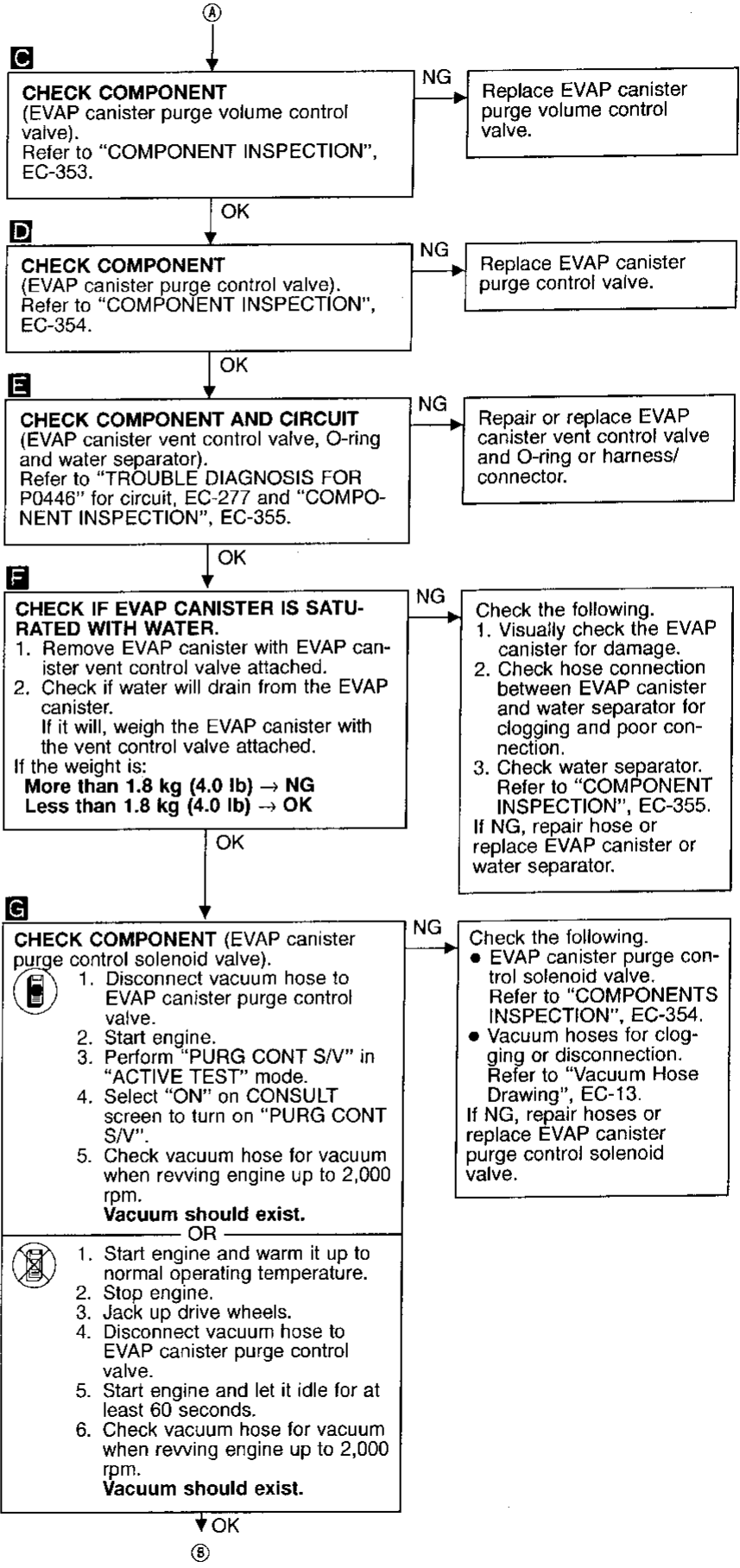
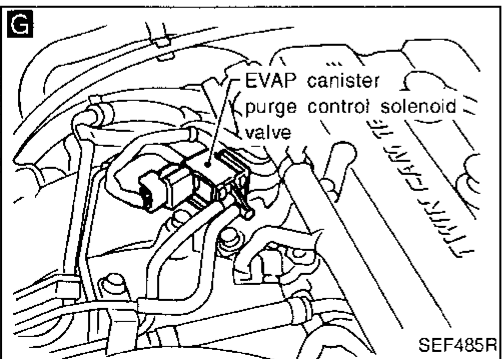
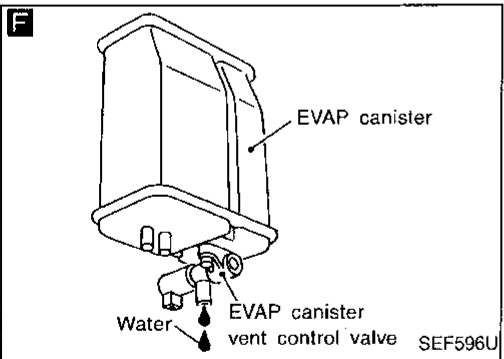
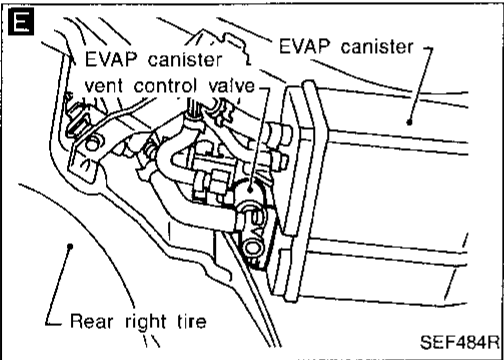
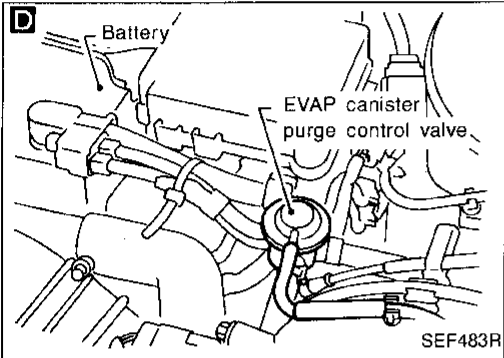
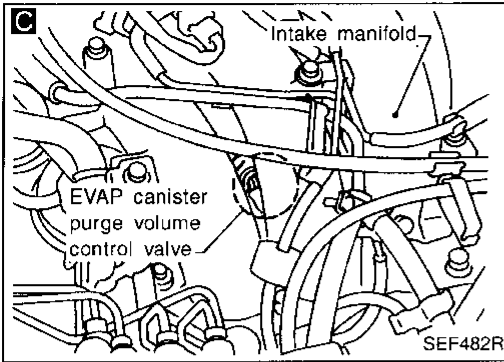
2. Turn ignition switch "OFF".
3. Apply 12 volts DC to EVAP canister vent control valve. The valve will close. (Continue to apply 12 volts until the end of test.)
4. Apply 12 volts DC to vacuum cut valve bypass valve. The valve will open. (Continue to apply 12 volts until the end of test.)
5. Pressurize the EVAP line using pressure pump with 1.3 to 2.7 kPa (10 to 20 mmHg, 0.39 to 0.79 inHg), then remove pump and service port adapter.
6. Locate the leak using a leak detector. Refer to the instruction manual for more details about the leak detector. Refer to "Evaporative Emission Line Drawing", EC-23.

NG
Repair or replace.

OK
A

TROUBLE DIAGNOSIS FOR DTC P1440

Evaporative Emission (EVAP) Control System (Small Leak) (Positive Pressure) (Cont'd)



GI
MA
EM
LC
EC
FE
CL
MT
AT
PD
FA
RA
BR
ST
RS
BT
HA
EL
IDX

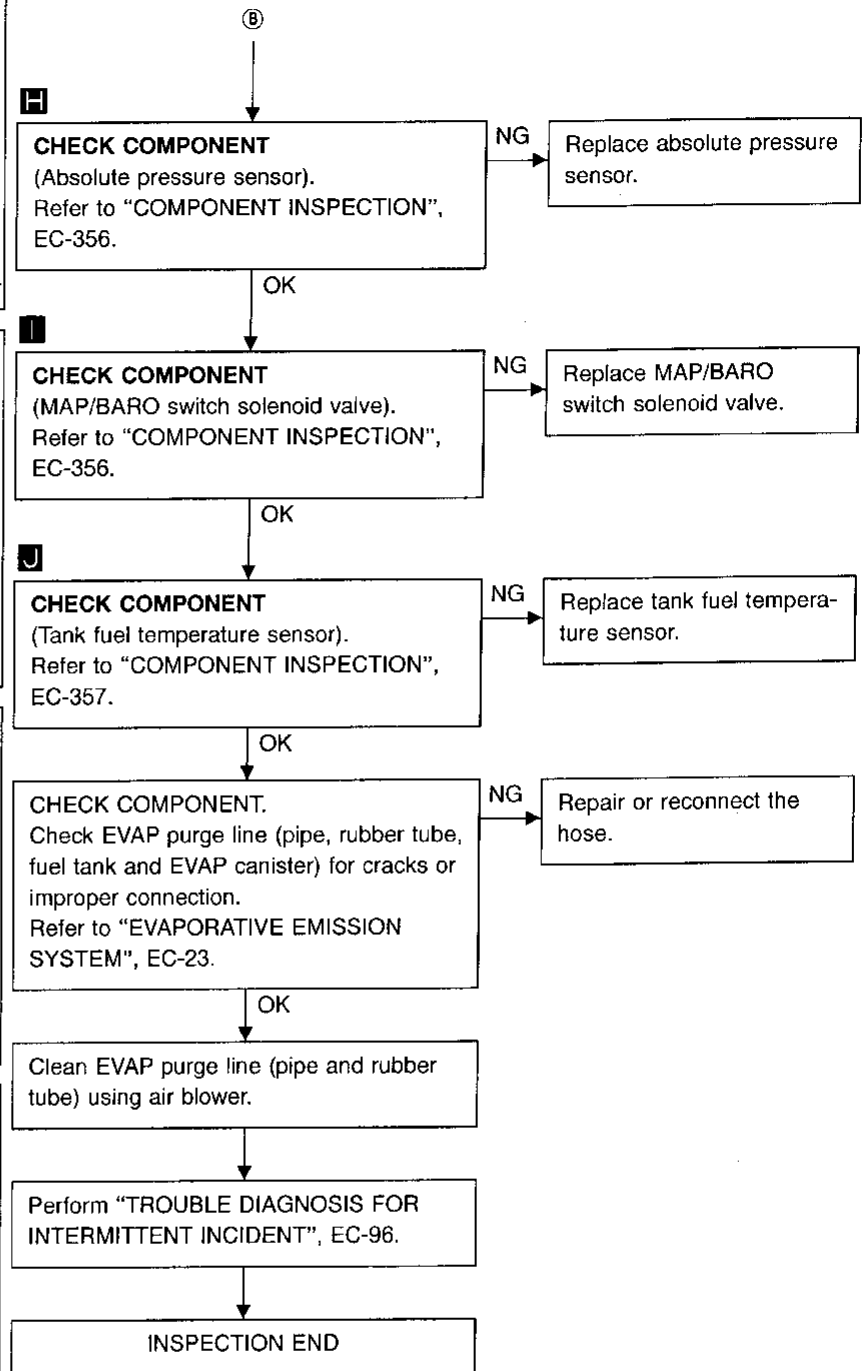
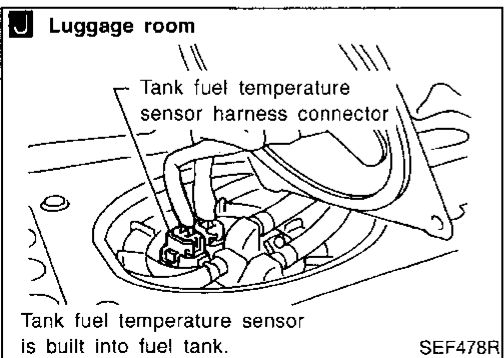
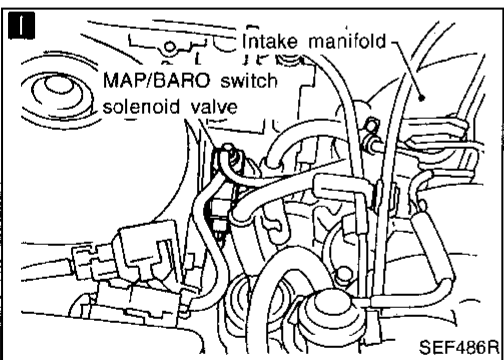
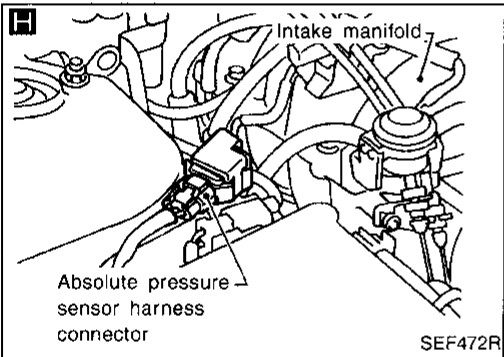
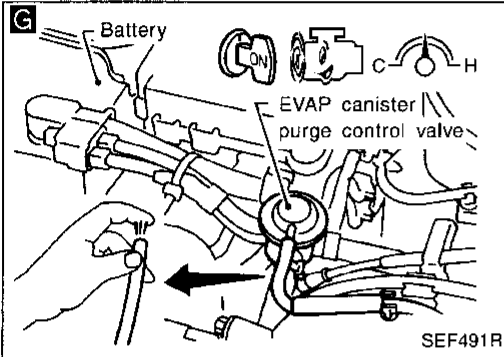
TROUBLE DIAGNOSIS FOR DTC P1440

Evaporative Emission (EVAP) Control System (Small Leak) (Positive Pressure) (Cont'd)

G

■ ACTIVE TEST ■		<input type="checkbox"/>
PURG CONT S/V (PURG CONT VAC)	O N	VC ON
===== MONITOR =====		
PURG CONT S/V	ON	
CMPS•RPM (REF)	2000rpm	
CLSD THLP SW	OFF	
ON	ON/OFF	OFF

SEF098T



TROUBLE DIAGNOSIS FOR DTC P1440

Evaporative Emission (EVAP) Control System (Small Leak) (Positive Pressure) (Cont'd)

COMPONENT INSPECTION

EVAP canister purge volume control valve

1. Disconnect EVAP canister purge volume control valve harness connector. GI
2. Check resistance between the following terminals. MA
 terminal ② and terminals ①, ③
 terminal ⑤ and terminals ④, ⑥

Resistance:

Approximately 35 - 43Ω [At 25°C (77°F)] EM

3. Reconnect EVAP canister purge volume control valve harness connector. LC
4. Remove EVAP canister purge volume control valve from intake manifold collector and disconnect hoses from the valve. EC

(Plug the purge hoses. The EVAP canister purge volume control valve harness connector should remain connected.)

5. Turn ignition switch "ON". FE
6. Perform "PURG VOL CONT/V" in "ACTIVE TEST" mode with CONSULT. Check that EVAP canister purge volume control valve shaft moves smoothly forward and backward according to the valve opening. CL

If NG, replace the EVAP canister purge volume control valve. MT

OR

1. Disconnect EVAP canister purge volume control valve harness connector. AT
2. Check resistance between the following terminals. PD
 terminal ② and terminals ①, ③
 terminal ⑤ and terminals ④, ⑥

Resistance:

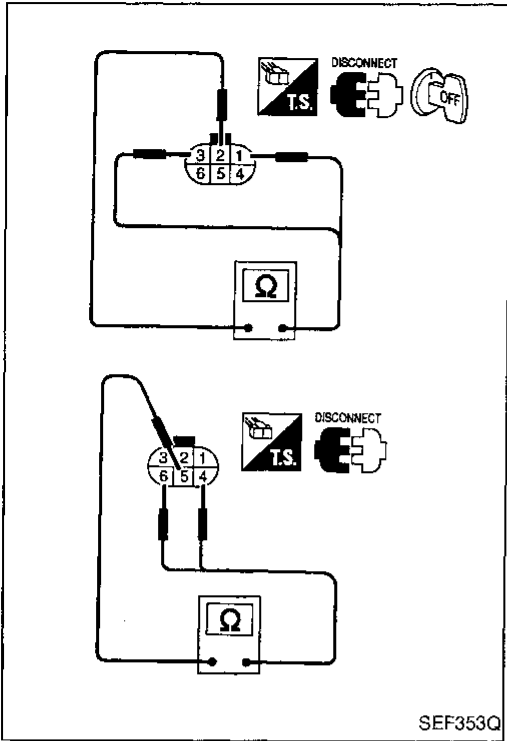
Approximately 35 - 43Ω [At 25°C (77°F)] FA

3. Reconnect EVAP canister purge volume control valve harness connector. RA
4. Remove EVAP canister purge volume control valve from intake manifold collector and disconnect hoses from the valve. BR

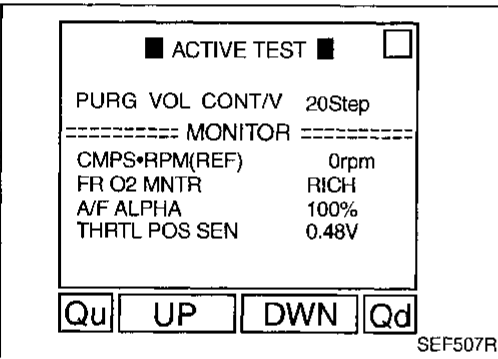
(Plug the purge hoses. The EVAP canister purge volume control valve harness connector should remain connected.)

5. Turn ignition switch "ON" and "OFF". Check that EVAP canister purge volume control valve shaft moves smoothly forward and backward according to the ignition switch position. ST

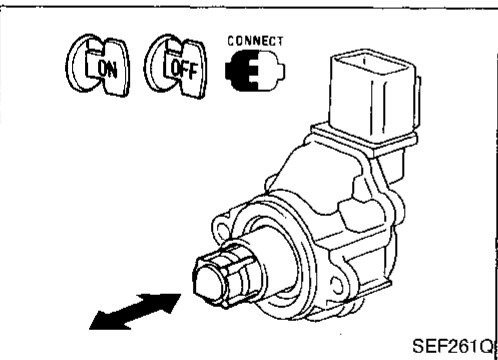
If NG, replace the EVAP canister purge volume control valve. RS



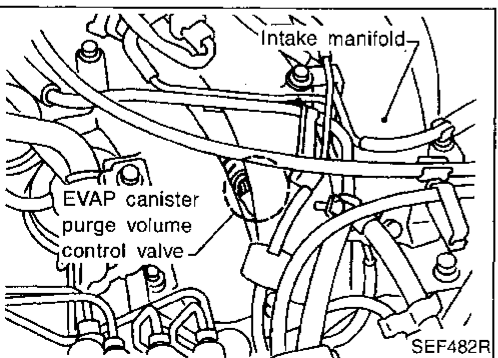
SEF353Q



SEF507R



SEF261Q



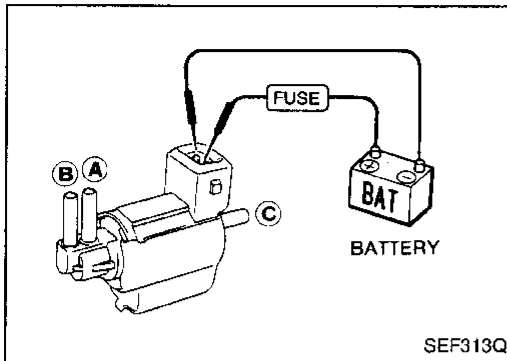
SEF482R

TROUBLE DIAGNOSIS FOR DTC P1440

Evaporative Emission (EVAP) Control System (Small Leak) (Positive Pressure) (Cont'd)

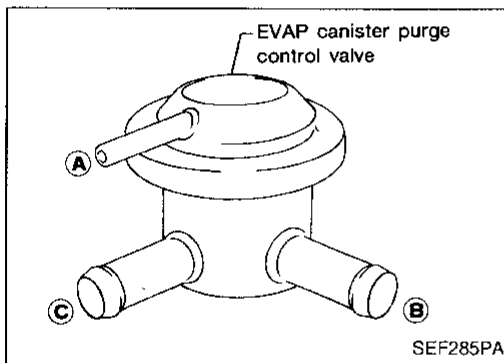
EVAP canister purge control solenoid valve

Check air passage continuity.



Condition	Air passage continuity between (A) and (B)	Air passage continuity between (A) and (C)
12V direct current supply between terminals	Yes	No
No supply	No	Yes

If NG, replace solenoid valve.



EVAP canister purge control valve

Check EVAP canister purge control valve as follows:

1. Blow air in port (A), (B) and (C), then ensure that there is no leakage.
2. Apply vacuum to port (A). [Approximately -13.3 to -20.0 kPa (-100 to -150 mmHg, -3.94 to -5.91 inHg)]
Blow air in port (C) and ensure free flow out of port (B).

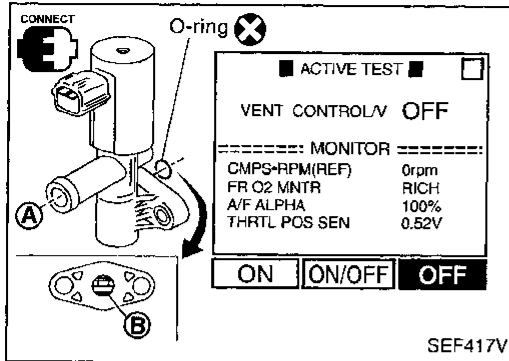
TROUBLE DIAGNOSIS FOR DTC P1440

Evaporative Emission (EVAP) Control System (Small Leak) (Positive Pressure) (Cont'd)

EVAP canister vent control valve

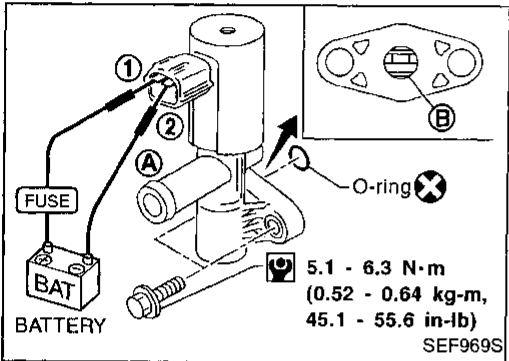
Check air passage continuity.

Perform "VENT CONTROL/V" in "ACTIVE TEST" mode.



Condition	Air passage continuity between (A) and (B)
VENT CONTROL/V	
Vent control valve ON	No
Vent control valve OFF	Yes

OR

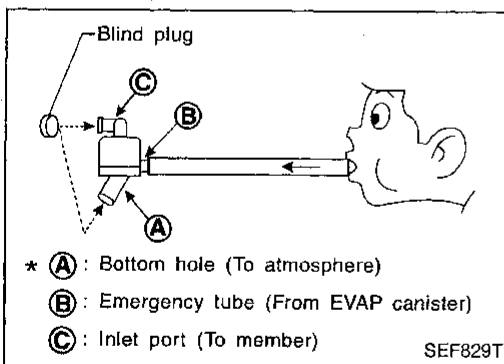


Condition	Air passage continuity between (A) and (B)
12V direct current supply between terminals ① and ②	No
No supply	Yes

If NG, clean valve using air blower or replace as necessary.

If the portion (B) is rusted, replace EVAP canister vent control valve.

Make sure new O-ring is installed properly.



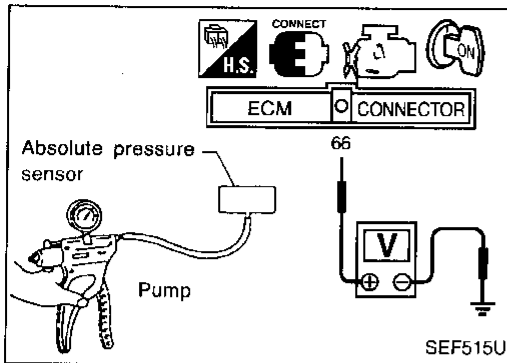
Water separator

1. Check visually for insect nests in the water separator air inlet.
 2. Check visually for cracks or flaws in the appearance.
 3. Check visually for cracks or flaws in the hose.
 4. Check that (A) and (C) are not clogged by blowing air into (B) with (A), and then (C) plugged.
 5. In case of NG in items 2 - 4, replace the parts.
- Do not disassemble water separator.

TROUBLE DIAGNOSIS FOR DTC P1440

Evaporative Emission (EVAP) Control System (Small Leak) (Positive Pressure) (Cont'd)

Absolute pressure sensor



1. Remove absolute pressure sensor with its harness connector connected.
2. Remove hose from absolute pressure sensor.
3. Turn ignition switch "ON" and check output voltage between ECM terminal 66 and engine ground.

The voltage should be 3.2 to 4.8V.

4. Use pump to apply vacuum of -26.7 kPa (-200 mmHg, -7.87 inHg) to absolute pressure sensor as shown in figure and check the output voltage.

The voltage should be 1.0 to 1.4V lower than the value measured in step 3.

CAUTION:

- Always calibrate the vacuum pump gauge when using it.
 - Do not apply pressure below -93.3 kPa (-700 mmHg, -27.56 inHg) or over 101.3 kPa (760 mmHg, 29.92 inHg).
5. If NG, replace absolute pressure sensor.

MAP/BARO switch solenoid valve

1. Start engine and warm it up to normal operating temperature.
2. Perform "MAP/BARO SW/V" in "ACTIVE TEST" mode with CONSULT.
3. Check the following.
 - Condition: At idle under no-load
 - CONSULT display

MAP/BARO	ABSOL PRES/SE (Voltage)
BARO	More than 2.6V
MAP	Less than the voltage at BARO

- Time for voltage to change

MAP/BARO SW/V	Required time to switch
BARO to MAP	Less than 1 second
MAP to BARO	

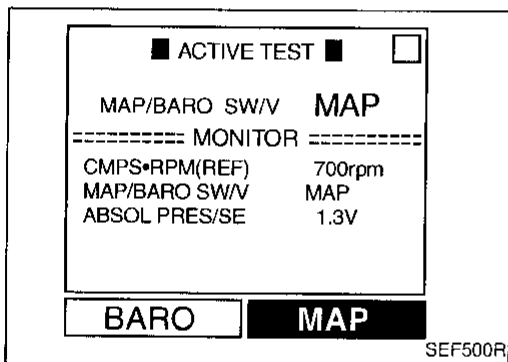
4. If NG, check solenoid valve as shown below.

OR

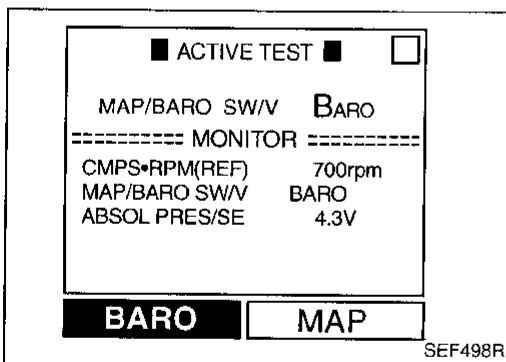
1. Remove MAP/BARO switch solenoid valve.
2. Check air passage continuity.

Condition	Air passage continuity between (A) and (B)	Air passage continuity between (A) and (C)
12V direct current supply between terminals ① and ②	Yes	No
No supply	No	Yes

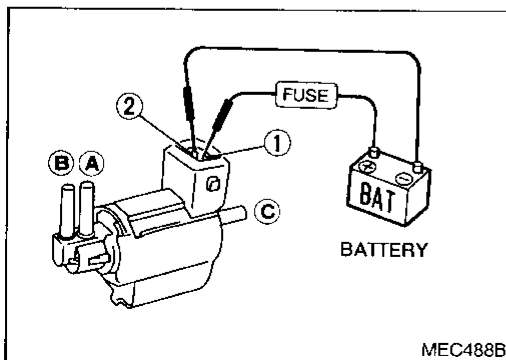
3. If NG, replace solenoid valve.



SEF500R



SEF498R



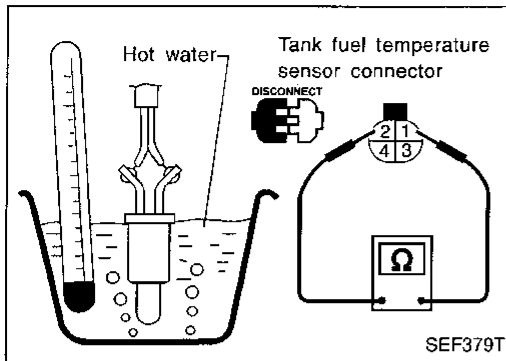
MEC488B

TROUBLE DIAGNOSIS FOR DTC P1440

Evaporative Emission (EVAP) Control System (Small Leak) (Positive Pressure) (Cont'd)

Tank fuel temperature sensor

Check resistance by heating with hot water or heat gun as shown in the figure.



Temperature °C (°F)	Resistance kΩ
20 (68)	2.3 - 2.7
50 (122)	0.79 - 0.90

If NG, replace tank fuel temperature sensor.

GI

MA

EM

LC

EC

FE

CL

MT

AT

PD

FA

RA

BR

ST

RS

BT

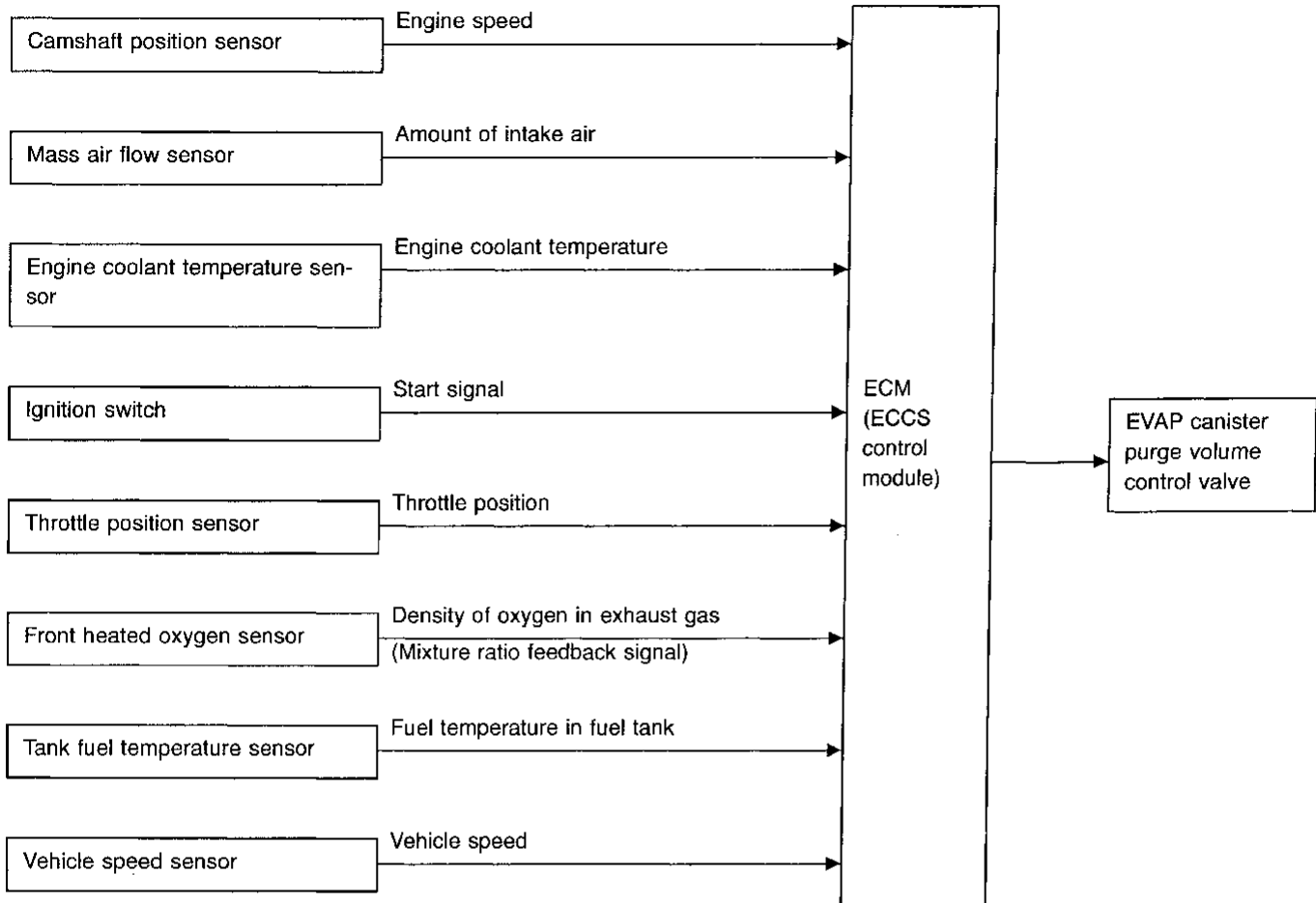
HA

EL

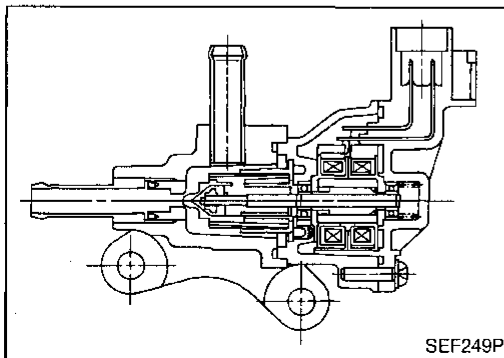
IDX

Evaporative Emission (EVAP) Canister Purge Volume Control Valve

SYSTEM DESCRIPTION



This system controls flow rate of fuel vapor from the EVAP canister. The opening of the vapor by-pass passage in the EVAP canister purge volume control valve changes to control the flow rate. A built-in step motor moves the valve in steps corresponding to the ECM output pulses. The opening of the valve varies for optimum engine control. The optimum value stored in the ECM is determined by considering various engine conditions. When the engine is operating, the flow rate of fuel vapor from the EVAP canister is regulated as the air flow changes.



COMPONENT DESCRIPTION

The EVAP canister purge volume control valve uses a step motor to control the flow rate of fuel vapor from the EVAP canister. This motor has four winding phases. It operates according to the output pulse signal of the ECM. Two windings are turned ON and OFF in sequence. Each time an ON pulse is issued, the valve opens or closes, changing the flow rate. When no change in the flow rate is needed, the ECM does not issue the pulse signal. A certain voltage signal is issued so that the valve remains at that particular opening.

TROUBLE DIAGNOSIS FOR DTC P1444

Evaporative Emission (EVAP) Canister Purge Volume Control Valve (Cont'd)

CONSULT REFERENCE VALUE IN DATA MONITOR MODE

Specification data are reference values.

MONITOR ITEM	CONDITION		SPECIFICATION
PURG VOL C/V	<ul style="list-style-type: none"> ● Engine: After warming up ● Air conditioner switch "OFF" ● Shift lever "N" 	Vehicle stopped	0 step
		Vehicle running (Shift lever "1")	—

ECM TERMINALS AND REFERENCE VALUE

Specification data are reference values and are measured between each terminal and Ⓞ (ECCS ground).

TER-MINAL NO.	WIRE COLOR	ITEM	CONDITION	DATA (DC Voltage)
4	R/B	ECCS relay (Self-shutoff)	Engine is running.	0 - 1V
			Ignition switch "OFF" └ For a few seconds after turning ignition switch "OFF"	
			Ignition switch "OFF" └ A few seconds passed after turning ignition switch "OFF"	BATTERY VOLTAGE (11 - 14V)
5	L	EVAP canister purge volume control valve	Engine is running.	0 - 0.4V
6	Y/L		└ Idle speed	
16	W/B	EVAP canister purge volume control valve	Engine is running.	BATTERY VOLTAGE (11 - 14V)
17	R/G		└ Idle speed	
56	B/W	Power supply for ECM	Ignition switch "ON"	BATTERY VOLTAGE (11 - 14V)
61				

ON BOARD DIAGNOSIS LOGIC

Diagnostic Trouble Code No.	Malfunction is detected when	Check Items (Possible Cause)
P1444 0214	<ul style="list-style-type: none"> ● The canister purge flow is detected during the specified driving conditions, even when EVAP canister purge volume control valve is completely closed. 	<ul style="list-style-type: none"> ● EVAP control system pressure sensor ● EVAP canister purge volume control valve (The valve is stuck open.) ● EVAP canister purge control valve ● Hoses (Hoses are connected incorrectly or clogged.) ● EVAP canister vent control valve

TROUBLE DIAGNOSIS FOR DTC P1444

Evaporative Emission (EVAP) Canister Purge Volume Control Valve (Cont'd)

DIAGNOSTIC TROUBLE CODE CONFIRMATION PROCEDURE

CAUTION:

Always drive vehicle at a safe speed.

NOTE:

If "DIAGNOSTIC TROUBLE CODE CONFIRMATION PROCEDURE" has been previously conducted, always turn ignition switch "OFF" and wait at least 5 seconds before conducting the next test.

TESTING CONDITION:

Always perform test at a temperature of 5°C (41°F) or more.



- 1) Start engine and warm it up to normal operating temperature.
- 2) Turn ignition switch "OFF" and wait at least 5 seconds.
- 3) Turn ignition switch "ON".
- 4) Select "PURG CN/V & S/V P1493" of "EVAPORATIVE SYSTEM" in "DTC WORK SUPPORT" mode with CONSULT.
- 5) Touch "START".
- 6) Start engine and let it idle for at least 90 seconds.
- 7) When the following conditions are met, "TESTING" will be displayed on the CONSULT screen. Maintain the conditions continuously until "TESTING" changes to "COMPLETED". (It will take for at least 30 seconds.)
Selector lever: Suitable position
Vehicle speed: 30 - 100 km/h (19 - 62 MPH)
CMPS-RPM (POS): 1,000 - 3,000 rpm
B/FUEL SCHDL: 1 - 4.5 ms
- 8) Stop vehicle with engine running.
- 9) Select "PURG VOL C/V P1444" of "EVAPORATIVE SYSTEM" in "DTC WORK SUPPORT" mode with CONSULT.
- 10) Touch "START".
 If "COMPLETED" is displayed, go to step 12.
- 11) When the following conditions are met, "TESTING" will be displayed on the CONSULT screen. Maintain the conditions continuously until "TESTING" changes to "COMPLETED". (It will take for at least 20 seconds.)
Selector lever: Suitable position
Vehicle speed: 30 - 100 km/h (19 - 62 MPH)
CMPS-RPM (POS): 1,000 - 3,000 rpm
B/FUEL SCHDL: 1 - 4.5 ms
 If "TESTING" is not displayed after 5 minutes, retry from step 2).
- 12) Make sure that "OK" is displayed after touching "SELF-DIAG RESULTS". If "NG" is displayed, refer to "DIAGNOSTIC PROCEDURE", EC-362.

■ PURG CN/V&S/V P1493 ■

THIS SUPPORT FUNCTION IS FOR DTC P1493. SEE THE SERVICE MANUAL ABOUT THE OPERATING CONDITION FOR THIS DIAGNOSIS.

EXIT
START

SEF610U

■ PURG CN/V&S/V P1493 ■

***** OK *****

■ SELF-DIAG RESULTS ■

**** NO FAILURE ****

END
PRINT

SEF611U

■ PURG VOL CN/V P1444 ■

THIS SUPPORT FUNCTION IS FOR DTC P1444. SEE THE SERVICE MANUAL ABOUT THE OPERATING CONDITION FOR THIS DIAGNOSIS.

EXIT
START

SEF612U

■ PURG VOL CN/V P1444 ■

TESTING

===== MONITOR =====

CMPS-RPM(REF)	1687rpm
THRTL POS SEN	0.74V
B/FUEL SCHDL	2.5msec

SEF853U

■ PURG VOL CN/V P1444 ■

COMPLETED

SELF-DIAG RESULTS

SEF902U

TROUBLE DIAGNOSIS FOR DTC P1444

Evaporative Emission (EVAP) Canister Purge Volume Control Valve (Cont'd)

ENGINE SPD	825RPM
COOLANT TEMP	69°C
VEHICLE SPD	0MPH
IGN ADVANCE	8.0°
CALC LOAD	28.2%
MAP	36KPaA
MAF	5.20gm/s
THROTTLE POS	0.0%
INTAKE AIR	27°C
FUEL SYS #1	OLDRIVE
FUEL SYS #2	UNUSED
SHORT FT #1	0.8%
LONG FT #1	0.0%
O2S B1 S1	0.200V
O2FT B1 S1	0.8%
O2S B1 S2	0.010V

SEF519R

OR



- 1) Lift up vehicle.
- 2) Start engine and warm it up to normal operating temperature.
- 3) Select "MODE 1" with GST.
- 4) Check coolant temperature.

Coolant temperature: 40 - 100°C (104 - 212°F)

Be sure that water temperature does not exceed 100°C. If it becomes higher than 100°C, cool down the engine and perform the procedure again from the beginning.

- 5) Turn ignition switch "OFF" and wait at least 5 seconds.
- 6) Restart engine and let it idle for at least 100 seconds.
- 7) Maintain the following conditions for at least 80 seconds.

Gear position: Suitable gear position

Vehicle speed: 30 - 100 km/h (19 - 62 MPH)

Engine speed: 1,000 - 3,000 rpm

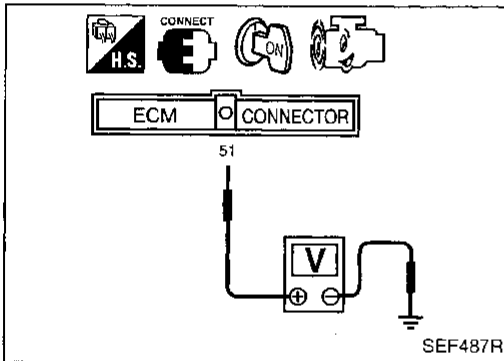
Coolant temperature: 40 - 100°C (104 - 212°F)

- 8) Select "MODE 7" with GST.

NOTE:

- Hold the accelerator pedal as steady as possible during driving in step 7.
- If the driving conditions are not satisfied in step 7, restart the procedure.
- It is better that the fuel level is low.

OR



SEF487R



- 1) Lift up vehicle.
- 2) Start engine and warm it up to normal operating temperature.

- 3) Check voltage between ECM terminal ⑤ and ground
Voltage: 0.8 - 1.5V

Perform the following procedure before the voltage drops below 0.8V. If the voltage drops below 0.8V, cool down the engine and perform the entire procedure all over again.

- 4) Turn ignition switch "OFF" and wait at least 5 seconds.
- 5) Restart engine and let it idle for at least 100 seconds.
- 6) Maintain the following conditions for at least 80 seconds.

Gear position: Suitable gear position

Vehicle speed: 30 - 100 km/h (19 - 62 MPH)

Engine speed: 1,000 - 3,000 rpm

Check voltage between ECM terminal ⑤ and ground: 0.8 - 1.5V

- 7) Turn ignition switch "OFF", wait at least 5 seconds, and then turn "ON".
- 8) Perform "Diagnostic Test Mode II (Self-diagnostic results)" with ECM.

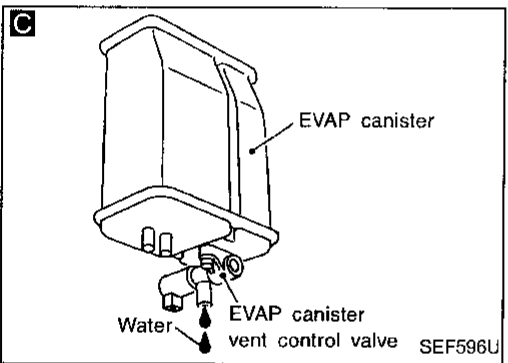
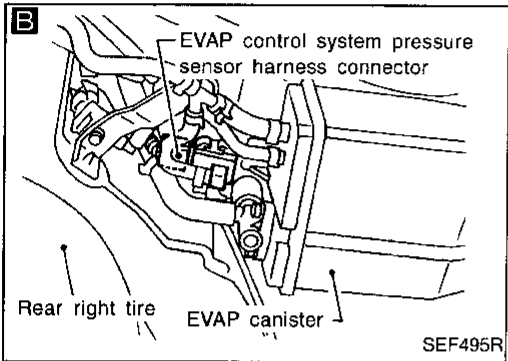
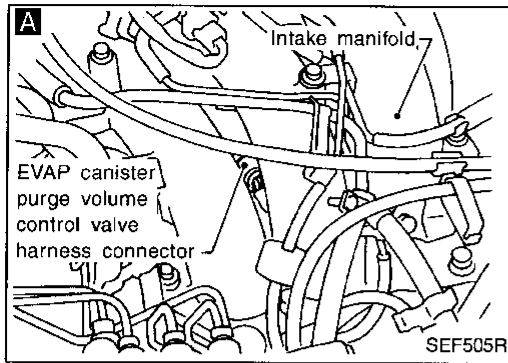
NOTE:

- Hold the accelerator pedal as steady as possible during driving in step 6.
- If the driving conditions are not satisfied in step 6, restart the procedure.
- It is better that the fuel level is low.

TROUBLE DIAGNOSIS FOR DTC P1444

Evaporative Emission (EVAP) Canister Purge Volume Control Valve (Cont'd)

DIAGNOSTIC PROCEDURE



INSPECTION START

A
CHECK COMPONENT
 (EVAP canister purge volume control valve).
 Refer to "COMPONENT INSPECTION" on next page.

NG → Replace EVAP canister purge volume control valve.

OK

B
CHECK COMPONENT
 (EVAP control system pressure sensor).
 1. Check disconnection of hose connected to the sensor.
 2. Check sensor harness connector for water.
Water should not exist.
 If OK, go to step 3.
 3. Check EVAP control system pressure sensor.
 Refer to "COMPONENT INSPECTION", EC-364.

NG → Replace EVAP control system pressure sensor and repair or replace harness and connector.

OK

CHECK COMPONENT
 (EVAP canister vent control valve).
 Refer to "COMPONENT INSPECTION", EC-364.

NG → Replace EVAP canister vent control valve.

OK

CHECK RUBBER TUBE FOR CLOGGING.
 Check obstructed water separator, improper connection of hose and rubber tube to EVAP canister vent control valve and clean the rubber tube using air blower.
 For water separator, refer to "COMPONENT INSPECTION", EC-369.

NG → Clean, repair or replace rubber tube and/or water separator.

OK

C
CHECK IF EVAP CANISTER IS SATURATED WITH WATER.
 1. Remove EVAP canister with EVAP canister vent control valve attached.
 2. Check if water will drain from the EVAP canister. If it will, weigh the EVAP canister with the vent control valve attached.
 If the weight is:
More than 1.8 kg (4.0 lb) → NG
Less than 1.8 kg (4.0 lb) → OK

NG → Check the following.
 1. Visually check the EVAP canister for damage.
 2. Check hose connection between EVAP canister and water separator for clogging and poor connection.
 3. Check water separator.
 Refer to "COMPONENT INSPECTION", EC-369.
 If NG, repair hose or replace EVAP canister or water separator.

OK

Perform "TROUBLE DIAGNOSIS FOR INTERMITTENT INCIDENT", EC-96.

INSPECTION END

TROUBLE DIAGNOSIS FOR DTC P1444

Evaporative Emission (EVAP) Canister Purge Volume Control Valve (Cont'd)

COMPONENT INSPECTION

EVAP canister purge volume control valve

1. Disconnect EVAP canister purge volume control valve harness connector. GI
2. Check resistance between the following terminals. MA
 terminal ② and terminals ①, ③
 terminal ⑤ and terminals ④, ⑥

Resistance:

Approximately 35 - 43Ω [At 25°C (77°F)] EM

3. Reconnect EVAP canister purge volume control valve harness connector. LC
4. Remove EVAP canister purge volume control valve from intake manifold collector and disconnect hoses from the valve. EC
 (Plug the purge hoses. The EVAP canister purge volume control valve harness connector should remain connected.)
5. Turn ignition switch "ON". FE
6. Perform "PURG VOL CONT/V" in "ACTIVE TEST" mode with CONSULT. Check that EVAP canister purge volume control valve shaft moves smoothly forward and backward according to the valve opening. CL
 If NG, replace the EVAP canister purge volume control valve. MT

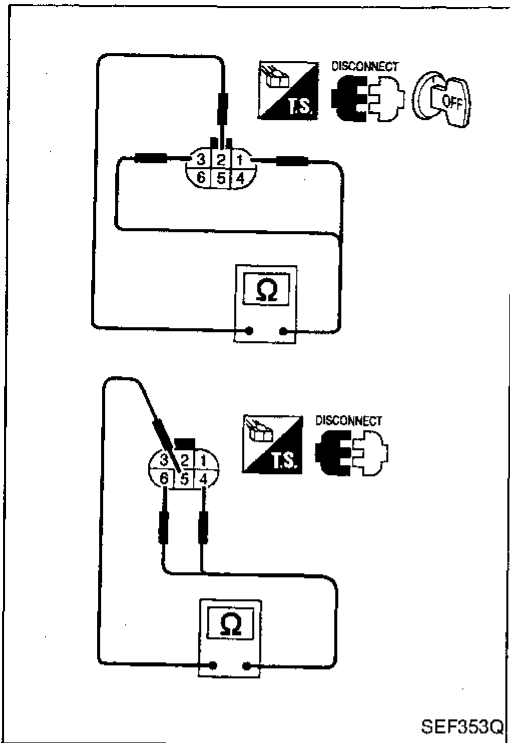
OR

1. Disconnect EVAP canister purge volume control valve harness connector. AT
2. Check resistance between the following terminals. PD
 terminal ② and terminals ①, ③
 terminal ⑤ and terminals ④, ⑥

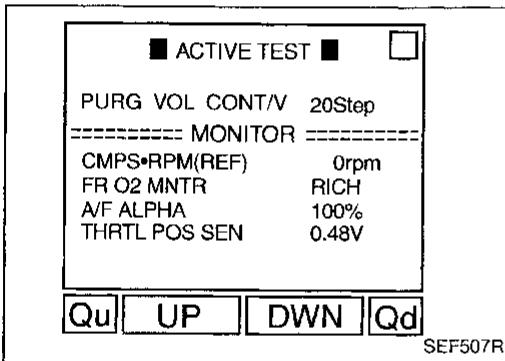
Resistance:

Approximately 35 - 43Ω [At 25°C (77°F)] FA

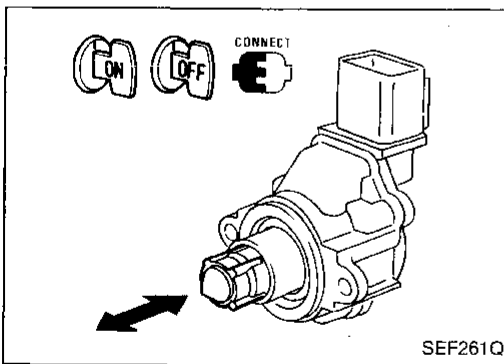
3. Reconnect EVAP canister purge volume control valve harness connector. RA
4. Remove EVAP canister purge volume control valve from intake manifold collector and disconnect hoses from the valve. BR
 (Plug the purge hoses. The EVAP canister purge volume control valve harness connector should remain connected.)
5. Turn ignition switch "ON" and "OFF". Check that EVAP canister purge volume control valve shaft moves smoothly forward and backward according to the ignition switch position. ST
 If NG, replace the EVAP canister purge volume control valve. RS



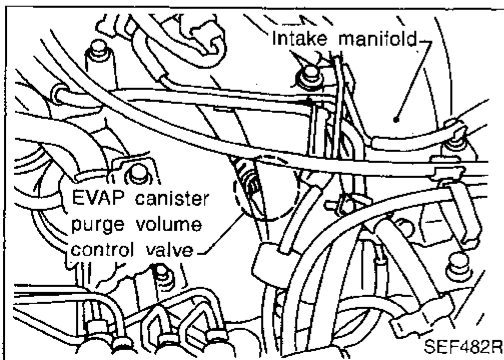
SEF353Q



SEF507R



SEF261Q



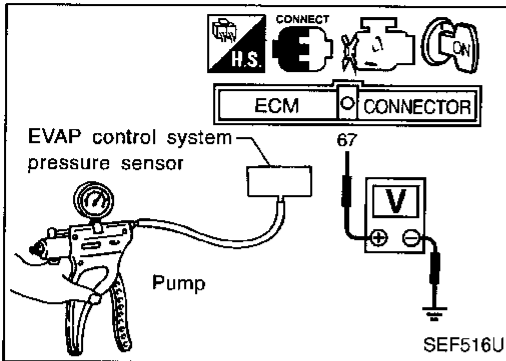
SEF482R

TROUBLE DIAGNOSIS FOR DTC P1444

Evaporative Emission (EVAP) Canister Purge Volume Control Valve (Cont'd)

COMPONENT INSPECTION

EVAP control system pressure sensor

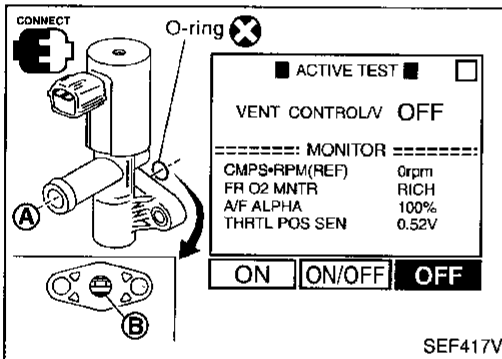


1. Remove EVAP control system pressure sensor with its harness connector connected.
2. Remove hose from EVAP control system pressure sensor.
3. Use pump to apply vacuum and pressure to EVAP control system pressure sensor as shown in figure.
4. Check output voltage between ECM terminal ⑥7 and engine ground.

Pressure (Relative to atmospheric pressure)	Voltage (V)
0 kPa (0 mmHg, 0 inHg)	3.0 - 3.6
-9.3 kPa (-70 mmHg, -2.76 inHg)	0.4 - 0.6

CAUTION:

- Always calibrate the vacuum pump gauge when using it.
 - Do not apply pressure below -20 kPa (-150 mmHg, -5.91 inHg) or over 20 kPa (150 mmHg, 5.91 inHg).
5. If NG, replace EVAP control system pressure sensor.



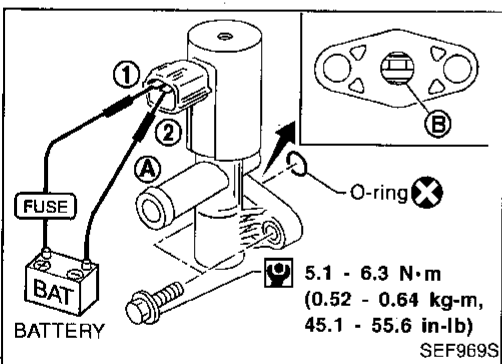
EVAP canister vent control valve

Check air passage continuity.

- Perform "VENT CONTROL/V" in "ACTIVE TEST" mode with CONSULT.

Condition	Air passage continuity between ① and ②
VENT CONTROL/V ON	No
VENT CONTROL/V OFF	Yes

OR



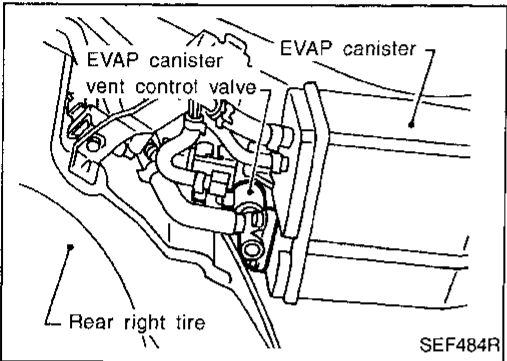
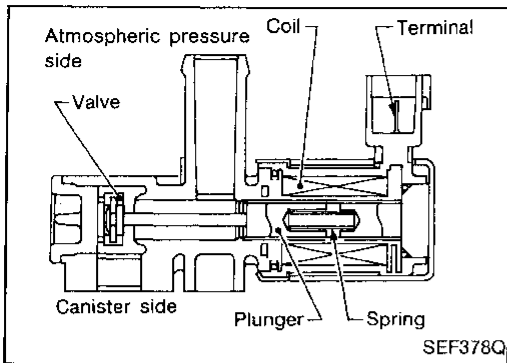
Condition	Air passage continuity between ① and ②
12V direct current supply between terminals ① and ②	No
No supply	Yes

If NG, clean valve using air blower or replace as necessary.

If the portion ② is rusted, replace EVAP canister vent control valve.

Make sure new O-ring is installed properly.

TROUBLE DIAGNOSIS FOR DTC P1446



Evaporative Emission (EVAP) Canister Vent Control Valve (Close)

COMPONENT DESCRIPTION

The EVAP canister vent control valve is located on the EVAP canister and is used to seal the canister vent.

This solenoid (the EVAP canister vent control valve) responds to signals from the ECM.

When the ECM sends an ON signal, the coil in the solenoid valve is energized.

A plunger will then move to seal the canister vent. The ability to seal the vent is necessary for the on board diagnosis of other evaporative emission control system components.

This solenoid valve is used only for diagnosis, and usually remains opened.

When the vent is closed, under normal purge conditions, the evaporative emission control system is depressurized and allows "EVAP Control System (Small Leak)" diagnosis.

CONSULT REFERENCE VALUE IN DATA MONITOR MODE

Specification data are reference values.

MONITOR ITEM	CONDITION	SPECIFICATION
VENT CONT/V	• Ignition switch: ON	OFF

ECM TERMINALS AND REFERENCE VALUE

Specification data are reference values and are measured between each terminal and Ⓞ (ECCS ground).

TERMINAL NO.	WIRE COLOR	ITEM	CONDITION	DATA (DC Voltage)
108	Y/G	EVAP canister vent control valve	Ignition switch "ON"	BATTERY VOLTAGE (11 - 14V)

ON BOARD DIAGNOSIS LOGIC

Diagnostic Trouble Code No.	Malfunction is detected when	Check Items (Possible Cause)
P1446 0215	<ul style="list-style-type: none"> • EVAP canister vent control valve remains closed under specified driving conditions. 	<ul style="list-style-type: none"> • EVAP canister vent control valve • EVAP control system pressure sensor and the circuit • Blocked rubber tube to EVAP canister vent control valve • Water separator • EVAP canister is saturated with water.

TROUBLE DIAGNOSIS FOR DTC P1446

★ MONITOR	★ NO FAIL	<input type="checkbox"/>
CMPS•RPM(REF)	1500rpm	
COOLAN TEMP/S	85°C	
VHCL SPEED SEN	0km/h	
THRTL POS SEN	1.68V	
B/FUEL SCHDL	1.0msec	

SEF336U

Evaporative Emission (EVAP) Canister Vent Control Valve (Close) (Cont'd)

DIAGNOSTIC TROUBLE CODE CONFIRMATION PROCEDURE

CAUTION:

Always drive vehicle at a safe speed.

NOTE:

If "DIAGNOSTIC TROUBLE CODE CONFIRMATION PROCEDURE" has been previously conducted, always turn ignition switch "OFF" and wait at least 5 seconds before conducting the next test.



- 1) Turn ignition switch "ON".
- 2) Select "DATA MONITOR" mode with CONSULT.
- 3) Start engine.
- 4) Drive vehicle at a speed of approximately 80 km/h (50 MPH) for a maximum of 15 minutes.

NOTE:

If a malfunction exists, NG result may reveal soon.

OR



- 1) Start engine.
- 2) Drive vehicle at a speed of approximately 80 km/h (50 MPH) for 15 minutes.
- 3) Select "MODE 7" with GST.

OR

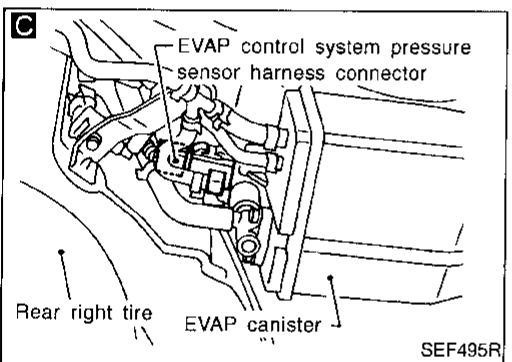
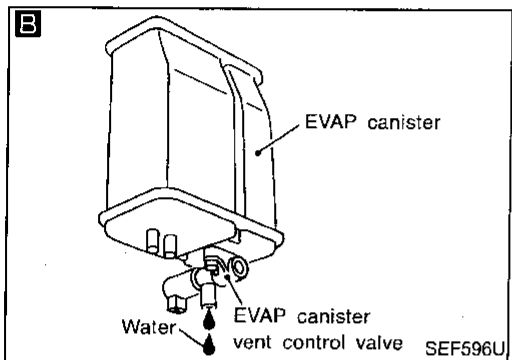
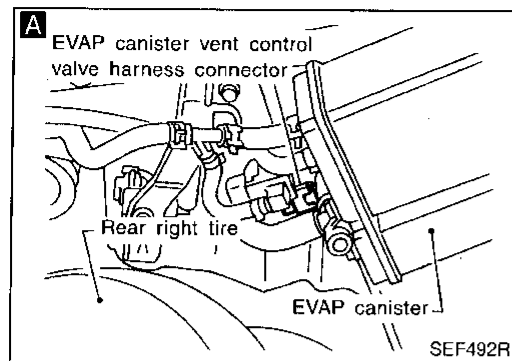


- 1) Start engine.
- 2) Drive vehicle at a speed of approximately 80 km/h (50 MPH) for 15 minutes.
- 3) Turn ignition switch "OFF" and wait at least 5 seconds.
- 4) Turn ignition switch "ON" and perform "DIAGNOSTIC TEST MODE (Self-diagnostic results)" with ECM.

TROUBLE DIAGNOSIS FOR DTC P1446

Evaporative Emission (EVAP) Canister Vent Control Valve (Close) (Cont'd)

DIAGNOSTIC PROCEDURE



INSPECTION START

CHECK RUBBER TUBE FOR CLOGGING.
Check obstructed water separator and rubber tube to EVAP canister vent control valve and clean the rubber tube using air blower.
For water separator, refer to EC-369.

NG → Clean, repair or replace rubber tube and/or water separator.

CHECK COMPONENT (EVAP canister vent control valve and O-ring).
Refer to "COMPONENT INSPECTION" on next page.

NG → Replace EVAP canister vent control valve and O-ring.

CHECK IF EVAP CANISTER IS SATURATED WITH WATER.
1. Remove EVAP canister with EVAP canister vent control valve attached.
2. Check if water will drain from the EVAP canister.
If it will, weigh the EVAP canister with the vent control valve attached.
If the weight is:
More than 1.8 kg (4.0 lb) → NG
Less than 1.8 kg (4.0 lb) → OK

NG → Check the following.
1. Visually check the EVAP canister for damage.
2. Check hose connection between EVAP canister and water separator for clogging and poor connection.
3. Check water separator. Refer to "COMPONENT INSPECTION", EC-369.
If NG, repair hose or replace EVAP canister or water separator.

CHECK COMPONENT AND CIRCUIT (EVAP control system pressure sensor).
1. Check for disconnection of hose connected to the sensor.
2. Check sensor harness connector for water.
Water should not exist.
If OK, go to step 3.
3. Check EVAP control system pressure sensor.
Refer to "DIAGNOSTIC PROCEDURE", EC-285.

NG → Replace EVAP control system pressure sensor and repair or replace harness and connector.

Perform "TROUBLE DIAGNOSIS FOR INTERMITTENT INCIDENT", EC-96.

INSPECTION END

GI
MA
EM
LC
EC
FE
CL
MT
AT
PD
FA
RA
BR
ST
RS
BT
HA
EL
IDX

TROUBLE DIAGNOSIS FOR DTC P1446

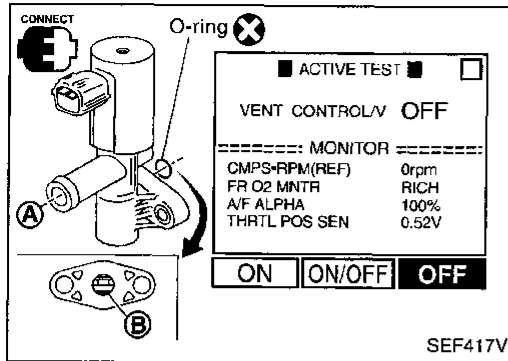
Evaporative Emission (EVAP) Canister Vent Control Valve (Close) (Cont'd)

COMPONENT INSPECTION

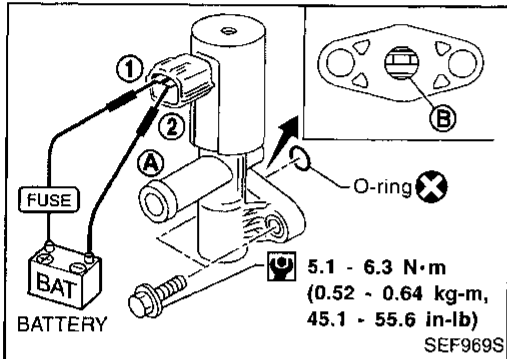
EVAP canister vent control valve

Check air passage continuity.

① Perform "VENT CONTROL/V" in "ACTIVE TEST" mode.



SEF417V



SEF969S

Condition VENT CONTROL/V	Air passage continuity between ① and ②
ON	No
OFF	Yes

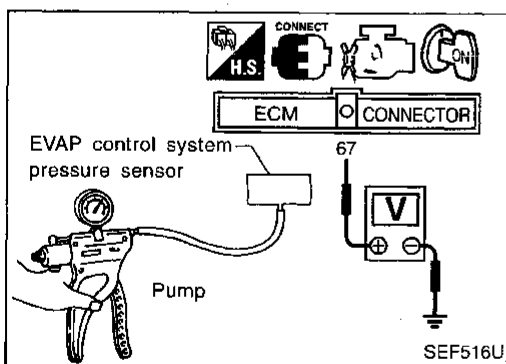
OR

Condition	Air passage continuity between ① and ②
12V direct current supply between terminals ① and ②	No
No supply	Yes

If NG, clean valve using air blower or replace as necessary.

If the portion ② is rusted, replace EVAP canister vent control valve.

Make sure new O-ring is installed properly.



SEF516U

EVAP control system pressure sensor

1. Remove EVAP control system pressure sensor with its harness connector connected.
2. Remove hose from EVAP control system pressure sensor.
3. Use pump to apply vacuum and pressure to EVAP control system pressure sensor as shown in figure.
4. Check output voltage between ECM terminal ⑥7 and engine ground.

Pressure (Relative to atmospheric pressure)	Voltage (V)
0 kPa (0 mmHg, 0 inHg)	3.0 - 3.6
-9.3 kPa (-70 mmHg, -2.76 inHg)	0.4 - 0.6

CAUTION:

- Always calibrate the vacuum pump gauge when using it.
 - Do not apply pressure below -20.0 kPa (-150 mmHg, -5.91 inHg) or over 20.0 kPa (150 mmHg, 5.91 inHg).
5. If NG, replace EVAP control system pressure sensor.

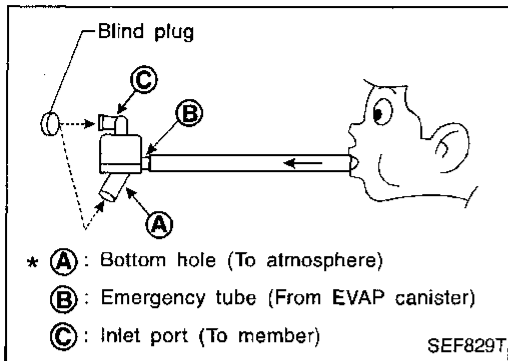
TROUBLE DIAGNOSIS FOR DTC P1446

Evaporative Emission (EVAP) Canister Vent Control Valve (Close) (Cont'd)

Water separator

1. Check visually for insect nests in the water separator air inlet.
2. Check visually for cracks or flaws in the appearance.
3. Check visually for cracks or flaws in the hose.
4. Check that (A) and (C) are not clogged by blowing air into (B) with (A), and then (C) plugged.
5. In case of NG in items 2 - 4, replace the parts.

- **Do not disassemble water separator.**



GI

MA

EM

LC

EC

FE

CL

MT

AT

PD

FA

RA

BR

ST

RS

BT

HA

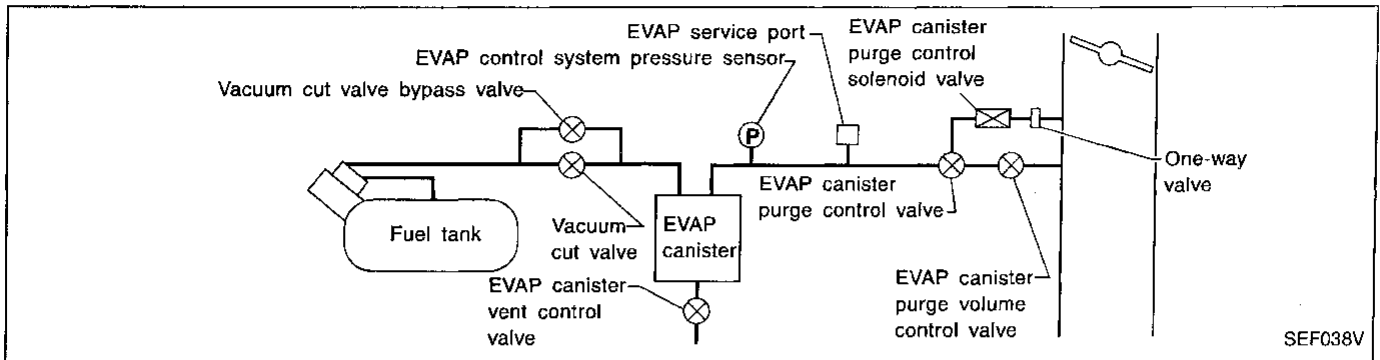
EL

IDX

TROUBLE DIAGNOSIS FOR DTC P1447

Evaporative Emission (EVAP) Control System Purge Flow Monitoring

Note: If both DTC P0510 and P1447 are displayed, perform TROUBLE DIAGNOSIS FOR DTC P0510 first. (See EC-298.)



SYSTEM DESCRIPTION

In this evaporative emission (EVAP) control system, purge flow occurs during non-closed throttle conditions. Purge volume is related to air intake volume. Under normal purge conditions (non-closed throttle), the EVAP canister purge volume control valve and EVAP canister purge control valve is open. Purge flow exposes the EVAP control system pressure sensor to intake manifold vacuum.

ON BOARD DIAGNOSIS LOGIC

Under normal conditions (non-closed throttle), sensor output voltage indicates if pressure drop and purge flow are adequate. If not, a fault is determined.

Diagnostic Trouble Code No.	Malfunction is detected when	Check Items (Possible Cause)
P1447 0111	<ul style="list-style-type: none"> ● EVAP control system does not operate properly. ● EVAP control system has a leak between intake manifold and EVAP control system pressure sensor. 	<ul style="list-style-type: none"> ● EVAP canister purge volume control valve stuck closed ● EVAP canister purge control valve stuck closed ● EVAP control system pressure sensor and the circuit ● Loose, disconnected or improper connection of rubber tube ● Blocked rubber tube ● Blocked or bent rubber tube to MAP/BARO switch solenoid valve ● Cracked EVAP canister ● Closed throttle position switch ● Improper connection of one-way valve ● Blocked purge port ● EVAP canister vent control valve

TROUBLE DIAGNOSIS FOR DTC P1447

Evaporative Emission (EVAP) Control System Purge Flow Monitoring (Cont'd)

DIAGNOSTIC TROUBLE CODE CONFIRMATION PROCEDURE

CAUTION:

Always drive vehicle at a safe speed.

NOTE:

If "DIAGNOSTIC TROUBLE CODE CONFIRMATION PROCEDURE" has been previously conducted, always turn ignition switch "OFF" and wait at least 5 seconds before conducting the next test.

TESTING CONDITION:

Always perform test at a temperature of 5°C (41°F) or more.



- 1) Start engine and warm it up to normal operating temperature.
- 2) Turn ignition switch "OFF" and wait at least 5 seconds.
- 3) Start engine and let it idle for at least 1 minute.
- 4) Select "PURG CN/V & S/V P1493" of "EVAPORATIVE SYSTEM" in "DTC WORK SUPPORT" mode with CONSULT.
- 5) Touch "START".
- 6) When the following conditions are met, "TESTING" will be displayed on the CONSULT screen. Maintain the conditions continuously until "TESTING" changes to "COMPLETED". (It will take at least 30 seconds.)

CMPS-RPM (REF): 1,000 - 3,000 rpm
Vehicle speed: 30 - 100 km/h (19 - 62 MPH)

B/FUEL SCHDL: 1 - 4.5 ms

Selector lever: Suitable position

If "TESTING" is not displayed after 5 minutes, retry from step 2).

- 7) Make sure that "OK" is displayed after touching "SELF-DIAG RESULTS" and go to the following step. If "NG" is displayed, refer to "DIAGNOSTIC PROCEDURE" of "TROUBLE DIAGNOSIS FOR DTC P1493", EC-402.

- 8) Select "PURG VOL C/V P1444" of "EVAPORATIVE SYSTEM" in "DTC WORK SUPPORT" mode with CONSULT.

- 9) Touch "START".

If "COMPLETED" is displayed, go to 11).

- 10) When the following conditions are met, "TESTING" will be displayed on the CONSULT screen. Maintain the conditions continuously until "TESTING" changes to "COMPLETED". (It will take at least 20 seconds.)

CMPS-RPM (REF): 1,000 - 3,000 rpm
Vehicle speed: 30 - 100 km/h (19 - 62 MPH)

B/FUEL SCHDL: 1 - 4.5 ms

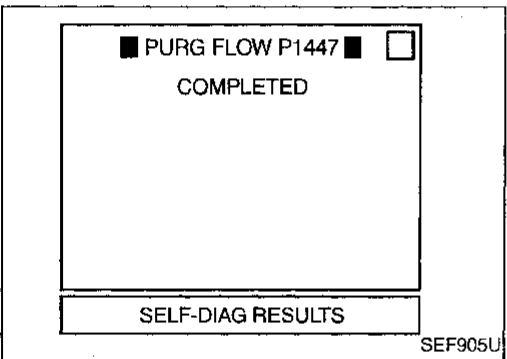
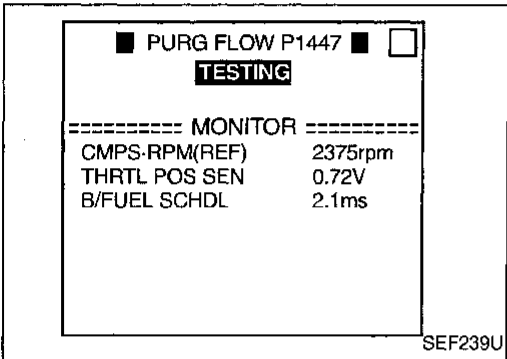
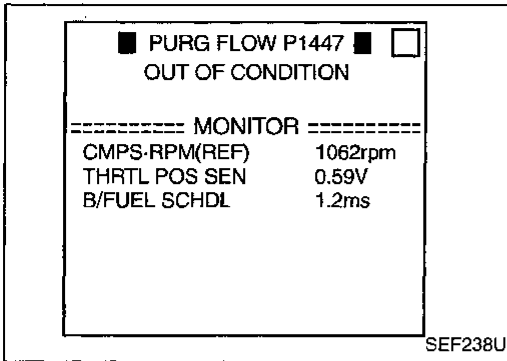
Selector lever: Suitable position

If "TESTING" is not displayed after 5 minutes, retry from step 2).

- 11) Make sure that "OK" is displayed after touching "SELF-DIAG RESULTS" and go to the following step. If "NG" is displayed, refer to "DIAGNOSTIC PROCEDURE" of "TROUBLE DIAGNOSIS FOR DTC P1444", EC-362.

- 12) Select "PURG FLOW P1447" of "EVAPORATIVE SYSTEM" in "DTC CONFIRMATION" mode with CONSULT.

- 13) Touch "START".



GI

MA

EM

LC

EC

FE

CL

MT

AT

PD

FA

RA

BR

ST

RS

BT

HA

EL

IDX

TROUBLE DIAGNOSIS FOR DTC P1447

Evaporative Emission (EVAP) Control System Purge Flow Monitoring (Cont'd)

- 14) When the following conditions are met, "TESTING" will be displayed on the CONSULT screen. Maintain the conditions continuously until "TESTING" changes to "COMPLETED". (It will take at least 35 seconds.)

CMPS-RPM (REF): 1,000 - 3,000 rpm

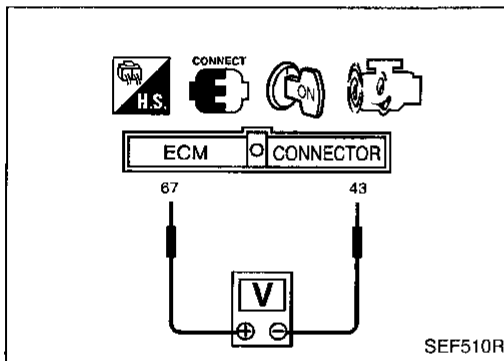
Vehicle speed: 30 - 100 km/h (19 - 62 MPH)

Selector lever: Suitable position

Engine coolant temperature: 70 - 100°C (158 - 212°F)

If "TESTING" is not displayed after 5 minutes, retry from step 2).

- 15) Make sure that "OK" is displayed after touching "SELF-DIAG RESULTS". If "NG" is displayed, refer to "DIAGNOSTIC PROCEDURE" on the next page.



OR OVERALL FUNCTION CHECK

Use this procedure to check the overall monitoring function of the EVAP control system purge flow. During this check, a 1st trip DTC might not be confirmed.



- 1) Lift up drive wheels.
- 2) Start engine and warm it up to normal operating temperature.
- 3) Turn ignition switch "OFF", wait at least 5 seconds.
- 4) Start engine and wait at least 70 seconds.
- 5) Set voltmeter probes to ECM terminals ⑥7 (EVAP control system pressure sensor signal) and ④3 (ground).
- 6) Check EVAP control system pressure sensor value at idle speed.
- 7) Establish and maintain the following conditions for at least 1 minute.

Air conditioner switch: ON

Steering wheel: Fully turned

Headlamp switch: ON

Rear window defogger switch: ON

Engine speed: Approx. 3,000 rpm

Gear position:

M/T models

Any position other than "Neutral" or "Reverse"

A/T models

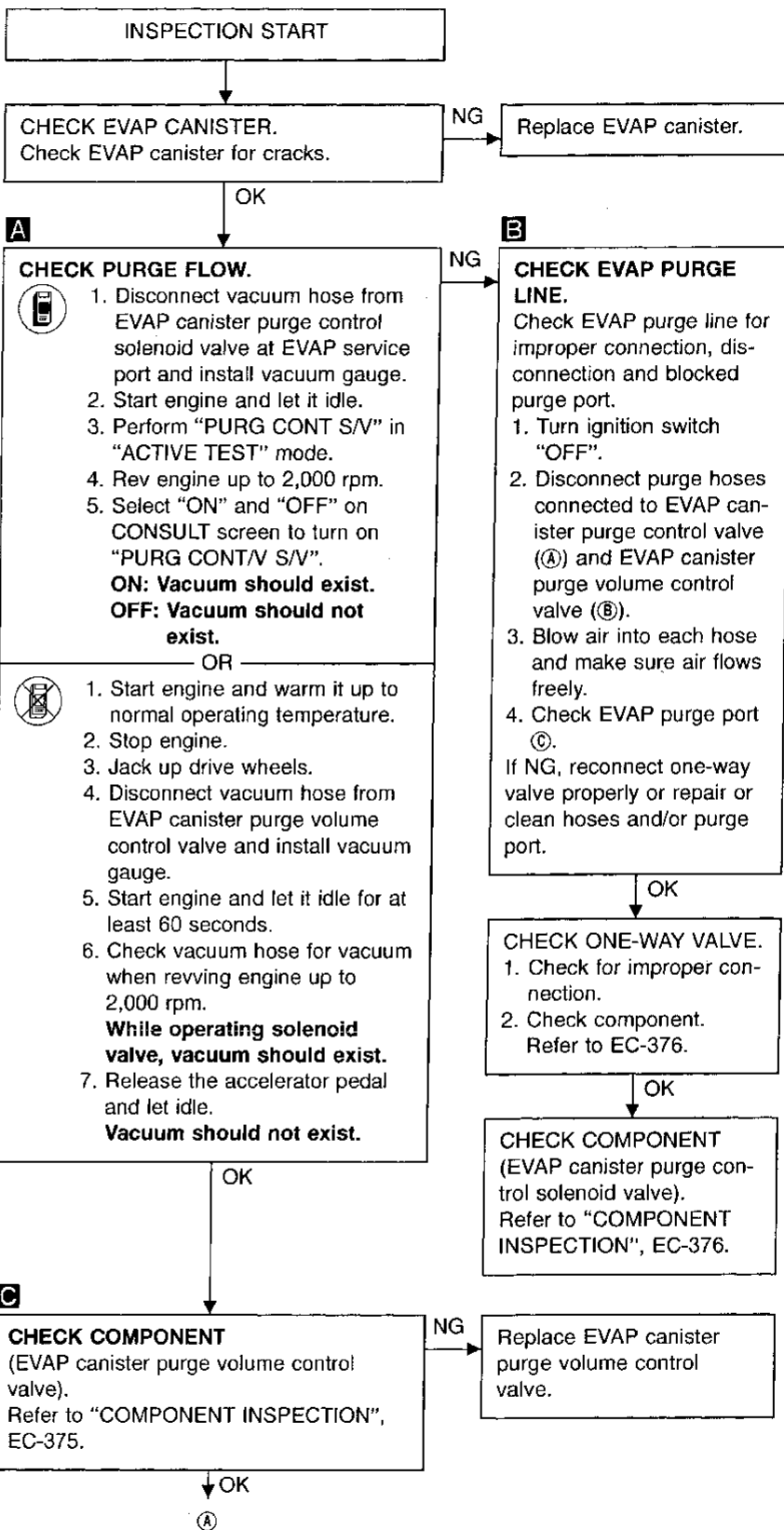
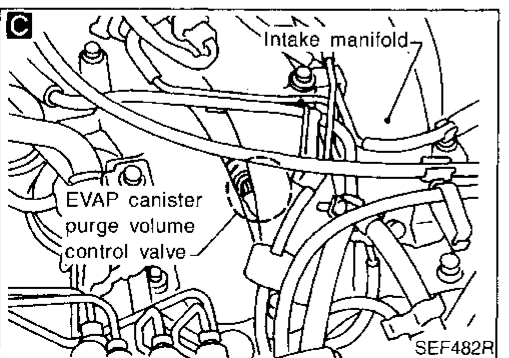
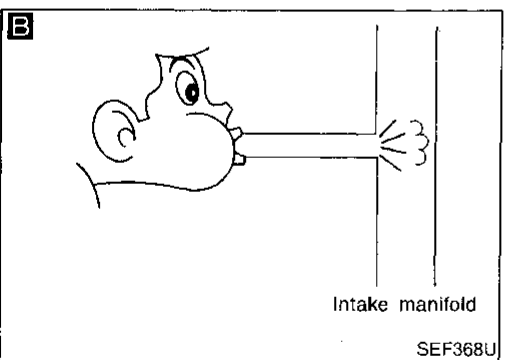
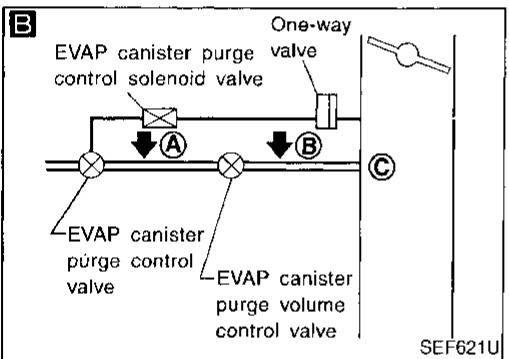
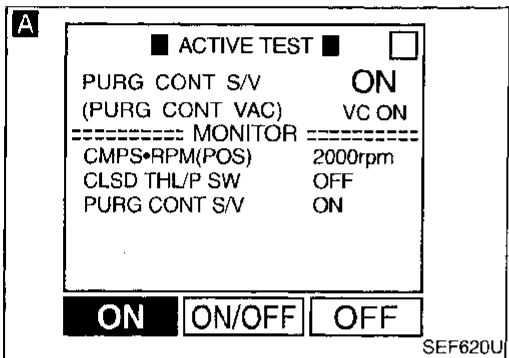
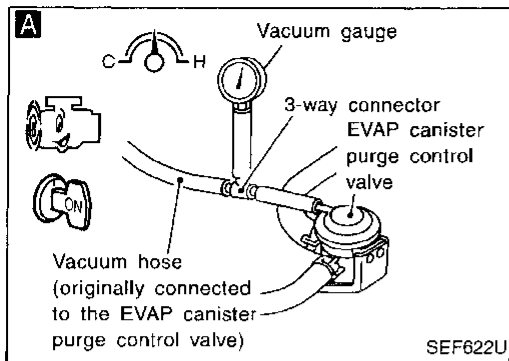
Any position other than "P", "N" or "R"

Verify that EVAP control system pressure sensor value stays 0.1V less than the value at idle speed for at least 1 second.

TROUBLE DIAGNOSIS FOR DTC P1447

Evaporative Emission (EVAP) Control System Purge Flow Monitoring (Cont'd)

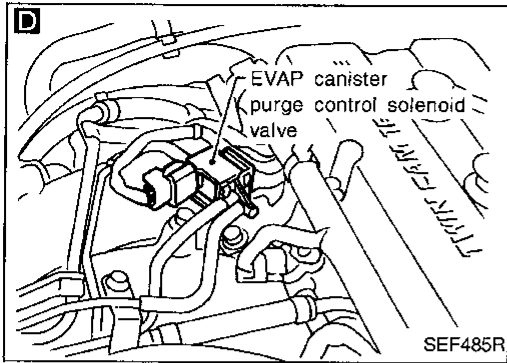
DIAGNOSTIC PROCEDURE



GI
MA
EM
LC
EC
FE
CL
MT
AT
PD
FA
RA
BR
ST
RS
BT
HA
EL
IDX

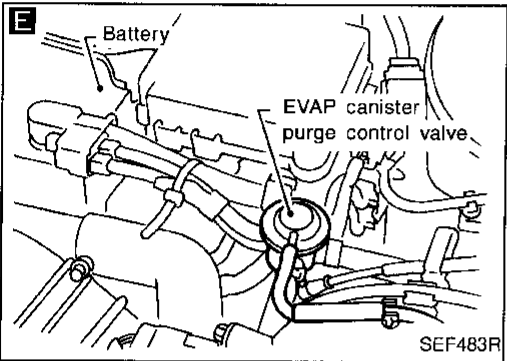
TROUBLE DIAGNOSIS FOR DTC P1447

Evaporative Emission (EVAP) Control System Purge Flow Monitoring (Cont'd)



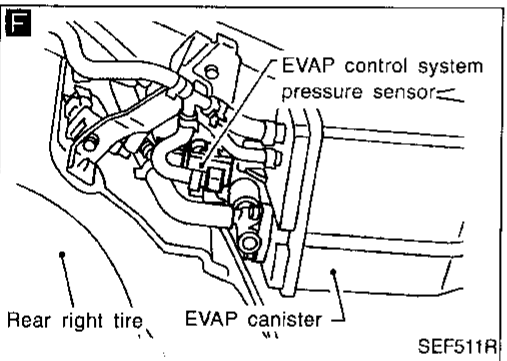
D
CHECK COMPONENT
(EVAP canister purge control solenoid valve).
Refer to "COMPONENT INSPECTION", EC-376.

NG → Replace EVAP canister purge control solenoid valve.



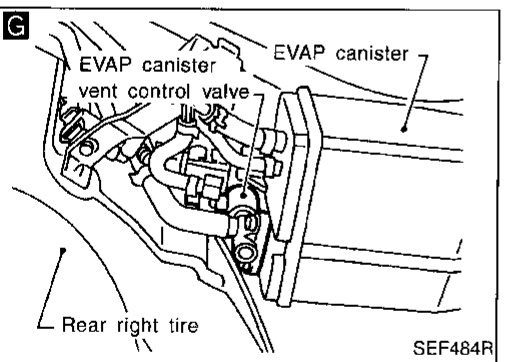
E
CHECK COMPONENT
(EVAP canister purge control valve).
Refer to "COMPONENT INSPECTION", EC-376.

NG → Replace EVAP canister purge control valve.



F
CHECK COMPONENT AND CIRCUIT
(EVAP control system pressure sensor).
1. Check disconnection of hose connected to the sensor.
2. Check sensor harness connector for water.
Water should not exist.
If OK, go to step 3.
3. Check EVAP control system pressure sensor.
Refer to "P0450 EVAP control system pressure sensor", EC-282.

NG → Replace EVAP control system pressure sensor and repair or replace harness and connector.



G
CHECK COMPONENT
(EVAP canister vent control valve and O-ring).
Refer to "COMPONENT INSPECTION", EC-382.

NG → Replace EVAP canister vent control valve and O-ring.

CHECK EVAP PURGE LINE.
Inspect EVAP purge line (pipe and rubber tube). Check for evidence of leaks.

NG → Replace it.

Clean EVAP purge line (pipe and rubber tube) using air blower.

Perform "TROUBLE DIAGNOSIS FOR INTERMITTENT INCIDENT", EC-96.

INSPECTION END

TROUBLE DIAGNOSIS FOR DTC P1447

Evaporative Emission (EVAP) Control System Purge Flow Monitoring (Cont'd)

COMPONENT INSPECTION

EVAP canister purge volume control valve

- 1) Disconnect EVAP canister purge volume control valve harness connector.
- 2) Check resistance between the following terminals.
(Refer to EC-0.)
terminal ② and terminals ①, ③
terminal ⑤ and terminals ④, ⑥

Resistance:

Approximately 39 - 43Ω [At 25°C (77°F)]

- 3) Reconnect EVAP canister purge volume control valve harness connector.
- 4) Remove EVAP canister purge volume control valve from intake manifold collector and disconnect hoses from the valve.
(Plug the purge hoses. The EVAP canister purge volume control valve harness connector should remain connected.)
- 5) Turn ignition switch "ON".
- 6) Perform "PURG VOL CONT/V" in "ACTIVE TEST" mode with CONSULT. Check that EVAP canister purge volume control valve shaft moves smoothly forward and backward according to the valve opening.
If NG, replace the EVAP canister purge volume control valve.

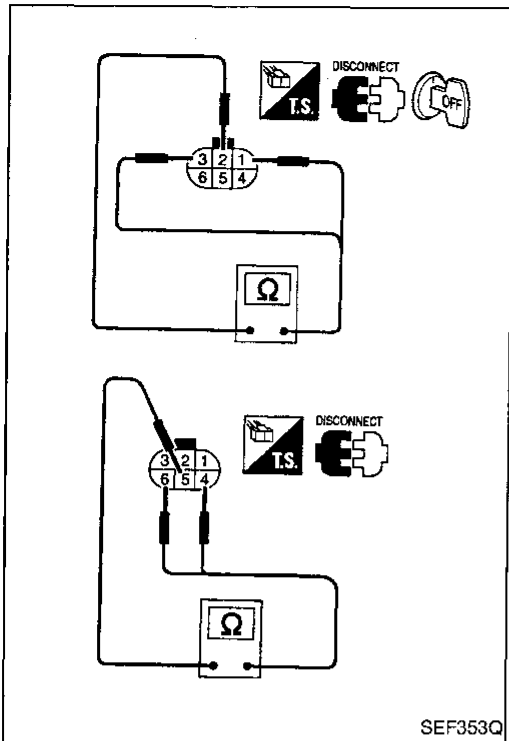
OR

- 1) Disconnect EVAP canister purge volume control valve harness connector.
- 2) Check resistance between the following terminals.
terminal ② and terminals ①, ③
terminal ⑤ and terminals ④, ⑥

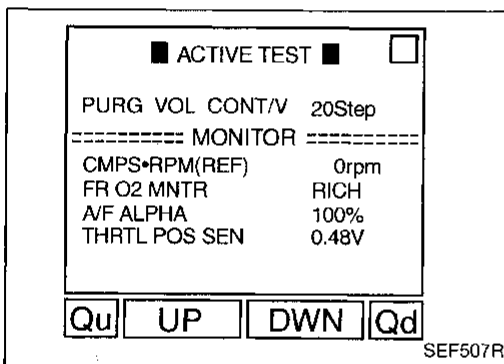
Resistance:

Approximately 39 - 43Ω [At 25°C (77°F)]

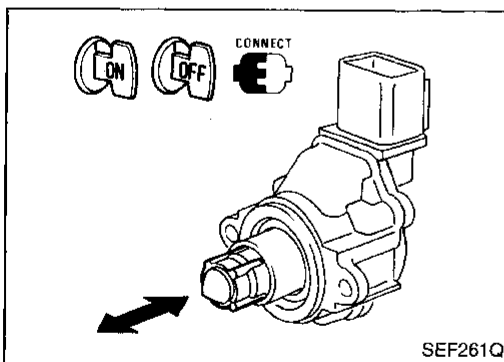
- 3) Reconnect EVAP canister purge volume control valve harness connector.
- 4) Remove EVAP canister purge volume control valve from intake manifold collector and disconnect hoses from the valve.
(Plug the purge hoses. The EVAP canister purge volume control valve harness connector should remain connected.)
- 5) Turn ignition switch "ON" and "OFF". Check that EVAP canister purge volume control valve shaft moves smoothly forward and backward according to the ignition switch position.
If NG, replace the EVAP canister purge volume control valve.



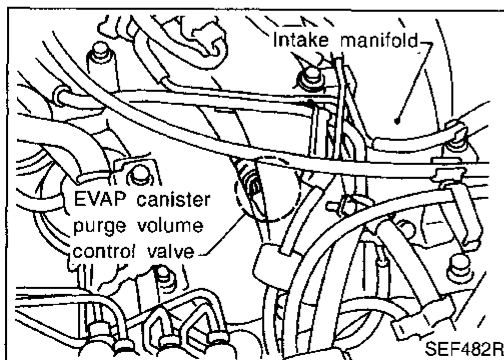
SEF353Q



SEF507R



SEF261Q



SEF482R

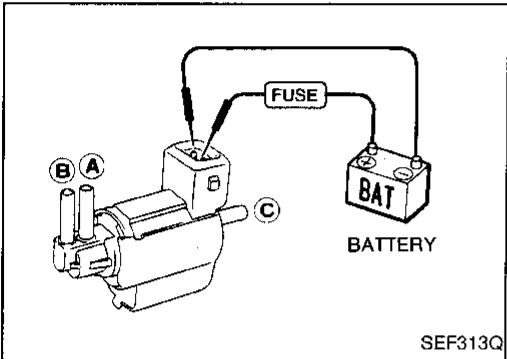
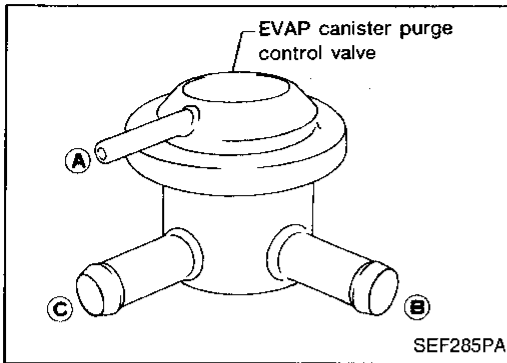
TROUBLE DIAGNOSIS FOR DTC P1447

Evaporative Emission (EVAP) Control System Purge Flow Monitoring (Cont'd)

EVAP canister purge control valve

Check EVAP canister purge control valve as follows:

1. Blow air in port (A), (B) and (C), then ensure that there is no leakage.
2. Apply vacuum to port (A). [Approximately -13.3 to -20.0 kPa (-100 to -150 mmHg, -3.94 to -5.91 inHg)]
Blow air in port (C) and ensure free flow out of port (B).

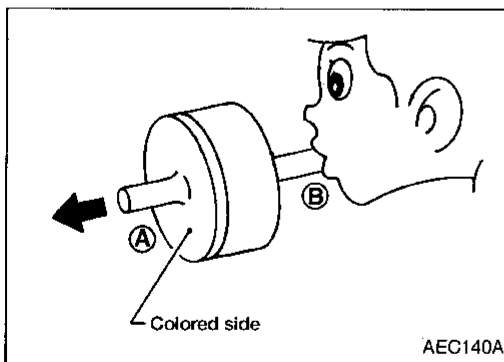


EVAP canister purge control solenoid valve

Check air passage continuity.

Condition	Air passage continuity between (A) and (B)	Air passage continuity between (A) and (C)
12V direct current supply between terminals	Yes	No
No supply	No	Yes

If NG, replace solenoid valve.



One-way valve

Check one-way valve air passage continuity.

Condition	Air passage continuity
Blow air into side B to A	Yes
Blow air into side A to B	No

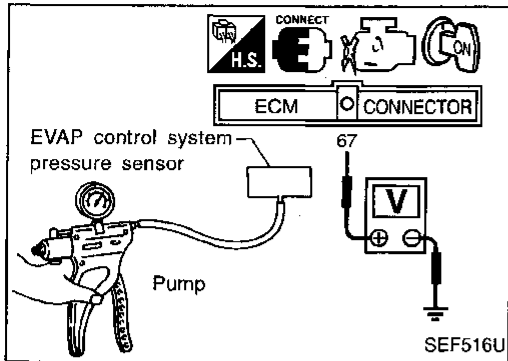
If NG, replace one-way valve.

Make sure to install one-way valve with the colored side facing the vacuum.

TROUBLE DIAGNOSIS FOR DTC P1447

Evaporative Emission (EVAP) Control System Purge Flow Monitoring (Cont'd)

EVAP control system pressure sensor



1. Remove EVAP control system pressure sensor with its harness connector connected.
2. Remove hose from EVAP control system pressure sensor. GI
3. Use pump to apply vacuum and pressure to EVAP control system pressure sensor as shown in figure. MA
4. Check output voltage between ECM terminal ⑥7 and engine ground. MA

Pressure (Relative to atmospheric pressure)	Voltage (V)	EM
0 kPa (0 mmHg, 0 inHg)	3.0 - 3.6	
-9.3 kPa (-70 mmHg, -2.76 inHg)	0.4 - 0.6	LC

CAUTION:

- Always calibrate the vacuum pump gauge when using it. EC
 - Do not apply pressure below -20.0 kPa (-150 mmHg, -5.91 inHg) or over 20.0 kPa (150 mmHg, 5.91 inHg).
5. If NG, replace EVAP control system pressure sensor. FE

CL

MT

AT

PD

FA

RA

BR

ST

RS

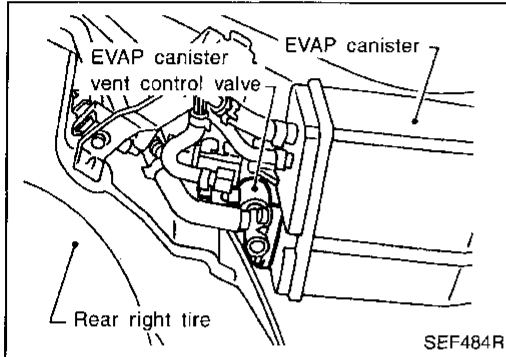
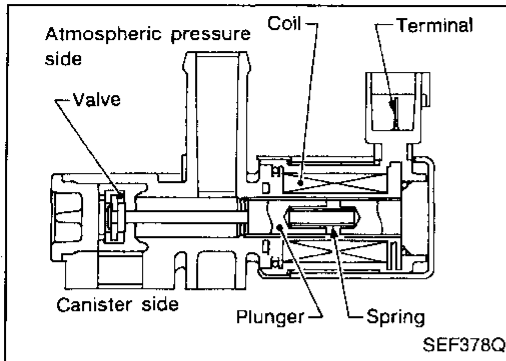
BT

HA

EL

IDX

TROUBLE DIAGNOSIS FOR DTC P1448



Evaporative Emission (EVAP) Canister Vent Control Valve (Open)

COMPONENT DESCRIPTION

NOTE:

If both DTC P0440, P1440 and P1448 are displayed, perform **TROUBLE DIAGNOSIS FOR DTC P0446** first.

The EVAP canister vent control valve is located on the EVAP canister and is used to seal the canister vent.

This solenoid (the EVAP canister vent control valve) responds to signals from the ECM.

When the ECM sends an ON signal, the coil in the solenoid valve is energized.

A plunger will then move to seal the canister vent. The ability to seal the vent is necessary for the on board diagnosis of other evaporative emission control system components.

This solenoid valve is used only for diagnosis, and usually remains opened.

When the vent is closed, under normal purge conditions, the evaporative emission control system is depressurized and allows "EVAP Control System (Small Leak)" diagnosis.

CONSULT REFERENCE VALUE IN DATA MONITOR MODE

Specification data are reference values.

MONITOR ITEM	CONDITION	SPECIFICATION
VENT CONT/V	● Ignition switch: ON	OFF

ECM TERMINALS AND REFERENCE VALUE

Specification data are reference values and are measured between each terminal and (43) (ECCS ground).

TER-MINAL NO.	WIRE COLOR	ITEM	CONDITION	DATA (DC Voltage)
108	Y/G	EVAP canister vent control valve	Ignition switch "ON"	BATTERY VOLTAGE (11 - 14V)

ON BOARD DIAGNOSIS LOGIC

Diagnostic Trouble Code No.	Malfunction is detected when	Check Items (Possible Cause)
P1448 0309	<ul style="list-style-type: none"> ● EVAP canister vent control valve remains opened under specified driving conditions. 	<ul style="list-style-type: none"> ● EVAP canister vent control valve ● EVAP control system pressure sensor ● Blocked rubber tube to EVAP canister vent control valve ● Water separator ● EVAP canister is saturated with water. ● Vacuum cut valve

TROUBLE DIAGNOSIS FOR DTC P1448

Evaporative Emission (EVAP) Canister Vent Control Valve (Open) (Cont'd)

DIAGNOSTIC TROUBLE CODE CONFIRMATION PROCEDURE

NOTE:

- If both DTC P0440 or P1440 and P1448 are displayed, perform TROUBLE DIAGNOSIS FOR DTC P1448 first.
- If "DIAGNOSTIC TROUBLE CODE CONFIRMATION PROCEDURE" has been previously conducted, always turn ignition switch "OFF" and wait at least 5 seconds before conducting the next test.
- Make sure that EVAP hoses are connected to EVAP canister purge volume control solenoid valve properly.

TESTING CONDITION:

- Perform "DTC WORK SUPPORT" when the fuel level is less than 3/4 full. If not, inspect fuel filler cap and fuel tank separately. Refer to EC-263.
- Always perform test at a temperature of 5 to 30°C (41 to 86°F).
- It is better that the fuel level is low.

- 1) Turn ignition switch "ON".
- 2) Select "EVAP SML LEAK P0440" of "EVAPORATIVE SYSTEM" in "DTC WORK SUPPORT" mode with CONSULT.

Follow the instruction displayed.

- 3) Make sure that "OK" is displayed. If "NG" is displayed, go to following step.

If the CONSULT screen shown at left is displayed, stop the engine and stabilize the vehicle temperature at 25°C (77°F) or cooler. After "TANK F/TMP SE" becomes less than 30°C (86°F), retest.

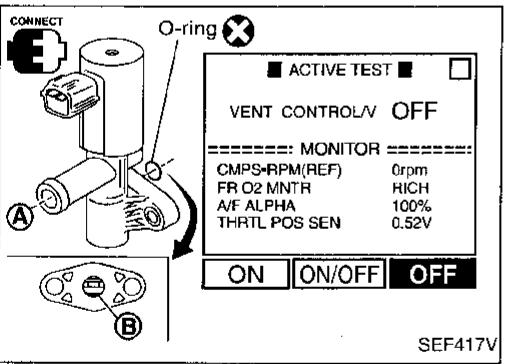
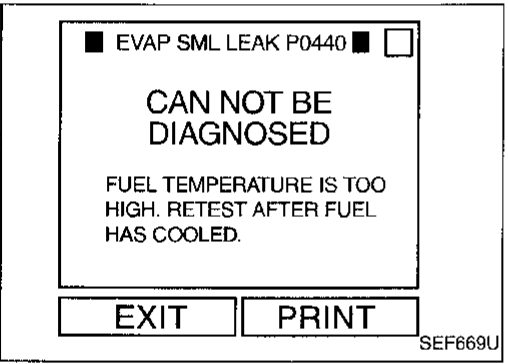
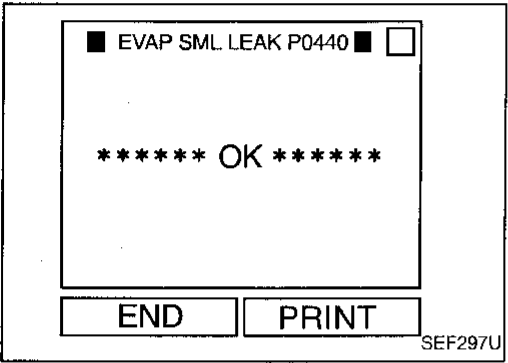
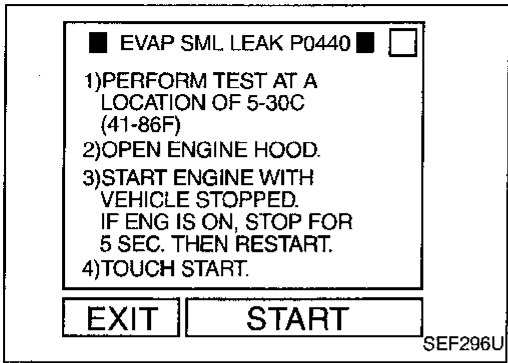
(Use a fan to reduce the stabilization time.)

- 4) Disconnect hose from water separator.
- 5) Select "VENT CONTROL/V" of "ACTIVE TEST" mode with CONSULT.
- 6) Touch "ON" and "OFF" alternately.
- 7) Make sure the following.

Condition	Air passage continuity between (A) and (B)
VENT CONTROL/V	
ON	No
OFF	Yes

If the result is NG, go to "DIAGNOSTIC PROCEDURE", EC-381.

If the result is OK, go to "DIAGNOSTIC PROCEDURE" for "TROUBLE DIAGNOSIS FOR DTC P0440", EC-263.



GI
MA
EM
LC
EC
FE
CL
MT
AT
PD
FA
RA
BR
ST
RS
BT
HA
EL
IDX

TROUBLE DIAGNOSIS FOR DTC P1448

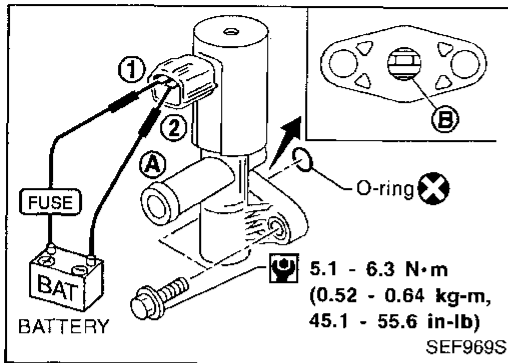
Evaporative Emission (EVAP) Canister Vent Control Valve (Open) (Cont'd)

OR

OVERALL FUNCTION CHECK

Use this procedure to check the overall function of the EVAP canister vent control valve circuit. During this check, a DTC might not be confirmed.

- 1) Disconnect hose from water separator.
- 2) Disconnect EVAP canister vent control valve harness connector.
- 3) Verify the following.



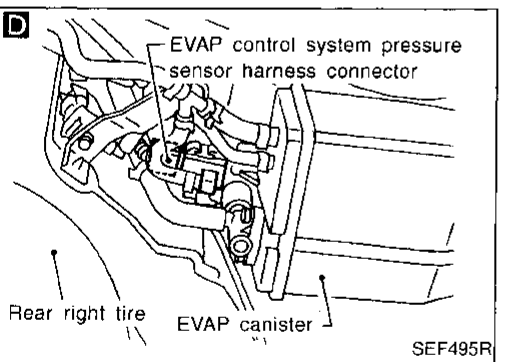
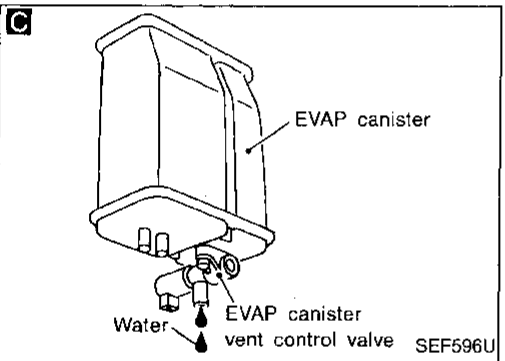
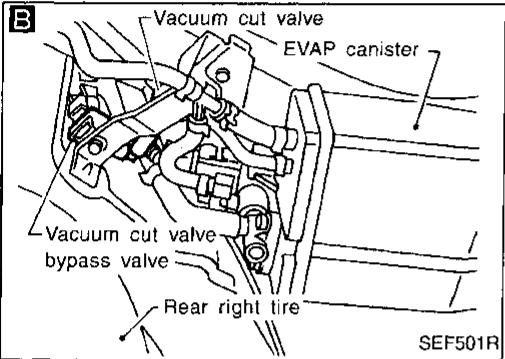
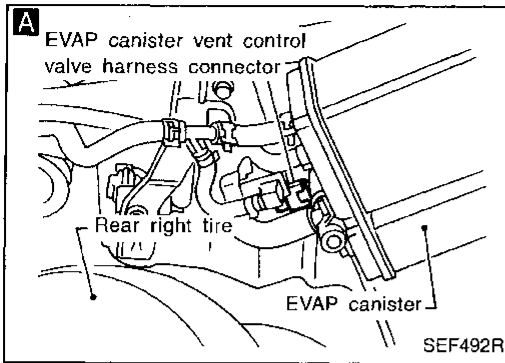
Condition	Air passage continuity
12V direct current supply between terminals ① and ②	No
No supply	Yes

If the result is NG, go to "DIAGNOSTIC PROCEDURE", EC-381.

If the result is OK, go to "TROUBLE DIAGNOSIS FOR DTC P0440", EC-260.

TROUBLE DIAGNOSIS FOR DTC P1448

Evaporative Emission (EVAP) Canister Vent Control Valve (Open) (Cont'd) DIAGNOSTIC PROCEDURE



INSPECTION START

CHECK RUBBER TUBE FOR DISCONNECTION.
Check disconnection of rubber tube to EVAP canister vent control valve and clean the rubber hose and/or vent control valve then install properly.

OK

A
CHECK COMPONENT
(EVAP canister vent control valve and O-ring).
Refer to "COMPONENT INSPECTION" on next page.

NG

Replace EVAP canister vent control valve and O-ring.

OK

B
CHECK COMPONENT
(Vacuum cut valve).
Refer to "COMPONENT INSPECTION", EC-392.

NG

Replace vacuum cut valve.

OK

C
CHECK IF EVAP CANISTER IS SATURATED WITH WATER.
1. Remove EVAP canister with EVAP canister vent control valve attached.
2. Check if water will drain from the EVAP canister.
If it will, weigh the EVAP canister with the vent control valve attached.
If the weight is:
More than 1.8 kg (4.0 lb) → NG
Less than 1.8 kg (4.0 lb) → OK

NG

Check the following.
1. Visually check the EVAP canister for damage.
2. Check hose connection between EVAP canister and water separator for clogging and poor connection.
3. Check water separator.
Refer to "COMPONENT INSPECTION", EC-382.
If NG, repair hose or replace EVAP canister or water separator.

OK

D
CHECK COMPONENT
(EVAP control system pressure sensor).
1. Check for disconnection of hose connected to the sensor.
2. Check harness connector for water.
Water should not exist.
If OK, go to step 3.
3. Check EVAP control system pressure sensor.
Refer to "COMPONENT INSPECTION" on next page.

NG

Replace EVAP control system pressure sensor and repair or replace harness and connector.

OK

Perform "TROUBLE DIAGNOSIS FOR INTERMITTENT INCIDENT", EC-96.

INSPECTION END

GI

MA

EM

LC

EC

FE

CL

MT

AT

PD

FA

RA

BR

ST

RS

BT

HA

EL

IDX

TROUBLE DIAGNOSIS FOR DTC P1448

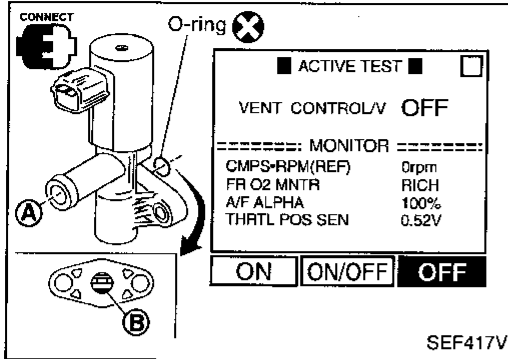
Evaporative Emission (EVAP) Canister Vent Control Valve (Open) (Cont'd)

COMPONENT INSPECTION

EVAP canister vent control valve

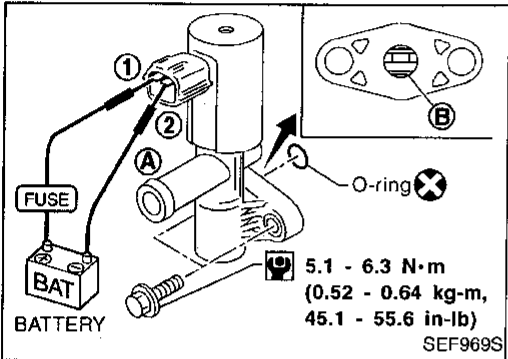
Check air passage continuity.

① Perform "VENT CONTROL/V" in "ACTIVE TEST" mode.



Condition	Air passage continuity between ① and ②
VENT CONTROL/V ON	No
VENT CONTROL/V OFF	Yes

OR



Condition	Air passage continuity between ① and ②
12V direct current supply between terminals ① and ②	No
No supply	Yes

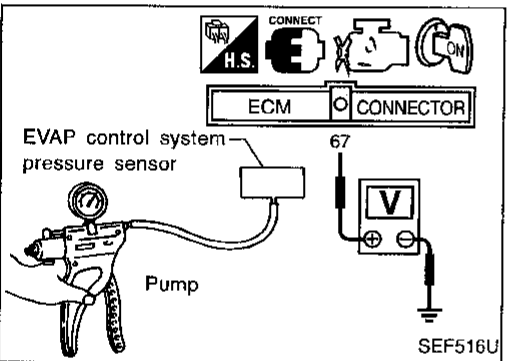
If NG, clean valve using air blower or replace as necessary.

If the portion ② is rusted, replace EVAP canister vent control valve.

Make sure new O-ring is installed properly.

EVAP control system pressure sensor

1. Remove EVAP control system pressure sensor with its harness connector connected.
2. Remove hose from EVAP control system pressure sensor.
3. Use pump to apply vacuum and pressure to EVAP control system pressure sensor as shown in figure.
4. Check output voltage between ECM terminal ⑥7 and engine ground.



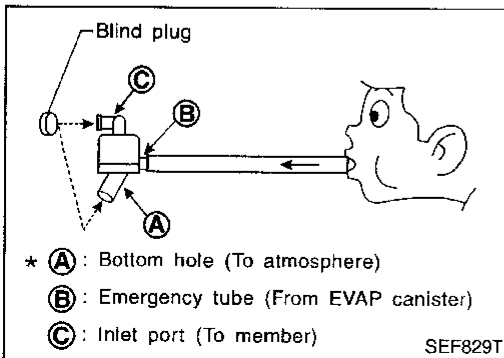
Pressure (Relative to atmospheric pressure)	Voltage (V)
0 kPa (0 mmHg, 0 inHg)	3.0 - 3.6
-9.3 kPa (-70 mmHg, -2.76 inHg)	0.4 - 0.6

CAUTION:

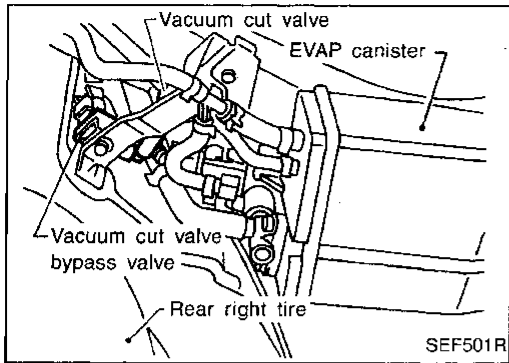
- Always calibrate the vacuum pump gauge when using it.
 - Do not apply pressure below -20.0 kPa (-150 mmHg, -5.91 inHg) or over 20.0 kPa (150 mmHg, 5.91 inHg).
5. If NG, replace EVAP control system pressure sensor.

Water separator

1. Check visually for insect nests in water separator air inlet.
 2. Check visually for cracks or flaws in the appearance.
 3. Check visually for cracks or flaws in the hose.
 4. Check that ① and ③ are not clogged by blowing air into ② with ①, and then ③ plugged.
 5. In case of NG in items 2 - 4, replace the parts.
- Do not disassemble water separator.



TROUBLE DIAGNOSIS FOR DTC P1490



Vacuum Cut Valve Bypass Valve (Circuit)

COMPONENT DESCRIPTION

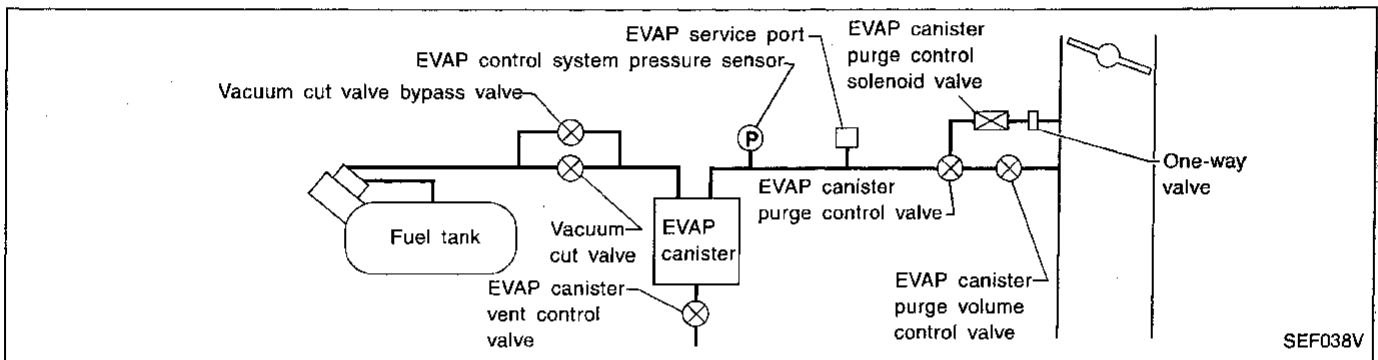
The vacuum cut valve and vacuum cut valve bypass valve are installed in parallel on the EVAP purge line between the fuel tank and the EVAP canister.

The vacuum cut valve prevents the intake manifold vacuum from being applied to the fuel tank.

The vacuum cut valve bypass valve is a solenoid type valve and generally remains closed. It opens only for on board diagnosis.

The vacuum cut valve bypass valve responds to signals from the ECM. When the ECM sends an ON (ground) signal, the valve is opened. The vacuum cut valve is then bypassed to apply intake manifold vacuum to the fuel tank.

EVAPORATIVE EMISSION SYSTEM DIAGRAM



CONSULT REFERENCE VALUE IN DATA MONITOR MODE

Specification data are reference values.

MONITOR ITEM	CONDITION	SPECIFICATION
VC/V BYPASS/V	• Ignition switch: ON	OFF

ECM TERMINALS AND REFERENCE VALUE

Specification data are reference values and are measured between each terminal and (43) (ECCS ground).

TER-MINAL NO.	WIRE COLOR	ITEM	CONDITION	DATA (DC Voltage)
117	G/R	Vacuum cut valve bypass valve	Ignition switch "ON"	BATTERY VOLTAGE (11 - 14V)

ON BOARD DIAGNOSIS LOGIC

Diagnostic Trouble Code No.	Malfunction is detected when	Check Items (Possible Cause)
P1490 0801	<ul style="list-style-type: none"> An improper voltage signal is sent to ECM through vacuum cut valve bypass valve. 	<ul style="list-style-type: none"> Harness or connectors (The vacuum cut valve bypass valve circuit is open or shorted.) Vacuum cut valve bypass valve

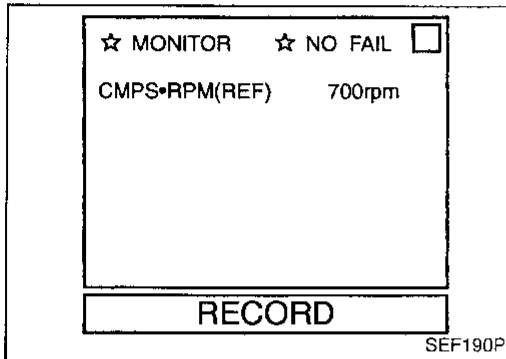
TROUBLE DIAGNOSIS FOR DTC P1490

Vacuum Cut Valve Bypass Valve (Circuit) (Cont'd)

DIAGNOSTIC TROUBLE CODE CONFIRMATION PROCEDURE

NOTE:

If "DIAGNOSTIC TROUBLE CODE CONFIRMATION PROCEDURE" has been previously conducted, always turn ignition switch "OFF" and wait at least 5 seconds before conducting the next test.



- 1) Turn ignition switch "ON".
- 2) Select "DATA MONITOR" mode with CONSULT.
- 3) Start engine and wait at least 5 seconds.

OR



- 1) Start engine and wait at least 5 seconds.
- 2) Select "MODE 7" with GST.

OR

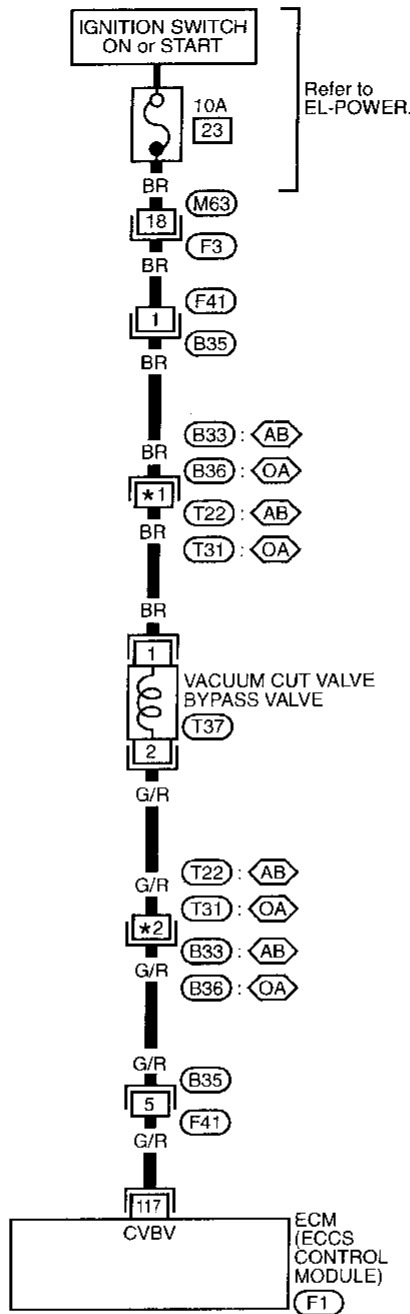


- 1) Start engine and wait at least 5 seconds.
- 2) Turn ignition switch "OFF", wait at least 5 seconds and then turn "ON".
- 3) Perform "Diagnostic Test Mode II (Self-diagnostic results)" with ECM.

TROUBLE DIAGNOSIS FOR DTC P1490

Vacuum Cut Valve Bypass Valve (Circuit) (Cont'd)

EC-BYPS/V-01



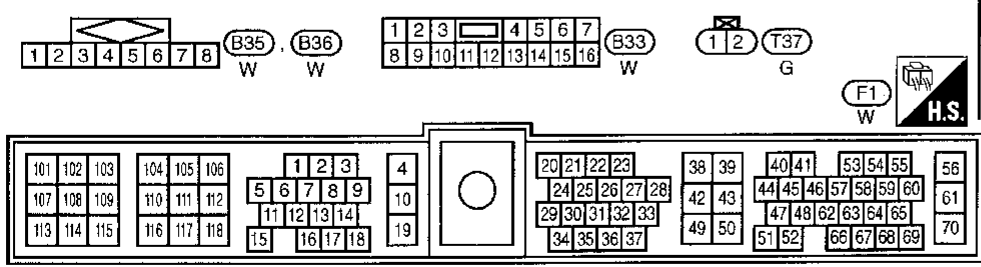
Refer to
EL-POWER.

— : Detectable line for DTC
— : Non-detectable line for DTC

AB : Models with ABS
OA : Models without ABS

- *1 1 : AB
- 1 : OA
- *2 9 : AB
- 5 : OA

GI
MA
EM
LC
EC
FE
CL
MT
AT
PD
FA
RA
BR
ST
RS

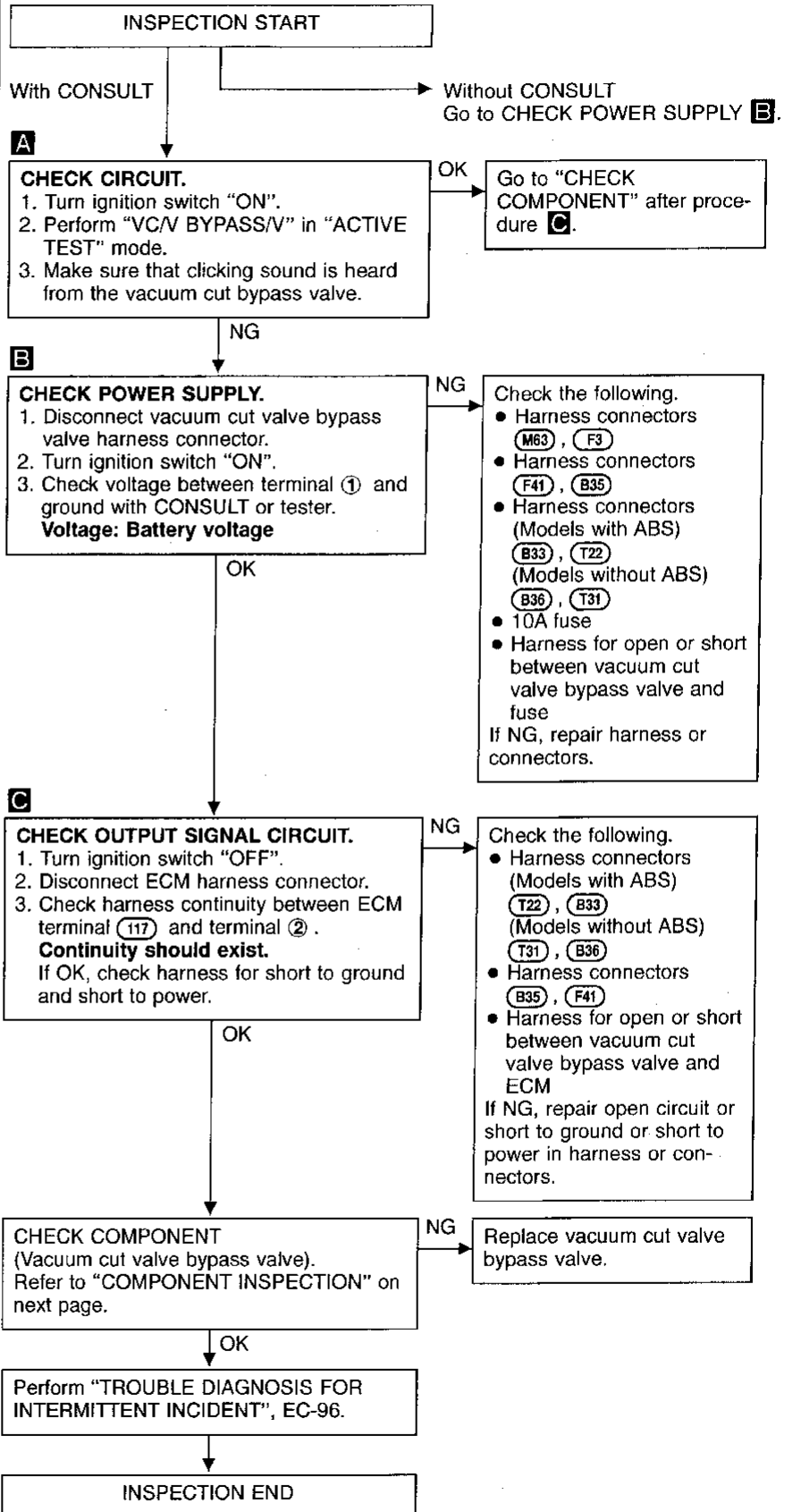
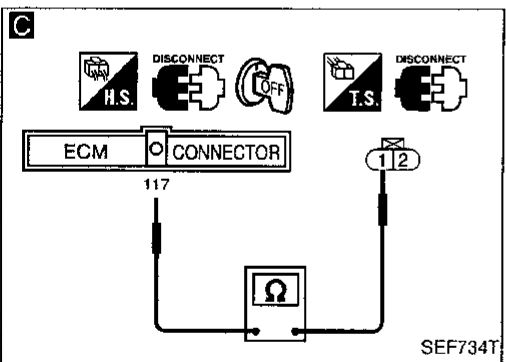
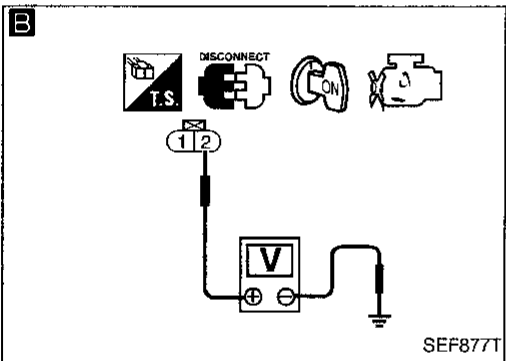
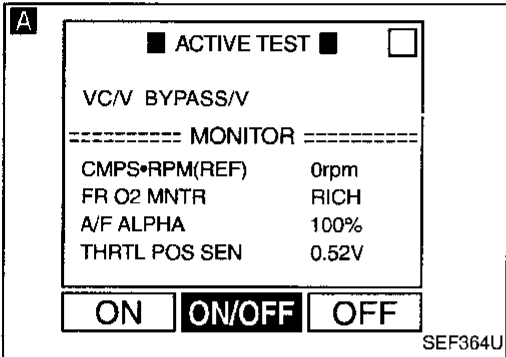
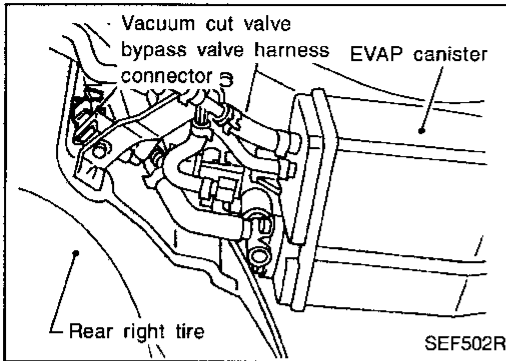


BT
HA
EL
IDX

TROUBLE DIAGNOSIS FOR DTC P1490

Vacuum Cut Valve Bypass Valve (Circuit) (Cont'd)

DIAGNOSTIC PROCEDURE




TROUBLE DIAGNOSIS FOR DTC P1490

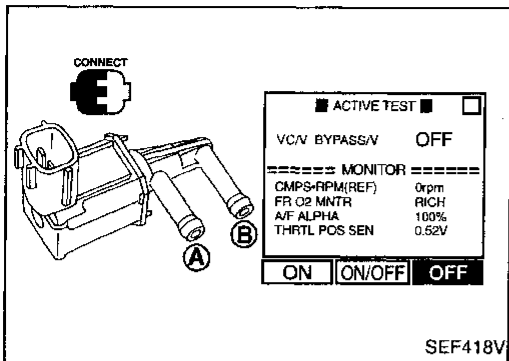
Vacuum Cut Valve Bypass Valve (Circuit) (Cont'd)

COMPONENT INSPECTION

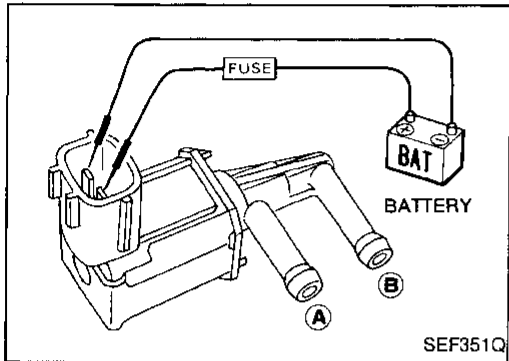
Vacuum cut valve bypass valve

Check air passage continuity.

 Perform "VC/V BYPASS/V" in "ACTIVE TEST" mode.



SEF418V



SEF351Q

Condition VC/V BYPASS/V	Air passage continuity between (A) and (B)
ON	No
OFF	Yes

OR



Condition	Air passage continuity between (A) and (B)
12V direct current supply between terminals	Yes
No supply	No

If NG, replace vacuum cut valve bypass valve.

GI

MA

EM

LC

EC

FE

CL

MT

AT

PD

FA

RA

BR

ST

RS

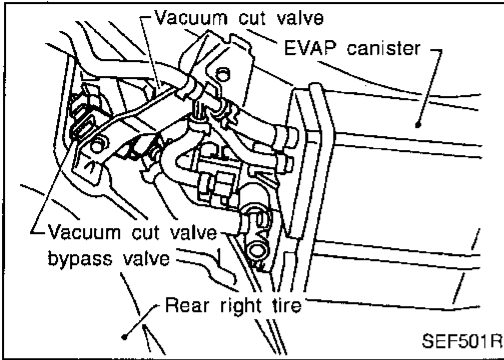
BT

HA

EL

IDX

TROUBLE DIAGNOSIS FOR DTC P1491



Vacuum Cut Valve Bypass Valve

COMPONENT DESCRIPTION

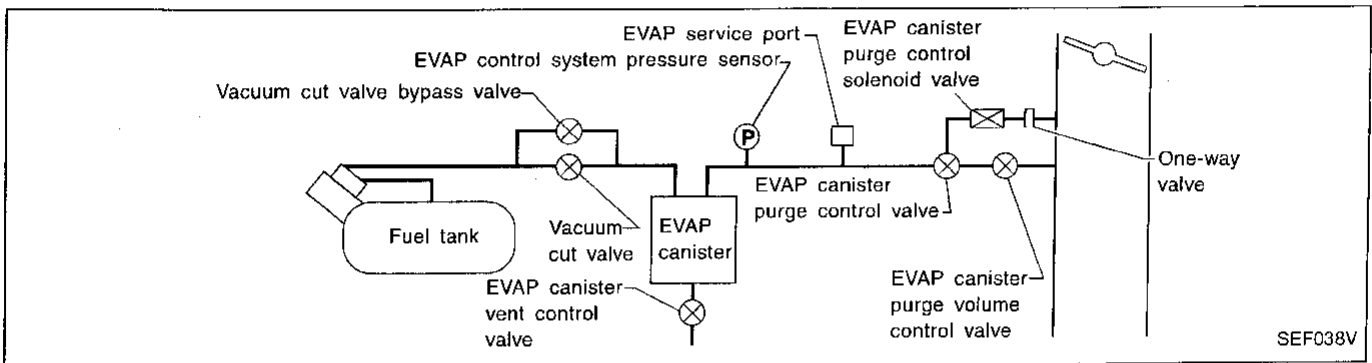
The vacuum cut valve and vacuum cut valve bypass valve are installed in parallel on the EVAP purge line between the fuel tank and the EVAP canister.

The vacuum cut valve prevents the intake manifold vacuum from being applied to the fuel tank.

The vacuum cut valve bypass valve is a solenoid type valve and generally remains closed. It opens only for on board diagnosis.

The vacuum cut valve bypass valve responds to signals from the ECM. When the ECM sends an ON (ground) signal, the valve is opened. The vacuum cut valve is then bypassed to apply intake manifold vacuum to the fuel tank.

EVAPORATIVE EMISSION SYSTEM DIAGRAM



CONSULT REFERENCE VALUE IN DATA MONITOR MODE

Specification data are reference values.

MONITOR ITEM	CONDITION	SPECIFICATION
VC/V BYPASS/V	● Ignition switch: ON	OFF

ECM TERMINALS AND REFERENCE VALUE

Specification data are reference values and are measured between each terminal and Ⓞ (ECCS ground).

TER-MINAL NO.	WIRE COLOR	ITEM	CONDITION	DATA (DC Voltage)
117	G/R	Vacuum cut valve bypass valve	Ignition switch "ON"	BATTERY VOLTAGE (11 - 14V)

ON BOARD DIAGNOSIS LOGIC

Diagnostic Trouble Code No.	Malfunction is detected when	Check Items (Possible Cause)
P1491 0311	● Vacuum cut valve bypass valve does not operate properly.	<ul style="list-style-type: none"> ● Vacuum cut valve bypass valve ● Vacuum cut valve ● Bypass hoses for clogging ● EVAP control system pressure sensor ● EVAP canister vent control valve ● Hose between fuel tank and vacuum cut valve clogged ● Hose between vacuum cut valve and EVAP canister clogged ● EVAP canister ● EVAP purge port of fuel tank for clogging

TROUBLE DIAGNOSIS FOR DTC P1491

Vacuum Cut Valve Bypass Valve (Cont'd)

DIAGNOSTIC TROUBLE CODE CONFIRMATION PROCEDURE

CAUTION:

Always drive vehicle at a safe speed.

NOTE:

If "DIAGNOSTIC TROUBLE CODE CONFIRMATION PROCEDURE" has been previously conducted, always turn ignition switch "OFF" and wait at least 5 seconds before conducting the next test.

TESTING CONDITION:

- Always perform test at a temperature of 5 to 30°C (41 to 86°F).
- This test may be conducted with the drive wheels lifted in the shop or by driving the vehicle. If a road test is expected to be easier, it is unnecessary to lift the vehicle.



- 1) Turn ignition switch "ON".
- 2) Start engine and warm it up to normal operating temperature.
- 3) Turn ignition switch "OFF" and wait at least 5 seconds.
- 4) Start engine and let it idle for at least 1 minute.
- 5) Select "PURG CN/V & S/V P1493" of "EVAPORATIVE SYSTEM" in "DTC WORK SUPPORT" mode with CONSULT.
- 6) Touch "START".
- 7) When the following conditions are met, "TESTING" will be displayed on the CONSULT screen. Maintain the conditions continuously until "TESTING" changes to "COMPLETED". (It will take at least 30 seconds.)

CMPS-RPM (REF): 1,000 - 3,000 rpm

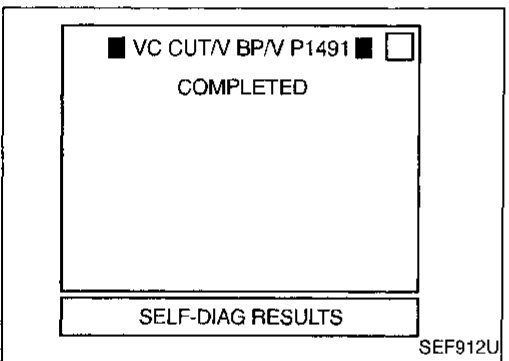
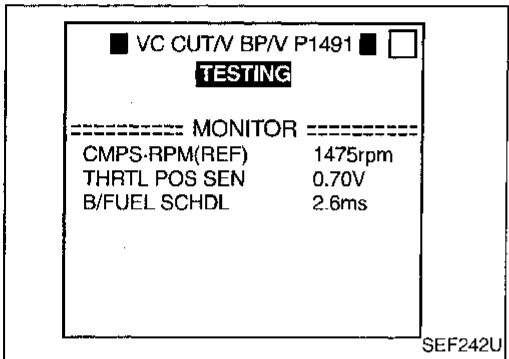
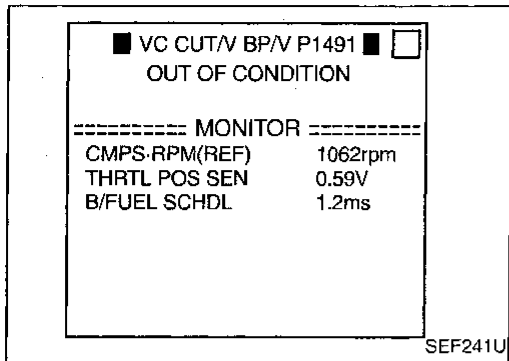
Vehicle speed: 30 - 100 km/h (19 - 62 MPH)

B/FUEL SCHDL: 1 - 4.5 ms

Selector lever: Suitable position

If "TESTING" is not displayed after 5 minutes, retry from step 3).

- 8) Make sure that "OK" is displayed after touching "SELF-DIAG RESULTS" and go to the following step. If "NG" is displayed, refer to "TROUBLE DIAGNOSIS FOR DTC P1493", EC-398.
 - 9) Select "PURG VOL C/V P1444" of "EVAPORATIVE SYSTEM" in "DTC WORK SUPPORT" mode with CONSULT.
 - 10) Touch "START".
If "COMPLETED" is displayed, go to step 12).
 - 11) When the following conditions are met, "TESTING" will be displayed on the CONSULT screen. Maintain the conditions continuously until "TESTING" changes to "COMPLETED". (It will take at least 20 seconds.)
CMPS-RPM (REF): 1,000 - 3,000 rpm
Vehicle speed: 30 - 100 km/h (19 - 62 MPH)
B/FUEL SCHDL: 1 - 4.5 ms
Selector lever: Suitable position
- If "TESTING" is not displayed after 5 minutes, retry from step 3).
- 12) Make sure that "OK" is displayed after touching "SELF-DIAG RESULTS" and go to the following step. If "NG" is displayed, refer to "TROUBLE DIAGNOSIS FOR DTC P1444", EC-358.
 - 13) Select "VC CUT/V BP/V P1491" of "EVAPORATIVE SYSTEM" in "DTC WORK SUPPORT" mode with CONSULT.



GI

MA

EM

LC

EC

FE

CL

MT

AT

PD

FA

RA

BR

ST

RS

BT

HA

EL

IDX

TROUBLE DIAGNOSIS FOR DTC P1491

Vacuum Cut Valve Bypass Valve (Cont'd)

14) Touch "START".

15) When the following conditions are met, "TESTING" will be displayed on the CONSULT screen. Maintain the conditions continuously until "TESTING" changes to "COMPLETED". (It will take at least 30 seconds.)

CMPS-RPM (REF): 1,000 - 3,000 rpm

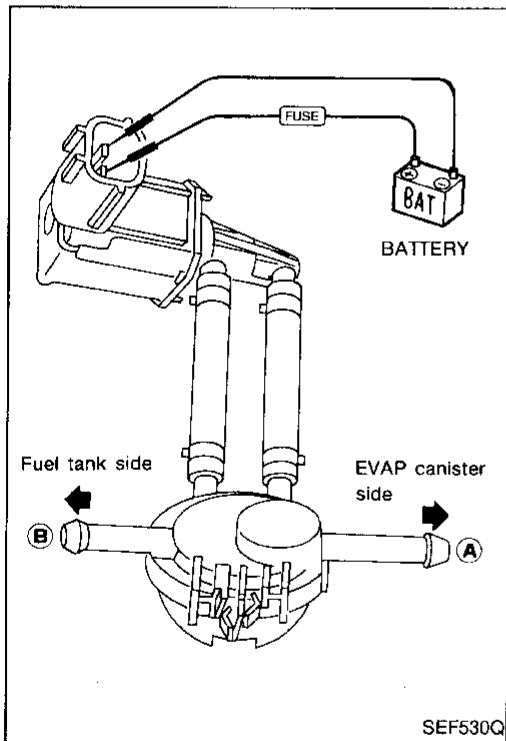
Vehicle speed: 30 - 100 km/h (19 - 62 MPH)

B/FUEL SCHDL: 0.4 - 4.5 ms

Selector lever: Suitable position

If "TESTING" is not displayed after 5 minutes, retry from step 3).

16) Make sure that "OK" is displayed after touching "SELF-DIAG RESULTS". If "NG" is displayed, refer to "DIAGNOSTIC PROCEDURE" on the next page.



OR OVERALL FUNCTION CHECK

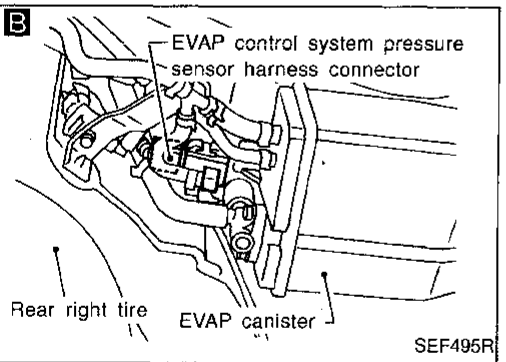
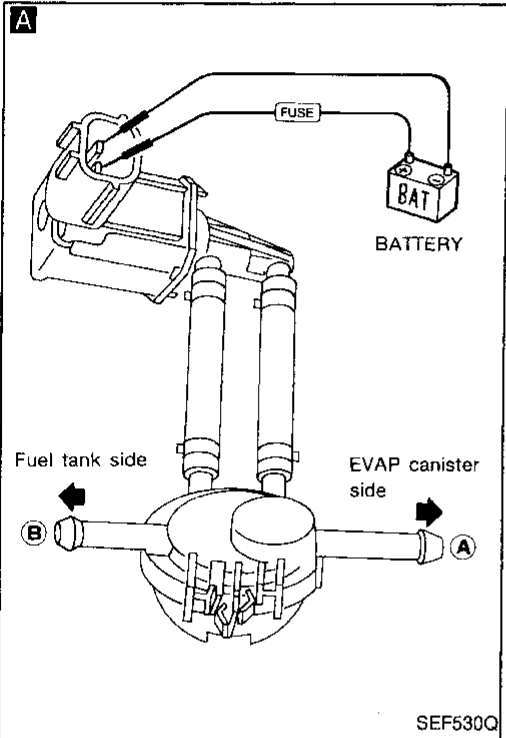
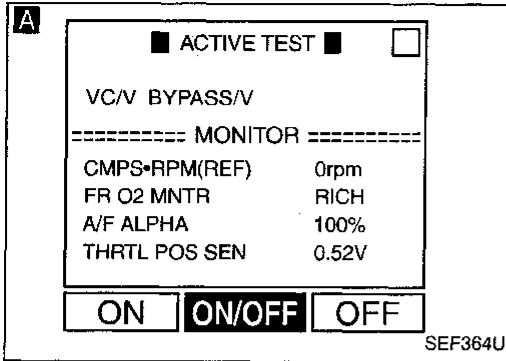


- 1) Remove vacuum cut valve and vacuum cut valve bypass valve as an assembly.
- 2) Apply vacuum to port (A) and check that there is no suction from port (B).
- 3) Apply vacuum to port (B) and check that there is suction from port (A).
- 4) Blow air in port (B) and check that there is a resistance to flow out of port (A).
- 5) Supply battery voltage to the terminal.
- 6) Blow air in port (A) and check that air flows freely out of port (B).
- 7) Blow air in port (B) and check that air flows freely out of port (A).

TROUBLE DIAGNOSIS FOR DTC P1491

Vacuum Cut Valve Bypass Valve (Cont'd)

DIAGNOSTIC PROCEDURE



INSPECTION START

A
CHECK COMPONENT.
 1. Remove vacuum cut valve and vacuum cut valve bypass valve as an assembly.
 2. Apply vacuum to port (A) and check that there is no suction from port (B).
 3. Apply vacuum to port (B) and check that there is suction from port (A).
 4. Blow air in port (B) and check that there is a resistance to flow out of port (A).
 5. Select "VC/V BYPASS/V" in "ACTIVE TEST" mode with CONSULT and touch "ON".
 OR
 5. Supply battery voltage to the terminal.
 6. Blow air in port (A) and check that air flows freely out of port (B).
 7. Blow air in port (B) and check that air flows freely out of port (A).

OK → Check the following.
 • EVAP purge line between EVAP canister and fuel tank for clogging or disconnection
 • EVAP canister refer to EC-20.
 • EVAP purge port of fuel tank for clogging
 If NG, repair or replace.

NG → Check bypass hoses for clogging.

NG → Repair or replace hoses.

B
CHECK COMPONENT
 (Vacuum cut valve, vacuum cut valve bypass valve).
 Refer to "COMPONENT INSPECTION", EC-392.

NG → Replace malfunctioning parts.

B
CHECK COMPONENT
 (EVAP system control pressure sensor).
 1. Check for disconnection of hose connected to the sensor.
 2. Check sensor harness connector for water.
Water should not exist.
 If OK, go to the following step.
 3. Check EVAP control system pressure sensor.
 Refer to "COMPONENT INSPECTION", EC-286.

NG → Replace EVAP control system pressure sensor and repair or replace harness and connector.

CHECK COMPONENT
 (EVAP canister vent control valve).
 Refer to "COMPONENT INSPECTION", EC-382.

NG → Repair or replace.

INSPECTION END

GI
 MA
 EM
 LC
EC
 FE
 CL
 MT
 AT
 PD
 FA
 RA
 BR
 ST
 RS
 BT
 HA
 EL
 IDX

TROUBLE DIAGNOSIS FOR DTC P1491

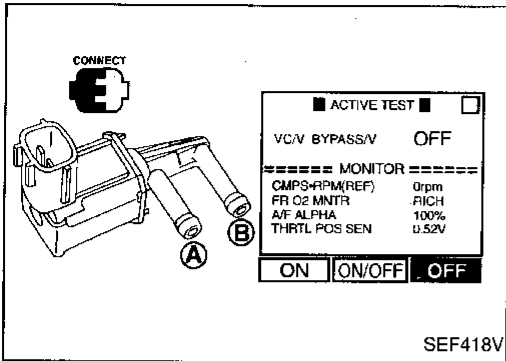
Vacuum Cut Valve Bypass Valve (Cont'd)

COMPONENT INSPECTION

Vacuum cut valve bypass valve

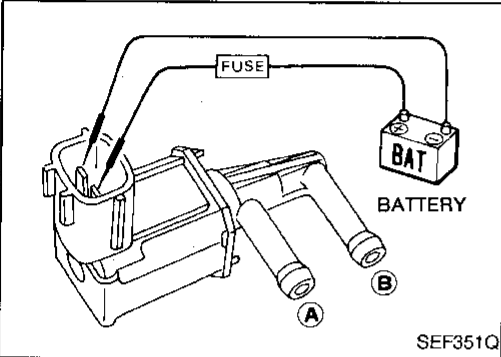
Check air passage continuity.

 Perform "VC/V BYPASS/V" in "ACTIVE TEST" mode.



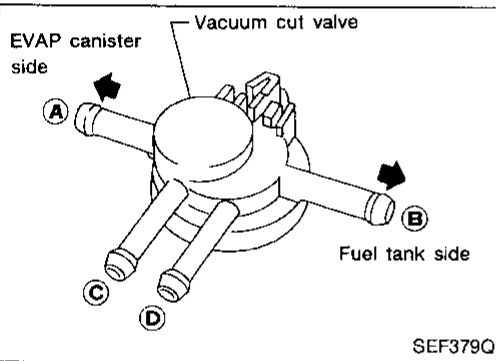
Condition VC/V BYPASS/V	Air passage continuity between (A) and (B)
ON	Yes
OFF	No

OR



Condition	Air passage continuity between (A) and (B)
12V direct current supply between terminals	Yes
No supply	No

If NG, replace vacuum cut valve bypass valve.



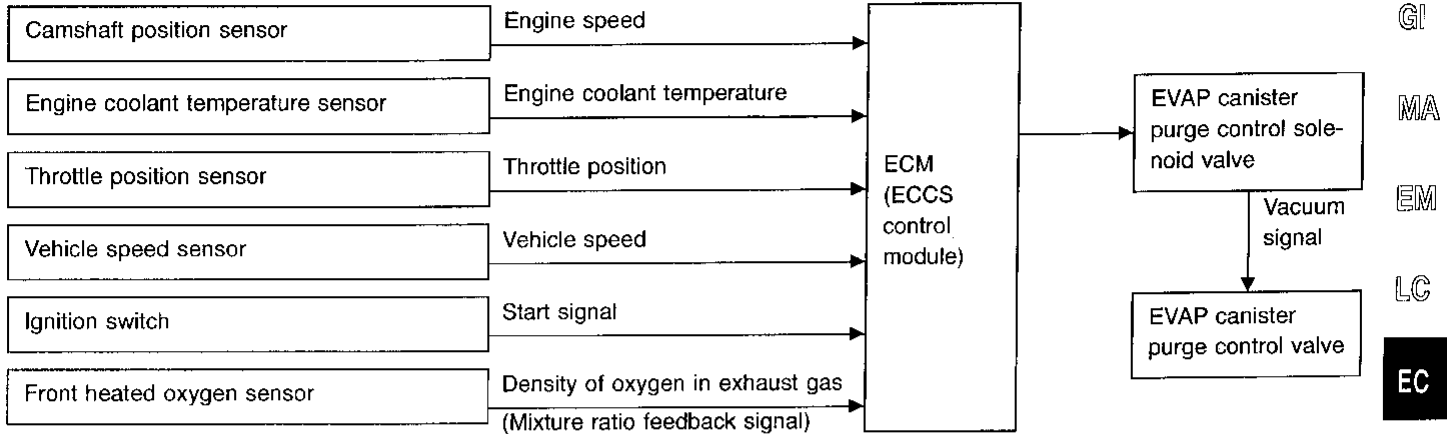
Vacuum cut valve

Check vacuum cut valve as follows:

1. Plug port (C) and (D) with fingers.
2. Apply vacuum to port (A) and check that there is no suction from port (B).
3. Apply vacuum to port (B) and check that there is suction from port (A).
4. Blow air in port (B) and check that there is a resistance to flow out of port (A).
5. Open port (C) and (D).
6. Blow air in port (A) check that air flows freely out of port (C).
7. Blow air in port (B) check that air flows freely out of port (D).

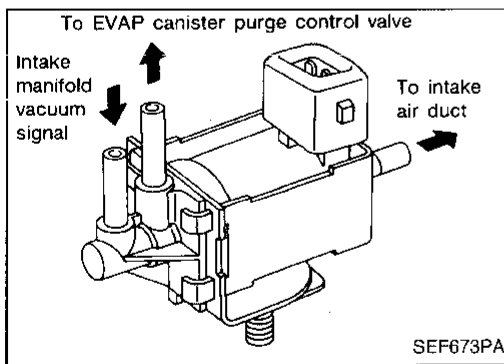
Evaporative Emission (EVAP) Canister Purge Control Valve/Solenoid Valve (Circuit)

SYSTEM DESCRIPTION



This system controls the vacuum signal applied to the EVAP canister purge control valve. When the ECM detects any of the following conditions, current does not flow through the EVAP canister purge control solenoid valve. The solenoid valve cuts the vacuum signal so that the EVAP canister purge control valve remains closed.

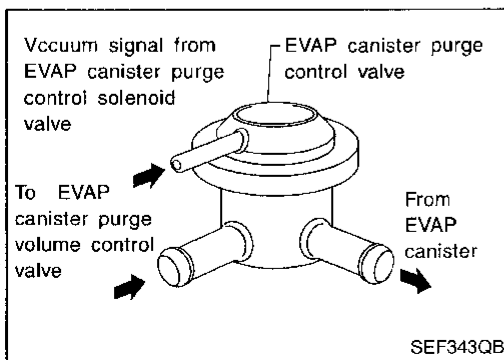
- Ignition switch "ON"
- Closed throttle position
- Low engine coolant temperature
- During deceleration
- Engine stopped
- Low vehicle speed
- For 60 seconds after starting engine (After warm-up to normal operating temperature)



COMPONENT DESCRIPTION

EVAP canister purge control solenoid valve

The EVAP canister purge control solenoid valve responds to signals from the ECM. When the ECM sends an OFF signal, the vacuum signal (from the intake manifold to the EVAP canister purge control valve) is cut. When the ECM sends an ON (ground) signal, the vacuum signal passes through the EVAP canister purge control solenoid valve. The signal then opens the EVAP canister purge control valve.



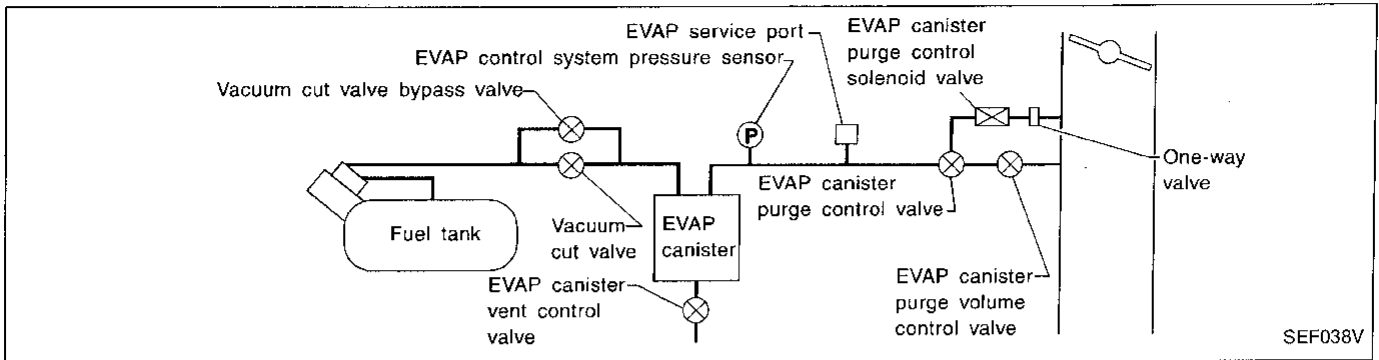
EVAP canister purge control valve

When the vacuum signal is cut by EVAP canister purge control solenoid valve, EVAP canister purge control valve closes.

TROUBLE DIAGNOSIS FOR DTC P1492

Evaporative Emission (EVAP) Canister Purge Control Valve/Solenoid Valve (Circuit) (Cont'd)

EVAPORATIVE EMISSION SYSTEM DIAGRAM



CONSULT REFERENCE VALUE IN DATA MONITOR MODE

Specification data are reference values.

MONITOR ITEM	CONDITION	SPECIFICATION
PURG CONT S/V	<ul style="list-style-type: none"> Engine: After warming up Shift lever "N" 	Vehicle stopped OFF
	Vehicle running (Shift lever "1")	ON

ECM TERMINALS AND REFERENCE VALUE

Specification data are reference values and are measured between each terminal and ④ (ECCS ground).

TER-MINAL NO.	WIRE COLOR	ITEM	CONDITION	DATA (DC Voltage)
105	Y/R	EVAP canister purge control solenoid valve	<div style="border: 1px solid black; padding: 2px;">Engine is running.</div> <ul style="list-style-type: none"> Idle speed 	BATTERY VOLTAGE (11 - 14V)

ON BOARD DIAGNOSIS LOGIC

Diagnostic Trouble Code No.	Malfunction is detected when	Check Items (Possible Cause)
P1492 0807	<ul style="list-style-type: none"> The improper voltage signal is sent to ECM through EVAP canister purge control solenoid valve. 	<ul style="list-style-type: none"> Harness or connectors (The EVAP canister purge control solenoid valve circuit is open or shorted.) EVAP canister purge control solenoid valve

TROUBLE DIAGNOSIS FOR DTC P1492

Evaporative Emission (EVAP) Canister Purge Control Valve/Solenoid Valve (Circuit) (Cont'd)

DIAGNOSTIC TROUBLE CODE CONFIRMATION PROCEDURE

NOTE:

If "DIAGNOSTIC TROUBLE CODE CONFIRMATION PROCEDURE" has been previously conducted, always turn ignition switch "OFF" and wait at least 5 seconds before conducting the next test.

☆ MONITOR	☆ NO FAIL	<input type="checkbox"/>
CMPS•RPM(REF)	Orpm	
RECORD		

SEF033V



- 1) Turn ignition switch "ON".
- 2) Select "DATA MONITOR" mode with CONSULT.
- 3) Wait at least 5 seconds.

OR



- 1) Turn ignition switch "ON" and wait at least 5 seconds.
- 2) Select "MODE 7" with GST.

OR



- 1) Turn ignition switch "ON" and wait at least 5 seconds.
- 2) Perform "Diagnostic Test Mode II (Self-diagnostic results)" with ECM.

GI

MA

EM

LC

EC

FE

CL

MT

AT

PD

FA

RA

BR

ST

RS

BT

HA

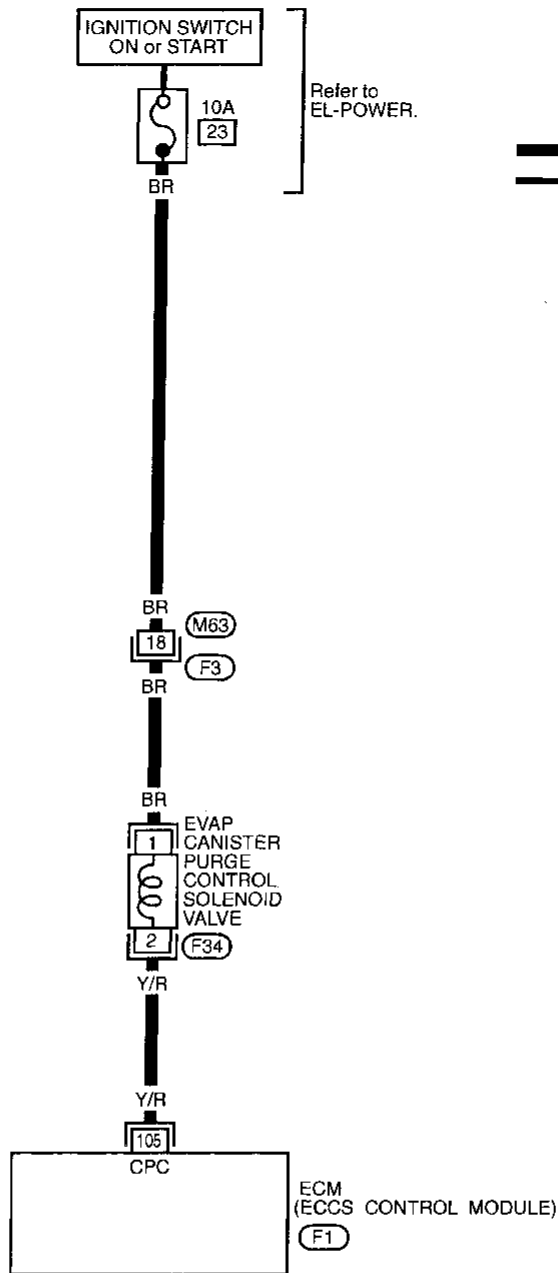
EL

IDX

TROUBLE DIAGNOSIS FOR DTC P1492

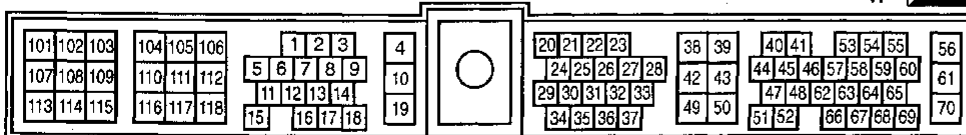
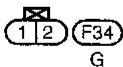
Evaporative Emission (EVAP) Canister Purge Control Valve/Solenoid Valve (Circuit) (Cont'd)

EC-CANI/V-01



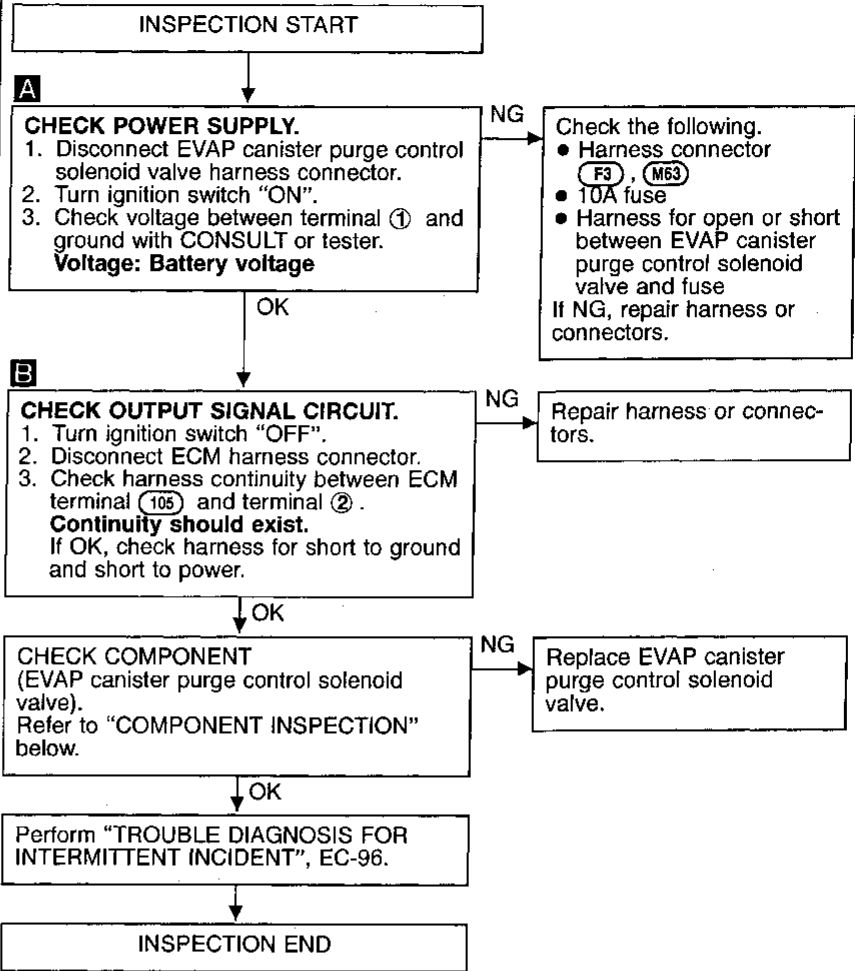
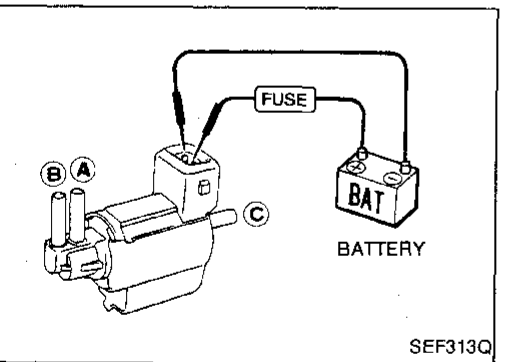
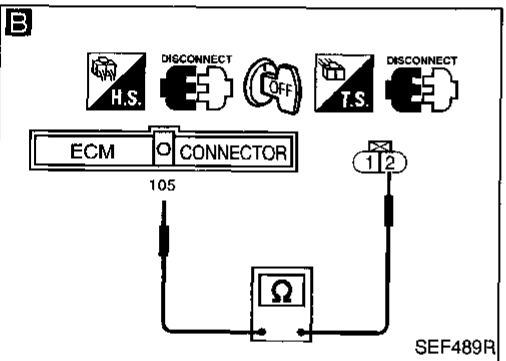
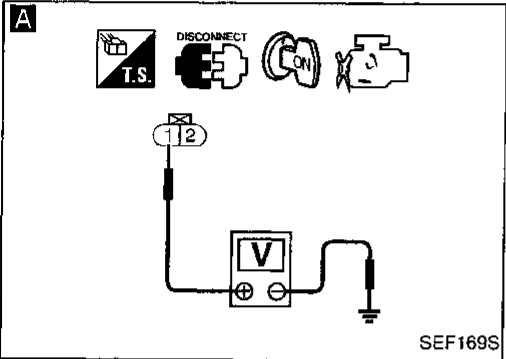
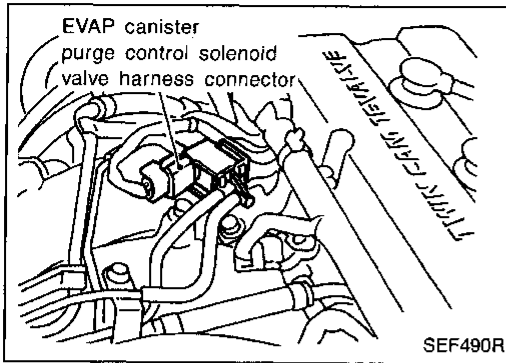
Refer to last page (Foldout page).

M63 , F3



TROUBLE DIAGNOSIS FOR DTC P1492

Evaporative Emission (EVAP) Canister Purge Control Valve/Solenoid Valve (Circuit) (Cont'd) DIAGNOSTIC PROCEDURE



COMPONENT INSPECTION

EVAP canister purge control solenoid valve

Check air passage continuity.

Condition	Air passage continuity between (A) and (B)	Air passage continuity between (A) and (C)
12V direct current supply between terminals	Yes	No
No supply	No	Yes

If NG, replace solenoid valve.

GI

MA

EM

LC

EC

FE

CL

MT

AT

PD

FA

RA

BR

ST

RS

BT

HA

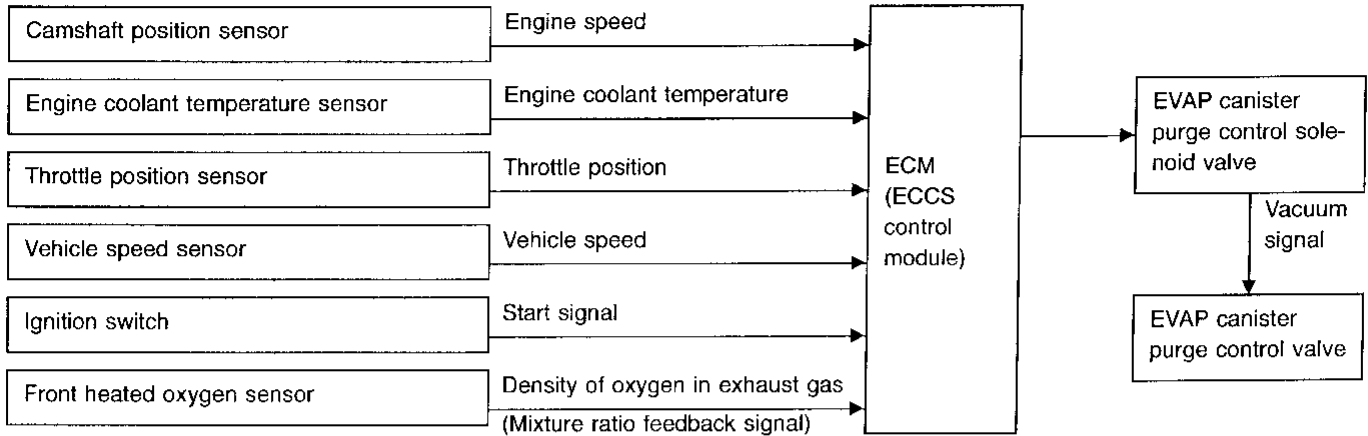
EL

IDX

547

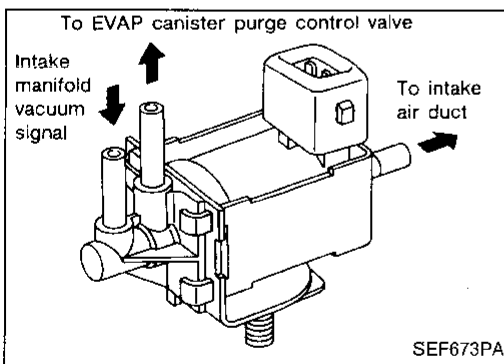
Evaporative Emission (EVAP) Canister Purge Control Valve/Solenoid Valve

SYSTEM DESCRIPTION



This system controls the vacuum signal applied to the EVAP canister purge control valve. When the ECM detects any of the following conditions, current does not flow through the EVAP canister purge control solenoid valve. The solenoid valve cuts the vacuum signal so that the EVAP canister purge control valve remains closed.

- Ignition switch "ON"
- Closed throttle position
- Low engine coolant temperature
- During deceleration
- Engine stopped
- Low vehicle speed
- For 60 seconds after starting engine (After warm-up to normal operating temperature)

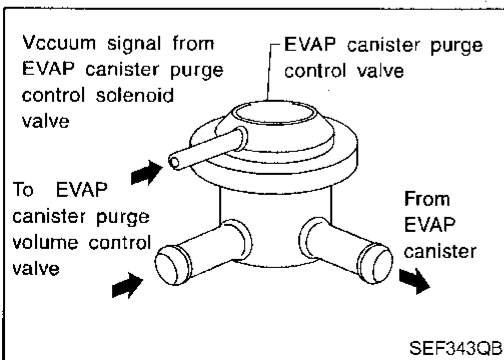


COMPONENT DESCRIPTION

EVAP canister purge control solenoid valve

The EVAP canister purge control solenoid valve responds to signals from the ECM. When the ECM sends an OFF signal, the vacuum signal (from the intake manifold to the EVAP canister purge control valve) is cut.

When the ECM sends an ON (ground) signal, the vacuum signal passes through the EVAP canister purge control solenoid valve. The signal then opens the EVAP canister purge control valve.



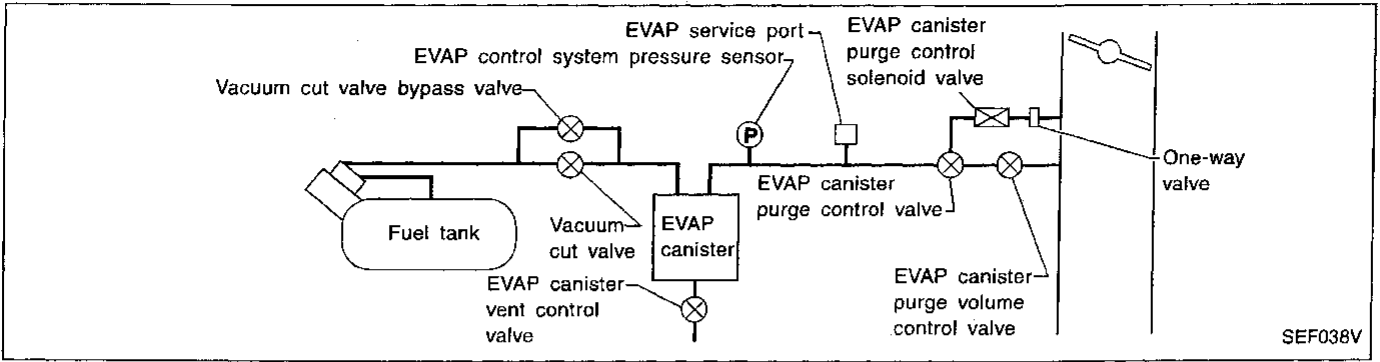
EVAP canister purge control valve

When the vacuum signal is cut by EVAP canister purge control solenoid valve, EVAP canister purge control valve closes.

TROUBLE DIAGNOSIS FOR DTC P1493

Evaporative Emission (EVAP) Canister Purge Control Valve/Solenoid Valve (Cont'd)

EVAPORATIVE EMISSION SYSTEM DIAGRAM



CONSULT REFERENCE VALUE IN DATA MONITOR MODE

Specification data are reference values.

MONITOR ITEM	CONDITION	SPECIFICATION
PURG CONT S/V	<ul style="list-style-type: none"> Engine: After warming up Shift lever "N" 	Vehicle stopped OFF
		Vehicle running (Shift lever "1") ON

ECM TERMINALS AND REFERENCE VALUE

Specification data are reference values and are measured between each terminal and Ⓞ (ECCS ground).

TER-MINAL NO.	WIRE COLOR	ITEM	CONDITION	DATA (DC Voltage)
105	Y/R	EVAP canister purge control solenoid valve	<div style="border: 1px solid black; padding: 2px;">Engine is running.</div> Idle speed	BATTERY VOLTAGE (11 - 14V)

ON BOARD DIAGNOSIS LOGIC

Diagnostic Trouble Code No.	Malfunction is detected when	Check Items (Possible Cause)
P1493 0312	<ul style="list-style-type: none"> EVAP canister purge control valve does not operate properly (stuck open). 	<ul style="list-style-type: none"> EVAP canister purge control valve EVAP canister purge control solenoid valve Vacuum hoses for clogging or disconnection EVAP control system pressure sensor EVAP canister vent control valve Water separator EVAP canister saturated with water

TROUBLE DIAGNOSIS FOR DTC P1493

Evaporative Emission (EVAP) Canister Purge Control Valve/Solenoid Valve (Cont'd)

DIAGNOSTIC TROUBLE CODE CONFIRMATION PROCEDURE

CAUTION:

Always drive vehicle at a safe speed.

NOTE:

- If both DTC P1492 (0807) and P1493 (0312) are displayed, first perform "TROUBLE DIAGNOSIS FOR DTC P1492". Refer to EC-393.
- If "DIAGNOSTIC TROUBLE CODE CONFIRMATION PROCEDURE" has been previously conducted, always turn ignition switch "OFF" and wait at least 5 seconds before conducting the next test.



- 1) Start engine and warm it up to normal operating temperature.
- 2) Turn ignition switch "OFF" and wait at least 5 seconds.
- 3) Turn ignition switch "ON".
- 4) Select "PURG CN/V & S/V P1493" of "EVAPORATIVE SYSTEM" in "DTC WORK SUPPORT" mode with CONSULT.
- 5) Touch "START".
- 6) Start engine and let it idle for at least 90 seconds.
- 7) When the following conditions are met, "TESTING" will be displayed on the CONSULT screen. Maintain the conditions continuously until "TESTING" changes to "COMPLETED". (It will take approximately 30 seconds.)

Vehicle speed: 30 - 100 km/h (19 - 62 MPH)

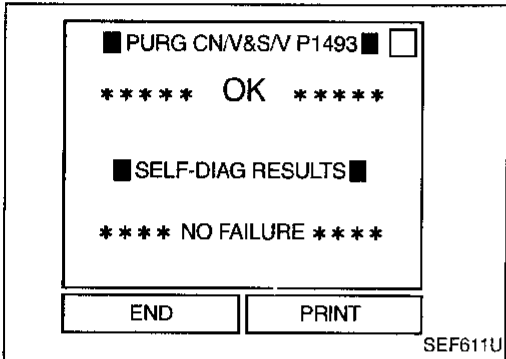
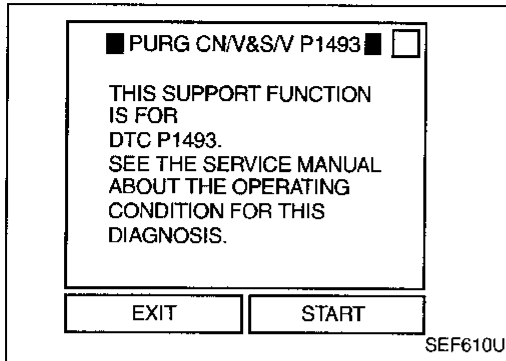
CMPS·RPM (REF): 1,000 - 3,000 rpm

B/FUEL SCHDL: 1 - 4.5 ms

Selector lever: Suitable position

If "TESTING" is not displayed after 5 minutes, retry from step 2).

- 8) Make sure that "OK" is displayed after touching "SELF-DIAG RESULTS". If "NG" is displayed, refer to "DIAGNOSTIC PROCEDURE", EC-402.

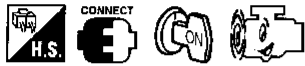


TROUBLE DIAGNOSIS FOR DTC P1493

Evaporative Emission (EVAP) Canister Purge Control Valve/Solenoid Valve (Cont'd)

ENGINE SPD	825RPM
COOLANT TEMP	69°C
VEHICLE SPD	0MPH
IGN ADVANCE	8.0°
CALC LOAD	28.2%
MAP	36KPa
MAF	5.20gm/s
THROTTLE POS	0.0%
INTAKE AIR	27°C
FUEL SYS #1	OLDRIVE
FUEL SYS #2	UNUSED
SHORT FT #1	0.8%
LONG FT #1	0.0%
O2S B1 S1	0.200V
O2FT B1 S1	0.8%
O2S B1 S2	0.010V

SEF519R



51

SEF487R

OR



- 1) Start engine and warm it up to normal operating temperature.
- 2) Select "MODE 1" with GST.
- 3) Check coolant temperature.

Coolant temperature: 40 - 100°C (104 - 212°F)

Be sure that water temperature does not exceed 100°C. If it becomes higher than 100°C, cool down the engine and perform the procedure again from the beginning.

- 4) Turn ignition switch "OFF" and wait at least 5 seconds.
- 5) Restart engine and let it idle for at least 100 seconds.
- 6) Maintain the following conditions for at least 30 seconds.

Vehicle speed: 40 - 80 km/h (25 - 50 MPH)

Engine speed: 1,500 - 2,500 rpm

Gear position: Suitable gear position

Coolant temperature: 40 - 100°C (104 - 212°F)

- 7) Select "MODE 7" with GST.

NOTE:

- Hold the accelerator pedal as steady as possible during driving in step 6.
- If the driving conditions are not satisfied in step 6, restart the procedure.
- It is better that the fuel level is low.

OR



- 1) Start engine and warm it up to normal operating temperature.
- 2) Check voltage between ECM terminal ⑤ and ground
Voltage: 0.8 - 1.5V

Perform the following procedure before the voltage drops below 0.8V. If the voltage drops below 0.8V, cool down the engine and perform the entire procedure all over again.

- 3) Turn ignition switch "OFF" and wait at least 5 seconds.
- 4) Restart engine and let it idle for at least 100 seconds.
- 5) Maintain the following conditions for at least 30 seconds.

Vehicle speed: 40 - 80 km/h (25 - 50 MPH)

Engine speed: 1,500 - 2,500 rpm

Gear position: Suitable gear position

Check voltage between ECM terminal ⑤ and ground: 0.8 - 1.5V

- 6) Stop the vehicle, turn ignition switch "OFF", wait at least 5 seconds, and then turn "ON".
- 7) Perform "Diagnostic Test Mode II (Self-diagnostic results)" with ECM.

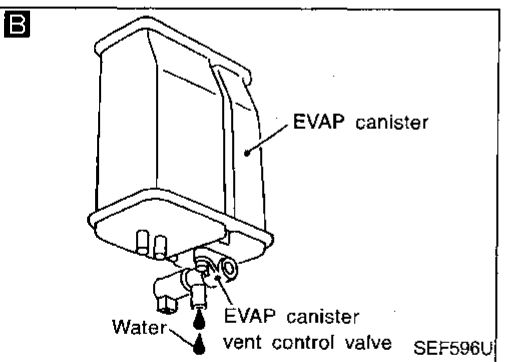
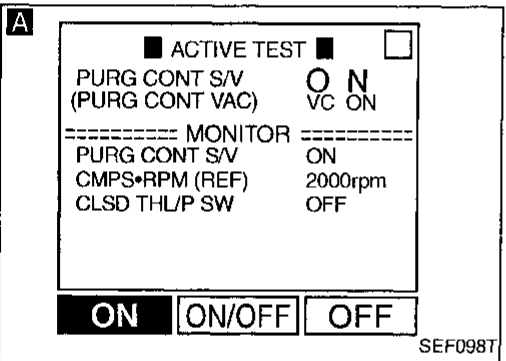
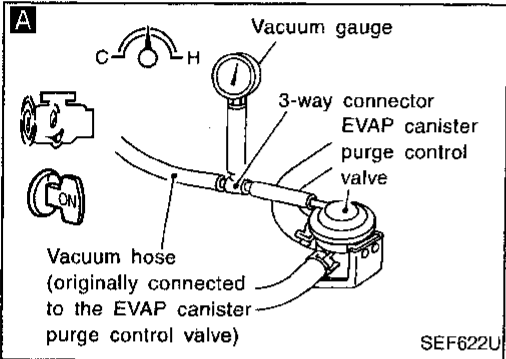
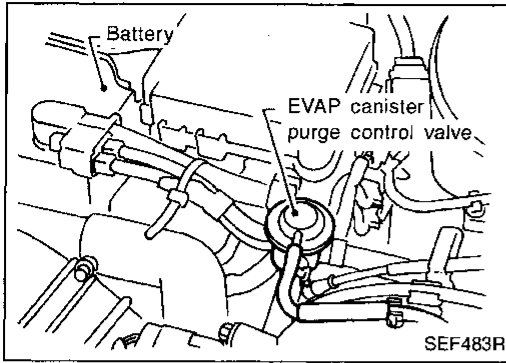
NOTE:

- Hold the accelerator pedal as steady as possible during driving in step 5.
- If the driving conditions are not satisfied in step 5, restart the procedure.
- It is better that the fuel level is low.

TROUBLE DIAGNOSIS FOR DTC P1493

Evaporative Emission (EVAP) Canister Purge Control Valve/Solenoid Valve (Cont'd)

DIAGNOSTIC PROCEDURE



INSPECTION START

A

CHECK VACUUM SIGNAL.

1. Disconnect vacuum hose to EVAP canister purge control valve and install vacuum gauge.
2. Start engine.
3. Perform "PURG CONT S/V" in "ACTIVE TEST" mode.
4. Select "ON" and "OFF" on CONSULT screen to turn on "PURG CONT S/V".
5. Check vacuum hose for vacuum while revving engine up to 2,000 rpm.
ON: Vacuum should exist.
OFF: Vacuum should not exist.

OR

1. Start engine and warm it up to normal operating temperature.
2. Stop engine.
3. Lift up drive wheels.
4. Disconnect vacuum hose to EVAP canister purge control valve.
5. Install vacuum gauge and start engine and let it idle at least 60 seconds.
6. Check vacuum hose for vacuum when revving engine up to 2,000 rpm.
ON: Vacuum should exist.
OFF: Vacuum should not exist.

NG → CHECK COMPONENTS (EVAP canister purge control solenoid valve). Refer to "COMPONENTS INSPECTION" on next page.

OK ↓
Check vacuum hoses for improper connection, clogging or disconnection. Refer to Vacuum Hose Drawing", EC-13.

OK ↓
CHECK COMPONENT (EVAP canister vent control valve). Refer to "COMPONENTS INSPECTION", EC-404.

NG → Replace EVAP canister vent control valve and/or water separator.

B

CHECK IF EVAP CANISTER IS SATURATED WITH WATER.

1. Remove EVAP canister with vent control valve attached.
2. Check if water drains from the EVAP canister.
If it will, weigh the EVAP canister with the vent control valve attached.
If the weight is:
More than 1.8 kg (4.0 lb) → NG
Less than 1.8 kg (4.0 lb) → OK

NG → Check the following.
1. Visually check the EVAP canister for damage.
2. Check hose connection between EVAP canister and water separator for clogging and poor connection.
3. Check water separator. Refer to "COMPONENT INSPECTION", EC-404.
If NG, repair hose or replace EVAP canister or water separator.

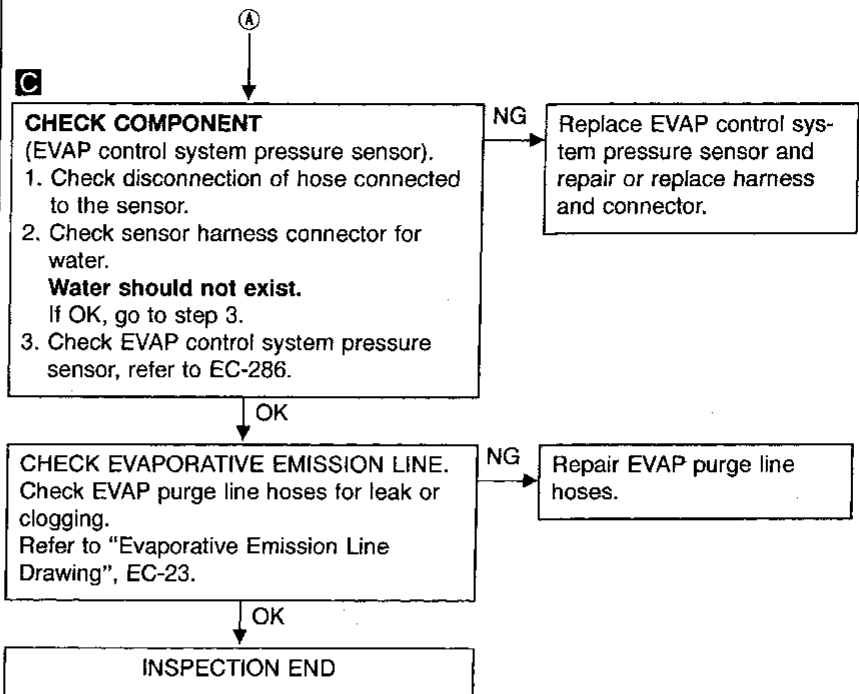
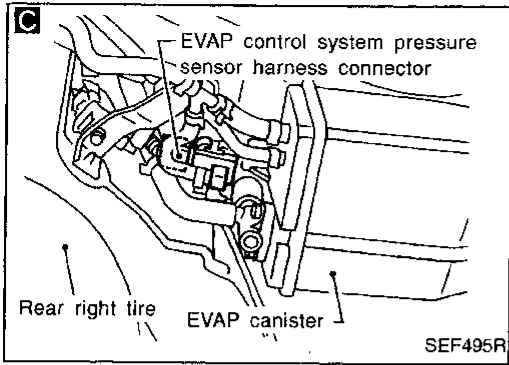
OK ↓
CHECK COMPONENT (EVAP canister purge control valve). Refer to "COMPONENT INSPECTION", EC-404.

NG → Replace EVAP canister purge control valve.

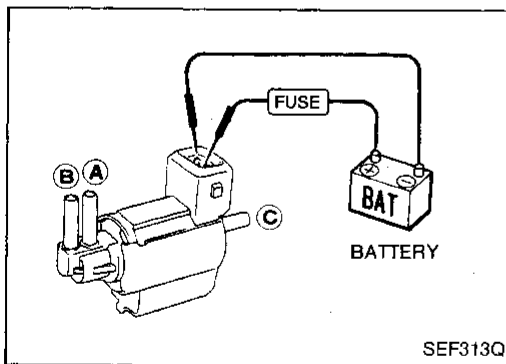
Ⓐ

TROUBLE DIAGNOSIS FOR DTC P1493

Evaporative Emission (EVAP) Canister Purge Control Valve/Solenoid Valve (Cont'd)



GI
MA
EM
LC
EC
FE
CL
MT
AT
PD
FA
RA
BR
ST
RS
BT
HA
EL
IDX



COMPONENT INSPECTION

EVAP canister purge control solenoid valve

Check air passage continuity.

Condition	Air passage continuity between Ⓐ and Ⓑ	Air passage continuity between Ⓐ and Ⓒ
12V direct current supply between terminals	Yes	No
No supply	No	Yes

If NG, replace solenoid valve.

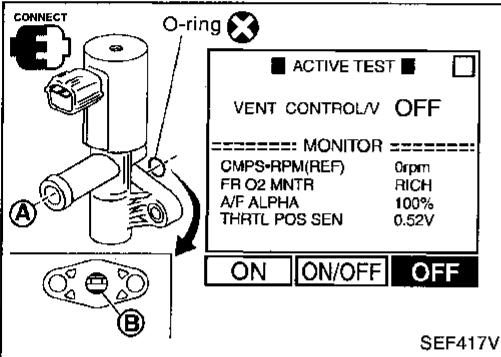
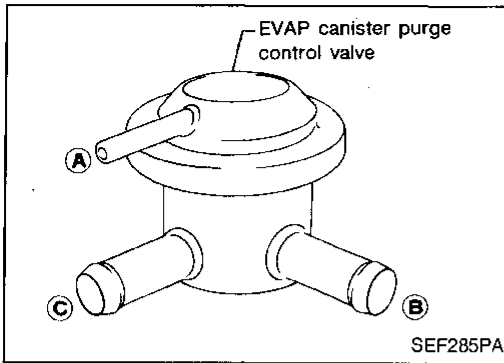
TROUBLE DIAGNOSIS FOR DTC P1493

Evaporative Emission (EVAP) Canister Purge Control Valve/Solenoid Valve (Cont'd)

EVAP canister purge control valve

Check EVAP canister purge control valve as follows.

1. Blow air in port (A), (B) and (C), then ensure that there is no leakage.
2. Apply vacuum to port (A). [Approximately -13.3 to -20.0 kPa (-100 to -150 mmHg, -3.94 to -5.91 inHg)]
Blow air in port (C) and ensure free flow out of port (B).



EVAP canister vent control valve

Check air passage continuity.

- Perform "VENT CONTROL/V" in "ACTIVE TEST" mode with CONSULT.

Condition	Air passage continuity between (A) and (B)
ON	No
OFF	Yes

OR

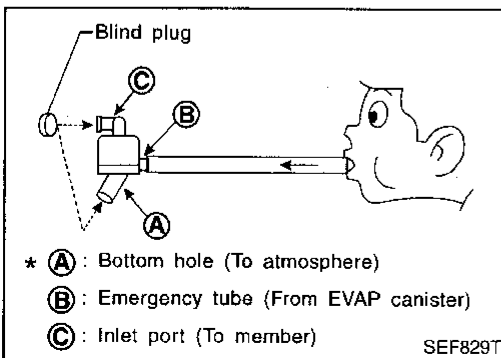
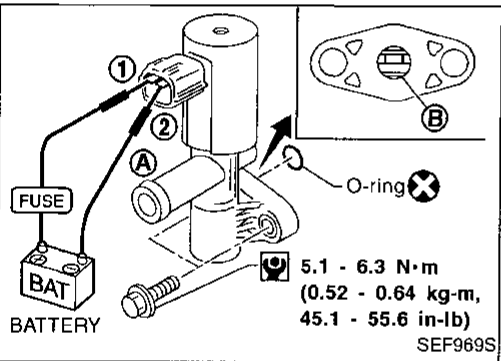


Condition	Air passage continuity between (A) and (B)
12V direct current supply between terminals ① and ②	No
No supply	Yes

If NG, clean valve using air blower or replace as necessary.

If the portion (B) is rusted, replace EVAP canister vent control valve.

Make sure new O-ring is installed properly.



Water separator

1. Check visually for insect's nest in the water separator air inlet.
2. Check visually for cracks or flaws in the appearance.
3. Check visually for cracks or flaws in the hose.
4. Check that (A) and (C) are not clogged by blowing air into (B) with (A), and then (C) plugged.
5. In case of NG in items 2 - 4, replace the parts.

NOTE:

Do not disassemble water separator.


TROUBLE DIAGNOSIS FOR DTC P1605

A/T Diagnosis Communication Line

COMPONENT DESCRIPTION

The malfunction information related to A/T (Automatic Transmission) is transferred through the line (circuit) from TCM (Transmission control module) to ECM. Therefore, be sure to erase the malfunction information such as DTC not only in TCM but also ECM after the A/T related repair.

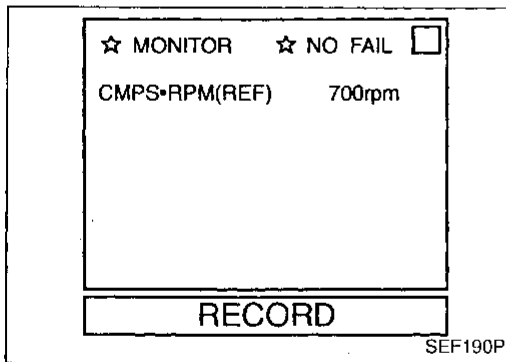
ECM TERMINALS AND REFERENCE VALUE

Specification data are reference values and are measured between each terminal and  (ECCS ground).

TER-MINAL NO.	WIRE COLOR	ITEM	CONDITION	DATA (DC Voltage)
7	R/B	A/T check signal	Ignition switch "ON" Engine is running.	1.0 - 8.0V

ON BOARD DIAGNOSIS LOGIC

Diagnostic Trouble Code No.	Malfunction is detected when ...	Check Items (Possible Cause)
P1605 0804	<ul style="list-style-type: none"> An incorrect signal from TCM (Transmission control module) is sent to ECM. 	<ul style="list-style-type: none"> Harness or connectors (The communication line circuit between ECM and TCM is open or shorted.) Dead (Weak) battery TCM



DIAGNOSTIC TROUBLE CODE CONFIRMATION PROCEDURE

NOTE:

If "DIAGNOSTIC TROUBLE CODE CONFIRMATION PROCEDURE" has been previously conducted, always turn ignition switch "OFF" and wait at least 5 seconds before conducting the next test.

TESTING CONDITION:

Before performing the following procedure, confirm that battery voltage is more than 10.5V.



- 1) Turn ignition switch "ON".
- 2) Select "DATA MONITOR" mode with CONSULT.
- 3) Start engine and wait at least 40 seconds.

OR



- 1) Turn ignition switch "ON".
- 2) Start engine and wait at least 40 seconds.
- 3) Select "MODE 7" with GST.

OR

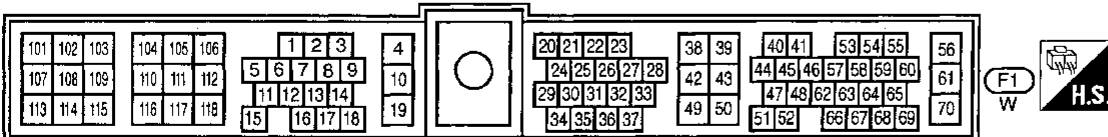
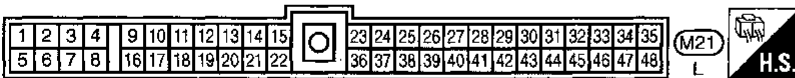
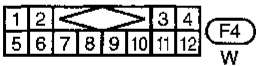
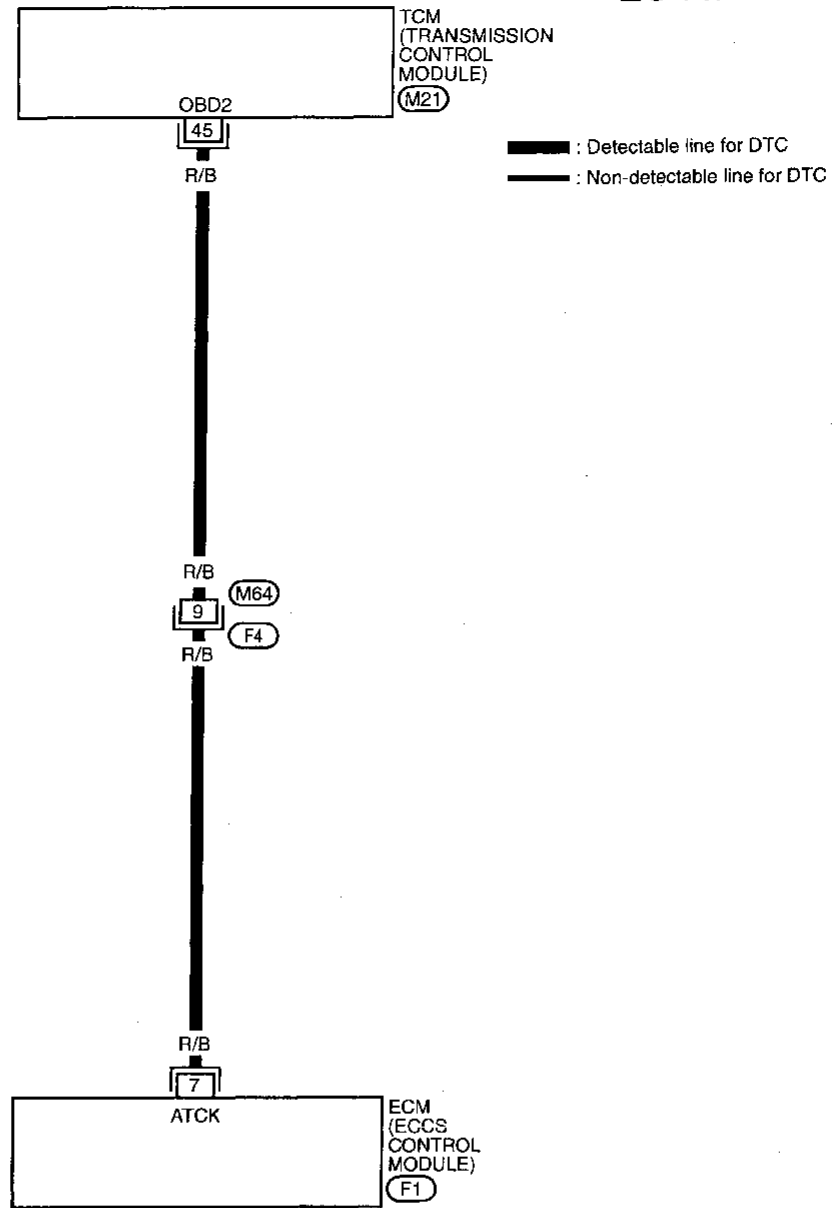


- 1) Turn ignition switch "ON".
- 2) Start engine and wait at least 40 seconds.
- 3) Turn ignition switch "OFF", wait at least 5 seconds and then turn "ON".
- 4) Perform "Diagnostic Test Mode II" (Self-diagnostic results) with ECM.

TROUBLE DIAGNOSIS FOR DTC P1605

A/T Diagnosis Communication Line (Cont'd)

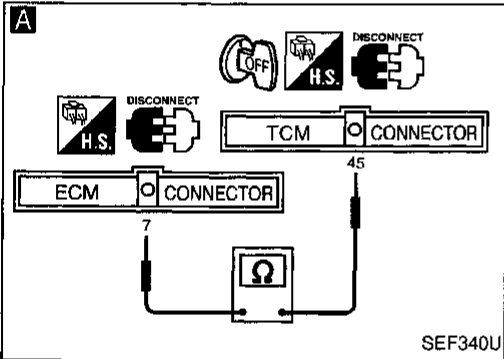
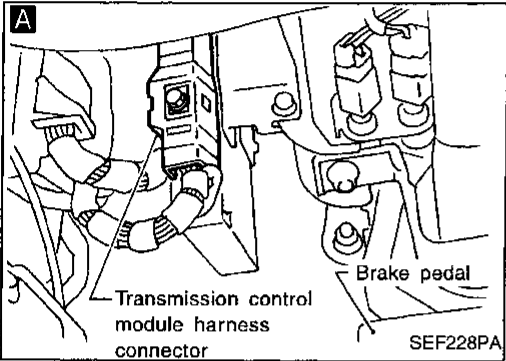
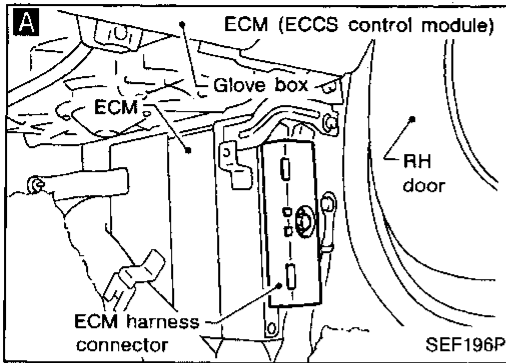
EC-ATDIAG-01



TROUBLE DIAGNOSIS FOR DTC P1605

A/T Diagnosis Communication Line (Cont'd)

DIAGNOSTIC PROCEDURE



INSPECTION START

A
CHECK INPUT SIGNAL CIRCUIT.
 1. Turn ignition switch "OFF".
 2. Disconnect ECM harness connector and TCM harness connector.
 3. Check harness continuity between ECM terminal ⑦ and TCM terminal ④.
Continuity should exist.
 If OK, check harness for short to ground and short to power.

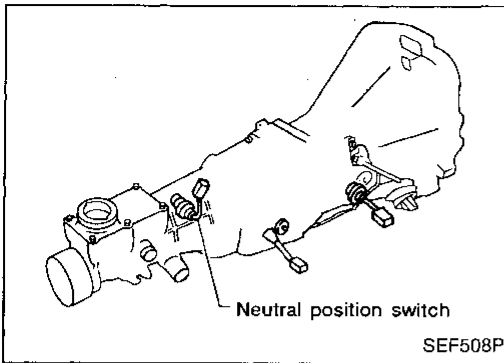
NG → Check the following.
 • Harness connectors
 • (F4), (M64)
 • Harness for open or short between ECM and TCM
 If NG, repair open circuit or short to ground or short to power in harness or connectors.

OK
 Perform "TROUBLE DIAGNOSIS FOR INTERMITTENT INCIDENT", EC-96.

INSPECTION END

GI
 MA
 EM
 LC
EC
 FE
 CL
 MT
 AT
 PD
 FA
 RA
 BR
 ST
 RS
 BT
 HA
 EL
 IDX

TROUBLE DIAGNOSIS FOR DTC P1706



Park/Neutral Position Switch

COMPONENT DESCRIPTION

When the gear position is "P" (A/T models only) or "N", park/neutral position switch is "ON".

ECM detects the park/neutral position when continuity with ground exists.

CONSULT REFERENCE VALUE IN DATA MONITOR MODE

Specification data are reference values.

MONITOR ITEM	CONDITION	SPECIFICATION
P/N POSI SW	● Ignition switch: ON	Shift lever: "P" or "N" ON
		Except above OFF

ECM TERMINALS AND REFERENCE VALUE

Specification data are reference values and are measured between each terminal and ④ (ECCS ground).

TER-MINAL NO.	WIRE COLOR	ITEM	CONDITION	DATA (DC Voltage)
22	G/OR (M/T models) R/G (A/T models)	Neutral position switch (M/T models) Inhibitor switch (A/T models)	Ignition switch "ON" └ Gear position is "Neutral position" (M/T models) └ Gear position is "N" or "P" (A/T models)	Approximately 0V
			Ignition switch "ON" └ Except the above gear position	Approximately 5V

ON BOARD DIAGNOSIS LOGIC

Diagnostic Trouble Code No.	Malfunction is detected when ...	Check Items (Possible Cause)
P1706 1003	<ul style="list-style-type: none"> The signal of the park/neutral position switch is not changed in the process of engine starting and driving. 	<ul style="list-style-type: none"> Harness or connectors <ol style="list-style-type: none"> (The neutral position switch or inhibitor switch circuit is open or shorted.) (The circuit between ECM and TCM is open or shorted.) Inhibitor switch TCM (Transmission control module)

TROUBLE DIAGNOSIS FOR DTC P1706

Park/Neutral Position Switch (Cont'd)

DIAGNOSTIC TROUBLE CODE CONFIRMATION PROCEDURE

CAUTION:

Always drive vehicle at a safe speed.

NOTE:

If "DIAGNOSTIC TROUBLE CODE CONFIRMATION PROCEDURE" has been previously conducted, always turn ignition switch "OFF" and wait at least 5 seconds before conducting the next test.



- 1) Turn ignition switch "ON".
- 2) Perform "PARK/NEUT POSI SW CKT" in "FUNCTION TEST" mode with CONSULT.

OR

- 2) Select "P/N POSI SW" in "DATA MONITOR" mode with CONSULT. Then check the "P/N POSI SW" signal under the following conditions.

Position (Selector lever)	Known good signal
"N" and "P" (A/T only) position	ON
Except the above position	OFF

If NG, go to "DIAGNOSTIC PROCEDURE", EC-411.
If OK, go to following step.

- 3) Select "DATA MONITOR" mode with CONSULT.
- 4) Start engine and warm it up to normal operating temperature.
- 5) Maintain the following conditions for at least 60 consecutive seconds.

CMPS·RPM (REF): 2,000 - 2,800 rpm
COOLAN TEMP/S: More than 70°C (158°F)
B/FUEL SCHDL: 1 - 4 ms
VHCL SPEED SE: 70 - 100 km/h (43 - 62 MPH)
Selector lever: Suitable position

OR

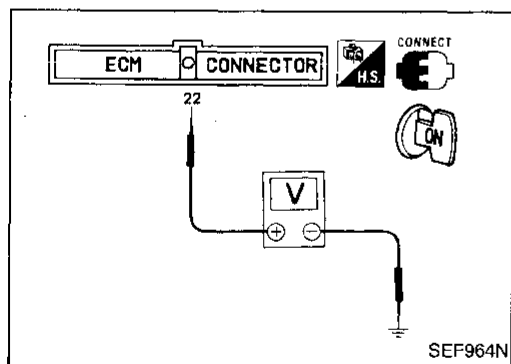
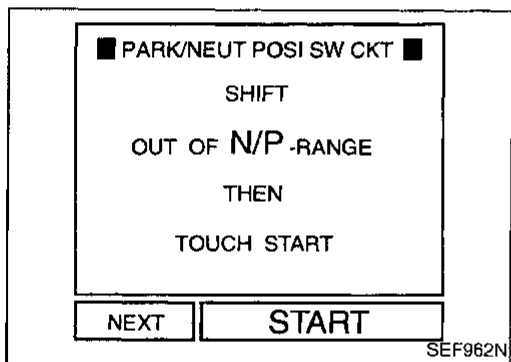
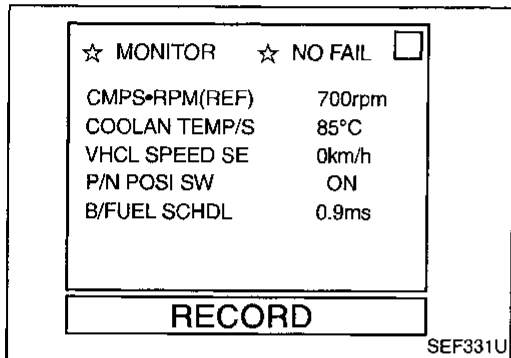
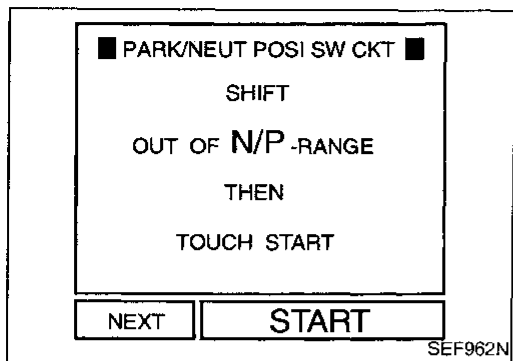
OVERALL FUNCTION CHECK

Use this procedure to check the overall function of the park/neutral position switch circuit. During this check, a 1st trip DTC might not be confirmed.



- 1) Turn ignition switch "ON".
- 2) Check voltage between ECM terminal ② and body ground under the following conditions.

Condition (Gear position)	Voltage (V) (Known good data)
"P" (A/T only) and "N" position	Approx. 0
Except the above position	Approx. 5



GI
MA
EM
LC
EC
FE
CL
MT
AT
PD
FA
RA
BR
ST
RS
BT
HA
EL
IDX

TROUBLE DIAGNOSIS FOR DTC P1706

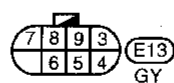
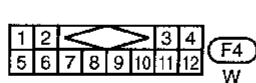
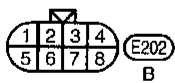
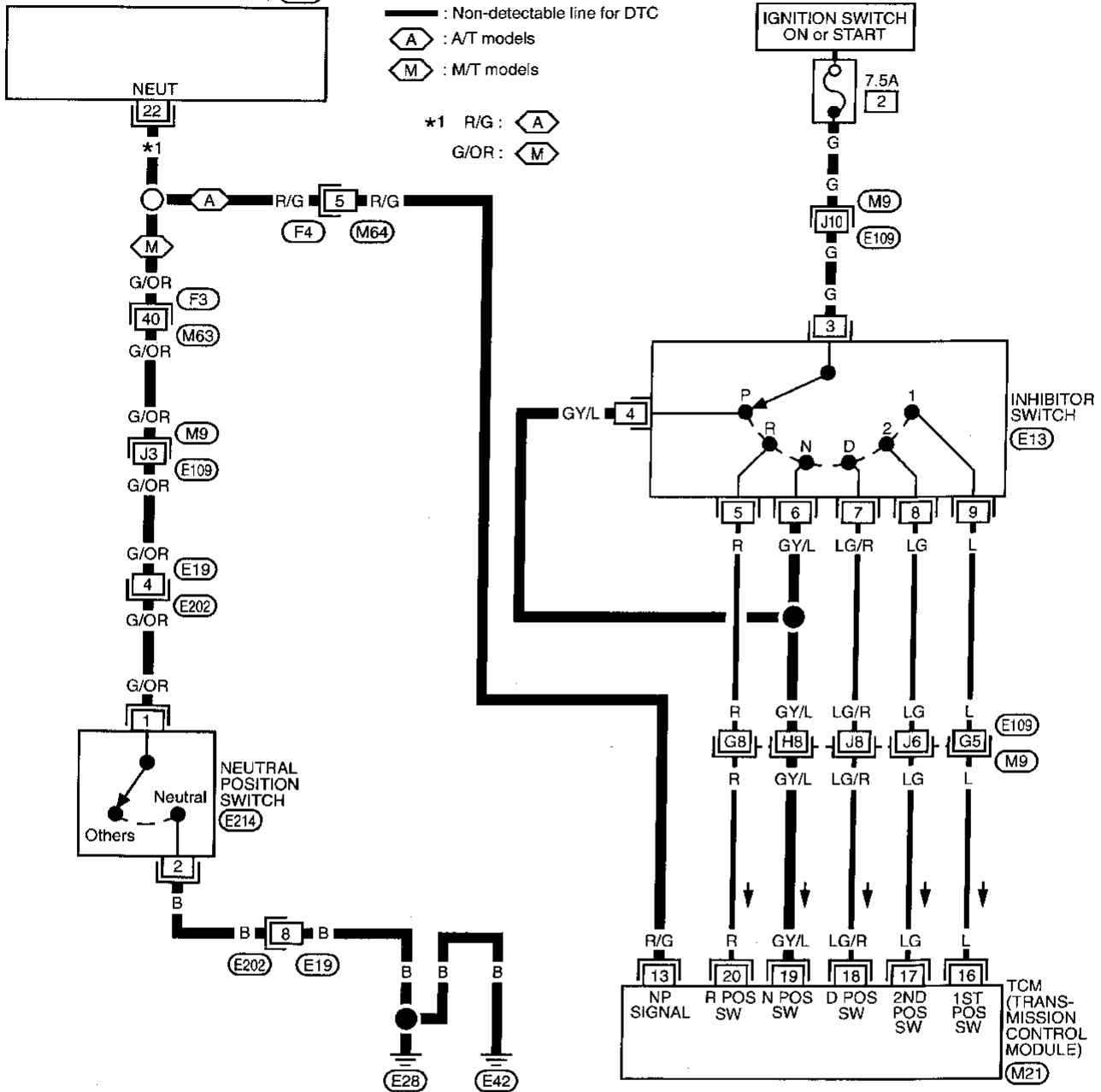
Park/Neutral Position Switch (Cont'd)

EC-PNP/SW-01

ECM (ECSCS CONTROL MODULE) (F1)

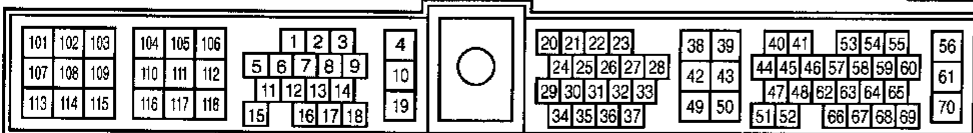
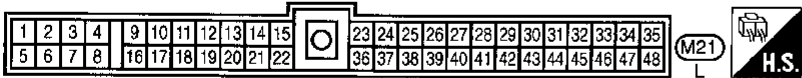
- : Detectable line for DTC
- : Non-detectable line for DTC
- A** : A/T models
- M** : M/T models

- *1 R/G : **A**
- G/OR : **M**



Refer to last page (Foldout page).

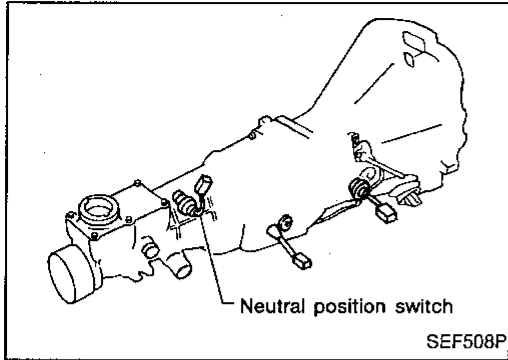
- M63** , **F3**
- E109** , **M9**



TROUBLE DIAGNOSIS FOR DTC P1706

Park/Neutral Position Switch (Cont'd)

DIAGNOSTIC PROCEDURE

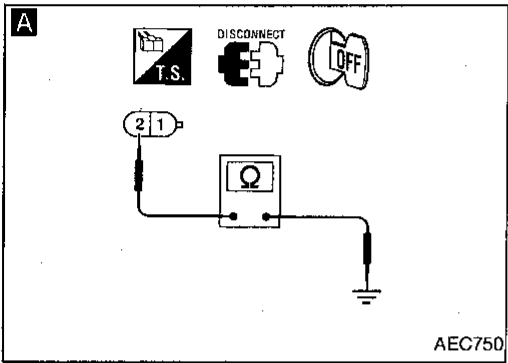


Neutral position switch (M/T models)

INSPECTION START

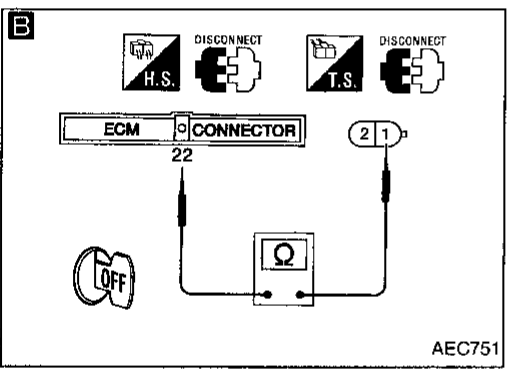
A
CHECK GROUND CIRCUIT.
 1. Disconnect neutral position switch harness connector.
 2. Check harness continuity between terminal ② and body ground.
Continuity should exist.
 If OK, check harness for short to ground and short to power.

NG
 Check the following.
 • Harness connectors
 (E202), (E19)
 • Harness for open or short between neutral position switch and body ground
 If NG, repair open circuit or short to ground or short to power in harness or connectors.



B
CHECK INPUT SIGNAL CIRCUIT.
 1. Disconnect ECM harness connector.
 2. Check harness continuity between ECM terminal ② and terminal ①.
Continuity should exist.
 If OK, check harness for short to ground and short to power.

NG
 Check the following.
 • Harness connectors
 (F3), (M63)
 • Harness connectors
 (M9), (E109)
 • Harness connectors
 (E19), (E202)
 • Harness for open or short between ECM and neutral position switch
 If NG, repair open circuit or short to ground or short to power in harness or connectors.



CHECK COMPONENT
 (Neutral position switch).
 Refer to MT section

NG
 Replace neutral position switch.

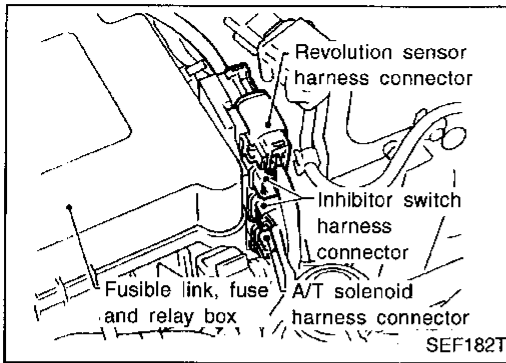
OK
 Perform "TROUBLE DIAGNOSIS FOR INTERMITTENT INCIDENT", EC-96.

INSPECTION END

GI
 MA
 EM
 LC
EC
 FE
 CL
 MT
 AT
 PD
 FA
 RA
 BR
 ST
 RS
 BT
 HA
 EL
 IDX

TROUBLE DIAGNOSIS FOR DTC P1706

Park/Neutral Position Switch (Cont'd)



Inhibitor switch (A/T models)

INSPECTION START

A

CHECK POWER SUPPLY.

1. Disconnect inhibitor switch harness connector.
2. Turn ignition switch "ON".
3. Check voltage between terminal ③ and ground with CONSULT or tester.
Voltage: Battery voltage

NG

Check the following.

- Harness connector (M9), (E109)
- 7.5A fuse
- Harness for open or short between inhibitor switch and fuse

If NG, repair harness or connectors.

OK

B

CHECK INPUT SIGNAL CIRCUIT-I.

1. Turn ignition switch "OFF".
 2. Disconnect TCM harness connector.
 3. Check harness continuity between TCM terminal ⑭ and terminals ④, ⑥.
Continuity should exist.
- If OK, check harness for short to ground and short to power.

NG

Check the following.

- Harness connectors (E109), (M9)
- Harness for open or short between inhibitor switch and TCM

If NG, repair open circuit or short to ground or short to power in harness or connectors.

OK

C

CHECK INPUT SIGNAL CIRCUIT-II.

1. Disconnect ECM harness connector.
 2. Check harness continuity between ECM terminal ⑳ and TCM terminal ⑬.
Continuity should exist.
- If OK, check harness for short to ground and short to power.

NG

Check the following.

- Harness for open or short between ECM and TCM
- If NG, repair open circuit or short to ground or short to power in harness or connectors.

OK

CHECK COMPONENT

(Inhibitor switch).
Refer to AT section.

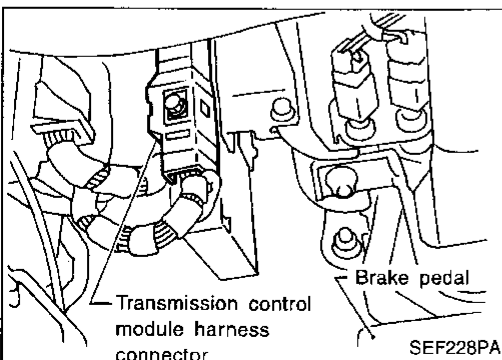
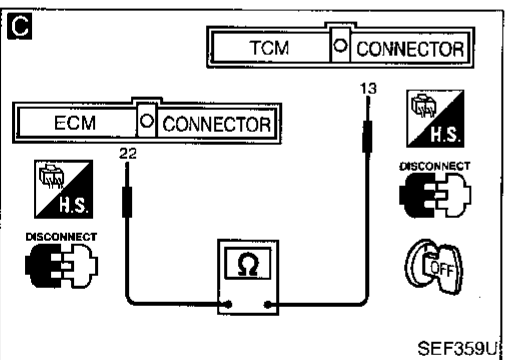
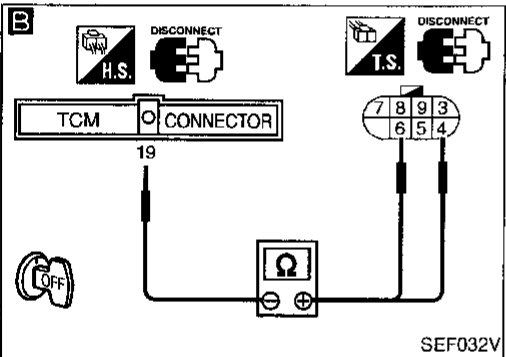
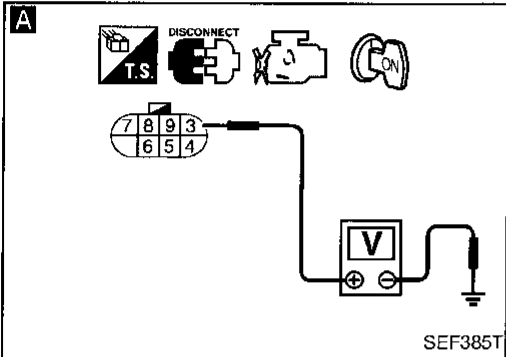
NG

Replace inhibitor switch.

OK

Perform "TROUBLE DIAGNOSIS FOR INTERMITTENT INCIDENT", EC-96.

INSPECTION END

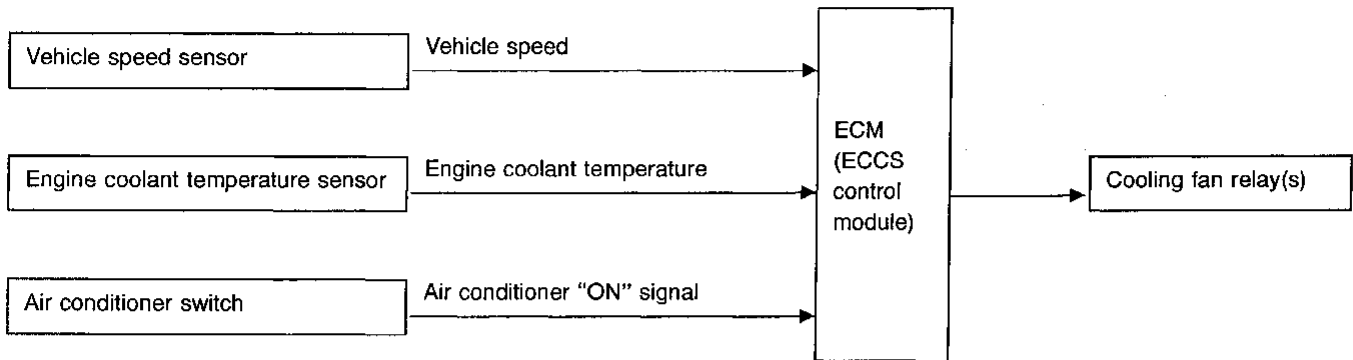


TROUBLE DIAGNOSIS FOR OVERHEAT

Overheat

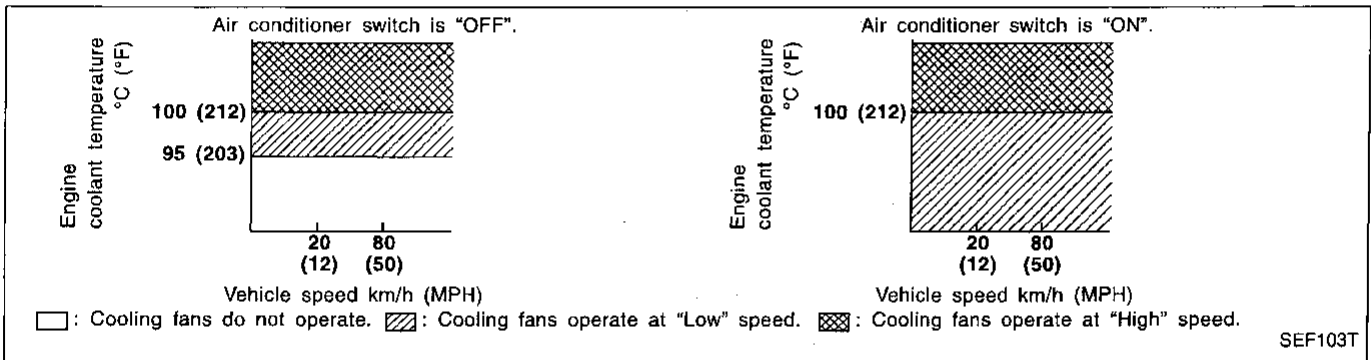
SYSTEM DESCRIPTION

Cooling fan control



The ECM controls the cooling fan corresponding to the vehicle speed, engine coolant temperature and air conditioner ON signal. The control system has 3-step control [HIGH/LOW/OFF].

Operation



CONSULT REFERENCE VALUE IN DATA MONITOR MODE

Specification data are reference values.

MONITOR ITEM	CONDITION	SPECIFICATION
COOLING FAN	<ul style="list-style-type: none"> Engine: Idling, after warming up Air conditioner switch "OFF" Vehicle speed 	Engine coolant temperature is 94°C (201°F) or less. OFF
		Engine coolant temperature is between 95°C (203°F) and 99°C (210°F). LOW
		Engine coolant temperature is 100°C (212°F) or more. HI

TROUBLE DIAGNOSIS FOR OVERHEAT

Overheat (Cont'd)

ECM TERMINALS AND REFERENCE VALUE

Specification data are reference values and are measured between each terminal and Ⓞ (ECCS ground).

TER-MINAL NO.	WIRE COLOR	ITEM	CONDITION	DATA (DC Voltage)
13	OR/L	Cooling fan relay (High)	Engine is running. └ Cooling fan is not operating.	BATTERY VOLTAGE (11 - 14V)
			Engine is running. └ Cooling fan (High) is operating.	0.07 - 0.30V
14	L/G	Cooling fan relay (Low)	Engine is running. └ Cooling fan is not operating.	BATTERY VOLTAGE (11 - 14V)
			Engine is running. └ Cooling fan (Low) is operating.	0.07 - 0.30V

ON BOARD DIAGNOSIS LOGIC

If the cooling fan or another component in the cooling system malfunctions, the engine coolant temperature will rise.

When the engine coolant temperature reaches an abnormally high temperature condition, a malfunction is indicated.

Diagnostic trouble code No.	Malfunction is detected when ...	Check Items (Possible Cause)
0208	<ul style="list-style-type: none"> Engine coolant temperature reaches an abnormally high temperature. 	<ul style="list-style-type: none"> Harness or connectors (The cooling fan circuit is open or shorted.) Cooling fan Radiator hose Radiator Radiator cap Water pump Thermostat <p>For more information, refer to "MAIN 12 CAUSES OF OVERHEATING", EC-423.</p>

CAUTION:

When a malfunction is indicated, be sure to replace the coolant following the procedure in the MA section ("Changing Engine Coolant", "ENGINE MAINTENANCE"). Also, replace the engine oil.

- a. Fill radiator with coolant up to specified level with a filling speed of 2 liters per minute like pouring coolant by kettle. Be sure to use coolant with the proper mixture ratio. Refer to MA section ("Anti-freeze Coolant Mixture Ratio", "RECOMMENDED FLUIDS AND LUBRICANTS").
- b. After refilling coolant, run engine to ensure that no water-flow noise is emitted.

TROUBLE DIAGNOSIS FOR OVERHEAT

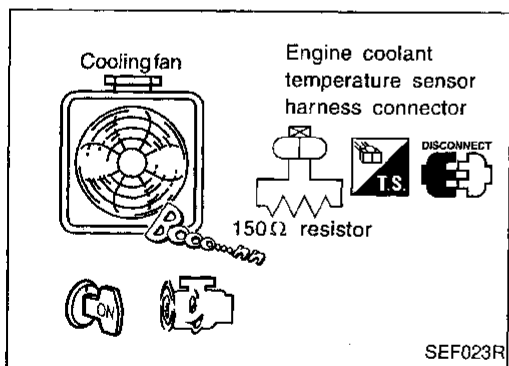
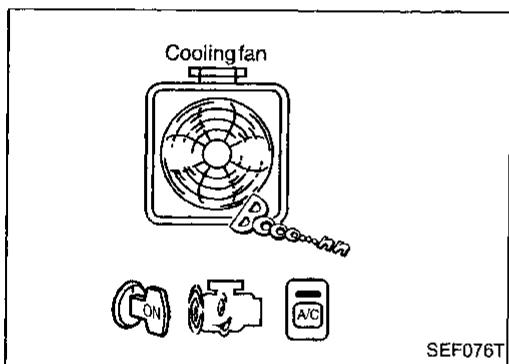
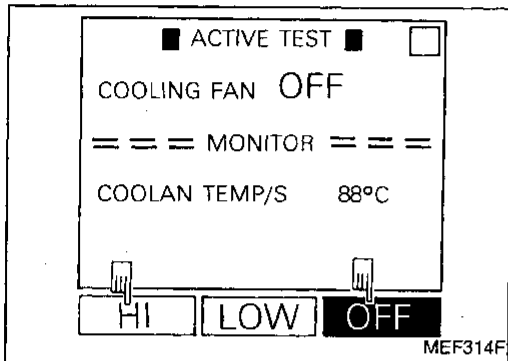
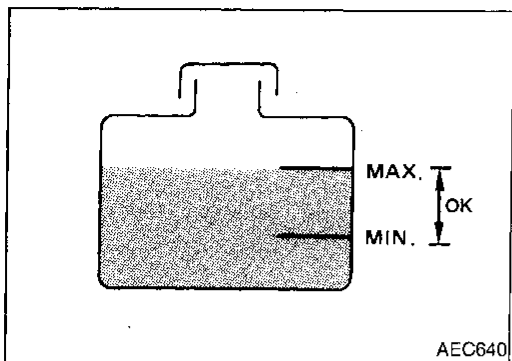
Overheat (Cont'd)

OVERALL FUNCTION CHECK

WARNING:

Never remove the radiator cap when the engine is hot. Serious burns could be caused by high pressure fluid escaping from the radiator.

Wrap a thick cloth around cap. Carefully remove the cap by turning it a quarter turn to allow built-up pressure to escape. Then turn the cap all the way off.



- 1) Check the coolant level in the reservoir tank and radiator.
Allow engine to cool before checking coolant level.
If the coolant level in the reservoir tank and/or radiator is below the proper range, skip the following steps and go to "DIAGNOSTIC PROCEDURE", EC-417.
- 2) Confirm whether customer filled the coolant or not. If customer filled the coolant, skip the following steps and go to "DIAGNOSTIC PROCEDURE", EC-417.



- 3) Turn ignition switch "ON".
- 4) Perform "COOLING FAN" in "ACTIVE TEST" mode with CONSULT (LOW speed and HI speed).

OR



- 3) Start engine.
Be careful not to overheat engine.
- 4) Set temperature control lever to full cold position.
- 5) Turn air conditioner switch "ON".
- 6) Turn blower fan switch "ON".
- 7) Run engine at idle for a few minutes with air conditioner operating.
Be careful not to overheat engine.
- 8) Make sure that cooling fan operates at low speed.
- 9) Turn ignition switch "OFF".
- 10) Turn air conditioner switch and blower fan switch "OFF".
- 11) Disconnect engine coolant temperature sensor harness connector.
- 12) Connect 150Ω resistor to engine coolant temperature sensor harness connector.
- 13) Restart engine and make sure that cooling fan operates at higher speed than low speed.
Be careful not to overheat engine.

GI

MA

EM

LC

EC

FE

CL

MT

AT

PD

FA

RA

BR

ST

RS

BT

HA

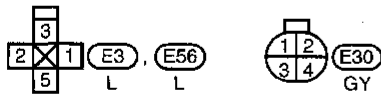
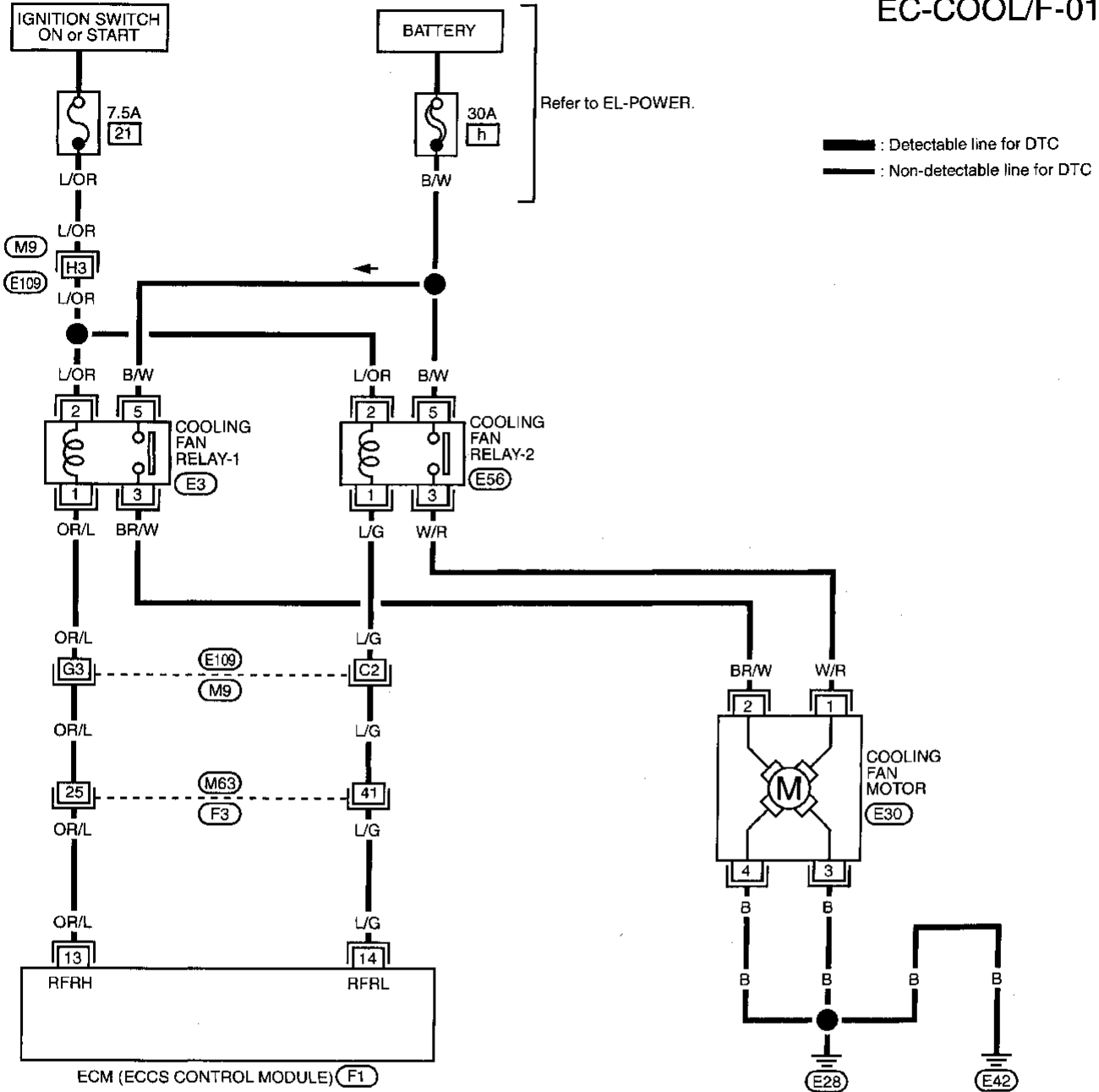
EL

IDX

TROUBLE DIAGNOSIS FOR OVERHEAT

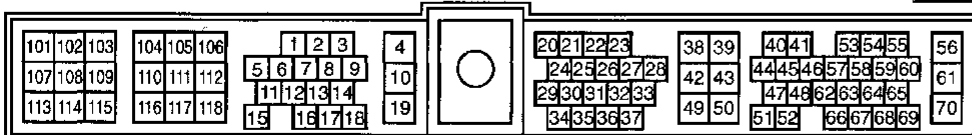
Overheat (Cont'd)

EC-COOL/F-01



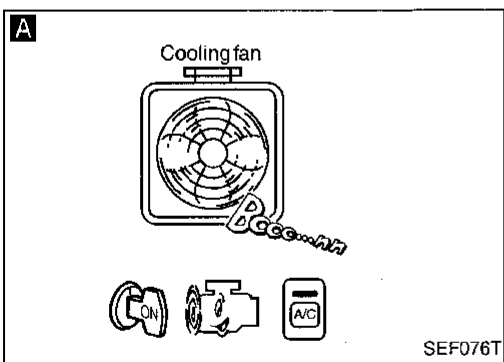
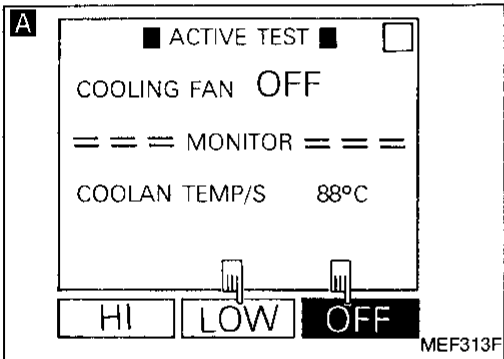
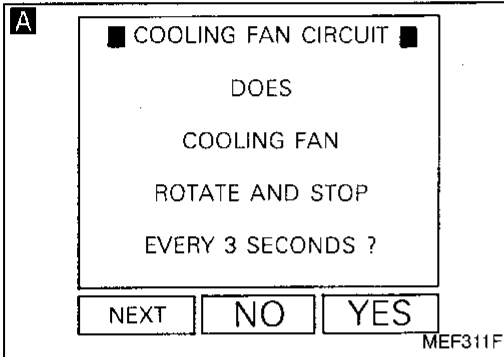
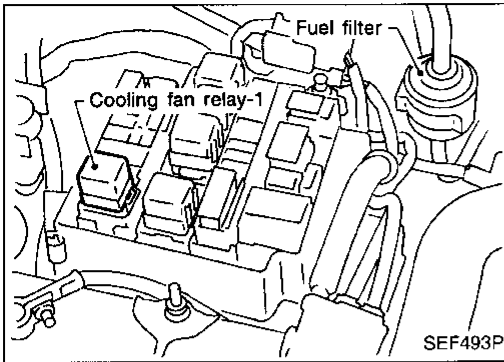
Refer to last page (Foldout page).

- (E109) , (M9)
- (M63) , (F3)



TROUBLE DIAGNOSIS FOR OVERHEAT

Overheat (Cont'd) DIAGNOSTIC PROCEDURE



INSPECTION START

- A**
- CHECK COOLING FAN LOW SPEED OPERATION.**
1. Disconnect cooling fan relay-1.
 2. Turn ignition switch "ON".
 3. Perform "COOLING FAN CIRCUIT" in "FUNCTION TEST" mode with CONSULT.
- OR
2. Turn ignition switch "ON".
 3. Perform "COOLING FAN" in "ACTIVE TEST" mode with CONSULT.
- OR
2. Start engine.
 3. Set temperature lever at full cold position.
 4. Turn air conditioner switch "ON".
 5. Turn blower fan switch "ON".
 6. Run engine at idle for a few minutes with air conditioner operating.
 7. Make sure that cooling fan operates at low speed.

NG

Check cooling fan low speed control circuit. (Go to PROCEDURE A, EC-419.)

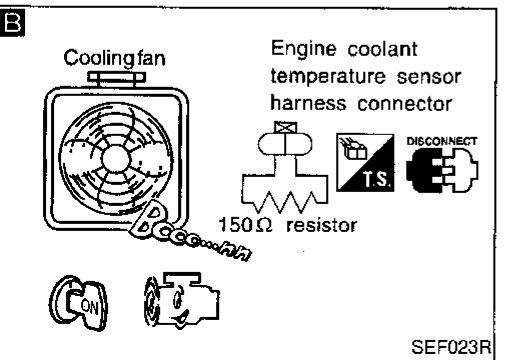
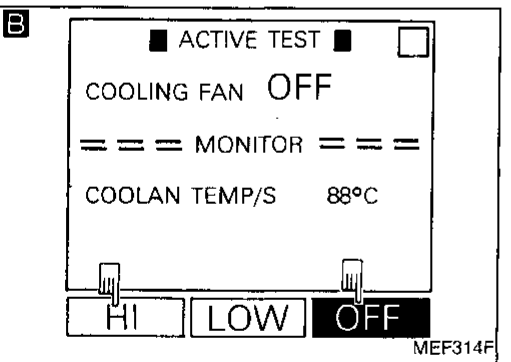
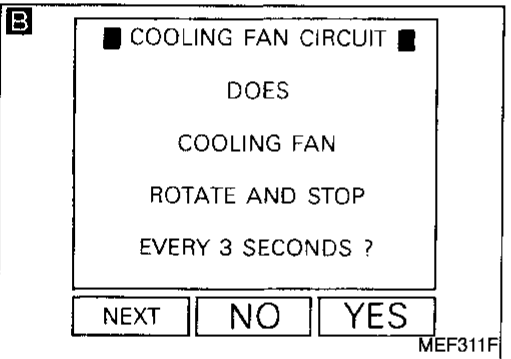
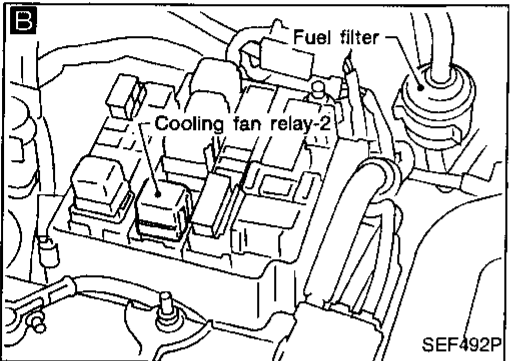
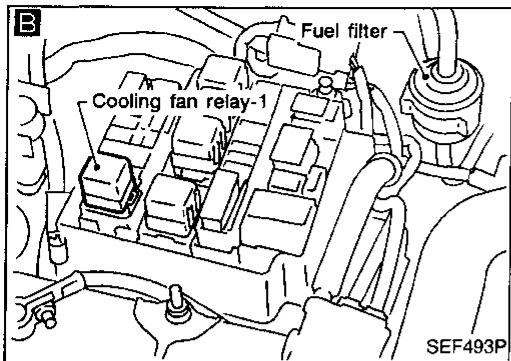
OK

(Go to next page.)

GI
MA
EM
LC
EC
FE
CL
MT
AT
PD
FA
RA
BR
ST
RS
BT
HA
EL
IDX

TROUBLE DIAGNOSIS FOR OVERHEAT

Overheat (Cont'd)



B

CHECK COOLING FAN HIGH SPEED OPERATION.

1. Turn ignition switch "OFF".
2. Reconnect cooling fan relay-1.
3. Disconnect cooling fan relay-2.
4. Turn ignition switch "ON".
5. Perform "COOLING FAN CIRCUIT" in "FUNCTION TEST" mode with CONSULT.

OR

4. Turn ignition switch "ON".
5. Perform "COOLING FAN" in "ACTIVE TEST" mode with CONSULT.

OR

4. Turn air conditioner switch and blower fan switch "OFF".
5. Disconnect engine coolant temperature sensor harness connector.
6. Connect 150Ω resistor to engine coolant temperature sensor harness connector.
7. Restart engine and make sure that cooling fan operates at higher speed than low speed.

NG → Check cooling fan high speed control circuit. (Go to PROCEDURE B, EC-420.)

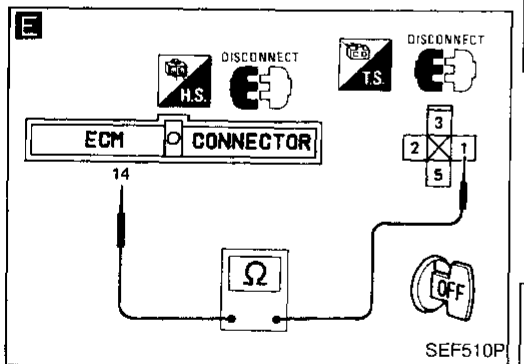
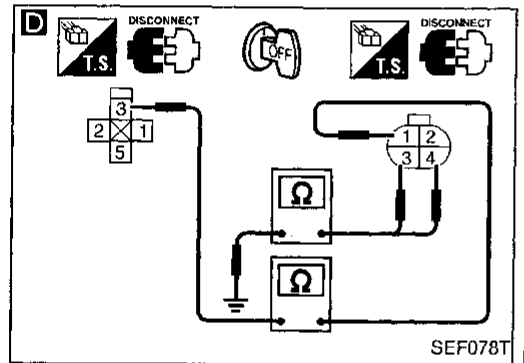
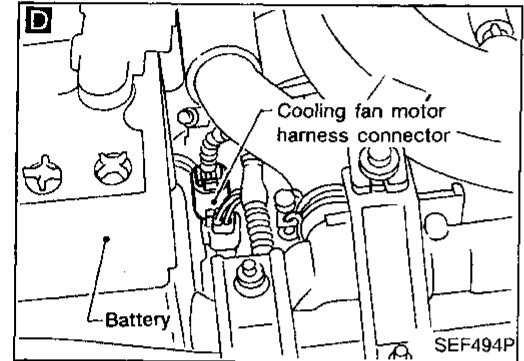
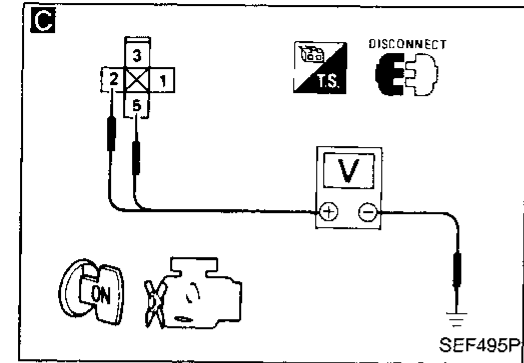
OK

B

(Go to EC-422.)

TROUBLE DIAGNOSIS FOR OVERHEAT

Overheat (Cont'd)



PROCEDURE A

INSPECTION START

C
CHECK POWER SUPPLY.
 1. Turn ignition switch "OFF".
 2. Disconnect cooling fan relay-2.
 3. Turn ignition switch "ON".
 4. Check voltage between terminals ②, ⑤ and ground with CONSULT or tester.
Voltage: Battery voltage

NG → Check the following.
 • Harness connectors
 • (M9), (E109)
 • 7.5A fuse
 • 30A fusible links
 • Harness for open or short between cooling fan relay-2 and fuse
 • Harness for open or short between cooling fan relay-2 and battery
 If NG, repair harness or connectors.

D
CHECK GROUND CIRCUIT.
 1. Turn ignition switch "OFF".
 2. Disconnect cooling fan motor harness connector.
 3. Check harness continuity between terminal ③ and terminal ①.
Continuity should exist.
 If OK, check harness for short.
 4. Check harness continuity between terminals ③, ④ and body ground.
Continuity should exist.
 If OK, check harness for short.

NG → Repair harness or connectors.

E
CHECK OUTPUT SIGNAL CIRCUIT.
 1. Disconnect ECM harness connector.
 2. Check harness continuity between ECM terminal ⑭ and terminal ①.
Continuity should exist.

NG → Check the following.
 • Harness connectors
 • (E109), (M9)
 • Harness connectors
 • (M63), (F3)
 • Harness for open or short between cooling fan relay-2 and ECM
 If NG, repair open circuit or short to ground or short to power in harness or connectors.

CHECK COMPONENT
 (Cooling fan relay-2).
 Refer to "COMPONENT INSPECTION", EC-424.

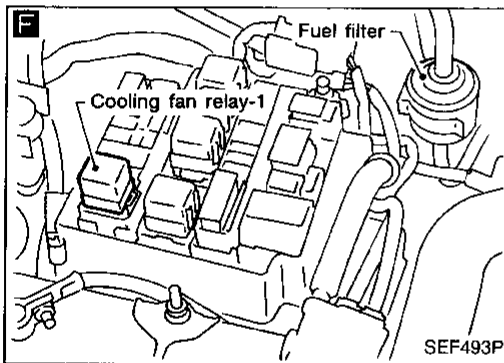
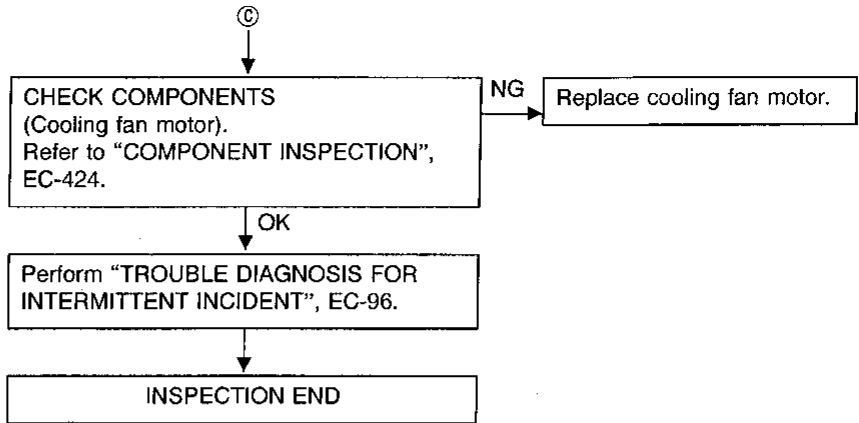
NG → Replace cooling fan relay.

OK
 (Go to © on next page.)

GI
 MA
 EM
 LC
EC
 FE
 CL
 MT
 AT
 PD
 FA
 RA
 BR
 ST
 RS
 BT
 HA
 EL
 IDX

TROUBLE DIAGNOSIS FOR OVERHEAT

Overheat (Cont'd)



PROCEDURE B

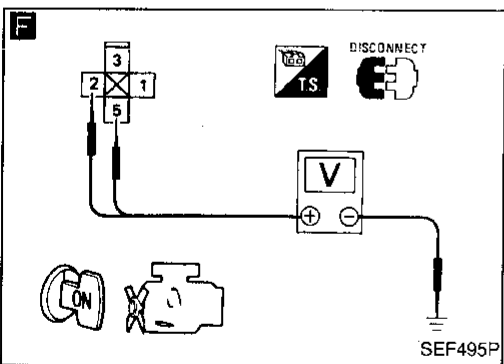
INSPECTION START

ⓑ

CHECK POWER SUPPLY.

1. Turn ignition switch "OFF".
2. Disconnect cooling fan relay-1.
3. Turn ignition switch "ON".
4. Check voltage between cooling fan relay-1 terminals ②, ⑤ and ground with CONSULT or tester.

Voltage: Battery voltage



- NG
- Check the following.
- Harness connectors (M9), (E109)
 - 7.5A fuse
 - 30A fuse
 - Harness for open or short between cooling fan relay-1 and fuse
 - Harness for open or short between cooling fan relay-1 and battery
- If NG, repair harness or connectors.

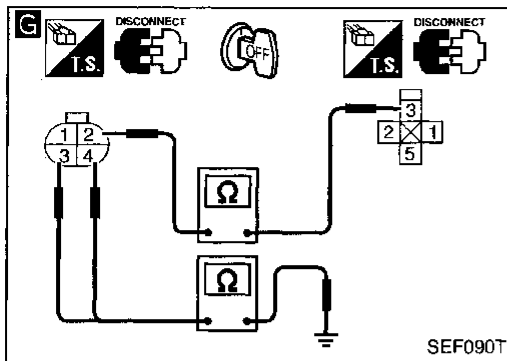
OK

ⓓ

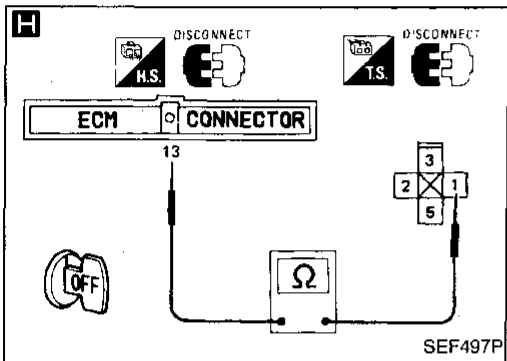
(Go to next page.)

TROUBLE DIAGNOSIS FOR OVERHEAT

Overheat (Cont'd)



SEF090T



SEF497P

G

CHECK GROUND CIRCUIT.

1. Turn ignition switch "OFF".
2. Disconnect cooling fan motor harness connector.
3. Check harness continuity between terminal ③ and terminal ② .
Continuity should exist.
If OK, check harness for short.
4. Check harness continuity between terminals ③ , ④ and body ground.
Continuity should exist.
If OK, check harness for short.

NG → Repair harness or connectors.

H

CHECK OUTPUT SIGNAL CIRCUIT.

1. Disconnect ECM harness connector.
2. Check harness continuity between ECM terminal ⑬ and terminal ① .
Continuity should exist.

NG → Check the following.

- Harness connectors (E109) , (M9)
- Harness connectors (M63) , (F3)
- Harness for open or short between cooling fan relay-1 and ECM

If NG, repair open circuit or short to ground or short to power in harness or connectors.

CHECK COMPONENTS
(Cooling fan relay-1).
Refer to "COMPONENT INSPECTION", EC-424.

NG → Replace cooling fan relay.

CHECK COMPONENTS
(Cooling fan motor).
Refer to "COMPONENT INSPECTION", EC-424.

NG → Replace cooling fan motor.

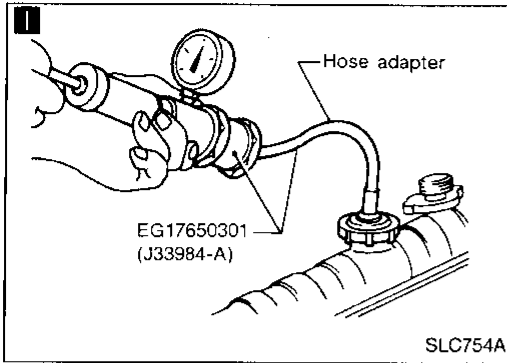
Perform "TROUBLE DIAGNOSIS FOR INTERMITTENT INCIDENT", EC-96.

INSPECTION END

GI
MA
EM
LC
EC
FE
CL
MT
AT
PD
FA
RA
BR
ST
RS
BT
HA
EL
IDX

TROUBLE DIAGNOSIS FOR OVERHEAT

Overheat (Cont'd)



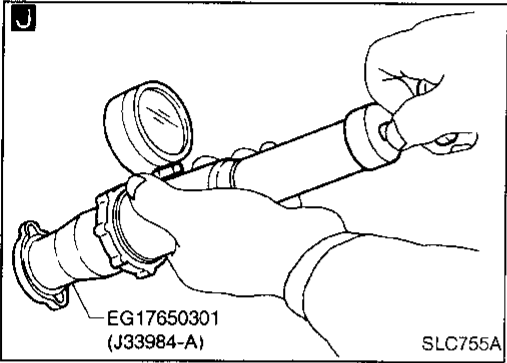
I

CHECK COOLING SYSTEM FOR LEAK.
Apply pressure to the cooling system with a tester, and check if the pressure drops.
Testing pressure:
157 kPa (1.6 kg/cm², 23 psi)
Pressure should not drop.
CAUTION:
Higher than the specified pressure may cause radiator damage.

NG → Check the following for leak.

- Hose
- Radiator
- Water pump

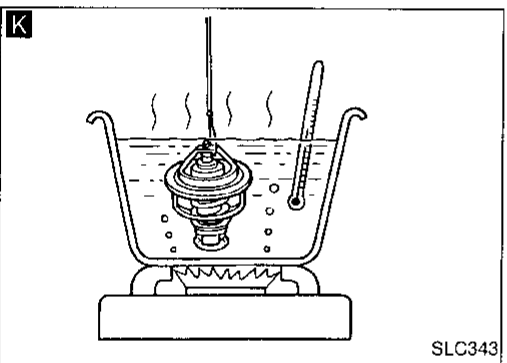
Refer to LC section ("Water Pump").



J

CHECK RADIATOR CAP.
Apply pressure to cap with a tester.
Radiator cap relief pressure:
78 - 98 kPa (0.8 - 1.0 kg/cm², 11 - 14 psi)

NG → Replace radiator cap.



K

CHECK THERMOSTAT.

1. Check valve seating condition at normal room temperatures. It should seat tightly.
2. Check valve opening temperature and valve lift.
Valve opening temperature:
76.5°C (170°F) [standard]
Valve lift:
More than 10 mm/90°C (0.39 in/194°F)
3. Check if valve is closed at 5°C (9°F) below valve opening temperature. For details, refer to LC section ("Thermostat").

NG → Replace thermostat

OK →

Check engine coolant temperature sensor. Refer to "COMPONENT INSPECTION", EC-129.

NG → Replace engine coolant temperature sensor.

If the cause can not be isolated, go to "MAIN 12 CAUSES OF OVERHEATING" on next page.

INSPECTION END

TROUBLE DIAGNOSIS FOR OVERHEAT

Overheat (Cont'd)

MAIN 12 CAUSES OF OVERHEATING

Engine	Step	Inspection item	Equipment	Standard	Reference page
OFF	1	<ul style="list-style-type: none"> Blocked radiator Blocked condenser Blocked radiator grille Blocked bumper 	<ul style="list-style-type: none"> Visual 	No blocking	—
	2	<ul style="list-style-type: none"> Coolant mixture 	<ul style="list-style-type: none"> Coolant tester 	50 - 50% coolant mixture	See "RECOMMENDED FLUIDS AND LUBRICANTS" in MA section.
	3	<ul style="list-style-type: none"> Coolant level 	<ul style="list-style-type: none"> Visual 	Coolant up to MAX level in reservoir tank and radiator filler neck	See "Changing Engine Coolant", "ENGINE MAINTENANCE" in MA section.
	4	<ul style="list-style-type: none"> Radiator cap 	<ul style="list-style-type: none"> Pressure tester 	78 - 98 kPa (0.8 - 1.0 kg/cm ² , 11 - 14 psi) 59 - 98 kPa (0.6 - 1.0 kg/cm ² , 9 - 14 psi) (Limit)	See "System Check", "ENGINE COOLING SYSTEM" in LC section.
ON* ²	5	<ul style="list-style-type: none"> Coolant leaks 	<ul style="list-style-type: none"> Visual 	No leaks	See "System Check", "ENGINE COOLING SYSTEM" in LC section.
ON* ²	6	<ul style="list-style-type: none"> Thermostat 	<ul style="list-style-type: none"> Touch the upper and lower radiator hoses 	Both hoses should be hot	See "Thermostat" and "Radiator", "ENGINE COOLING SYSTEM" in LC section.
ON* ¹	7	<ul style="list-style-type: none"> Cooling fan 	<ul style="list-style-type: none"> CONSULT 	Operating	See "TROUBLE DIAGNOSIS FOR NON-DETECTABLE ITEMS (Cooling Fan)" (EC-413).
OFF	8	<ul style="list-style-type: none"> Combustion gas leak 	<ul style="list-style-type: none"> Color checker chemical tester 4 Gas analyzer 	Negative	—
ON* ³	9	<ul style="list-style-type: none"> Coolant temperature gauge 	<ul style="list-style-type: none"> Visual 	Gauge less than 3/4 when driving	—
		<ul style="list-style-type: none"> Coolant overflow to reservoir tank 	<ul style="list-style-type: none"> Visual 	No overflow during driving and idling	See "Changing Engine Coolant", "ENGINE MAINTENANCE" in MA section.
OFF* ⁴	10	<ul style="list-style-type: none"> Coolant return from reservoir tank to radiator 	<ul style="list-style-type: none"> Visual 	Should be initial level in reservoir tank	See "ENGINE MAINTENANCE" in MA section.
OFF	11	<ul style="list-style-type: none"> Cylinder head 	<ul style="list-style-type: none"> Straight gauge feeler gauge 	0.1 mm (0.004 in) Maximum distortion (warping)	See "Inspection", "CYLINDER HEAD" in EM section.
	12	<ul style="list-style-type: none"> Cylinder block and pistons 	<ul style="list-style-type: none"> Visual 	No scuffing on cylinder walls or piston	See "Inspection", "CYLINDER BLOCK" in EM section.

*1: Turn the ignition switch ON.

*2: Engine running at 3,000 rpm for 10 minutes.

*3: Drive at 90 km/h (55 MPH) for 30 minutes and then let idle for 10 minutes.

*4: After 60 minutes of cool down time.

For more information, refer to "OVERHEATING CAUSE ANALYSIS" in LC section.

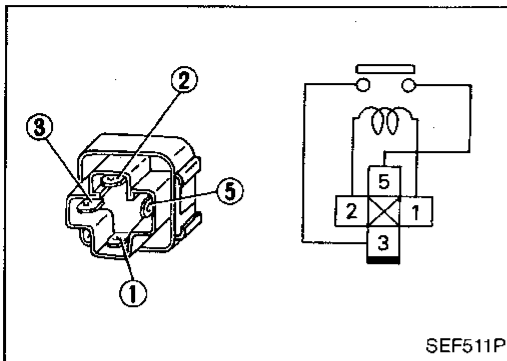
TROUBLE DIAGNOSIS FOR OVERHEAT

Overheat (Cont'd)

COMPONENT INSPECTION

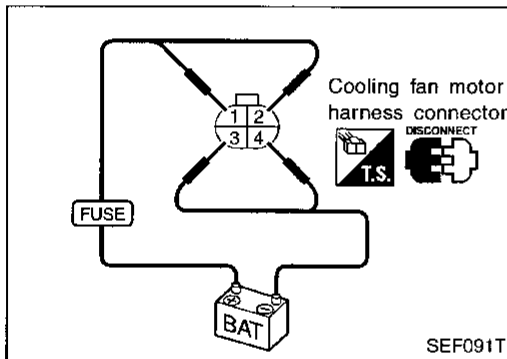
Cooling fan relay-1 and 2

Check continuity between terminals ③ and ⑤ .



Conditions	Continuity
12V direct current supply between terminals ① and ②	Yes
No current supply	No

If NG, replace relay.



Cooling fan motor

1. Disconnect cooling fan motor harness connectors.
2. Supply cooling fan motor terminals with battery voltage and check operation.

	Speed	Terminals	
		(⊕)	(⊖)
Cooling fan motor	Low	①	④
	High	①, ②	③, ④

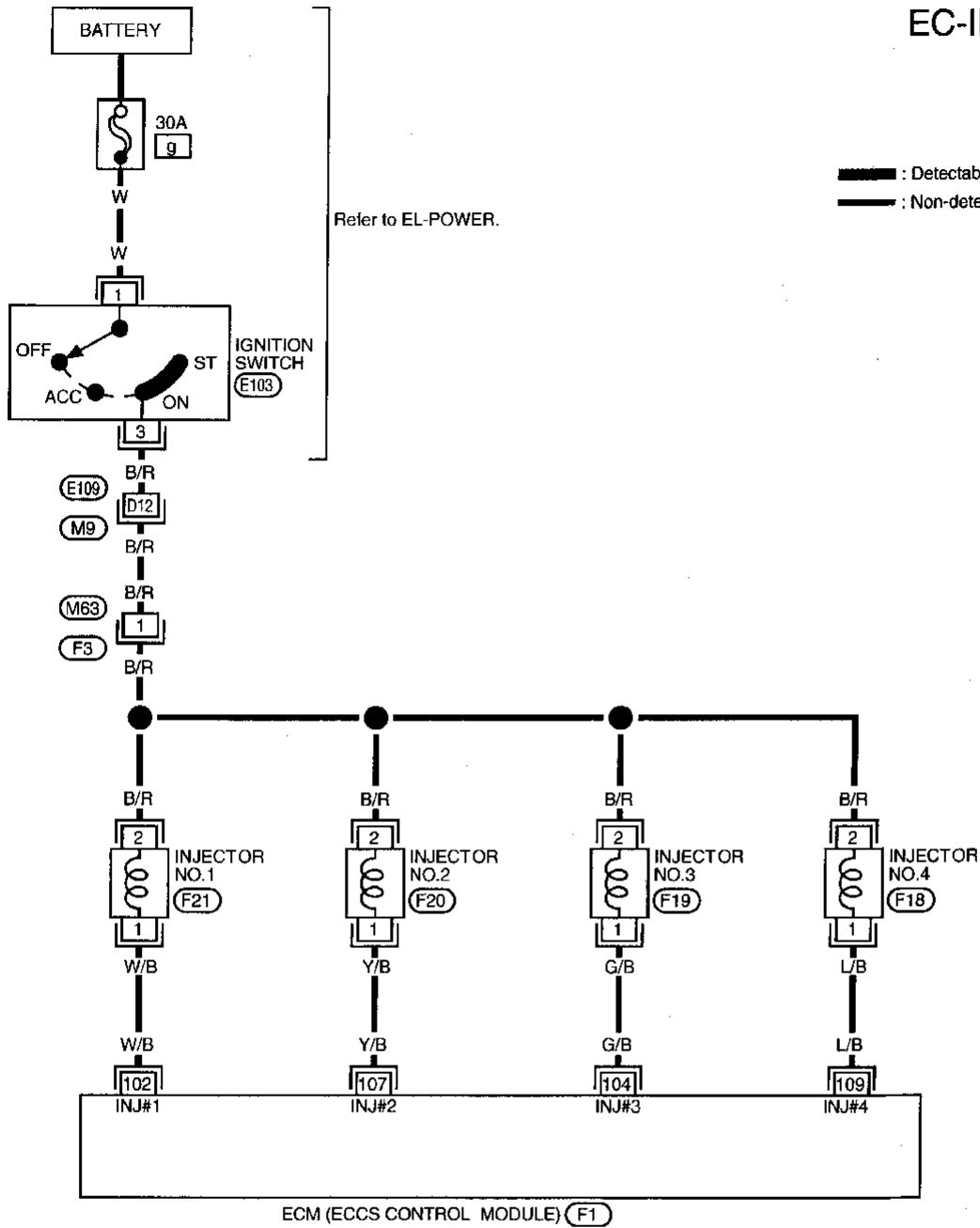
Cooling fan motor should operate.

If NG, replace cooling fan motor.

TROUBLE DIAGNOSIS FOR NON-DETECTABLE ITEMS

Injector

EC-INJECT-01



GI

MA

EM

LC

EC

FE

CL

MT

AT

PD

FA

RA

BR

ST

RS

BT

HA

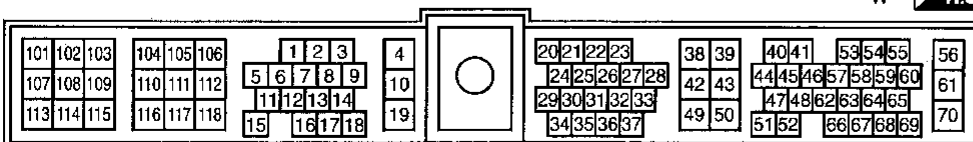
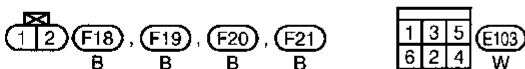
EL

IDX

Refer to last page (Foldout page).

E109, M9

M63, F3

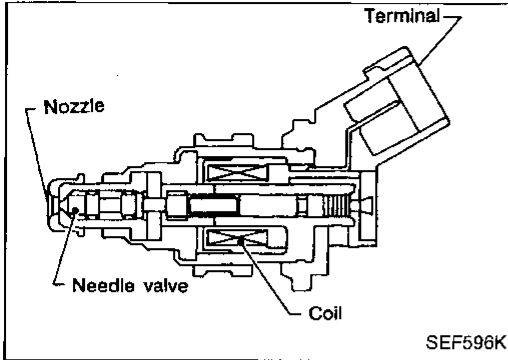


TROUBLE DIAGNOSIS FOR NON-DETECTABLE ITEMS

Injector (Cont'd)

COMPONENT DESCRIPTION

The fuel injector is a small, precise solenoid valve. When the ECM supplies a ground to the injector circuit, the coil in the injector is energized. The energized coil pulls the needle valve back and allows fuel to flow through the injector into the intake manifold. The amount of fuel injected depends upon the injection pulse duration. Pulse duration is the length of time the injector remains open. The ECM controls the injection pulse duration based on engine fuel needs.



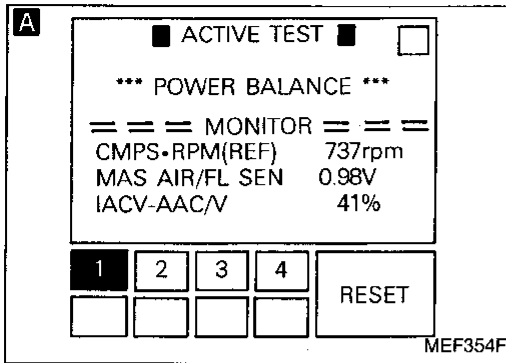
ECM TERMINALS AND REFERENCE VALUE

Specification data are reference values and are measured between each terminal and Ⓒ (ECCS ground).

TER-MINAL NO.	WIRE COLOR	ITEM	CONDITION	DATA (DC Voltage)
102	W/B	Injector No. 1	Engine is running.	BATTERY VOLTAGE (11 - 14V) SEF204T
104	G/B	Injector No. 3		
107	Y/B	Injector No. 2	Engine is running. (Warm-up condition)	BATTERY VOLTAGE (11 - 14V) SEF205T
109	L/B	Injector No. 4	Engine speed is 2,000 rpm	

TROUBLE DIAGNOSIS FOR NON-DETECTABLE ITEMS

Injector (Cont'd) DIAGNOSTIC PROCEDURE



INSPECTION START

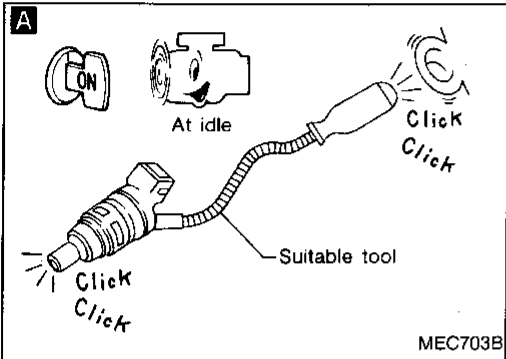
A CHECK OVERALL FUNCTION.

1. Start engine.
2. Perform "POWER BALANCE" in "ACTIVE TEST" mode with CONSULT.
3. Make sure that each circuit produces a momentary engine speed drop.

OK → INSPECTION END

OR

1. Start engine.
2. Listen to each injector operating sound. **Clicking noise should be heard.**



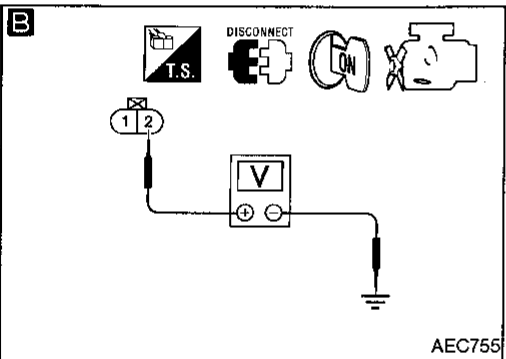
B CHECK POWER SUPPLY.

1. Stop engine.
2. Disconnect injector harness connector.
3. Turn ignition switch "ON".
4. Check voltage between terminal ② and ground with CONSULT or tester. **Voltage: Battery voltage**

NG → Check the following.

- Harness connectors (E109), (M9)
- Harness connectors (M63), (F3)
- Harness for open or short between injector and ignition switch

If NG, repair harness or connectors.



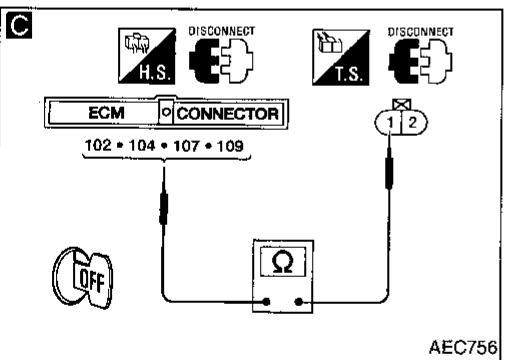
C CHECK OUTPUT SIGNAL CIRCUIT.

1. Turn ignition switch "OFF".
2. Disconnect ECM harness connector.
3. Check harness continuity between injector harness connector terminal ① and ECM terminals (102), (104), (107), (109). **Continuity should exist.** If OK, check harness for short to ground and short to power.

NG → Check the following.

- Harness for open or short between ECM and injector

If NG, repair open circuit or short to ground or short to power in harness or connectors.



CHECK COMPONENT (Injector). Refer to "COMPONENT INSPECTION" below.

NG → Replace injector.

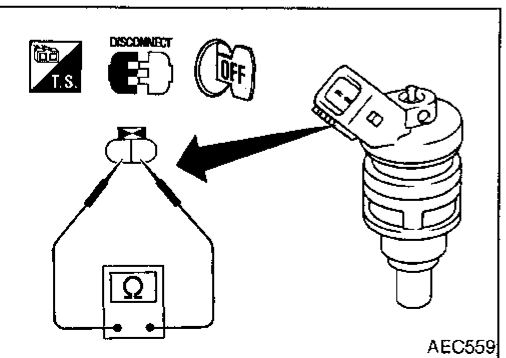
Perform "TROUBLE DIAGNOSIS FOR INTERMITTENT INCIDENT", EC-96.

INSPECTION END

COMPONENT INSPECTION

Injector

1. Disconnect injector harness connector.
2. Check resistance between terminals as shown in the figure. **Resistance: 10 - 14Ω [at 25°C (77°F)]** If NG, replace injector.

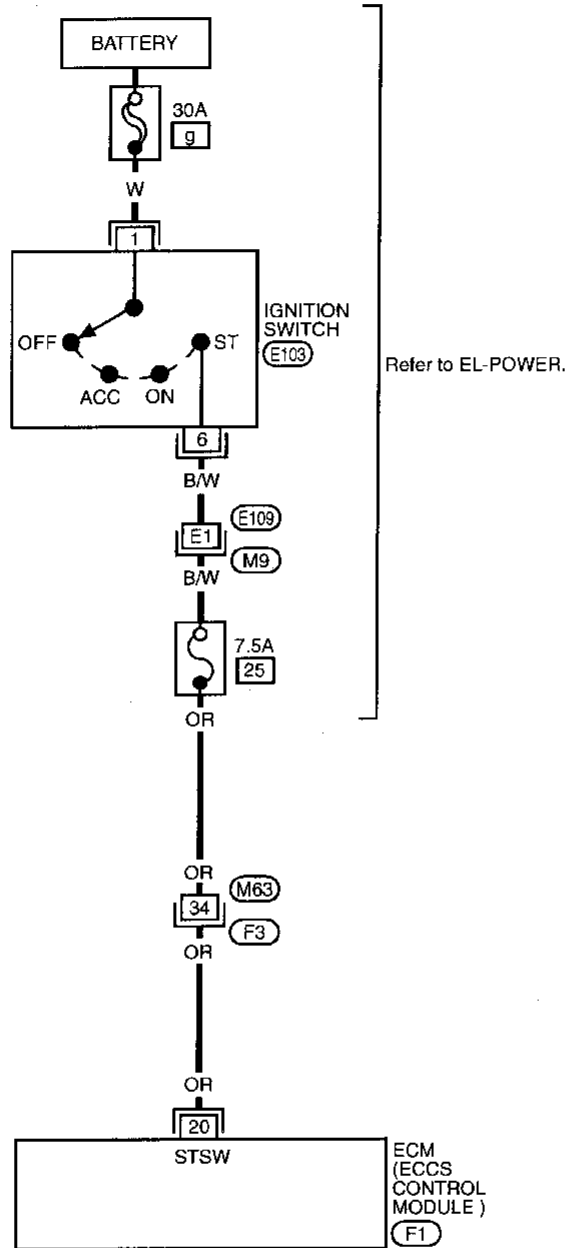


GI
MA
EM
LC
EC
FE
CL
MT
AT
PD
FA
RA
BR
ST
RS
BT
HA
EL
IDX

TROUBLE DIAGNOSIS FOR NON-DETECTABLE ITEMS

Start Signal

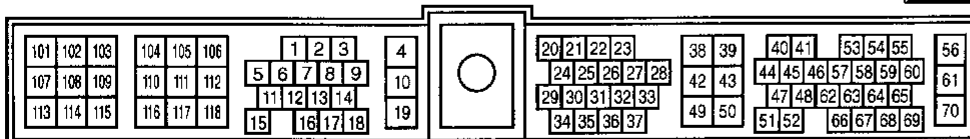
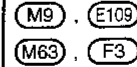
EC-S/SIG-01



: Detectable line for DTC
 : Non-detectable line for DTC



Refer to last page (Foldout page).



TROUBLE DIAGNOSIS FOR NON-DETECTABLE ITEMS

Start Signal (Cont'd)

CONSULT REFERENCE VALUE IN DATA MONITOR MODE

Specification data are reference values.

MONITOR ITEM	CONDITION	SPECIFICATION
START SIGNAL	• Ignition switch: ON → START → ON	OFF → ON → OFF

GI

ECM TERMINALS AND REFERENCE VALUE

Specification data are reference values and are measured between each terminal and Ⓔ (ECCS ground).

TER-MINAL NO.	WIRE COLOR	ITEM	CONDITION	DATA (DC Voltage)
20	OR	Start signal	Ignition switch "ON"	Approximately 0V
			Ignition switch "START"	BATTERY VOLTAGE (11 - 14V)

MA

EM

LC

EC

FE

CL

MT

AT

PD

FA

RA

BR

ST

RS

BT

HA

EL

IDX

TROUBLE DIAGNOSIS FOR NON-DETECTABLE ITEMS

Start Signal (Cont'd) DIAGNOSTIC PROCEDURE

A

■ START SIGNAL CKT ■

1. CLOSE THROTTLE, SHIFT TO P OR N RANGE.
2. TOUCH START AND START ENGINE IMMEDIATELY.

NEXT START

SEF191L

A

☆ MONITOR ☆ NO FAIL

START SIGNAL OFF

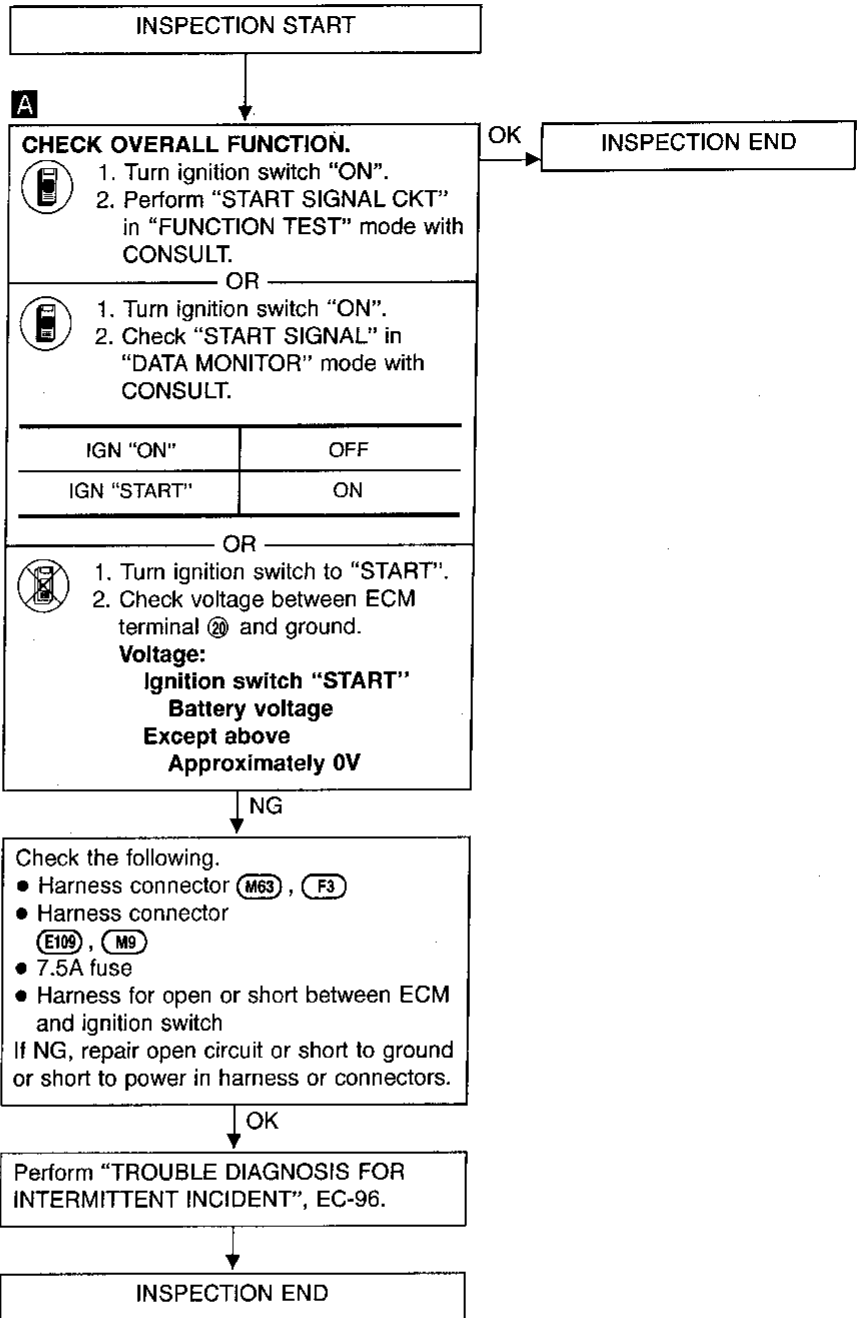
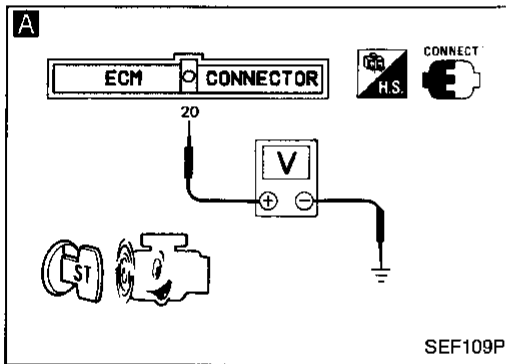
CLSD TH/P SW ON

AIR COND SIG OFF

P/N POSI SW ON

RECORD

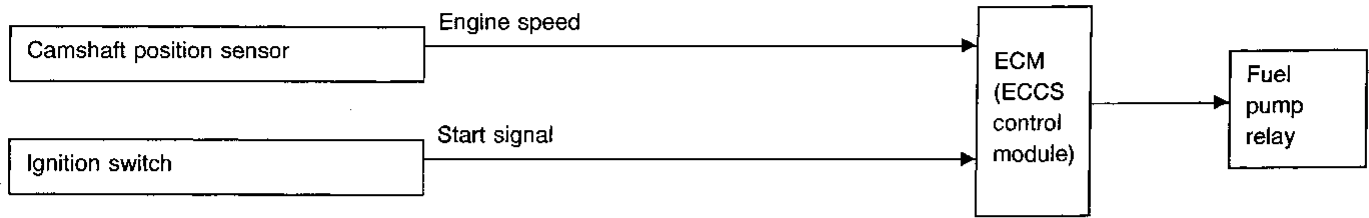
SEF111P



TROUBLE DIAGNOSIS FOR NON-DETECTABLE ITEMS

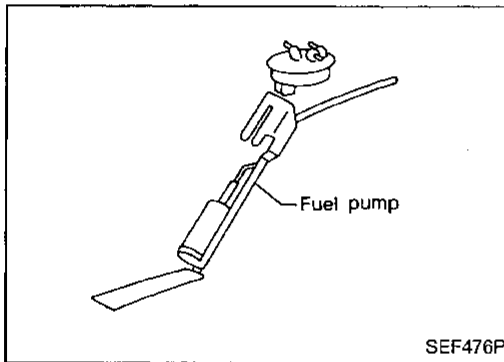
Fuel Pump

SYSTEM DESCRIPTION



The ECM activates the fuel pump for several seconds after the ignition switch is turned on to improve engine startability. If the ECM receives a 180° signal from the camshaft position sensor, it knows that the engine is rotating, and causes the pump to perform. If the 180° signal is not received when the ignition switch is on, the engine stalls. The ECM stops pump operation and prevents battery discharging, thereby improving safety. The ECM does not directly drive the fuel pump. It controls the ON/OFF fuel pump relay, which in turn controls the fuel pump.

Condition	Fuel pump operation
Ignition switch is turned to ON.	Operates for 5 seconds
Engine running and cranking	Operates
When engine is stopped	Stops in 1 second
Except as shown above	Stops



COMPONENT DESCRIPTION

The fuel pump with a fuel damper is an in-tank type (the pump and damper are located in the fuel tank).

CONSULT REFERENCE VALUE IN DATA MONITOR MODE

Specification data are reference values.

MONITOR ITEM	CONDITION	SPECIFICATION
FUEL PUMP RLY	<ul style="list-style-type: none"> Ignition switch is turned to ON (Operates for 5 seconds) Engine running and cranking When engine is stopped (stops in 1.0 seconds) 	ON
	Except as shown above	OFF

ECM TERMINALS AND REFERENCE VALUE

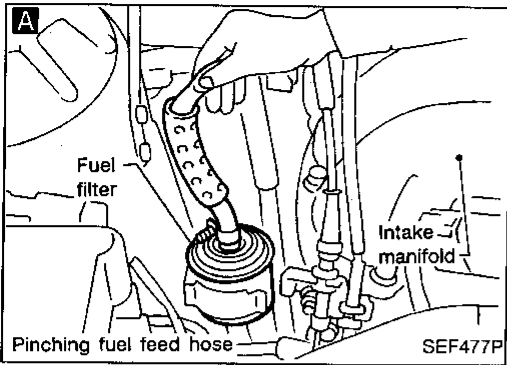
Specification data are reference values and are measured between each terminal and Ⓞ (ECCS ground).

TER-MINAL NO.	WIRE COLOR	ITEM	CONDITION	DATA (DC Voltage)
8	B/P	Fuel pump relay	Ignition switch "ON" └ For 5 seconds after turning ignition switch "ON"	0 - 1V
			Ignition switch "ON" └ More than 5 seconds after turning ignition switch "ON"	BATTERY VOLTAGE (11 - 14V)

GI
MA
EM
LC
EC
FE
CL
MT
AT
PD
FA
RA
BR
ST
RS
BT
HA
EL
IDX
581

TROUBLE DIAGNOSIS FOR NON-DETECTABLE ITEMS

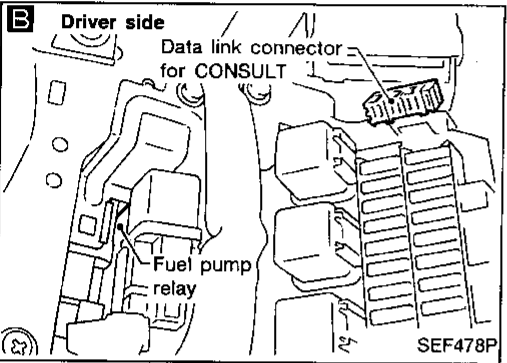
Fuel Pump (Cont'd) DIAGNOSTIC PROCEDURE



INSPECTION START

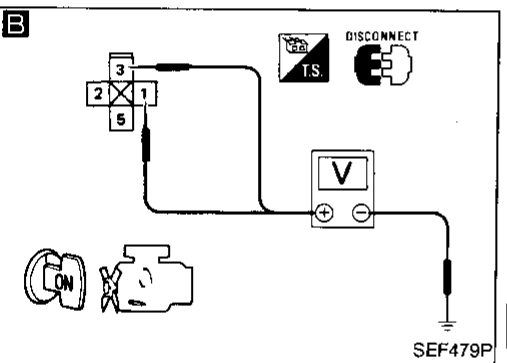
A
CHECK OVERALL FUNCTION.
1. Turn ignition switch "ON".
2. Pinch fuel feed hose with fingers.
Fuel pressure pulsation should be felt on the fuel feed hose for 5 seconds after ignition switch is turned "ON".

OK → INSPECTION END



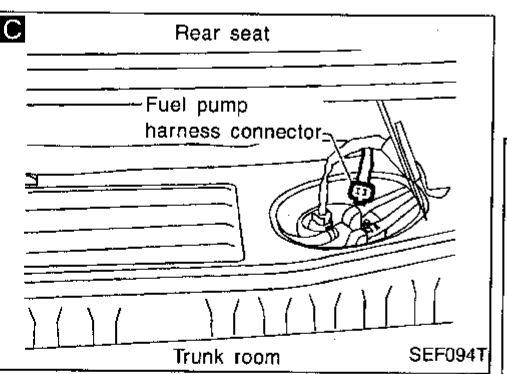
B
CHECK POWER SUPPLY.
1. Turn ignition switch "OFF".
2. Disconnect fuel pump relay.
3. Turn ignition switch "ON".
4. Check voltage between terminals ①, ③ and ground with CONSULT or tester.
Voltage: Battery voltage

NG → Check the following.
● 15A fuse
● Harness for open or short between fuse and fuel pump relay
If NG, repair harness or connectors.



C
CHECK POWER AND GROUND CIRCUIT.
1. Turn ignition switch "OFF".
2. Disconnect fuel pump harness connector.
3. Check harness continuity between terminal ② and body ground, terminal ① and fuel pump relay connector terminal ⑤.
Continuity should exist.
If OK, check harness for short to ground and short to power.

NG → Check the following.
● Harness connectors (T2), (B21)
● Harness connectors (M10), (B1)
● Harness for open or short between fuel pump and body ground
● Harness for open or short between fuel pump and fuel pump relay
If NG, repair open circuit or short to ground or short to power in harness or connectors.



D
CHECK OUTPUT SIGNAL CIRCUIT.
1. Disconnect ECM harness connector.
2. Check harness continuity between ECM terminal ⑧ and fuel pump relay connector terminal ②.
Continuity should exist.
If OK, check harness for short to ground and short to power.

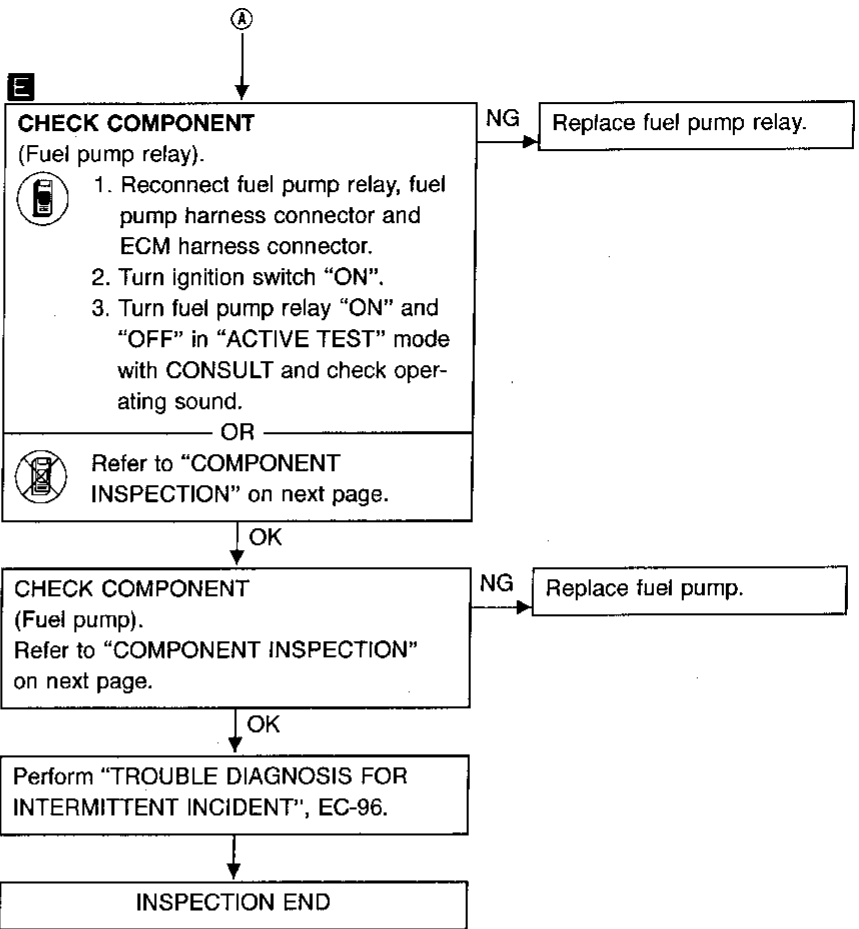
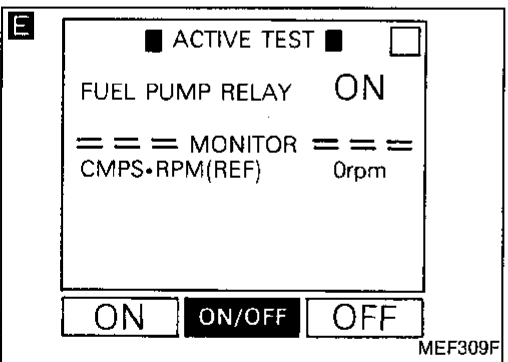
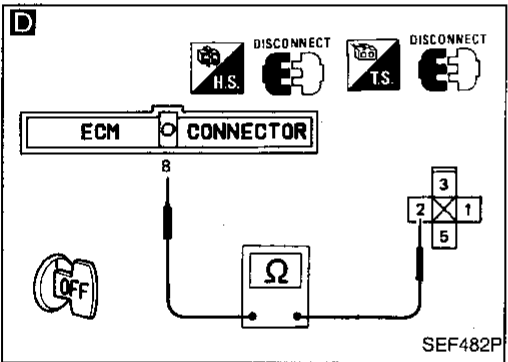
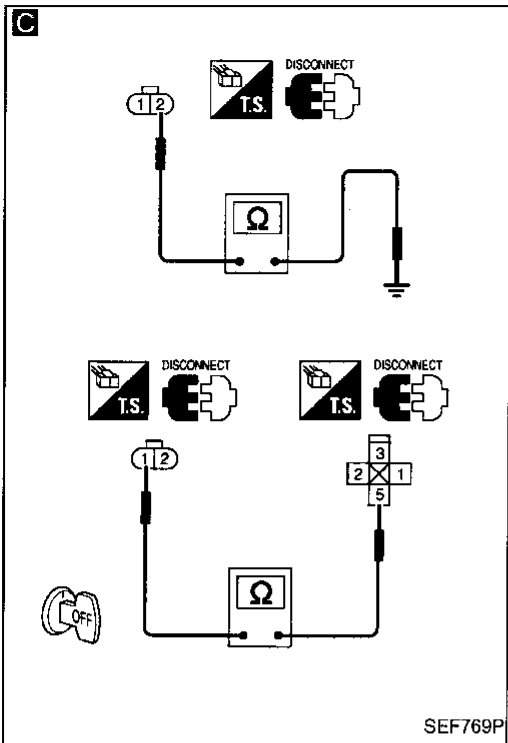
NG → Check the following.
● Harness connectors (M63), (F3)
● Harness for open or short between ECM and fuel pump relay
If NG, repair open circuit or short to ground or short to power in harness or connectors.

OK → A

GI
MA
EM
LC
EC
FE
CL
MT
AT
PD
FA
RA
BR
ST
RS
BT
HA
EL
IDX

TROUBLE DIAGNOSIS FOR NON-DETECTABLE ITEMS

Fuel Pump (Cont'd)



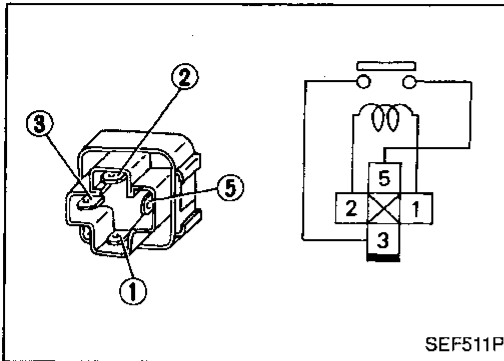
TROUBLE DIAGNOSIS FOR NON-DETECTABLE ITEMS

Fuel Pump (Cont'd)

COMPONENT INSPECTION

Fuel pump relay

Check continuity between terminals ③ and ⑤.

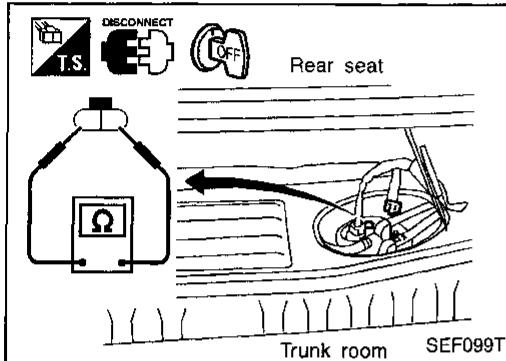


Conditions	Continuity	
12V direct current supply between terminals ① and ②	Yes	GI
No current supply	No	MA

If NG, replace relay.

Fuel pump

1. Disconnect fuel pump harness connector.
2. Check resistance between terminals ① and ②.
Resistance: 0.2 - 5.0Ω [at 25°C (77°F)]
 If NG, replace fuel pump.



GI

MA

EM

LC

EC

FE

CL

MT

AT

PD

FA

RA

BR

ST

RS

BT

HA

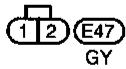
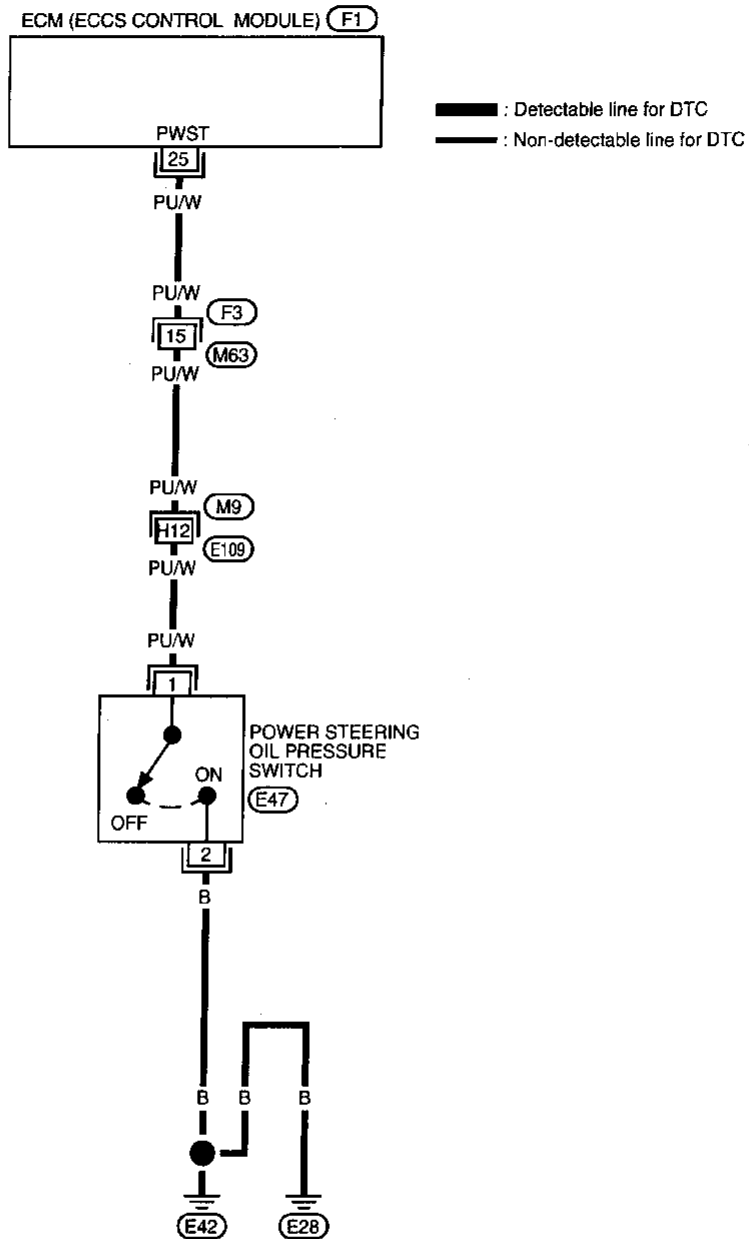
EL

IDX

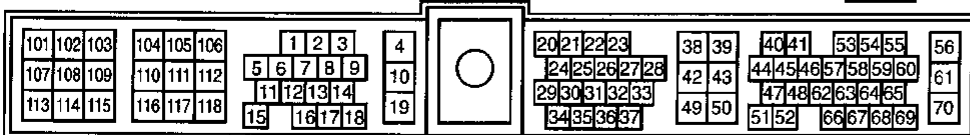
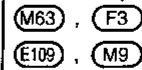
TROUBLE DIAGNOSIS FOR NON-DETECTABLE ITEMS

Power Steering Oil Pressure Switch

EC-PST/SW-01



Refer to last page (Foldout page).

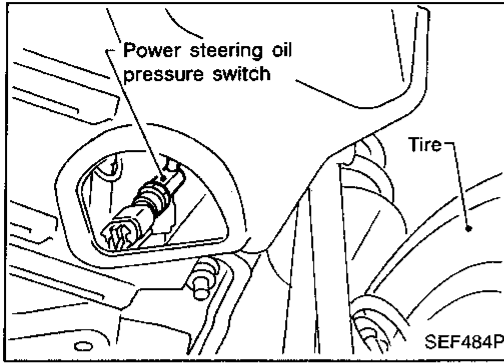


TROUBLE DIAGNOSIS FOR NON-DETECTABLE ITEMS

Power Steering Oil Pressure Switch (Cont'd)

COMPONENT DESCRIPTION

The power steering oil pressure switch is attached to the power steering high-pressure tube and detects a power steering load. When a power steering load is detected, it signals the ECM. The ECM adjusts the IACV-AAC valve to increase the idle speed and adjust for the increased load.



CONSULT REFERENCE VALUE IN DATA MONITOR MODE

Specification data are reference values.

MONITOR ITEM	CONDITION		SPECIFICATION
PW/ST SIGNAL	<ul style="list-style-type: none"> Engine: After warming up, idle the engine 	Steering wheel in neutral position (forward direction)	OFF
		The steering wheel is fully turned	ON

ECM TERMINALS AND REFERENCE VALUE

Specification data are reference values and are measured between each terminal and ④ (ECCS ground).

TER-MINAL NO.	WIRE COLOR	ITEM	CONDITION	DATA (DC Voltage)
25	PU/W	Power steering oil pressure switch	<div style="border: 1px solid black; padding: 2px;">Engine is running.</div> <ul style="list-style-type: none"> Steering wheel is fully being turned 	Approximately 0V
			<div style="border: 1px solid black; padding: 2px;">Engine is running.</div> <ul style="list-style-type: none"> Steering wheel is not being turned 	Approximately 5V

TROUBLE DIAGNOSIS FOR NON-DETECTABLE ITEMS

Power Steering Oil Pressure Switch (Cont'd)

DIAGNOSTIC PROCEDURE

A

■ PW/ST SIGNAL CIRCUIT ■

HOLD STEERING WHEEL
IN A FULL
LOCKED POSITION
THEN
TOUCH START

NEXT START

MEF023E

A

☆ MONITOR ☆ NO FAIL

PW/ST SIGNAL OFF

RECORD

SEF591I

A

ECM CONNECTOR H.S. ON

25

SEF126P

B

T.S. DISCONNECT OFF

1 2

AEC760

C

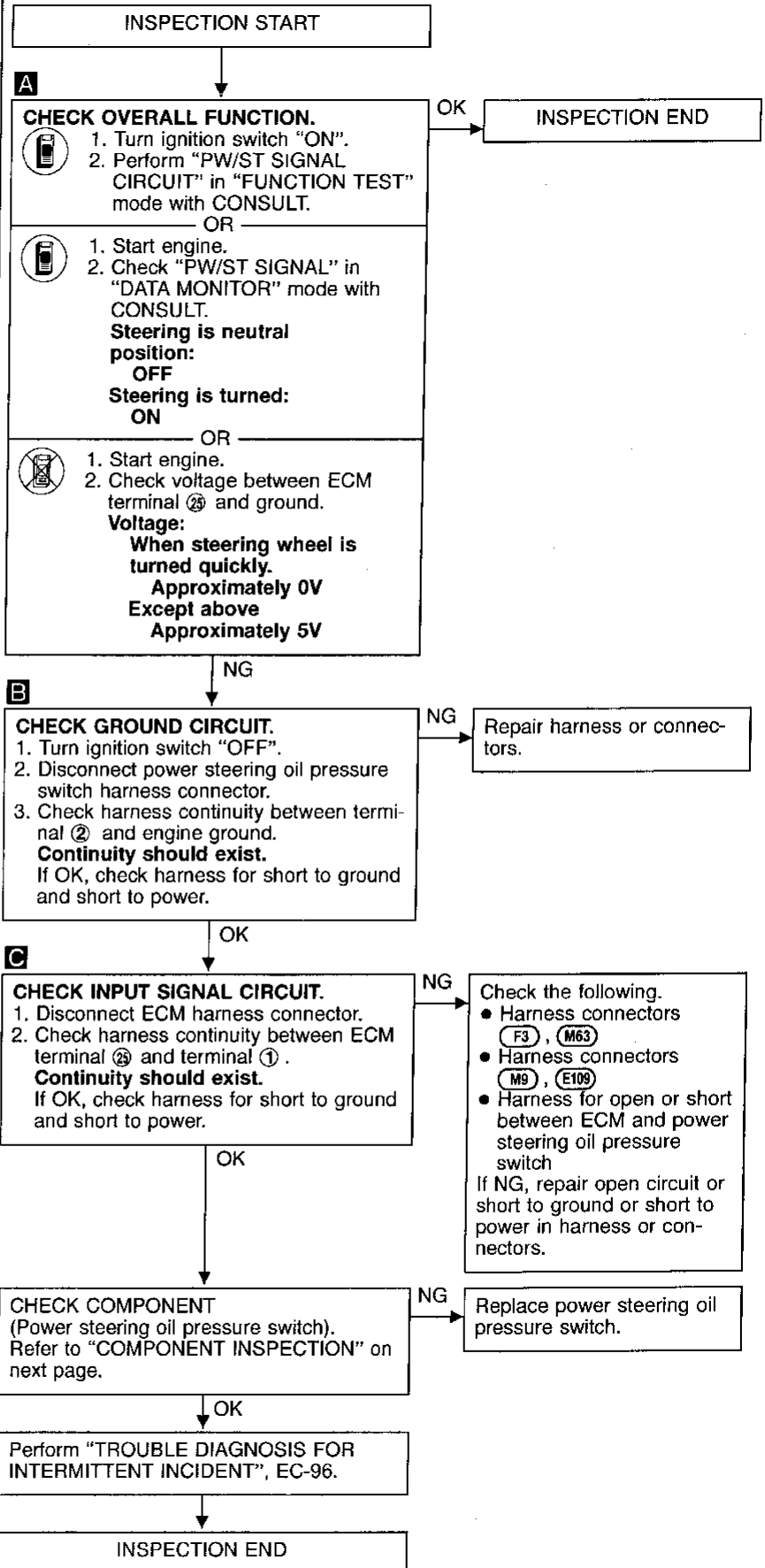
H.S. DISCONNECT T.S. DISCONNECT

ECM CONNECTOR

25 1 2

OFF

AEC761

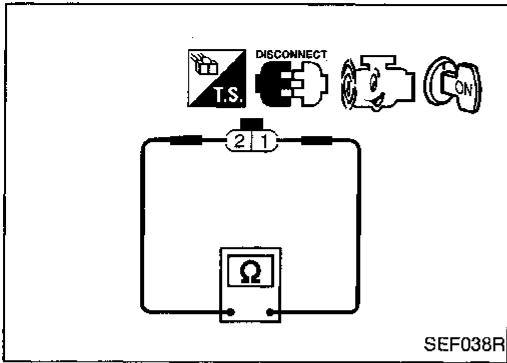


TROUBLE DIAGNOSIS FOR NON-DETECTABLE ITEMS

Power Steering Oil Pressure Switch (Cont'd) COMPONENT INSPECTION

Power steering oil pressure switch

1. Disconnect power steering oil pressure switch harness connector then start engine.
2. Check continuity between terminals ① and ②.



Conditions	Continuity
Steering wheel is fully being turned	Yes
Steering wheel is not being turned	No

If NG, replace power steering oil pressure switch.

GI

MA

EM

LC

EC

FE

CL

MT

AT

PD

FA

RA

BR

ST

RS

BT

HA

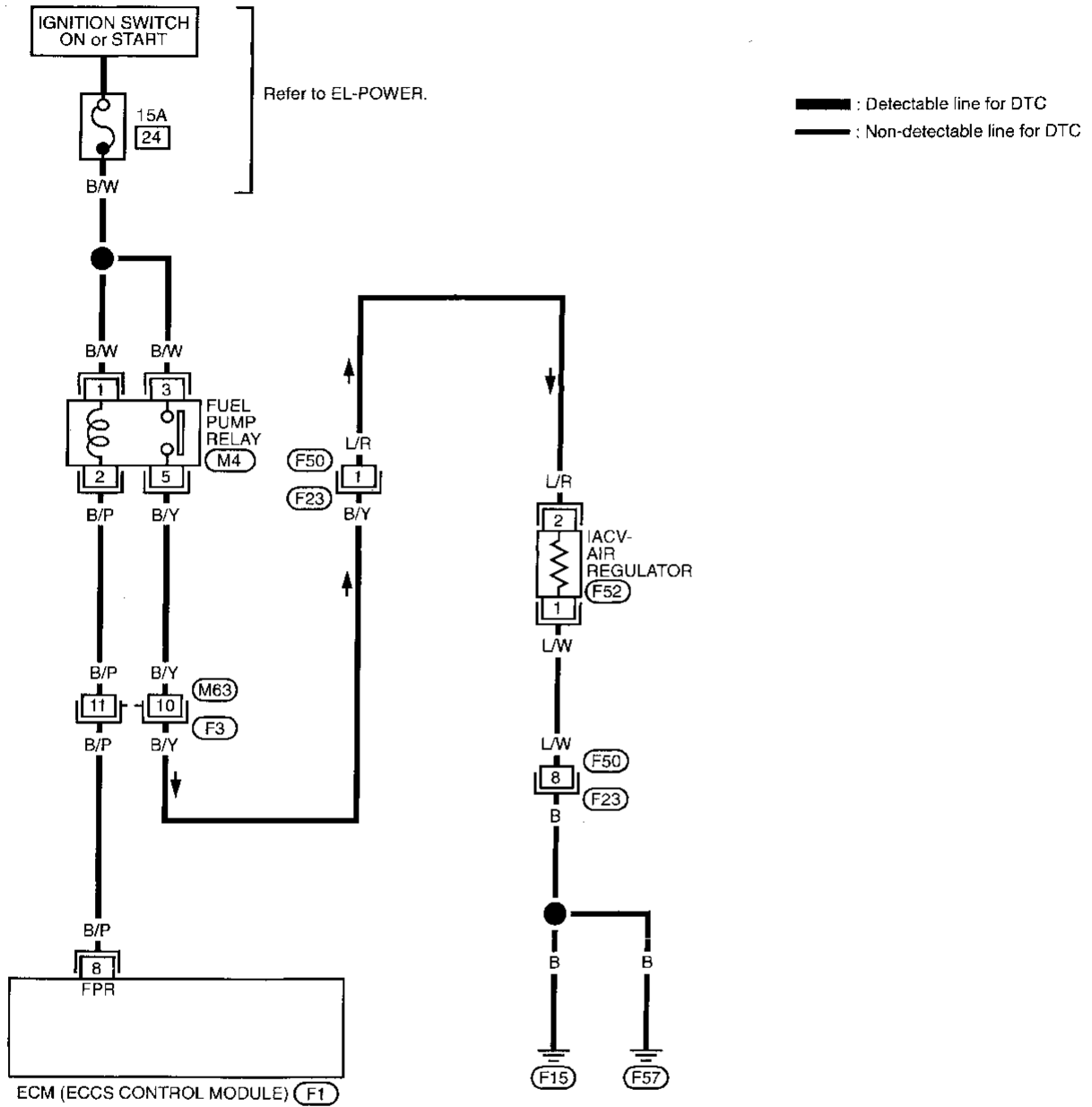
EL

IDX

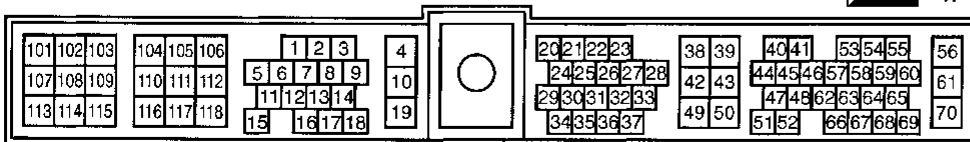
TROUBLE DIAGNOSIS FOR NON-DETECTABLE ITEMS

IACV-Air Regulator

EC-AIRREG-01



Refer to last page (Foldout page).
(M63) . (F3)

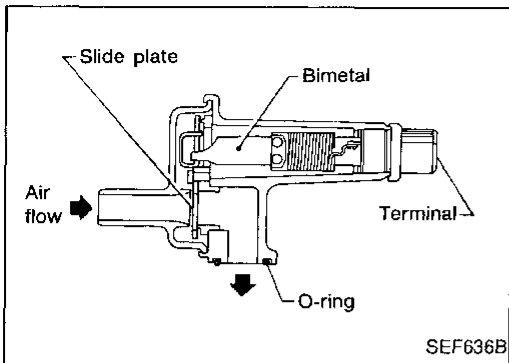


TROUBLE DIAGNOSIS FOR NON-DETECTABLE ITEMS

IACV-Air Regulator (Cont'd)

DESCRIPTION

The idle air control valve (IACV)-air regulator provides an air by-pass when the engine is cold for a fast idle during warm-up. A bimetal, heater and rotary shutter are built into the IACV-air regulator. When the bimetal temperature is low, the air by-pass port opens. As the engine starts and electric current flows through a heater, the bimetal begins to turn the shutter to close the by-pass port. The air passage remains closed until the engine stops and the bimetal temperature drops.



SEF636B

DIAGNOSTIC PROCEDURE

INSPECTION START

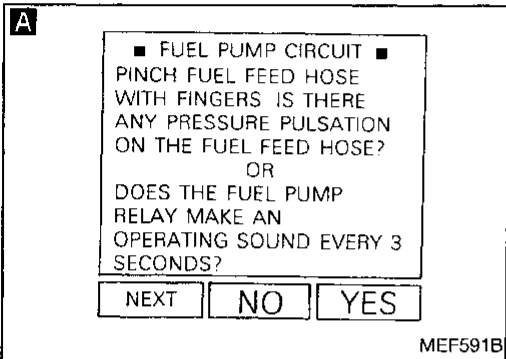
A **CHECK CONTROL FUNCTION.**
 1. Turn ignition switch "ON".
 2. Perform "FUEL PUMP CIRCUIT" in "FUNCTION TEST" mode with CONSULT.

NG → Check fuel pump control circuit.
 (See page EC-431.)

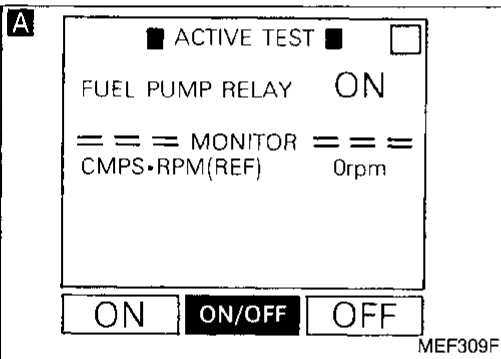
OR
 2. Turn fuel pump relay "ON" and "OFF" in "ACTIVE TEST" mode with CONSULT and check operating sound.

OR
 2. Pinch fuel feed hose with fingers. **Fuel pressure pulsation should be felt on the fuel feed hose for 5 seconds after ignition switch is turned "ON".**

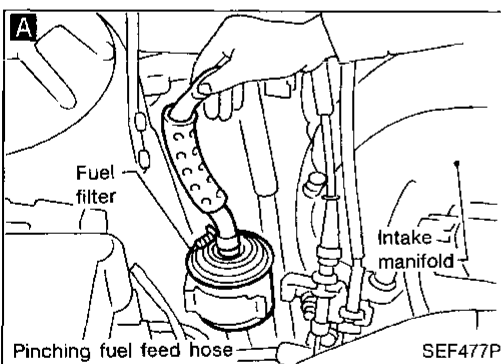
OK
 (A)



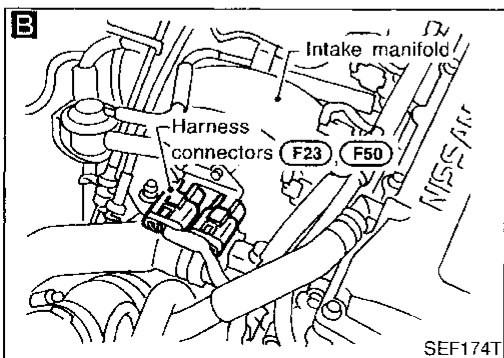
MEF591B



MEF309F



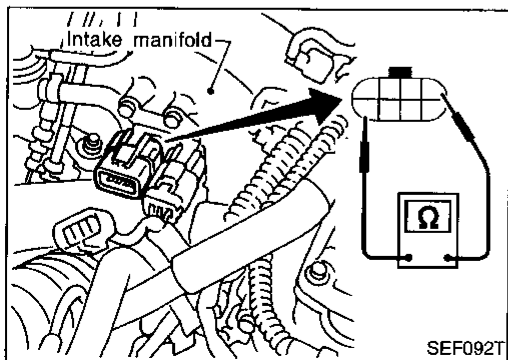
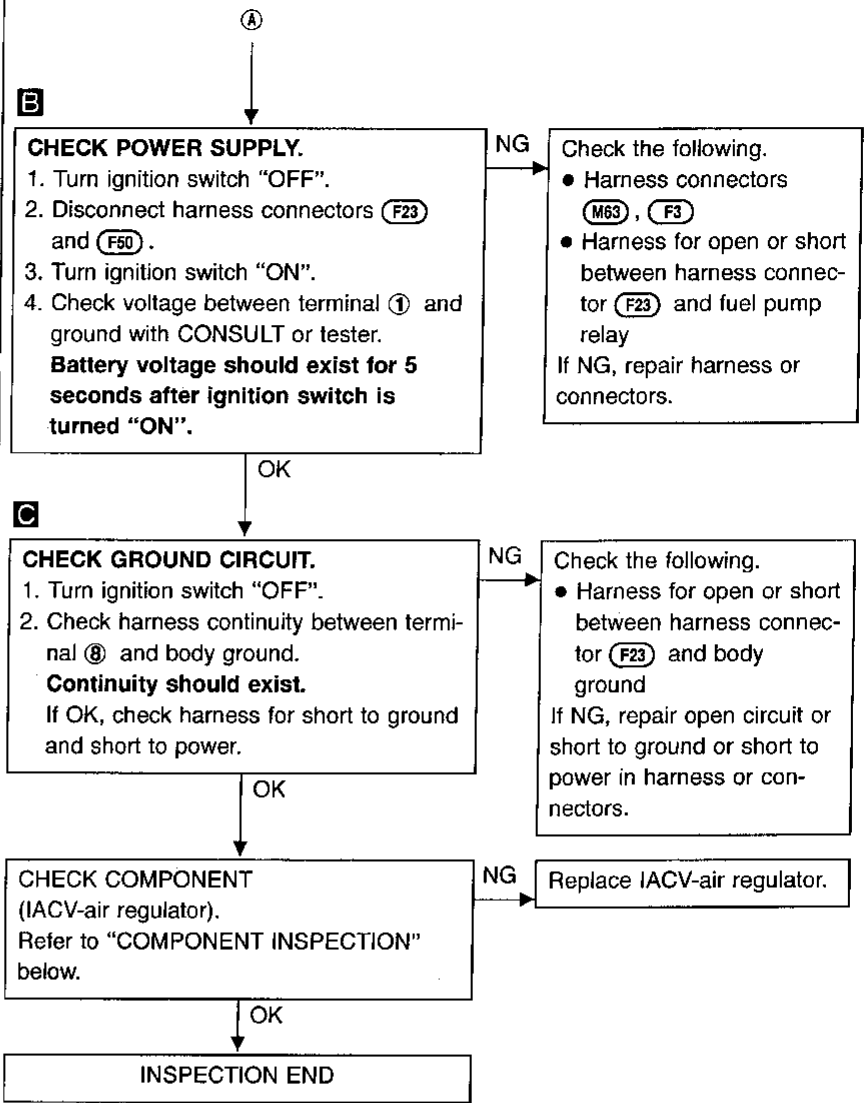
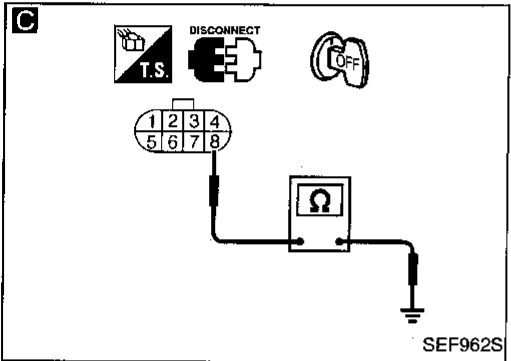
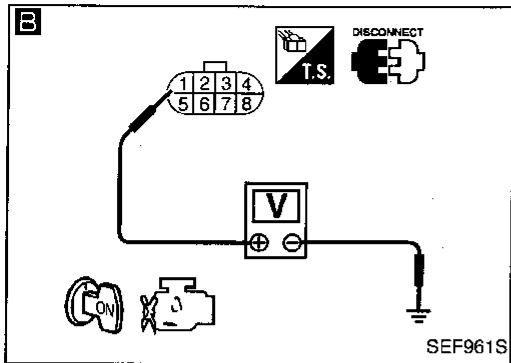
SEF477P



SEF174T

TROUBLE DIAGNOSIS FOR NON-DETECTABLE ITEMS

IACV-Air Regulator (Cont'd)



COMPONENT INSPECTION

IACV-air regulator

Disconnect EFI (IACV-air regulator) sub-harness connector.

- Check IACV-air regulator resistance.

Resistance:

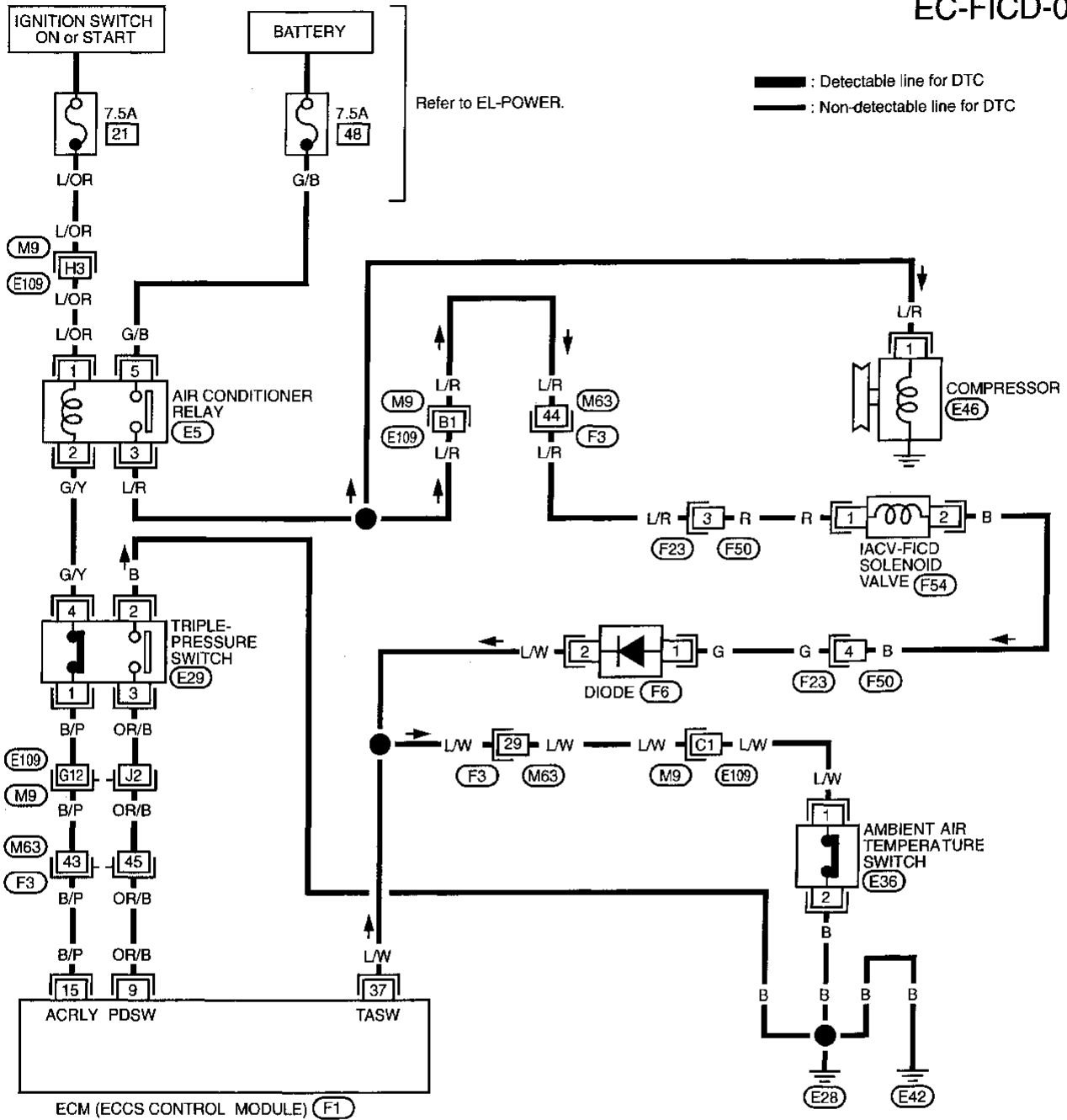
Approximately 70 - 80Ω at 25°C (77°F)

- Check IACV-air regulator for clogging.

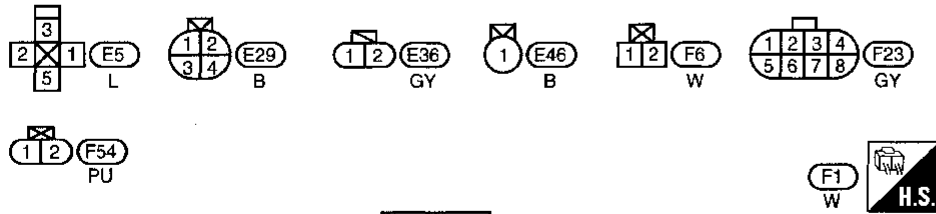
TROUBLE DIAGNOSIS FOR NON-DETECTABLE ITEMS

IACV-FICD Solenoid Valve

EC-FICD-01

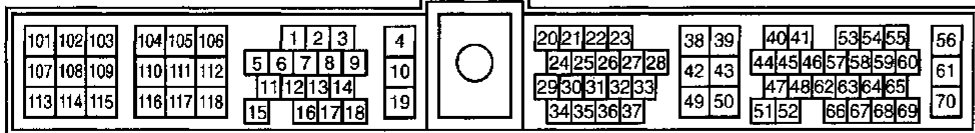


GI
MA
EM
LC
EC
FE
CL
MT
AT
PD
FA
RA
BR
ST
RS
BT
HA
EL
IDX



Refer to last page (Foldout page).

E109, M9
M63, F3

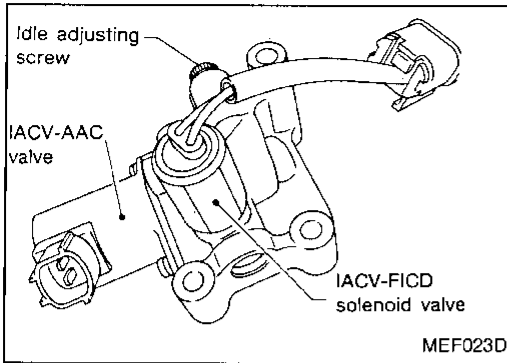


TROUBLE DIAGNOSIS FOR NON-DETECTABLE ITEMS

IACV-FICD Solenoid Valve (Cont'd)

COMPONENT DESCRIPTION

When the air conditioner is on, the IACV-FICD solenoid valve supplies additional air to adjust to the increased load.



ECM TERMINALS AND REFERENCE VALUE

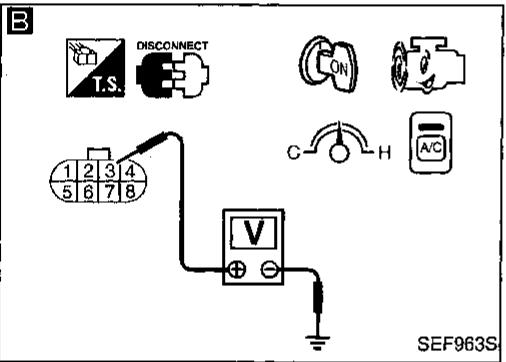
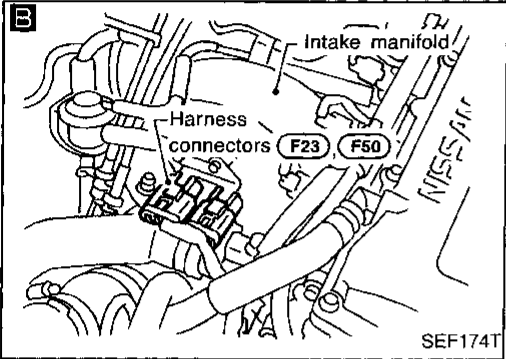
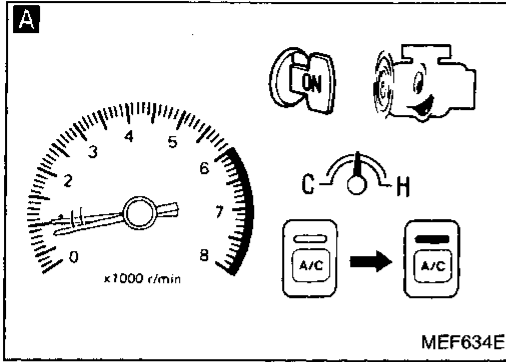
Specification data are reference values and are measured between each terminal and Ⓒ (ECCS ground).

TER-MINAL NO.	WIRE COLOR	ITEM	CONDITION	DATA (DC Voltage)
15	B/P	Air conditioner relay	Engine is running. └ Both air conditioner switch and blower switch are "ON".	0.08 - 0.3V
			Engine is running. └ Air conditioner switch is "OFF".	BATTERY VOLTAGE (11 - 14V)
9	OR/B	Air conditioner triple-pres-sure switch	Ignition switch "ON"	Approximately 7V
37	L/W	Ambient air temperature switch	Engine is running. └ Idle speed	0V
			Engine is running. [Ambient air temperature is 25°C (77°F).] └ Idle speed └ Air conditioner is operating.	Approximately 0.2V

TROUBLE DIAGNOSIS FOR NON-DETECTABLE ITEMS

IACV-FICD Solenoid Valve (Cont'd)

DIAGNOSTIC PROCEDURE



INSPECTION START

A

CHECK OVERALL FUNCTION.

1. Start engine and warm it up to normal operating temperature.
2. Check idle speed.
M/T: 700±50 rpm
A/T: 700±50 rpm (In "N" position)
 If NG, adjust idle speed.
3. Turn air conditioner switch and blower fan switch "ON".
4. Recheck idle speed.
M/T: Approx. 800 rpm or 1,000 rpm
A/T: Approx. 800 rpm or 1,000 rpm (in "N" position)

Note: Idle speed is 1,000 rpm under normal condition [ambient temperature is approx. 25°C (77°F)] and 800 rpm when ambient temperature is low [less than approx. 19°C (66°F)].

OK → INSPECTION END

NG

Check if air conditioner compressor functions normally.

NG → Refer to HA section.

OK

B

CHECK POWER SUPPLY.

1. Stop engine.
2. Disconnect harness connectors **(F23)** and **(F50)**.
3. Restart engine and let it idle.
4. Check voltage between terminal **(3)** and ground with CONSULT or tester.
Voltage: Battery voltage

NG

Check the following.

- Harness connectors **(M63)**, **(F3)**
- Harness connectors **(M9)**, **(E109)**
- Harness for open or short between harness connector **(F23)** and air conditioner relay

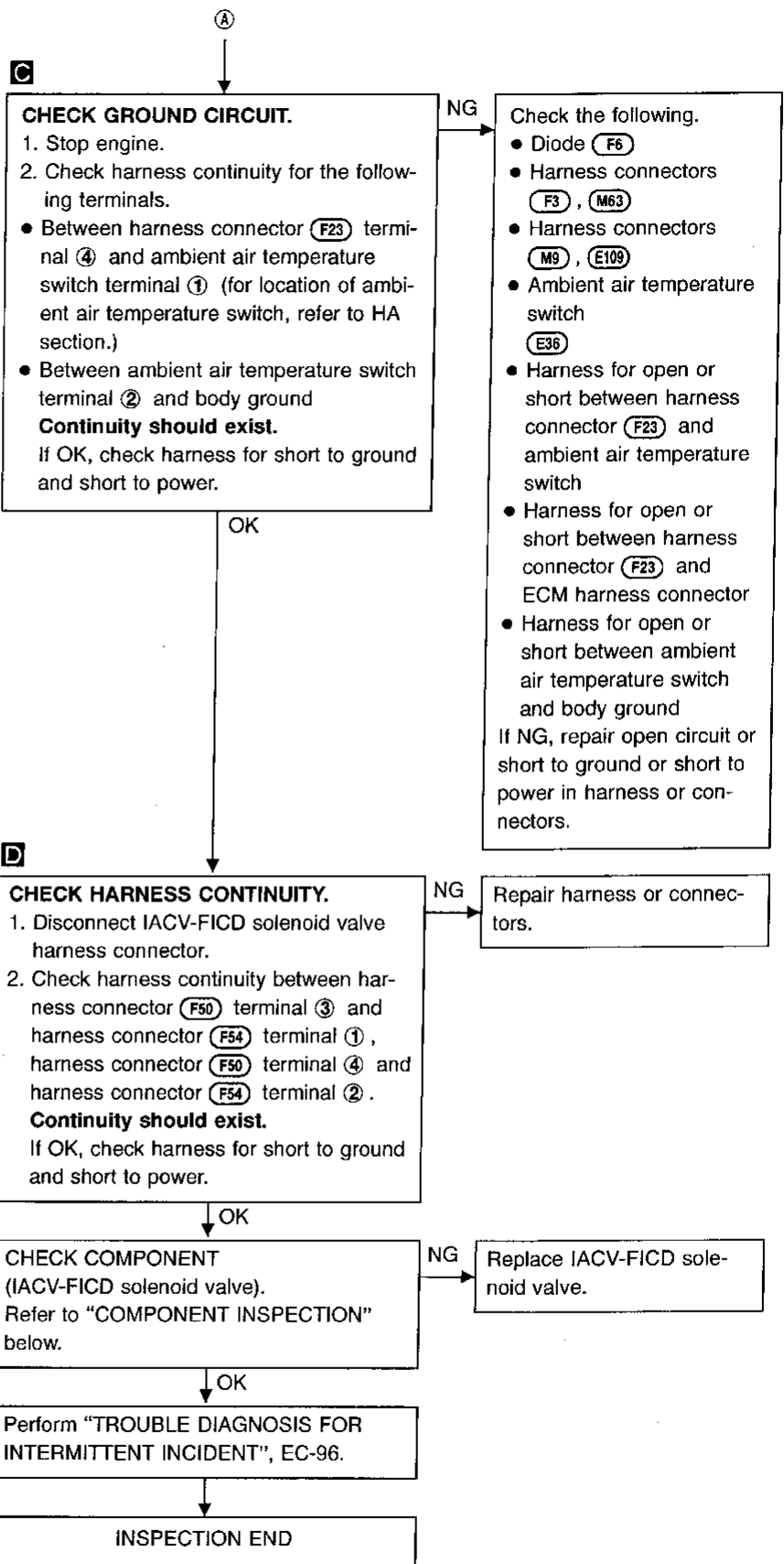
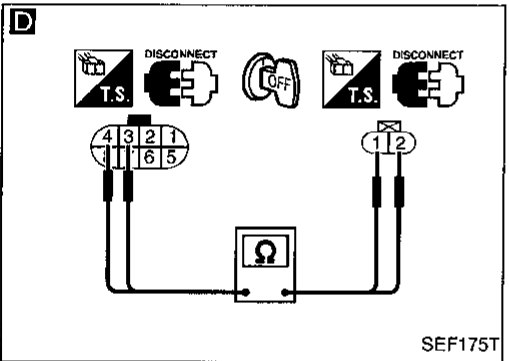
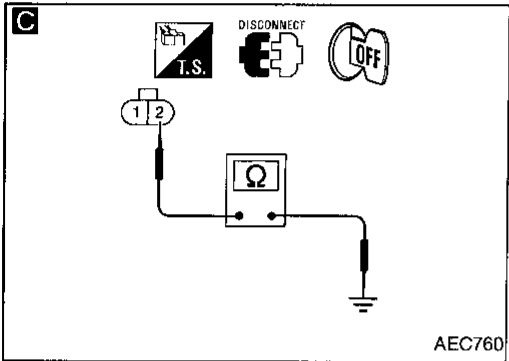
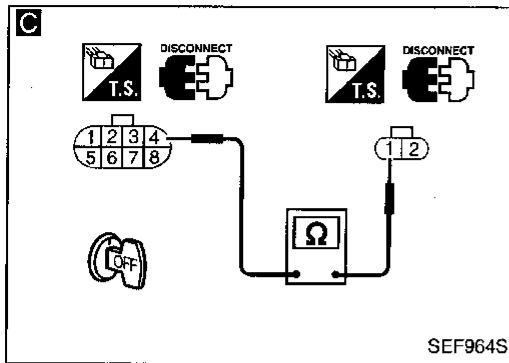
If NG, repair harness or connectors.

OK → (A)

GI
MA
EM
LC
EC
FE
CL
MT
AT
PD
FA
RA
BR
ST
RS
BT
HA
EL
IDX

TROUBLE DIAGNOSIS FOR NON-DETECTABLE ITEMS

IACV-FICD Solenoid Valve (Cont'd)



TROUBLE DIAGNOSIS FOR NON-DETECTABLE ITEMS

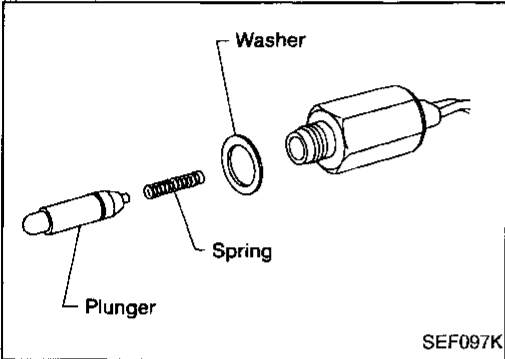
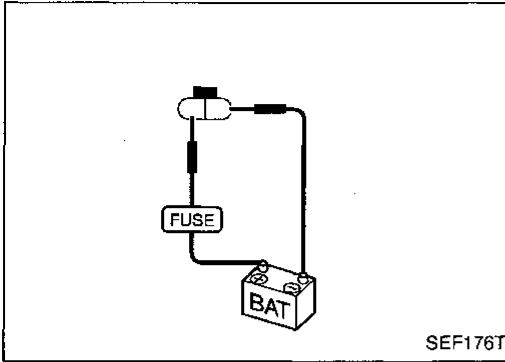
IACV-FICD Solenoid Valve (Cont'd)

COMPONENT INSPECTION

IACV-FICD solenoid valve

Disconnect IACV-FICD solenoid valve harness connector.

- Check for clicking sound when applying 12V direct current to terminals.



- Check plunger for seizing or sticking.
- Check for broken spring.

GI

MA

EM

LC

EC

FE

CL

MT

AT

PD

FA

RA

BR

ST

RS

BT

HA

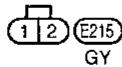
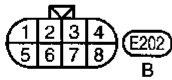
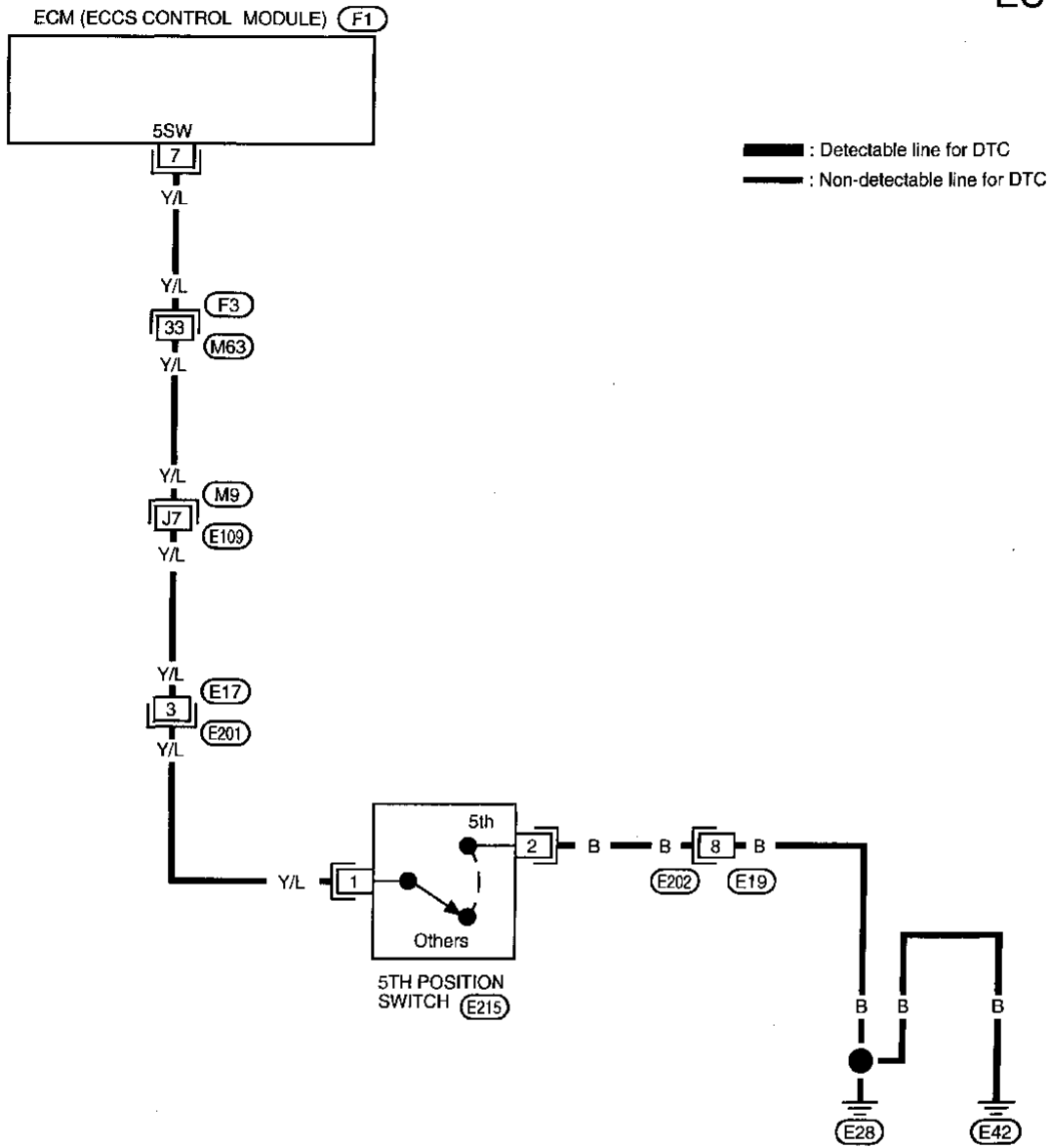
EL

IDX

TROUBLE DIAGNOSIS FOR NON-DETECTABLE ITEMS

5th Position Switch

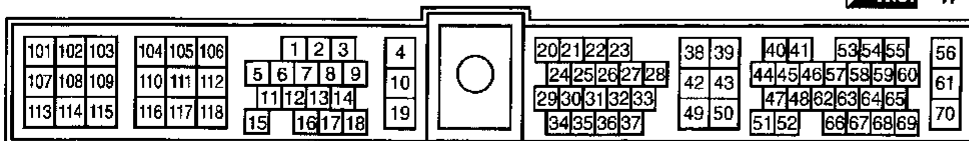
EC-5TH/P-01



Refer to last page (Foldout page).

(M63) (F3)

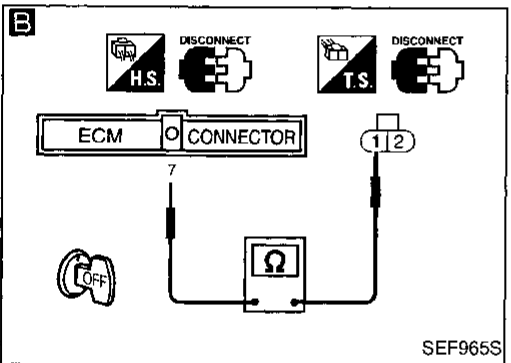
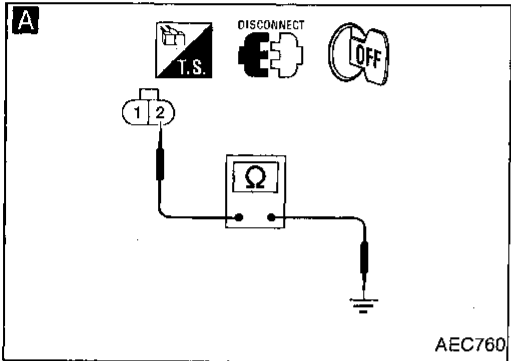
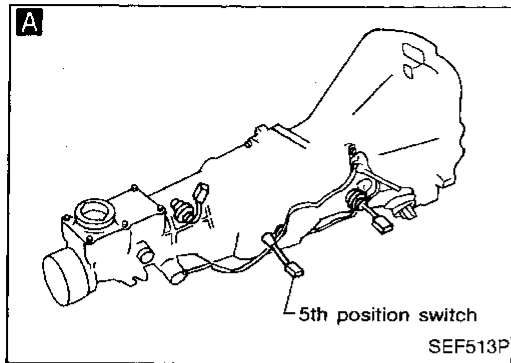
(E109) (M9)



TROUBLE DIAGNOSIS FOR NON-DETECTABLE ITEMS

5th Position Switch (Cont'd)

DIAGNOSTIC PROCEDURE



INSPECTION START

CHECK OVERALL FUNCTION.
 1. Turn ignition switch "ON".
 2. Check voltage between ECM terminal ⑦ and ground under the following conditions.
Voltage:
 Gear position: "5th" position
 Approximately 0V
 Gear position: Except above position
 Above 5V

CHECK GROUND CIRCUIT.
 1. Turn ignition switch "OFF".
 2. Disconnect 5th position switch harness connector.
 3. Check harness continuity between terminal ② and engine ground.
Continuity should exist.
 If OK, check harness for short to ground and short to power.

CHECK INPUT SIGNAL CIRCUIT.
 1. Disconnect ECM harness connector.
 2. Check harness continuity between ECM terminal ⑦ and terminal ①.
Continuity should exist.
 If OK, check harness for short to ground and short to power.

CHECK COMPONENT
 (5th position switch).
 Refer to MT section ("ON-VEHICLE SERVICE").

Perform "TROUBLE DIAGNOSIS FOR INTERMITTENT INCIDENT", EC-96.

INSPECTION END

NG

Check the following.

- Harness connectors (E202), (E19)
- Harness for open or short between 5th position switch and engine ground

If NG, repair open circuit or short to ground or short to power in harness or connectors.

NG

Check the following.

- Harness connectors (F3), (M63)
- Harness connectors (M9), (E109)
- Harness connectors (E17), (E201)
- Harness for open or short between ECM and 5th position switch

If NG, repair open circuit or short to ground or short to power in harness or connectors.

NG

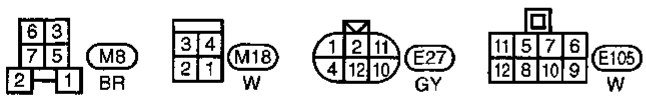
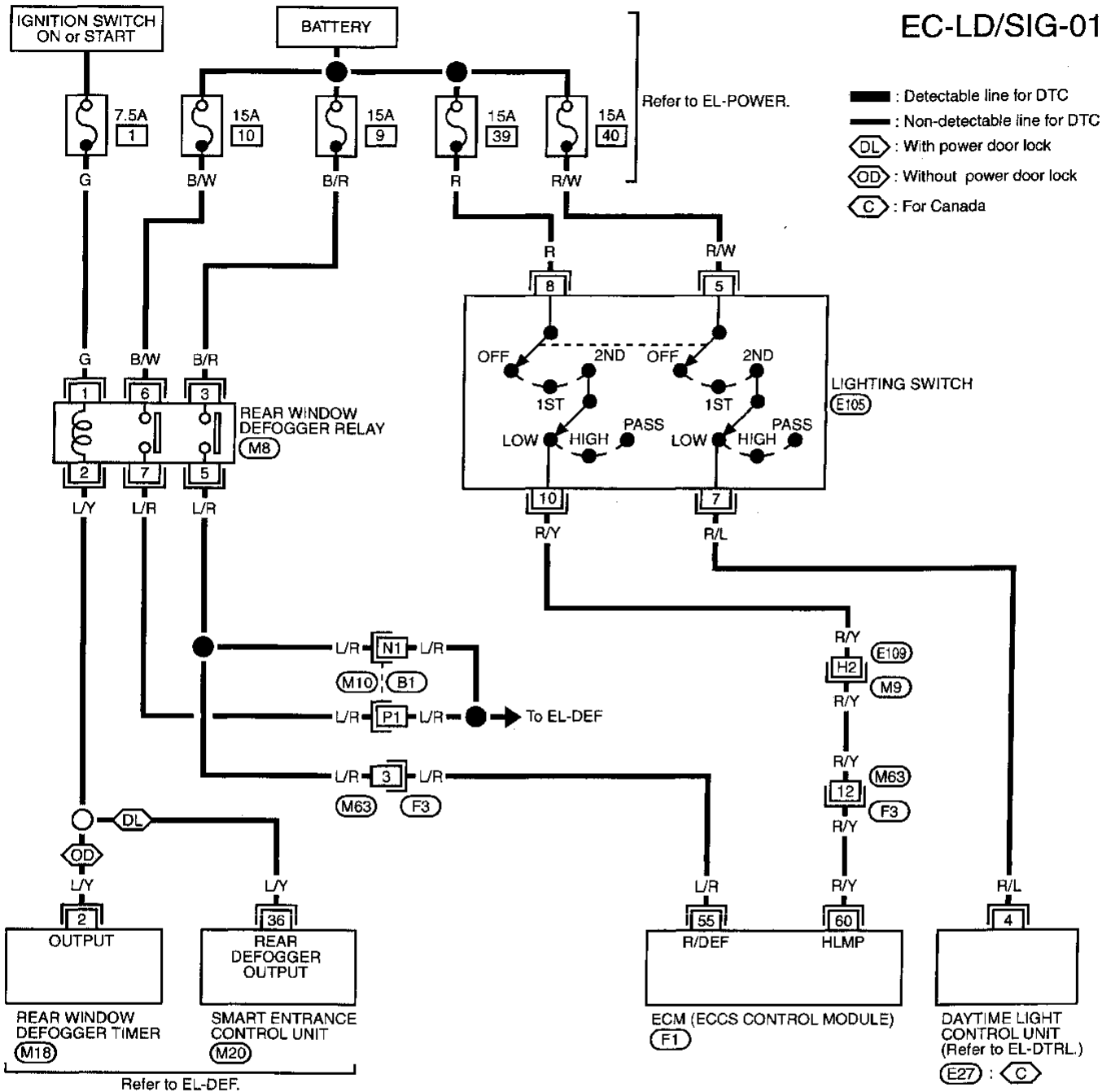
Replace 5th position switch.

GI
 MA
 EM
 LC
EC
 FE
 CL
 MT
 AT
 PD
 FA
 RA
 BR
 ST
 RS
 BT
 HA
 EL
 IDX

TROUBLE DIAGNOSIS FOR NON-DETECTABLE ITEMS

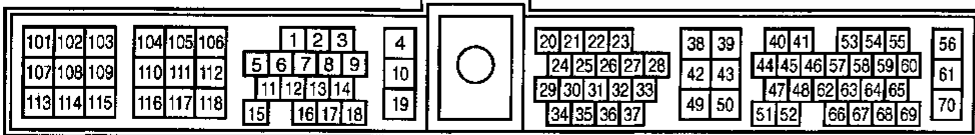
Electric Load Signal

EC-LD/SIG-01



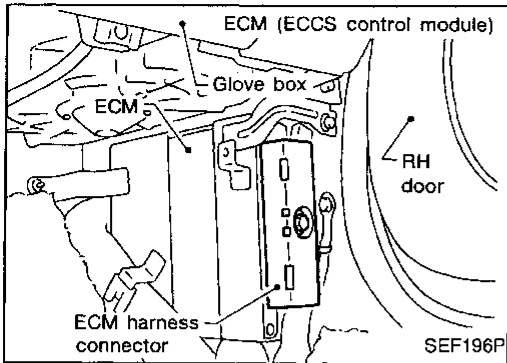
Refer to last page (Foldout page).

- (M10) (B1)
- (M63) (F3)
- (E109) (M9)
- (M20)



TROUBLE DIAGNOSIS FOR NON-DETECTABLE ITEMS

Electric Load Signal (Cont'd)



DIAGNOSTIC PROCEDURE

INSPECTION START

A

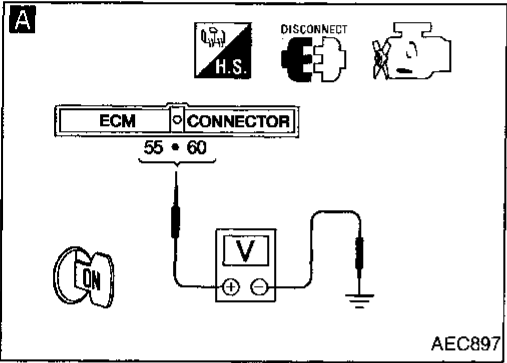
CHECK OVERALL FUNCTION.

1. Turn ignition switch "OFF".
2. Disconnect ECM harness connector.
3. Turn ignition switch "ON".
4. Check voltage between ECM terminal ⑤, ⑥ and ground with CONSULT or tester.

Voltage between ⑤ and ground:
 Rear window defogger "ON"
 Battery positive voltage
 Rear window defogger "OFF"
 0V

Voltage between ⑥ and ground:
 Lighting switch "ON"
 Battery positive voltage
 Lighting switch "OFF"
 0V

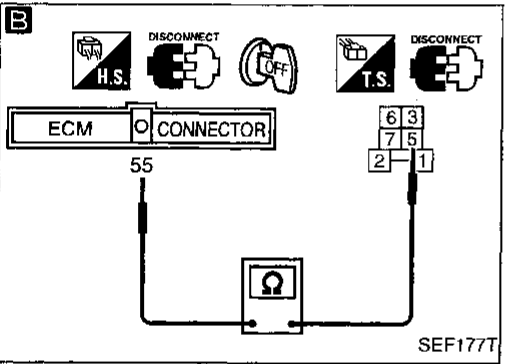
OK → INSPECTION END



Check if rear window defogger functions properly.

NG → Refer to EL section ("REAR WINDOW DEFOGGER").

OK →



B

CHECK INPUT SIGNAL CIRCUIT.

1. Turn rear window defogger switch and lighting switch "OFF".
2. Turn ignition switch "OFF".
3. Disconnect rear window defogger relay.
4. Disconnect lighting switch harness connector.
5. Disconnect ECM harness connector.
6. Check harness continuity between ECM terminal ⑤ and rear window defogger relay terminal ⑤, ECM terminal ⑥ and lighting switch terminal ⑩.

Continuity should exist.
 If OK, check harness for short to ground and short to power.

NG →

Check the following.

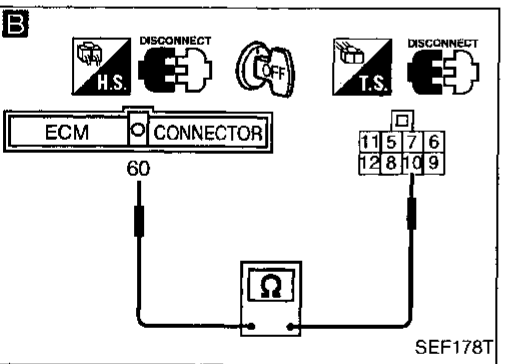
For terminal ⑤

- Harness connectors (M63, F3, M10, B1)
- Harness for open or short between ECM and rear window defogger relay

For terminal ⑥

- Harness connectors (M63, F3, M9, E109)
- Harness for open or short between ECM and lighting switch

If NG, repair open circuit or short to ground or short to power in harness or connectors.



OK →

Perform "TROUBLE DIAGNOSIS FOR INTERMITTENT INCIDENT", EC-96.

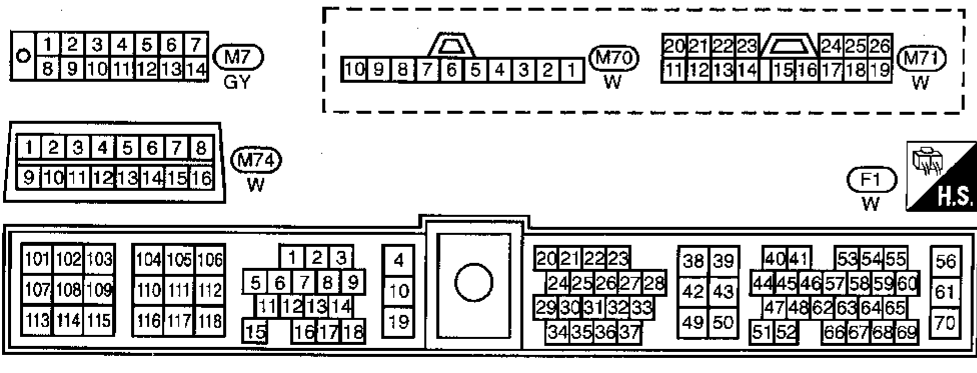
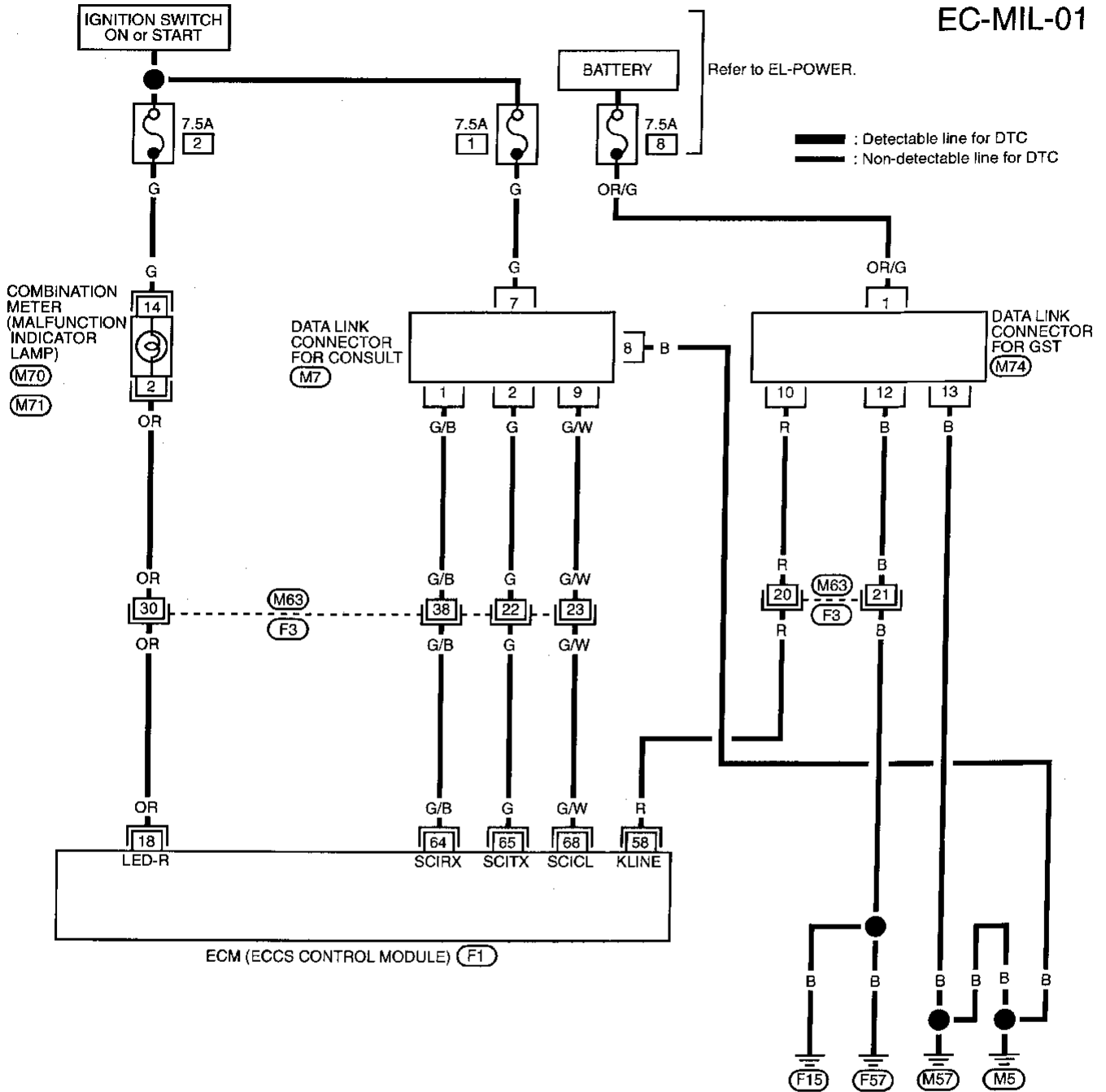
INSPECTION END

GI
MA
EM
LC
EC
FE
CL
MT
AT
PD
FA
RA
BR
ST
RS
BT
HA
EL
IDX

TROUBLE DIAGNOSIS FOR NON-DETECTABLE ITEMS

MIL & Data Link Connectors

EC-MIL-01



Refer to last page (Foldout page).
 (M63), (F3)

SERVICE DATA AND SPECIFICATIONS (SDS)

General Specifications

FUEL PRESSURE REGULATOR	
Fuel pressure at idling kPa (kg/cm ² , psi)	
Vacuum hose is connected	Approximately 235 (2.4, 34)
Vacuum hose is disconnected	Approximately 294 (3.0, 43)

Inspection and Adjustment

Idle speed*1	rpm	
No-load*2 (in "N" position)		700±50
Air conditioner: ON (in "N" position)		800 or more
Ignition timing		20°±2° BTDC
Throttle position sensor idle position	V	0.3 - 0.7

*1: Feedback controlled and needs no adjustments

*2: Under the following conditions:

- Air conditioner switch: OFF
- Electric load: OFF (Lights, heater, fan & rear defogger)

IGNITION COIL

Primary voltage	V	Battery voltage (11 - 14)
Primary resistance [at 20°C (68°F)]	Ω	Approximately 1.0
Secondary resistance [at 20°C (68°F)]	kΩ	Approximately 26.0

MASS AIR FLOW SENSOR

Supply voltage	V	Battery voltage (11 - 14)
Output voltage	V	1.3 - 1.7
Mass air flow	g·m/sec	1.5 - 4.5 at idle* 6.0 - 14.0 at 2,500 rpm*

*: Engine is warmed up sufficiently and idling under no-load.

ENGINE COOLANT TEMPERATURE SENSOR

Temperature °C (°F)	Resistance
20 (68)	2.1 - 2.9 kΩ
50 (122)	0.68 - 1.00 kΩ
90 (194)	0.236 - 0.260 kΩ

EGR TEMPERATURE SENSOR

EGR temperature °C (°F)	Voltage (V)	Resistance (MΩ)
0 (32)	4.81	7.9 - 9.7
50 (122)	2.82	0.57 - 0.70
100 (212)	0.8	0.08 - 0.10

FUEL PUMP

Resistance [at 25°C (77°F)]	Ω	0.2 - 5.0
-----------------------------	---	-----------

IACV-AAC VALVE

Resistance [at 25°C (77°F)]	Ω	Approximately 10.0
-----------------------------	---	--------------------

INJECTOR

Resistance [at 25°C (77°F)]	Ω	10 - 14
-----------------------------	---	---------

RESISTOR

Resistance [at 25°C (77°F)]	kΩ	Approximately 2.2
-----------------------------	----	-------------------

THROTTLE POSITION SENSOR

Accelerator pedal conditions	Resistance [at 25°C (77°F)]
Completely released	Approximately 0.5 kΩ
Partially released	0.5 - 4.0 kΩ
Completely depressed	Approximately 4.0 kΩ

SERVICE DATA AND SPECIFICATIONS (SDS)

Inspection and Adjustment (Cont'd)

CALCULATED LOAD VALUE

	Calculated load value %
At idle	10.0 - 24.0
At 2,500 rpm	11.0 - 25.0

INTAKE AIR TEMPERATURE SENSOR

Temperature °C (°F)	Resistance
20 (68)	2.1 - 2.9 kΩ
80 (176)	0.27 - 0.38 kΩ

FRONT HEATED OXYGEN SENSOR HEATER

Resistance [at 25°C (77°F)]	Ω	2.3 - 4.3
-----------------------------	---	-----------

REAR HEATED OXYGEN SENSOR HEATER

Resistance [at 25°C (77°F)]	Ω	2.3 - 4.3
-----------------------------	---	-----------

CRANKSHAFT POSITION SENSOR (OBD)

Resistance [at 20°C (68°F)]	Ω	166.5 - 203.5
-----------------------------	---	---------------