

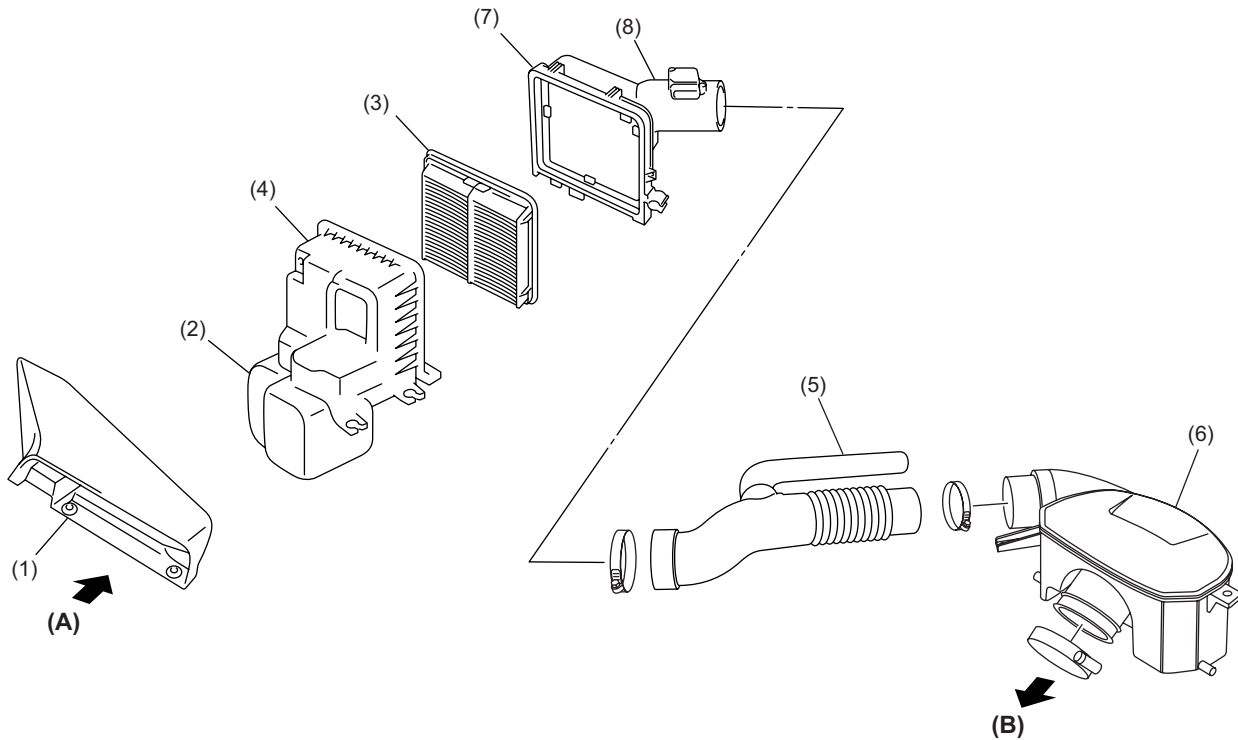
**INTAKE (INDUCTION)
(H4SO U5)**

GENERAL

INTAKE (INDUCTION)

1. General

The intake system consists of an intake duct, a resonator chamber, and an air cleaner element housed in its case. The resonator chamber effectively reduces the intake noise level. The air cleaner case is provided with a hydrocarbon adsorbing filter.



IN-02085

- (1) Air intake duct
- (2) Resonator
- (3) Air cleaner element
- (4) Air cleaner case (front)
- (5) Intake duct
- (6) Air intake chamber
- (7) Air cleaner case (rear)
- (8) Mass air flow and intake air temperature sensor

- (A) Outside air
- (B) To throttle body