

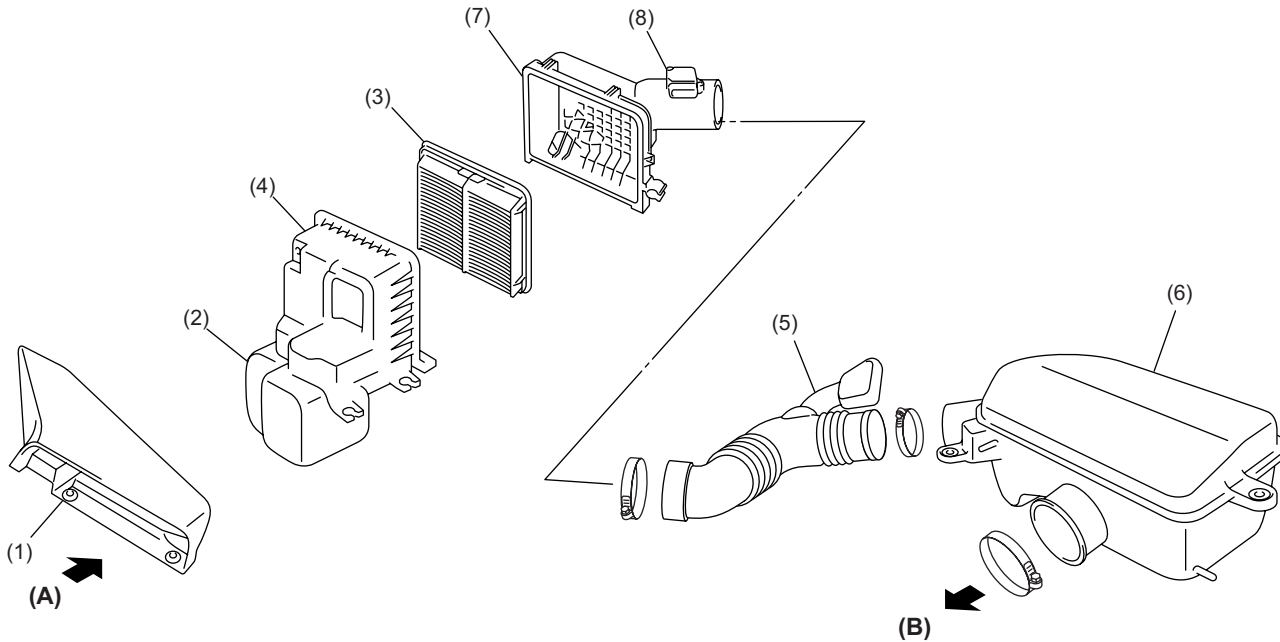
INTAKE (INDUCTION) (H4SO)

GENERAL

INTAKE (INDUCTION)

1. General

The intake system consists of an intake duct, a resonator chamber, and an air cleaner element housed in its case. The resonator chamber effectively reduces the intake noise level.



IN-02086

- | | |
|---|----------------------|
| (1) Air intake duct | (A) Outside air |
| (2) Resonator | (B) To throttle body |
| (3) Air cleaner element | |
| (4) Air cleaner case (front) | |
| (5) Intake duct | |
| (6) Air intake chamber | |
| (7) Air cleaner case (rear) | |
| (8) Mass air flow and intake air temperature sensor | |