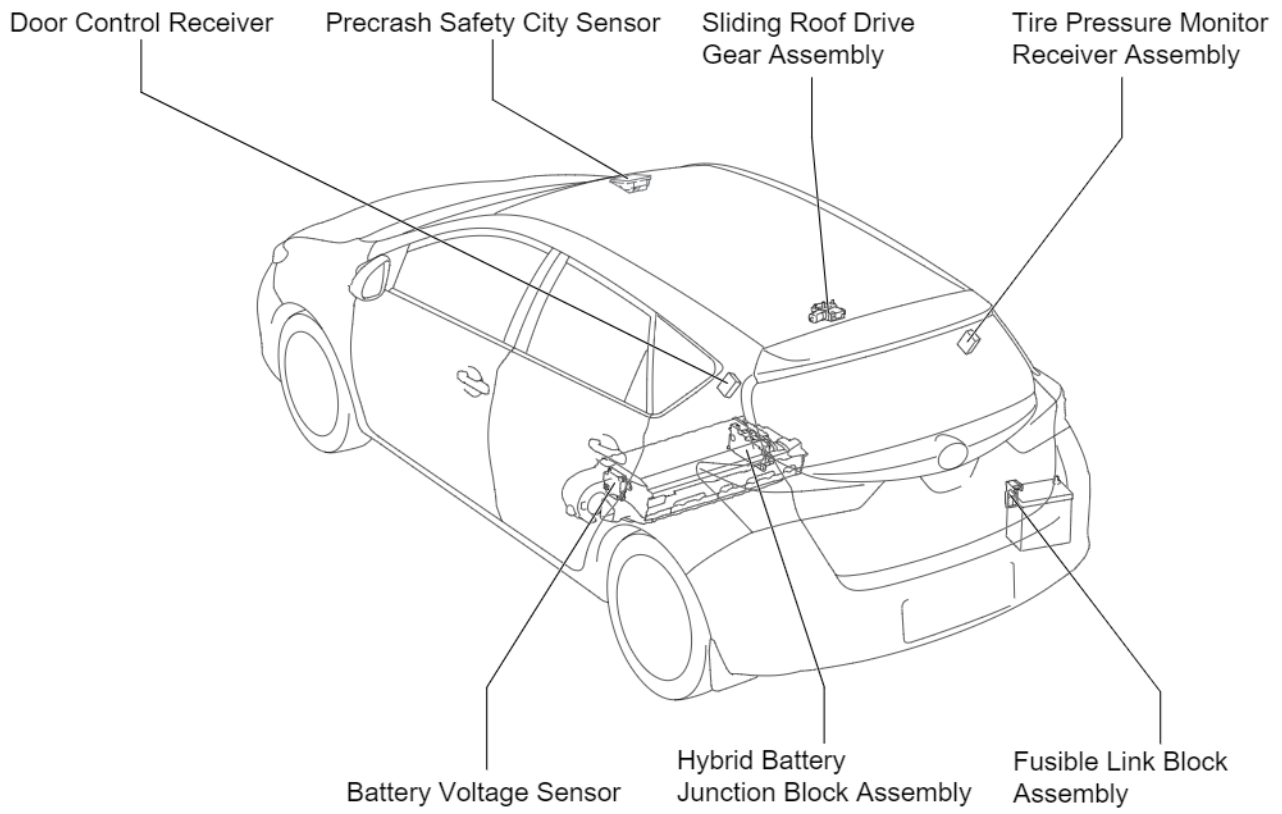
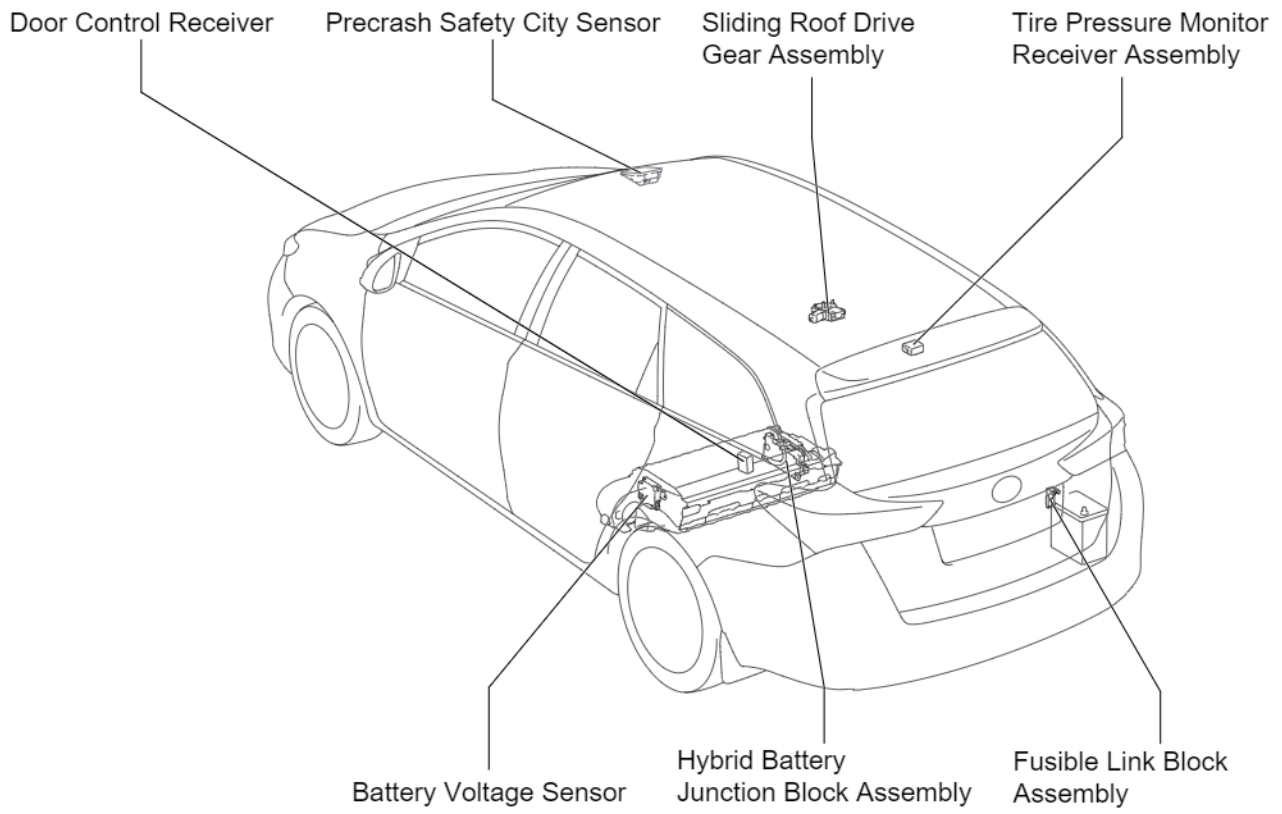


[Body H/B]

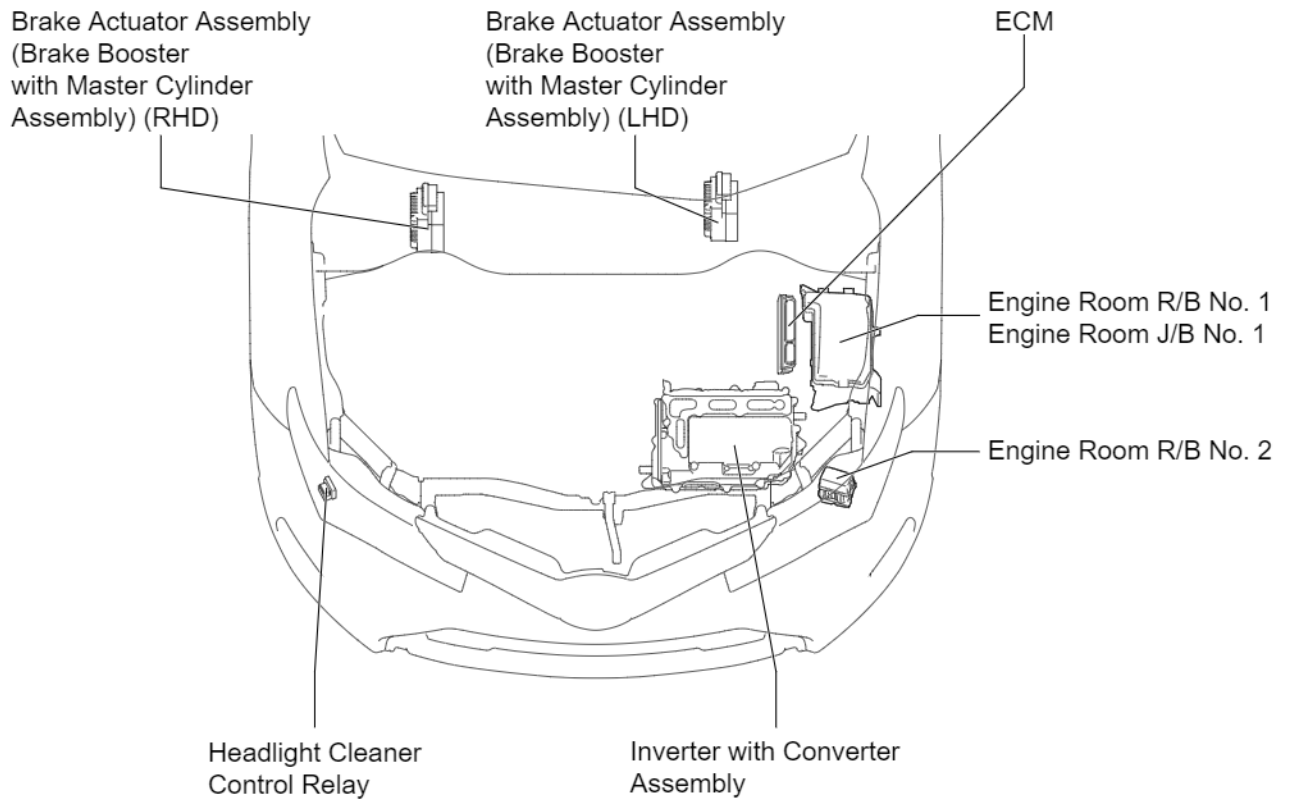


[Body W/G]

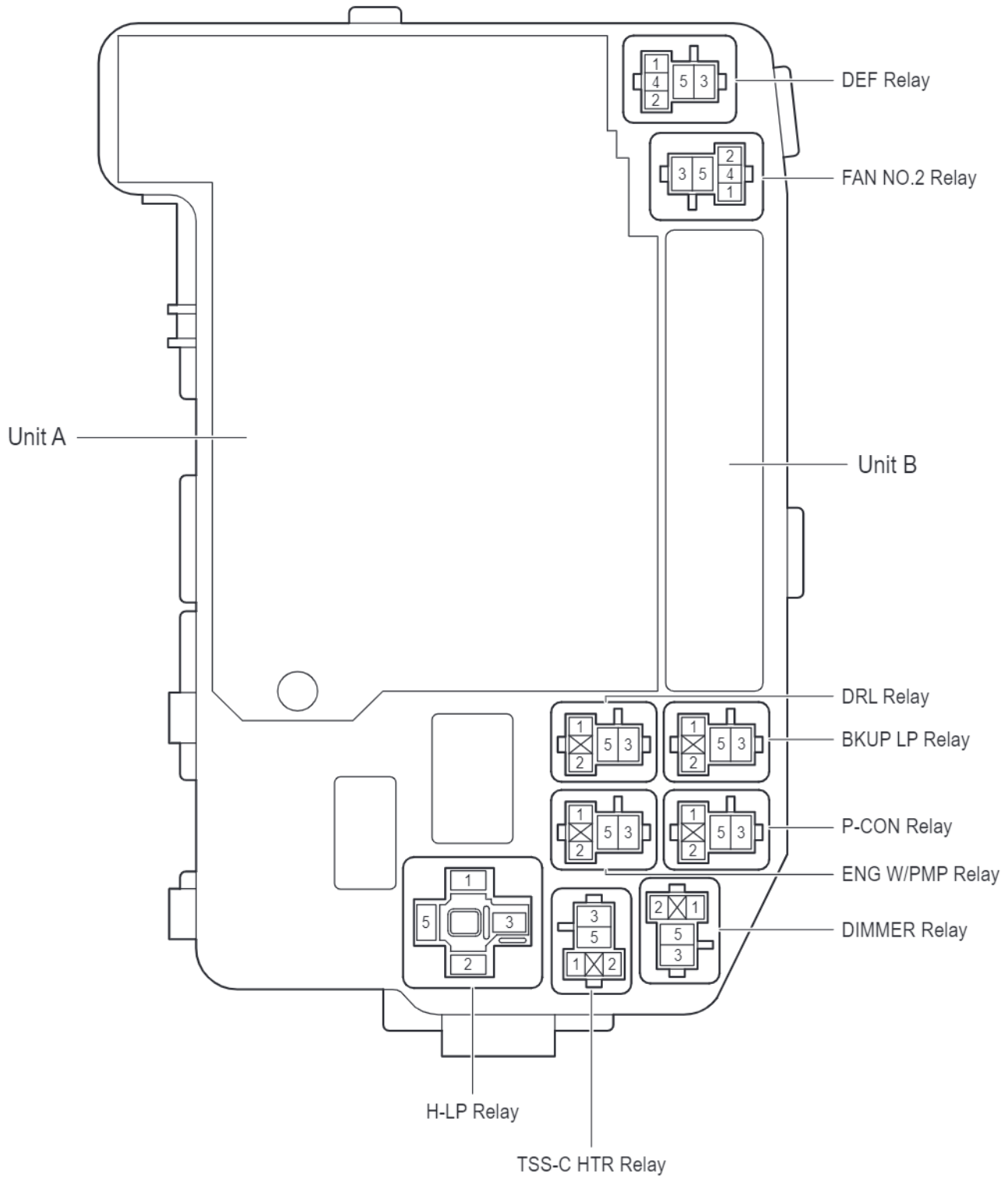


cardiagn.com

[Engine Compartment]

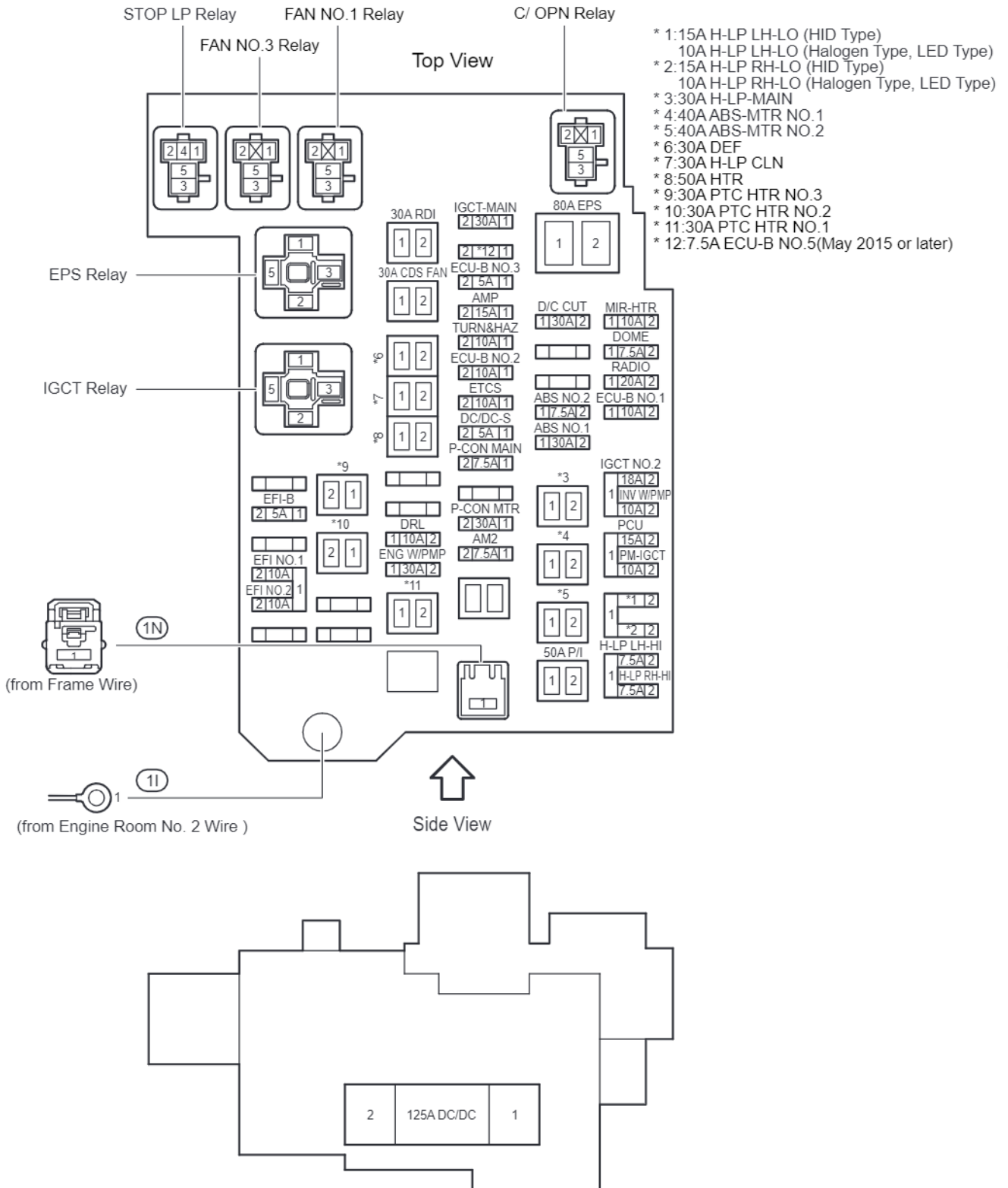


① : Engine Room R/B No. 1	Left Engine Compartment
② : Engine Room J/B No. 1	



cardiagn.com

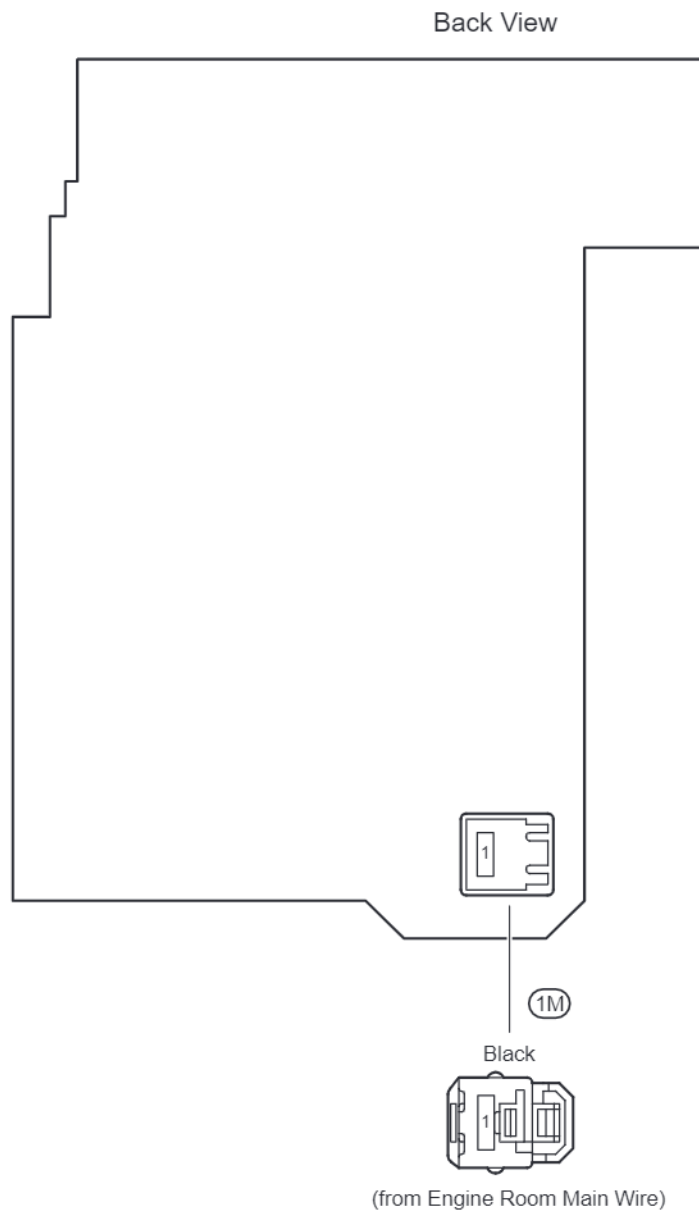
Unit A



cardiagn.com

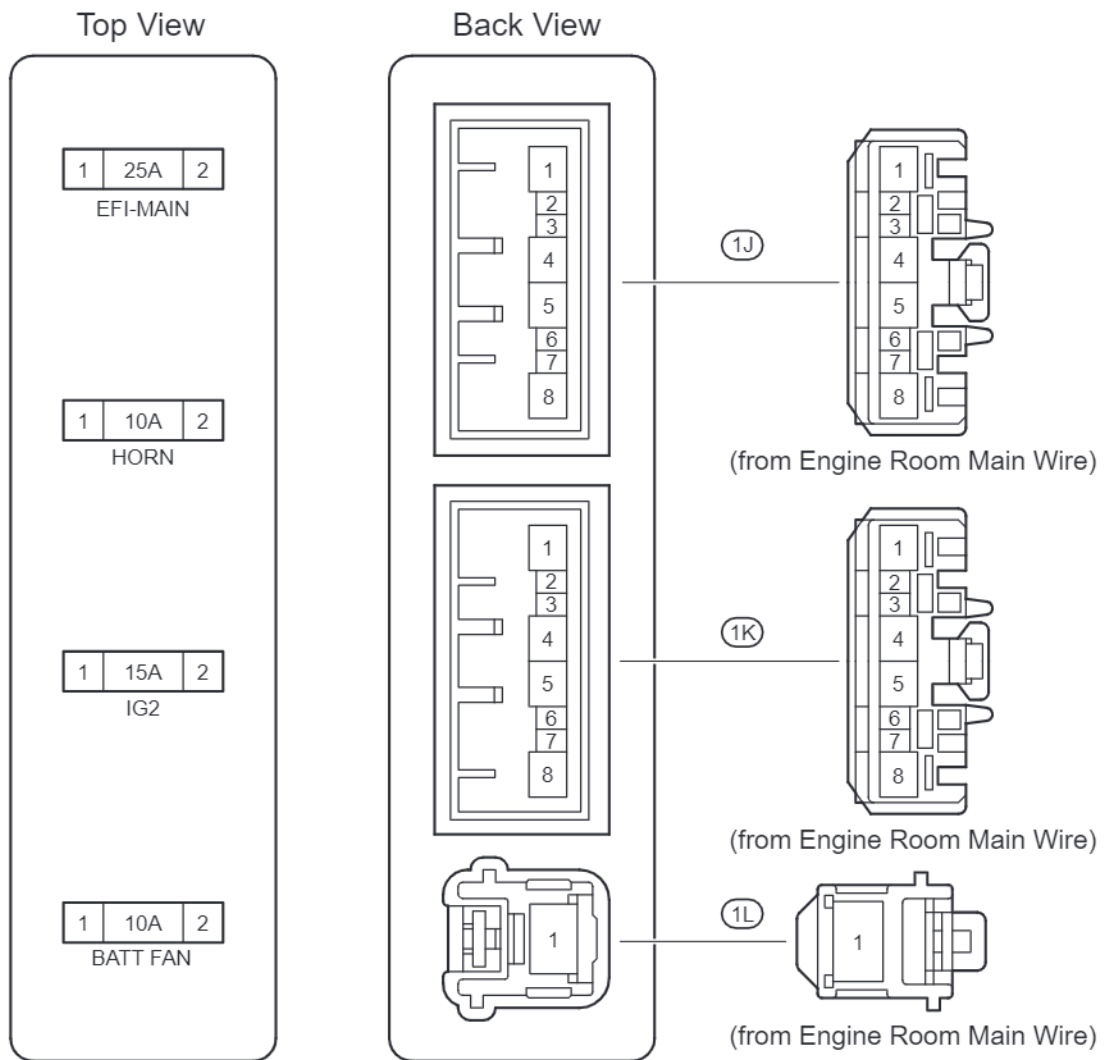
① : Engine Room R/B No. 1	Left Engine Compartment
② : Engine Room J/B No. 1	

Unit A



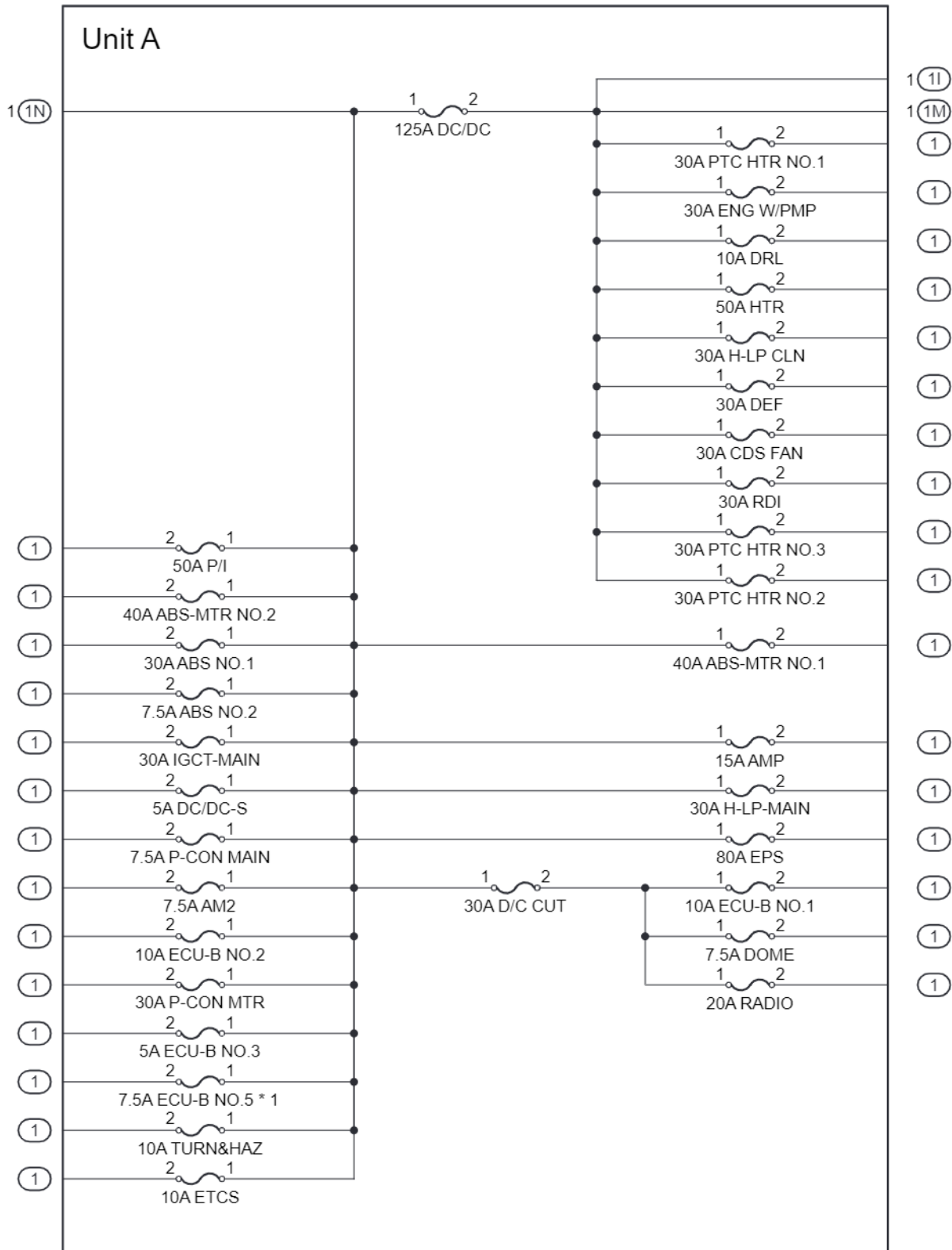
cardiagn.com

Unit B

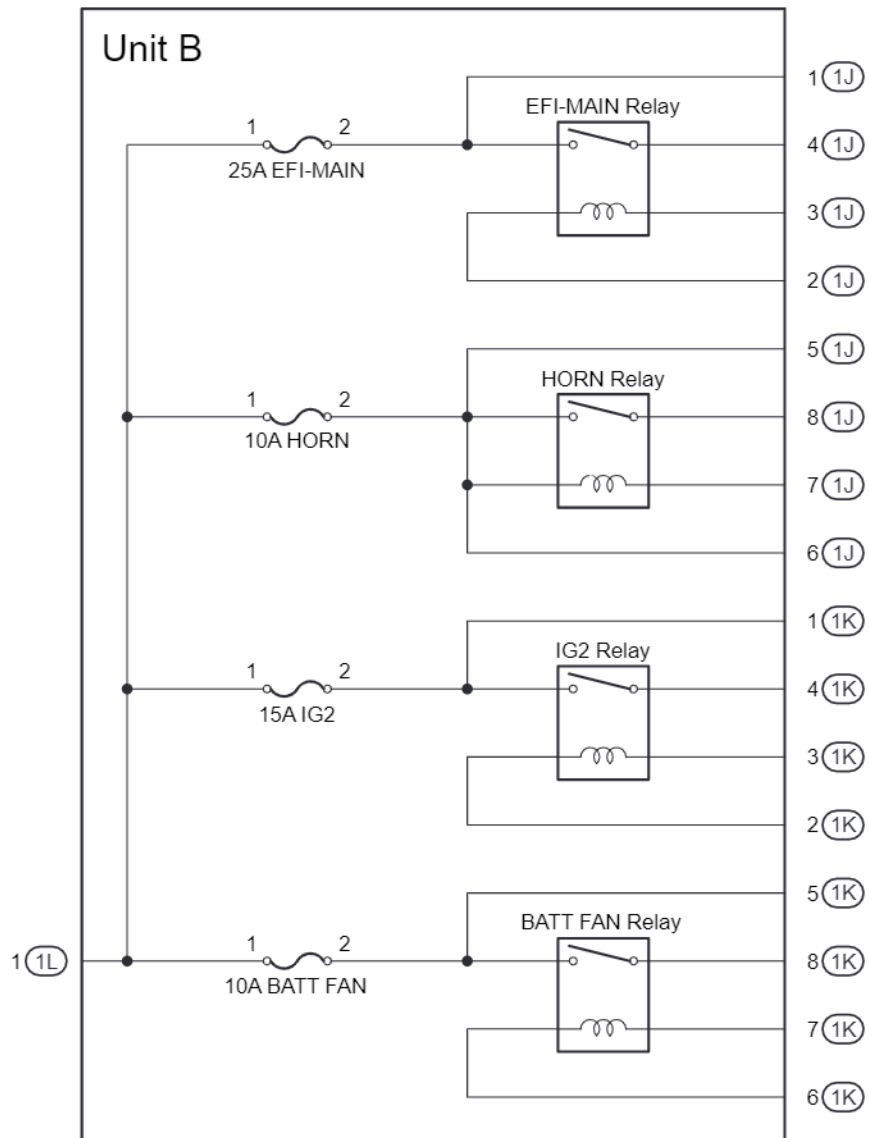


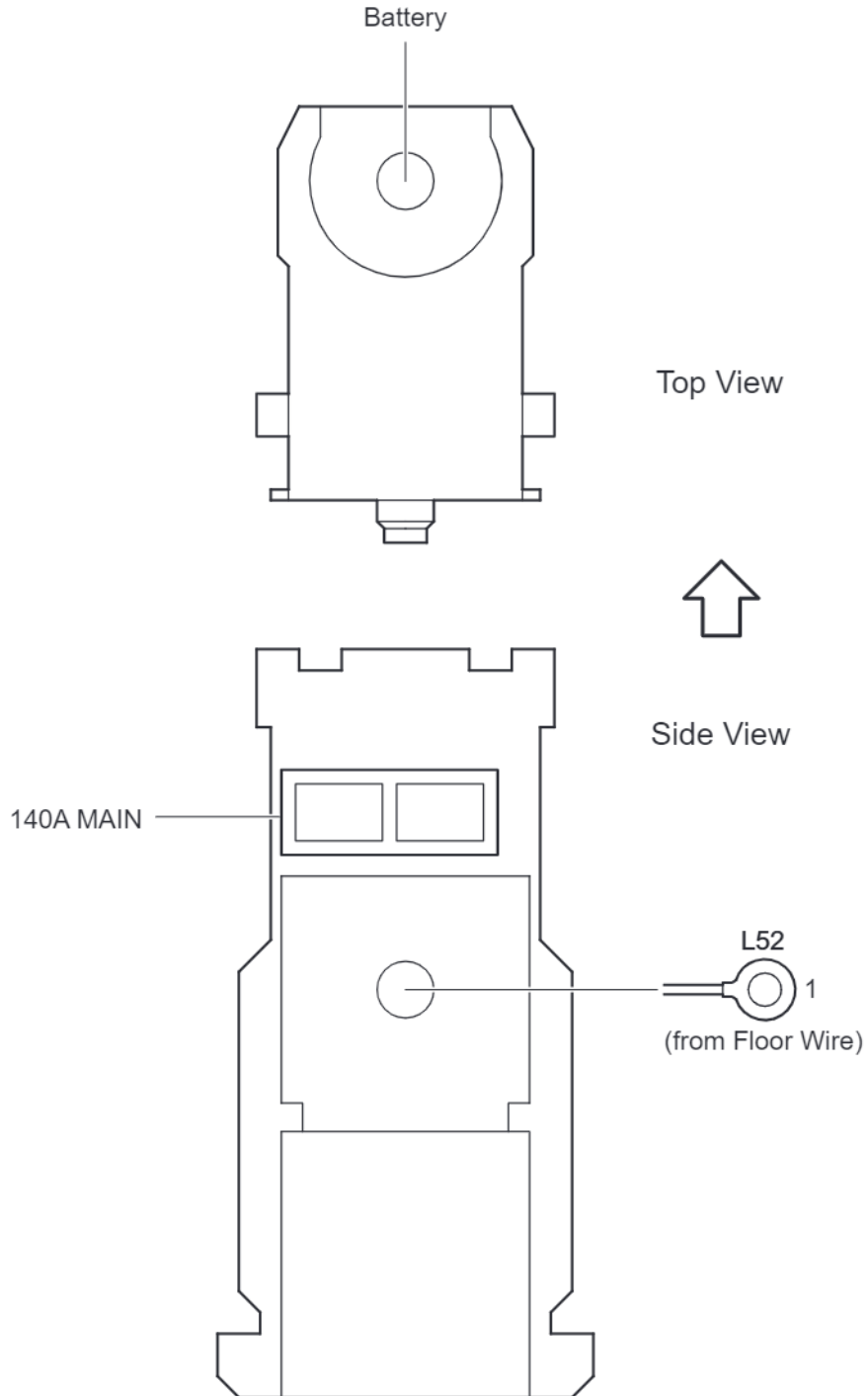
[Engine Room R/B No.1 and Engine Room J/B No.1 Inner Circuit]

* 1:May 2015 or later

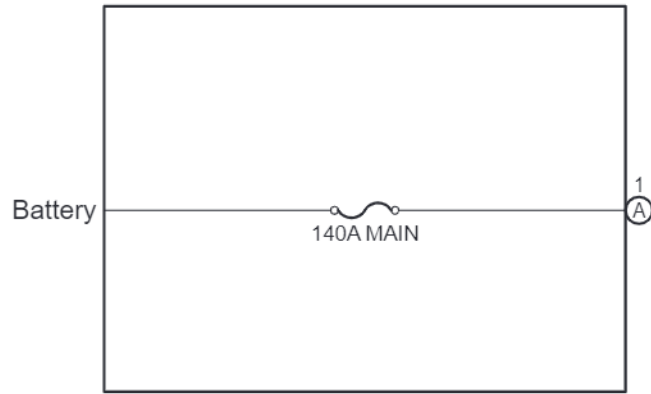


cardiagn.com

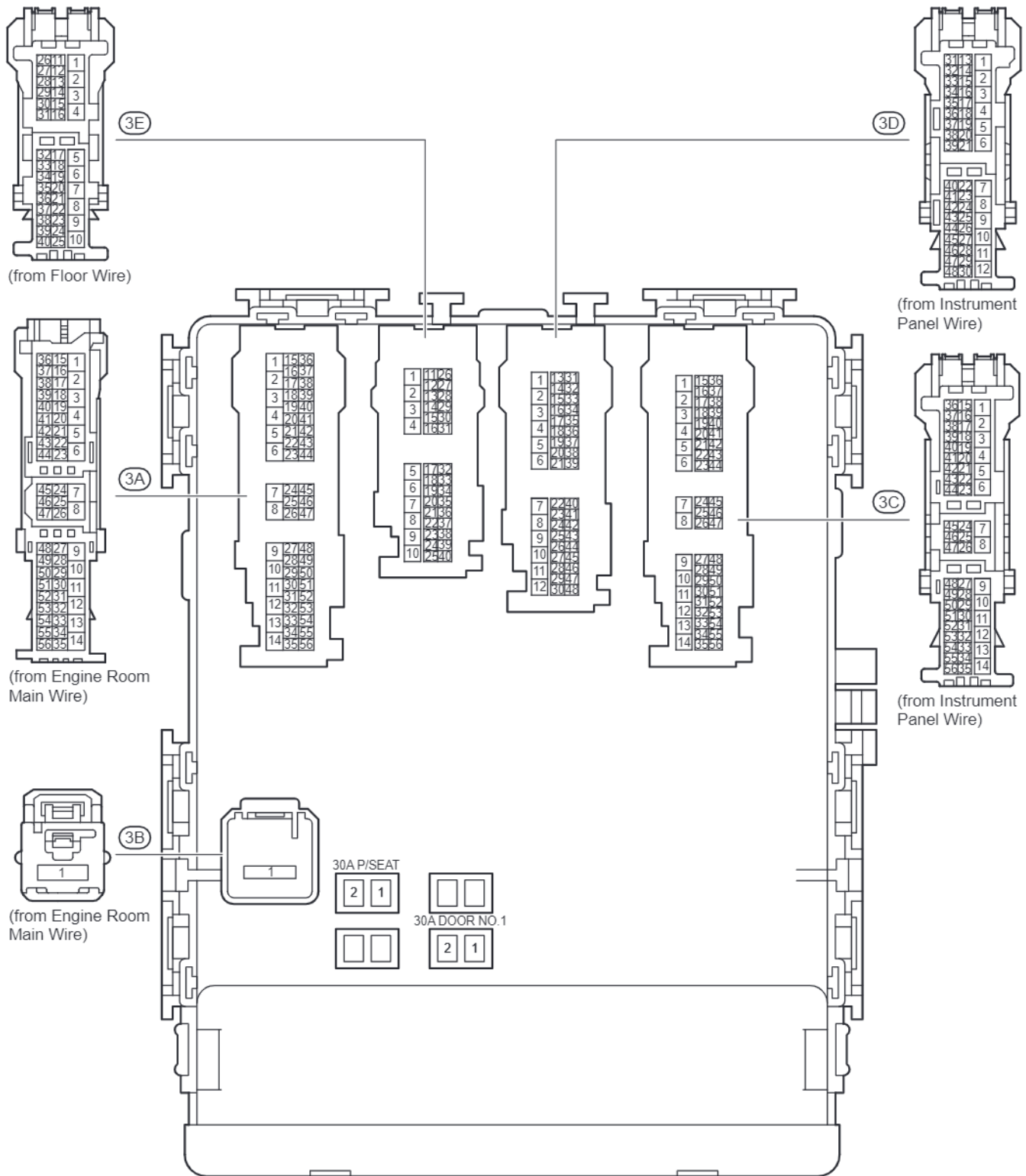


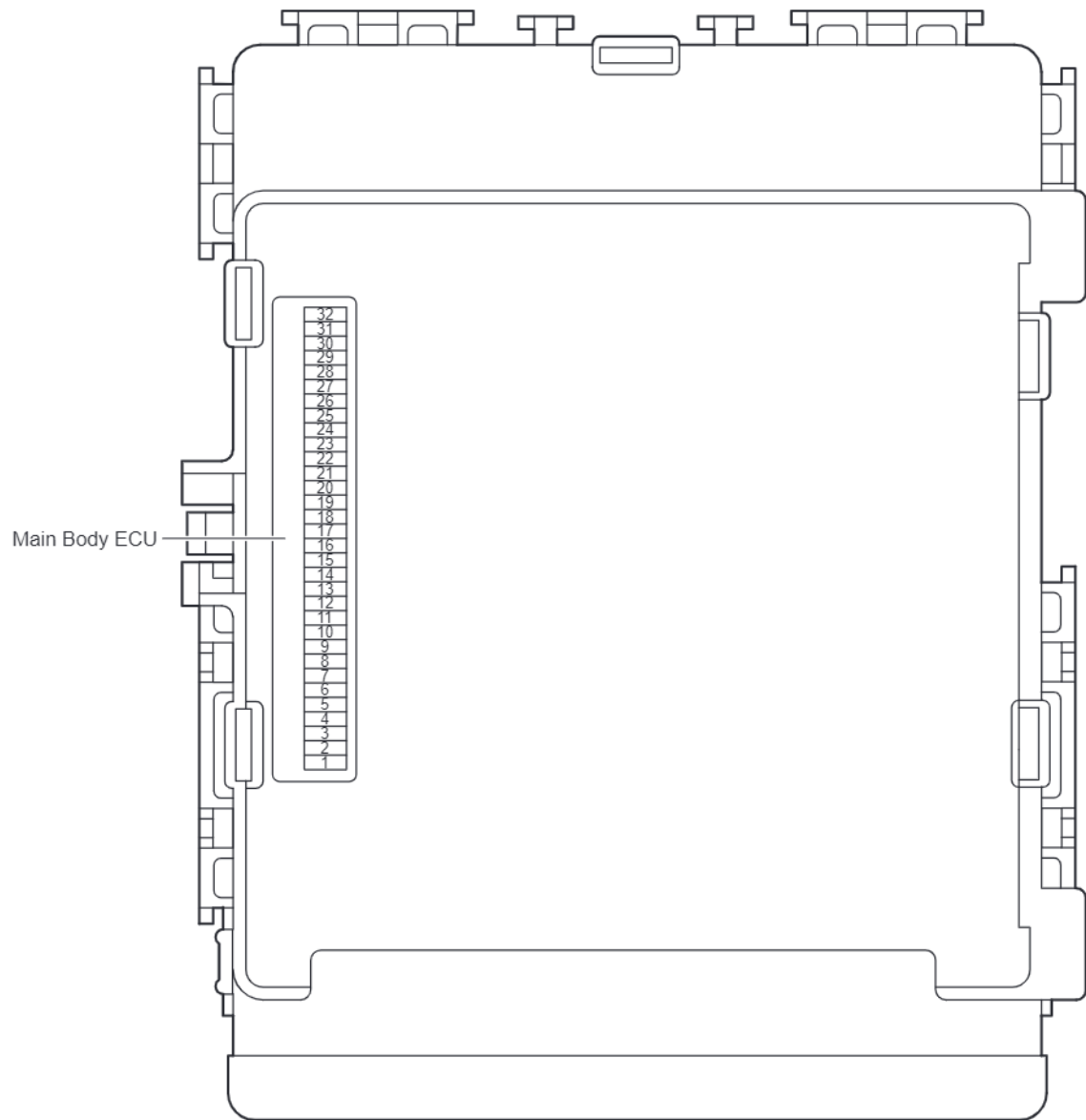


L52(A)
Fusible Link Block Assembly



○ : Instrument Panel J/B Assembly Instrument Panel Reinforcement

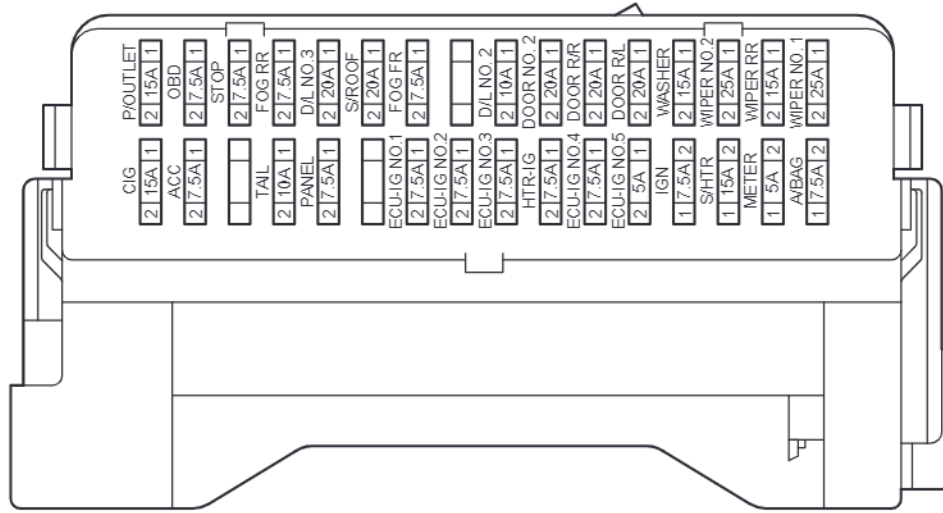




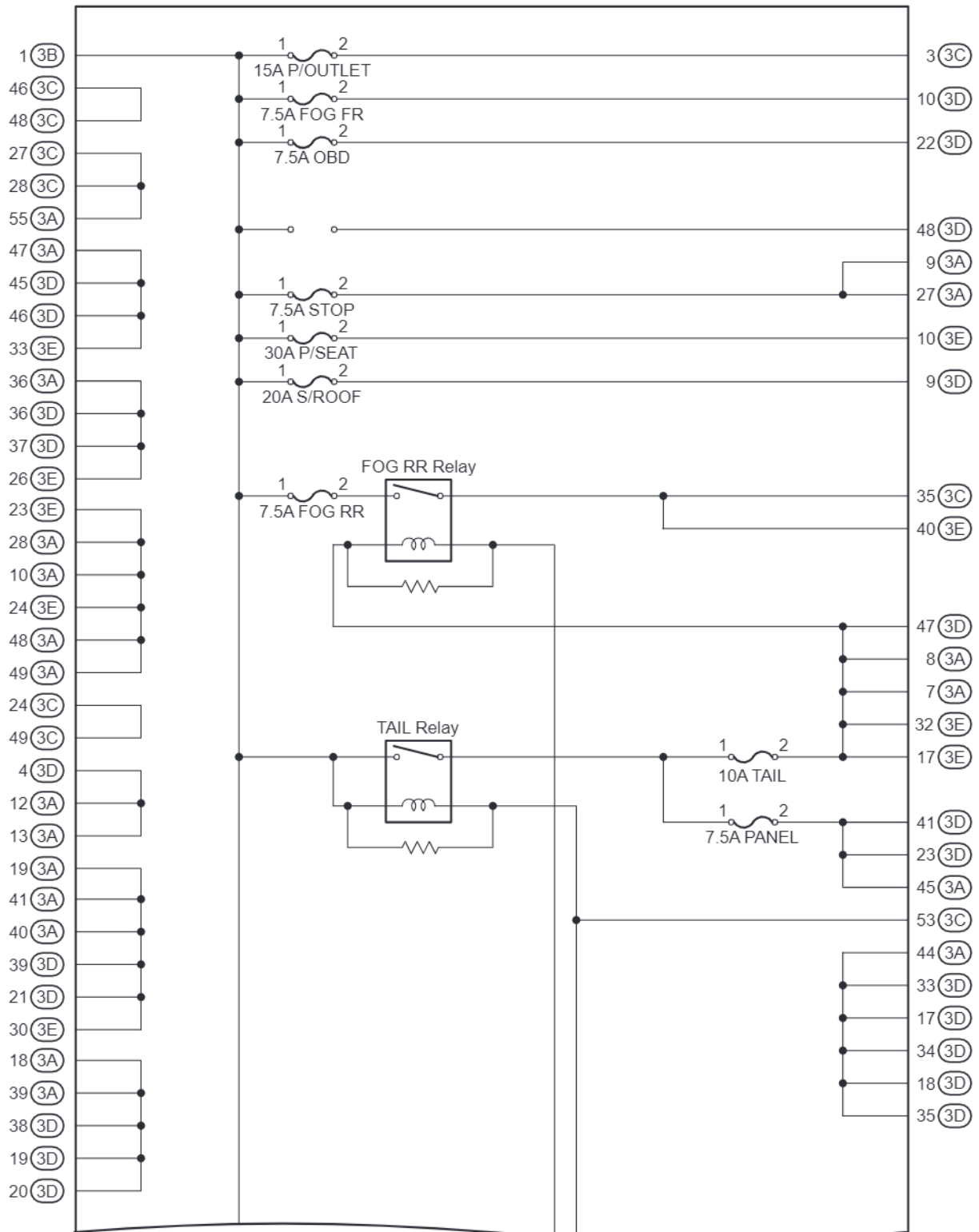


: Instrument Panel J/B Assembly

Instrument Panel Reinforcement



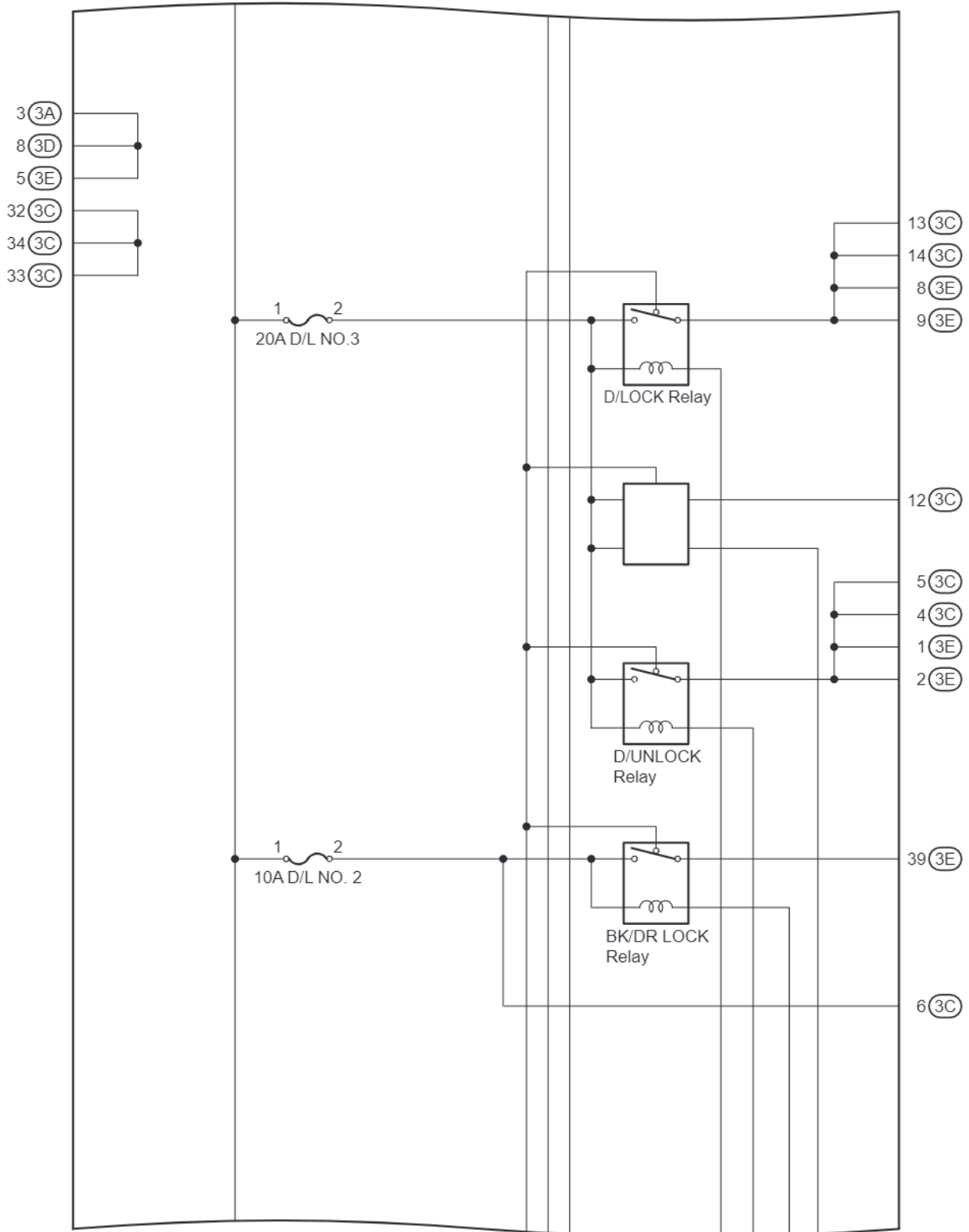
[Instrument Panel J/B Assembly Inner Circuit]



(Cont. Next Page)

[Instrument Panel J/B Assembly Inner Circuit]

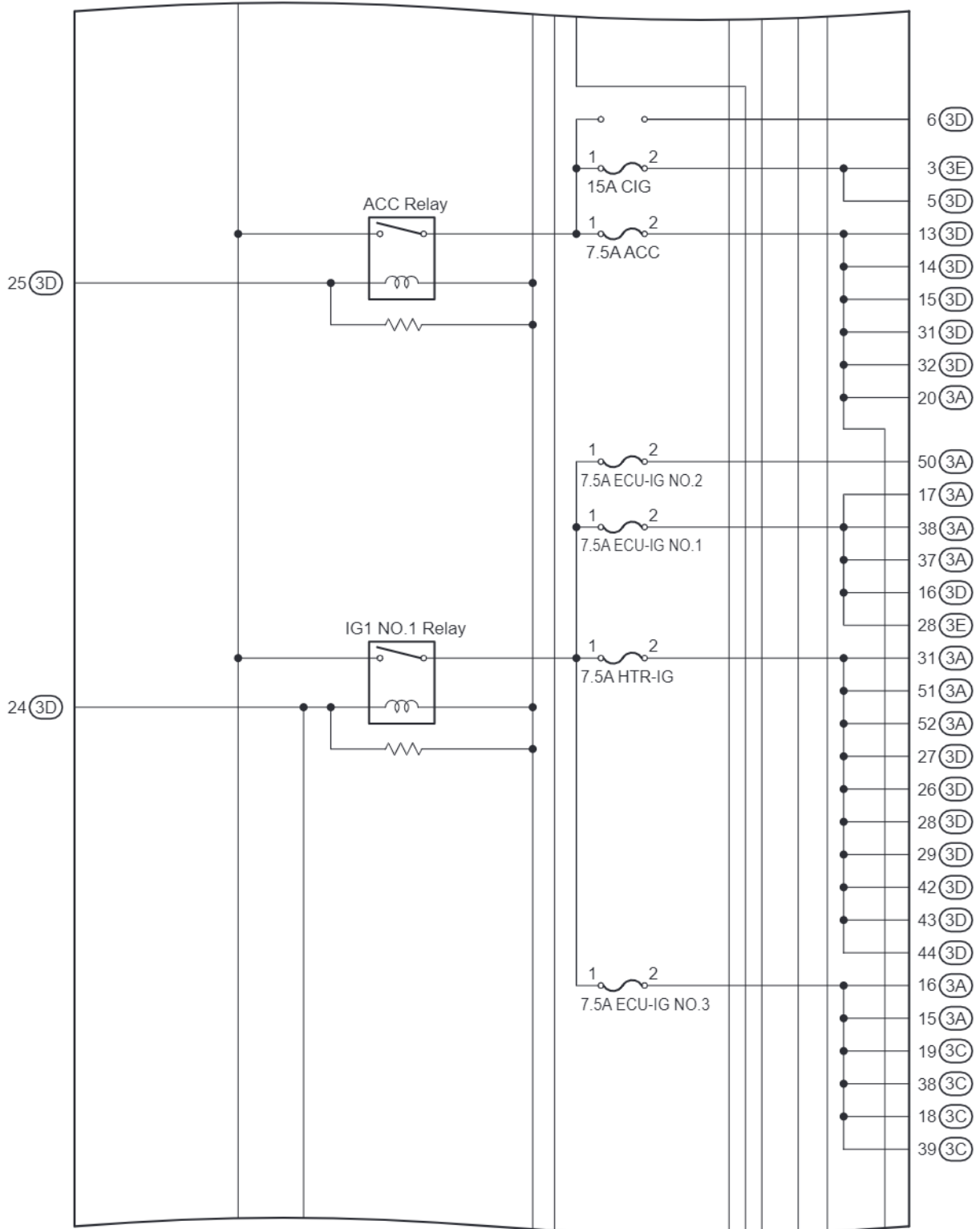
(Cont'd)



(Cont. Next Page)

[Instrument Panel J/B Assembly Inner Circuit]

(Cont'd)

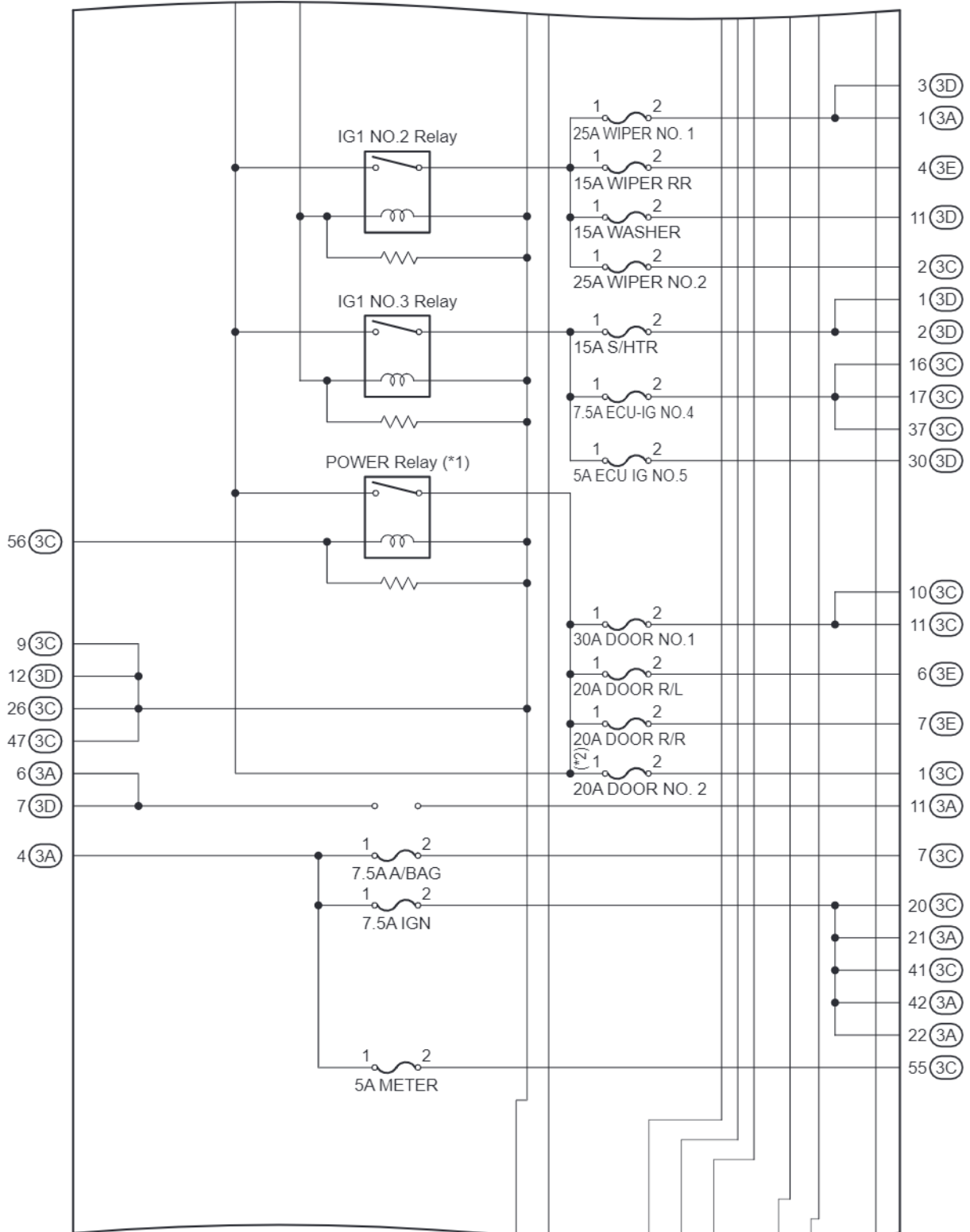


(Cont. Next Page)

[Instrument Panel J/B Assembly Inner Circuit]

* 1: Driver's Door Only Jam Protection
 * 2: 4-Door Jam Protection

(Cont'd)

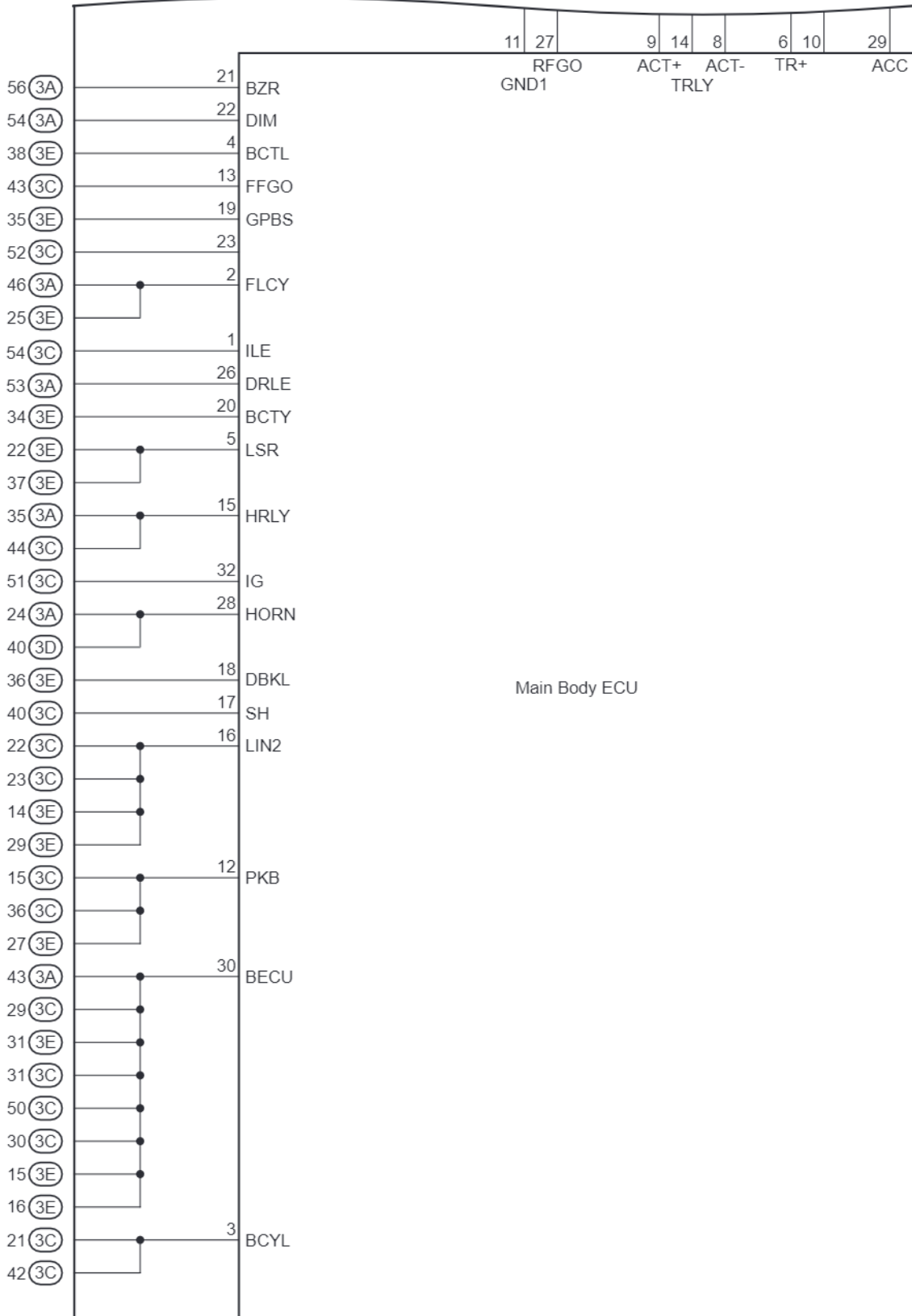


(Cont. Next Page)

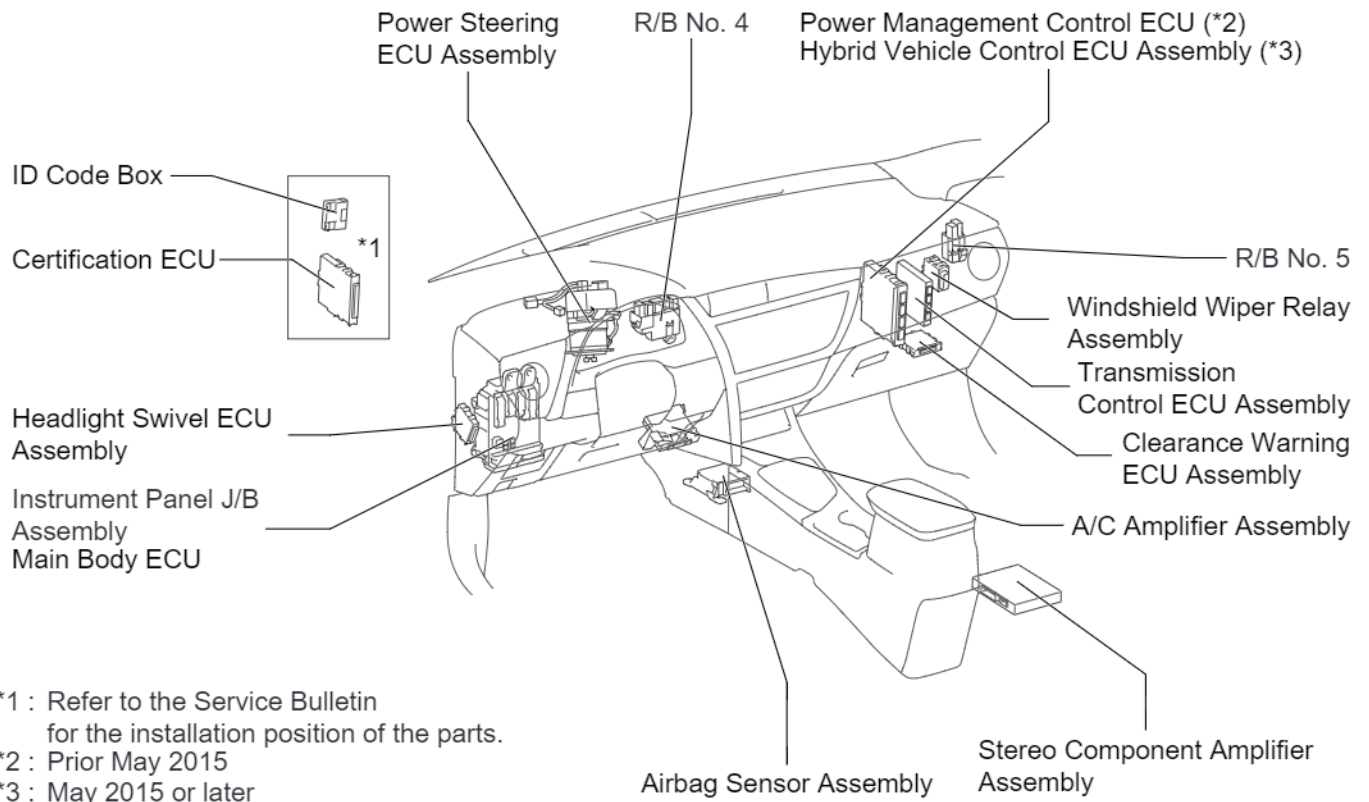
cardiagn.com

[Instrument Panel J/B Assembly Inner Circuit]

(Cont'd)

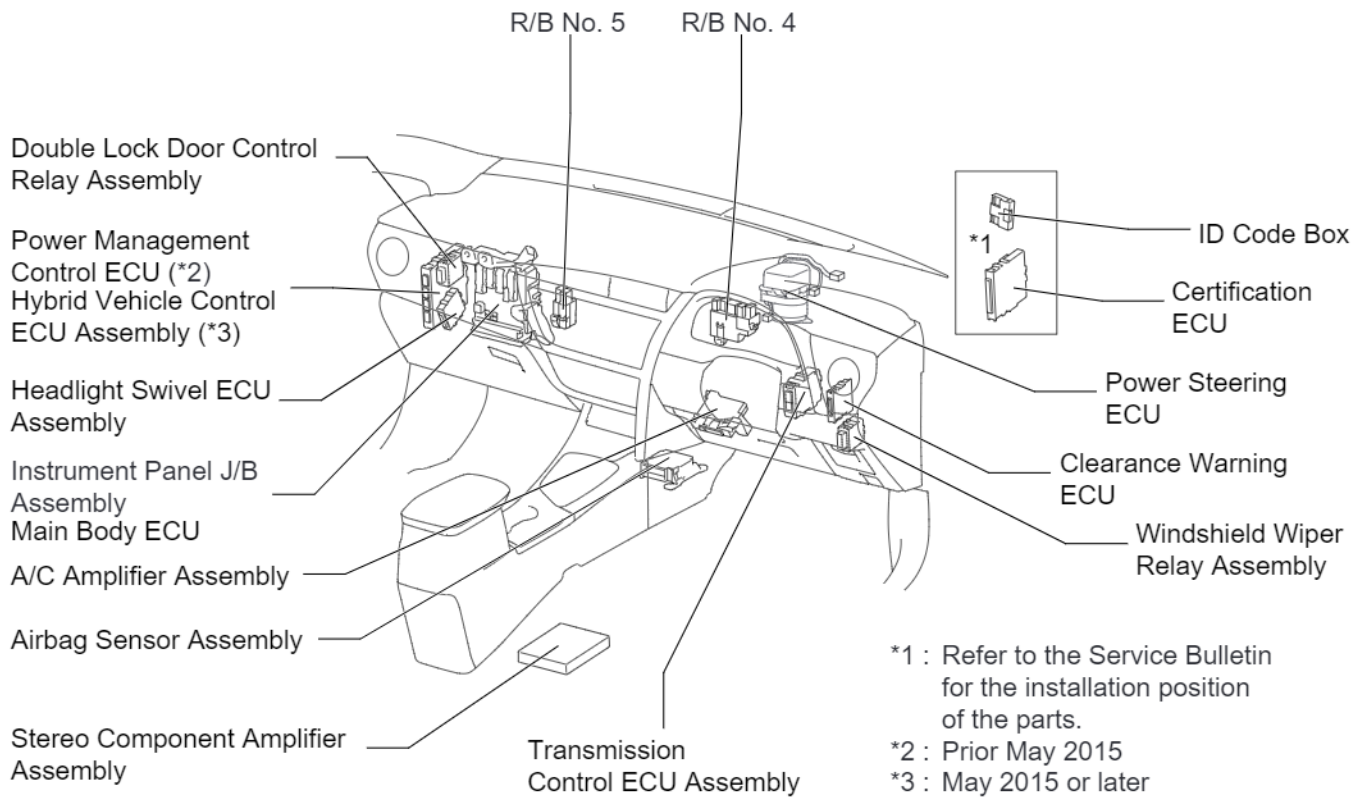


[Instrument Panel]



cardiagn.com

[Instrument Panel]



2 : Engine Room R/B No.2 Left Engine Compartment

